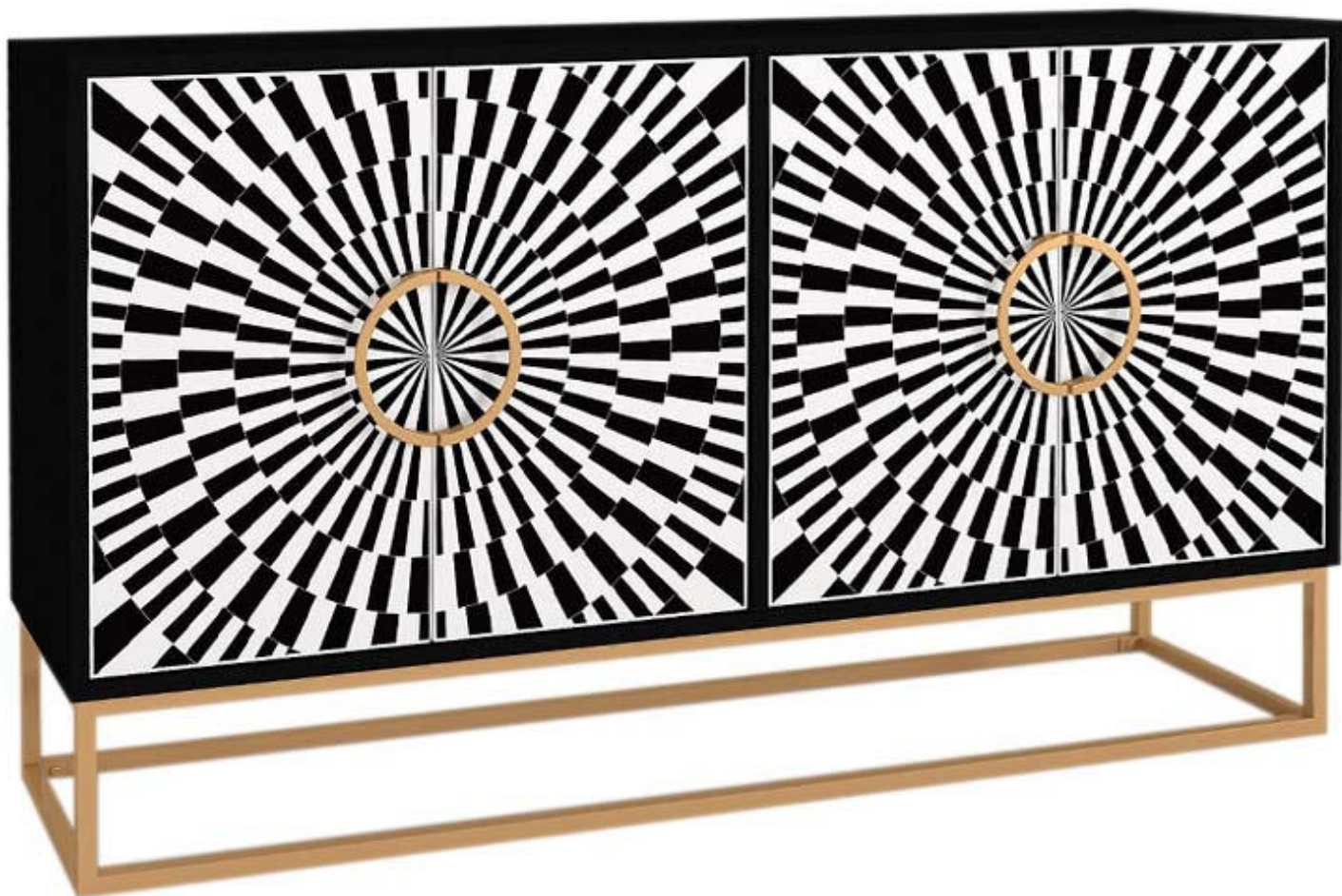
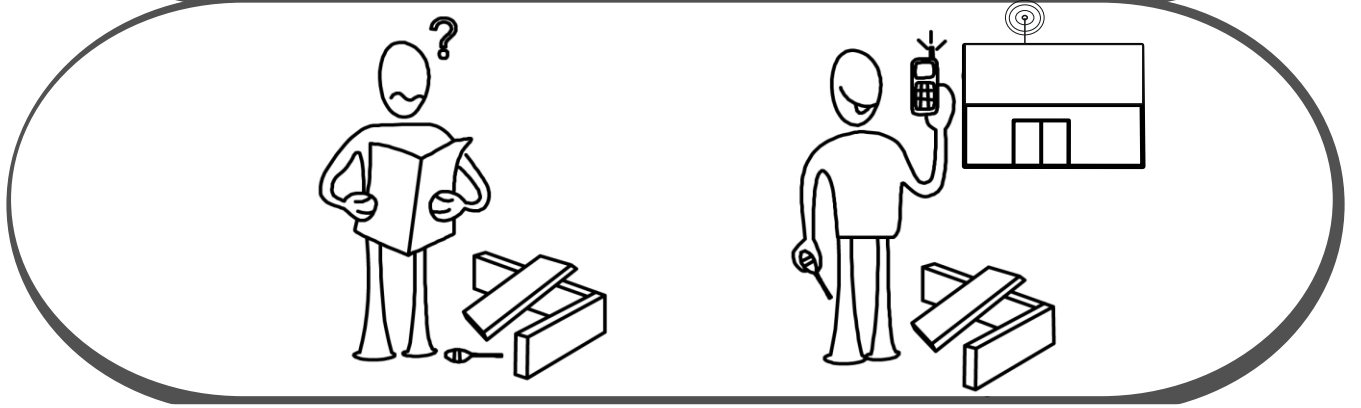
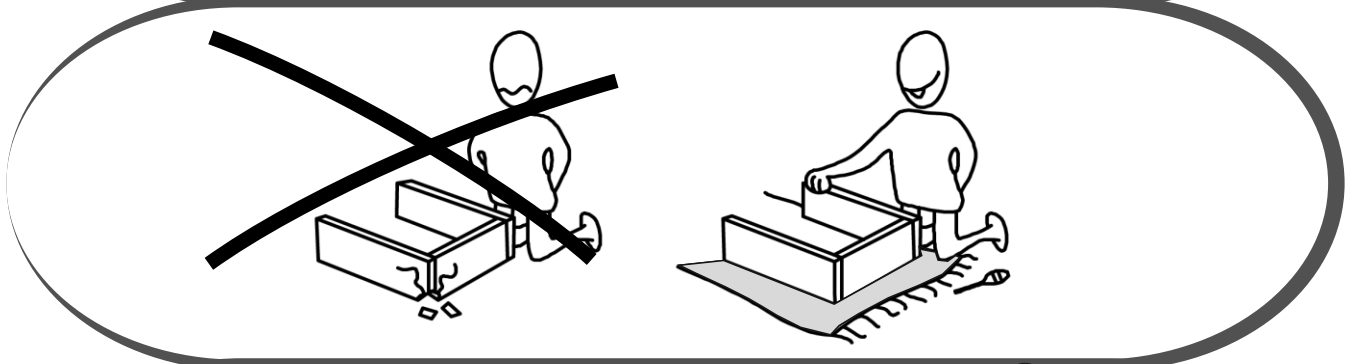
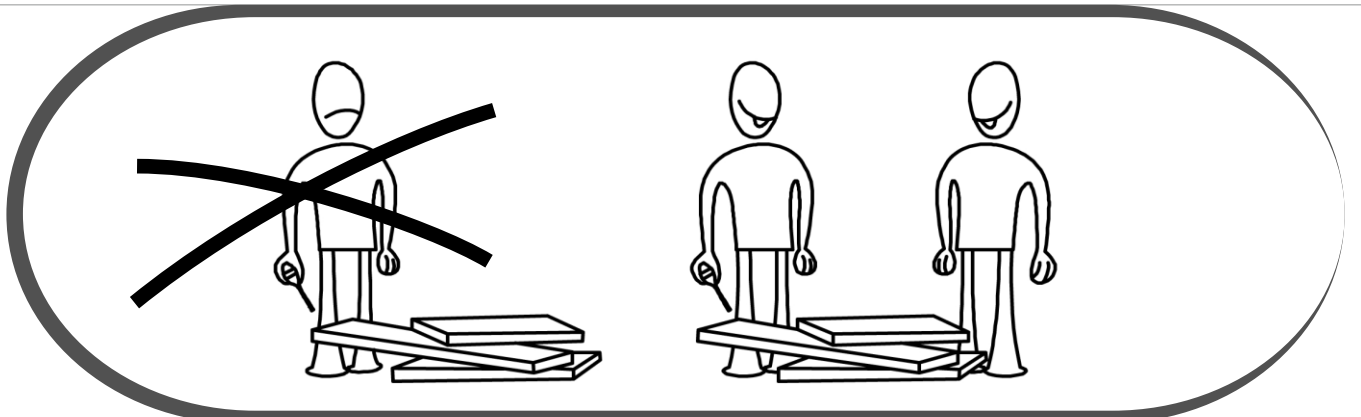
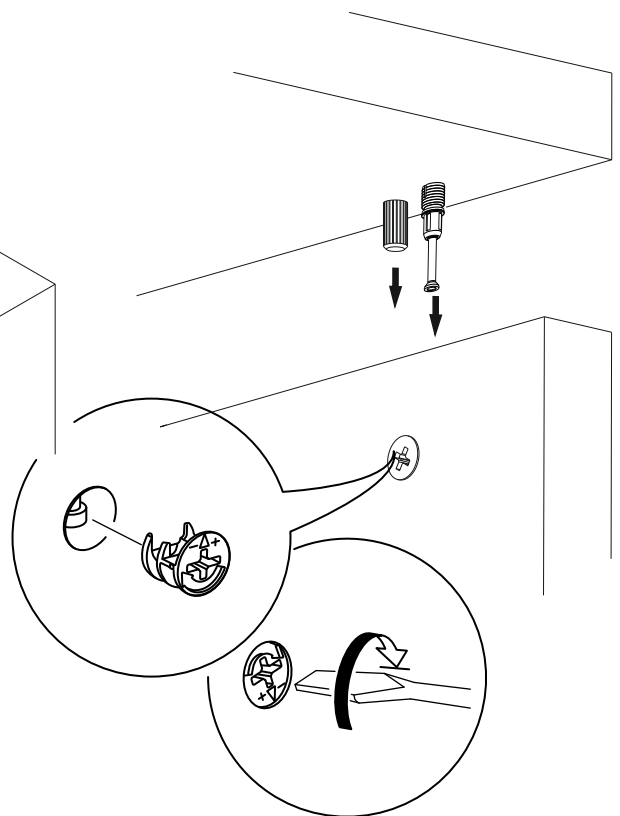
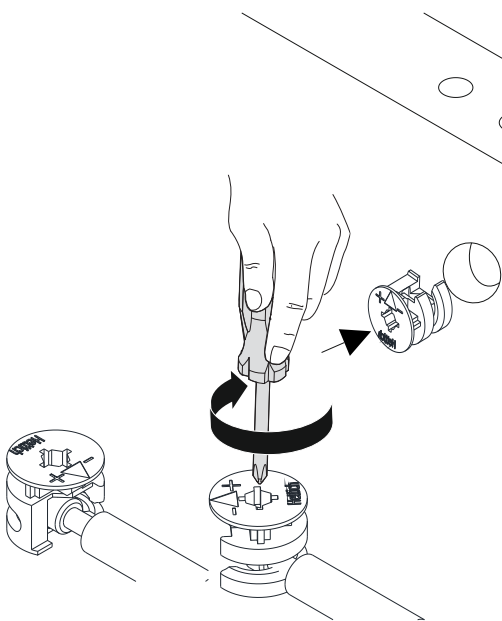
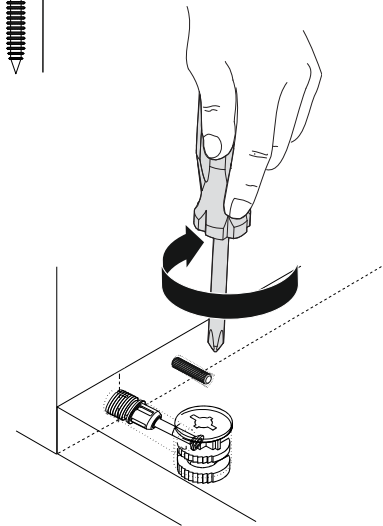
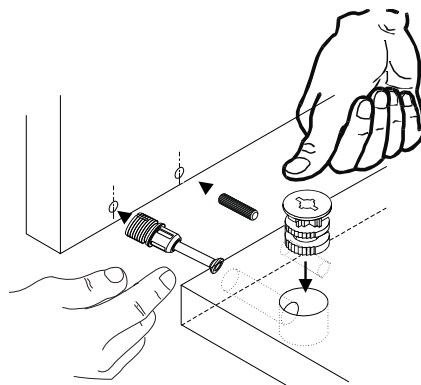
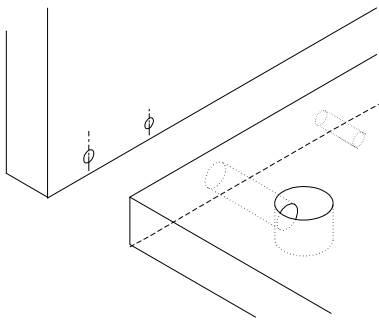
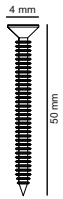
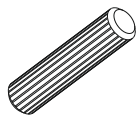
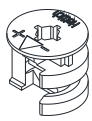
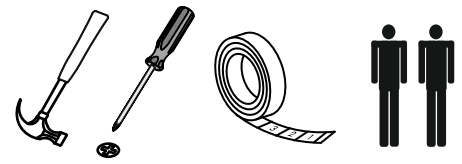


GP042-0224,1





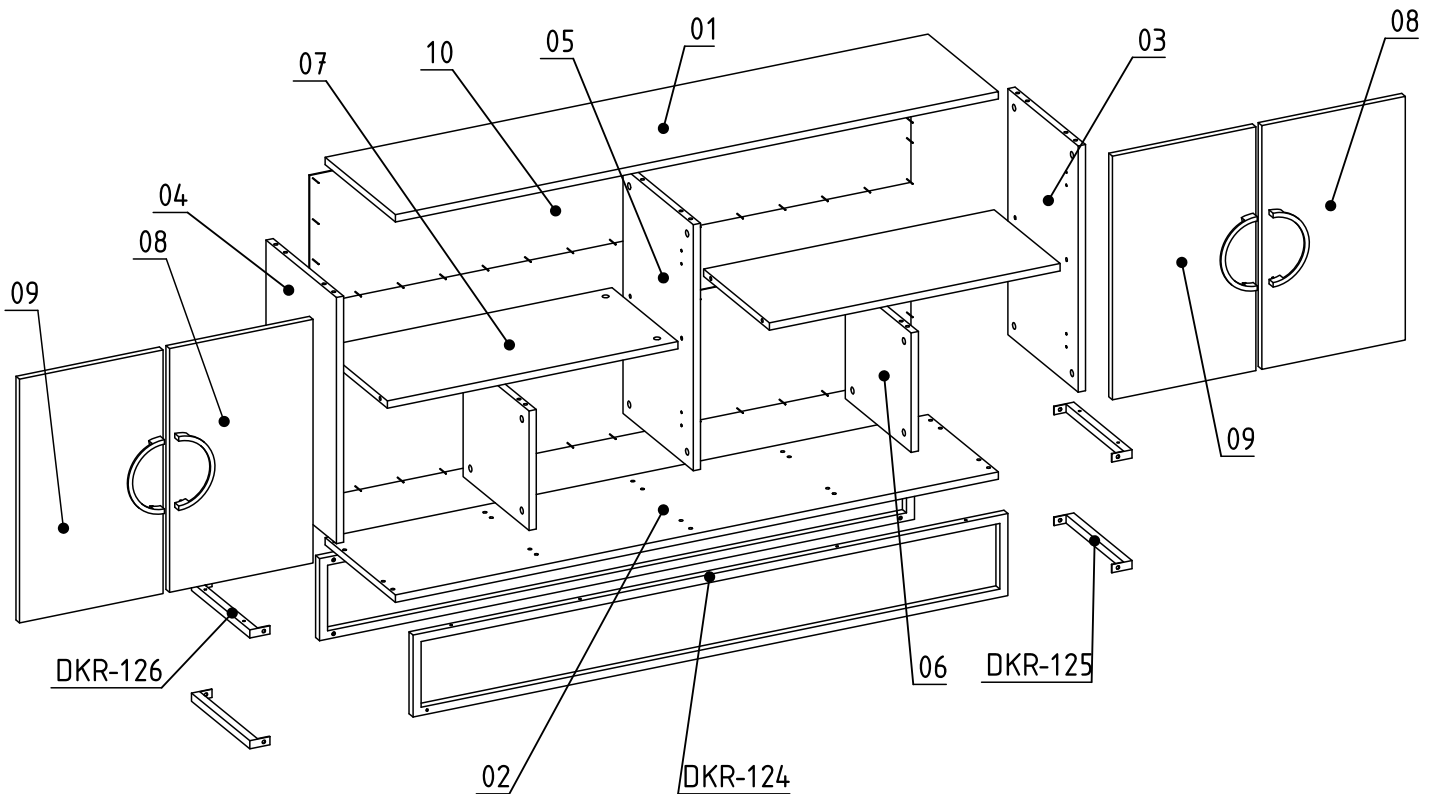




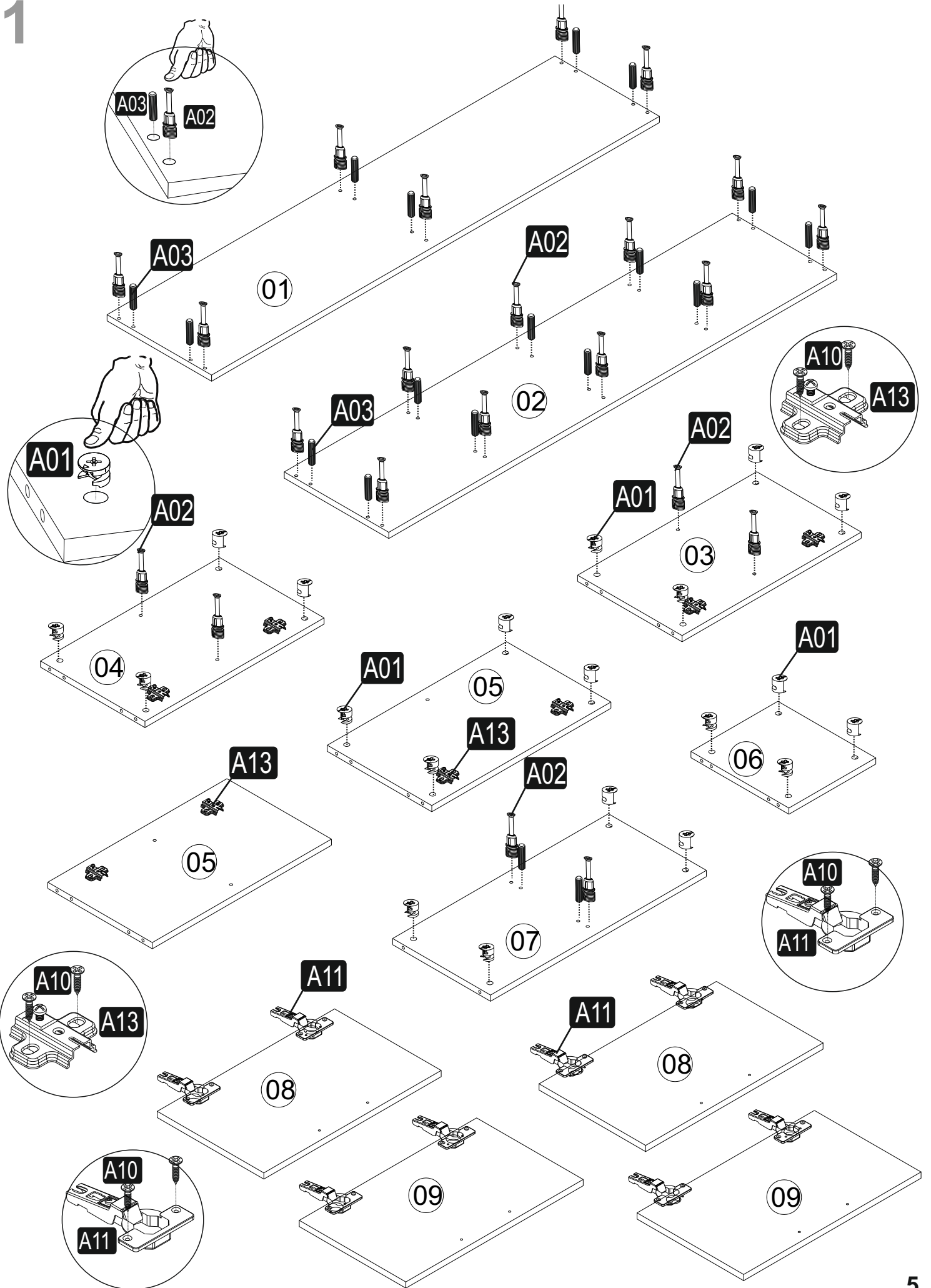
The necessary tools (not included)

ACCESSORY LIST

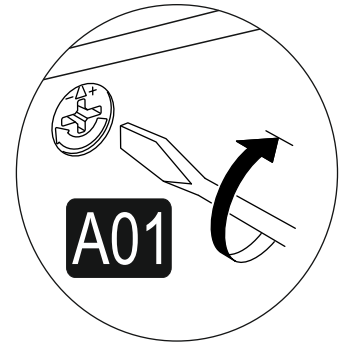
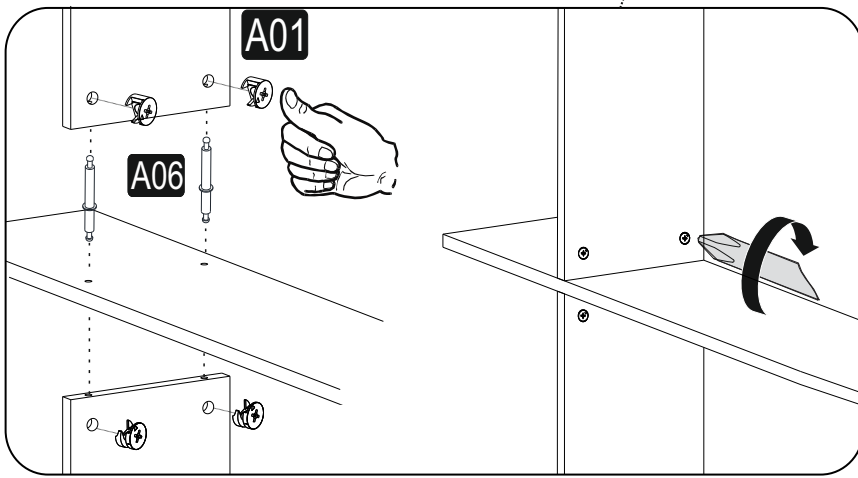
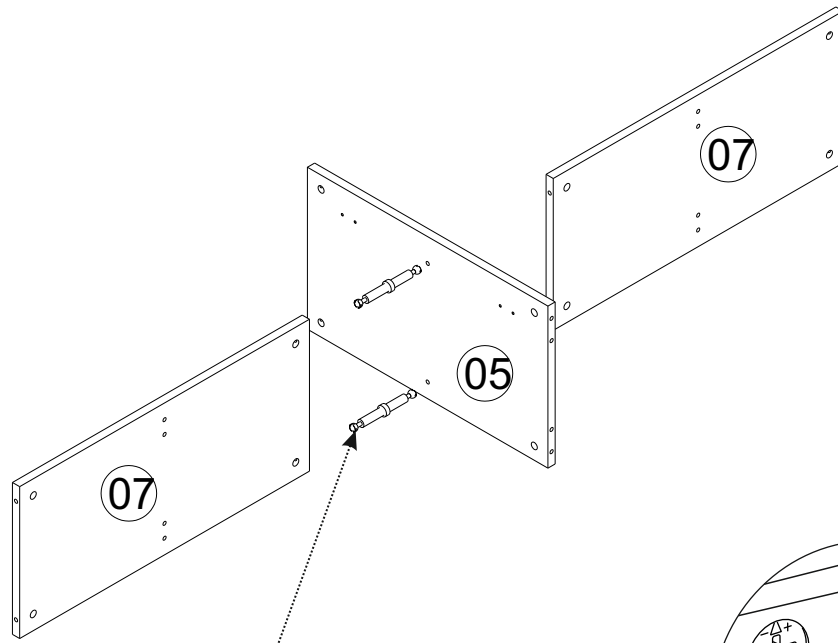
A01 28x	A02 24x	A03 20x	A28 70x	C77 1x <small>DKR-124 H1480*20</small>
C78 1x <small>DKR-125 H290*20</small>	C79 1x <small>DKR-126 H290*20</small>	A13 MA 8x	A11 SPM 8x	A06 2x
A38 3,5x35 YHB 14x	A10 3,5x18 YHB 32x	B20 M6x10 YSB 8x	A14 M4x22 8x	F69 MT GOLD 4x
A04 A 28x	<h2><u>GENERAL VIEW</u></h2>			



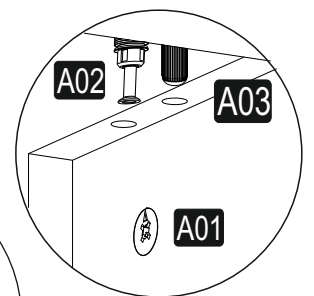
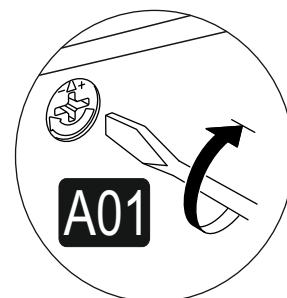
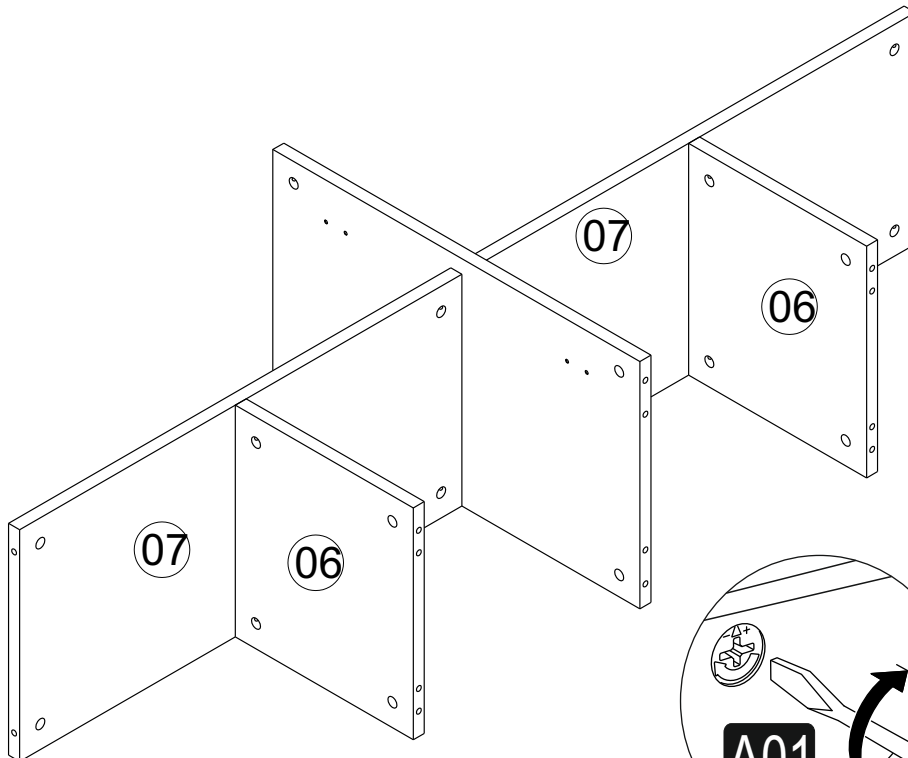
1



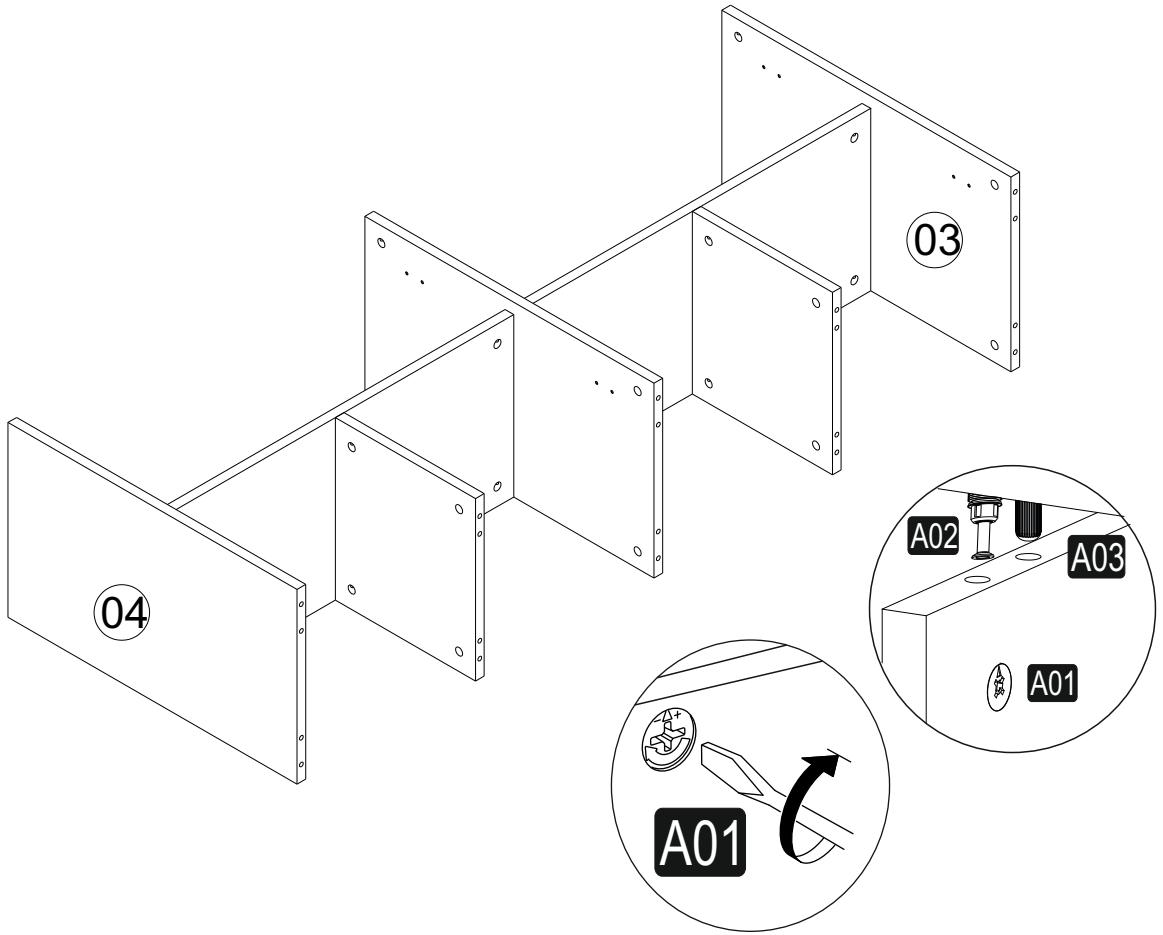
2



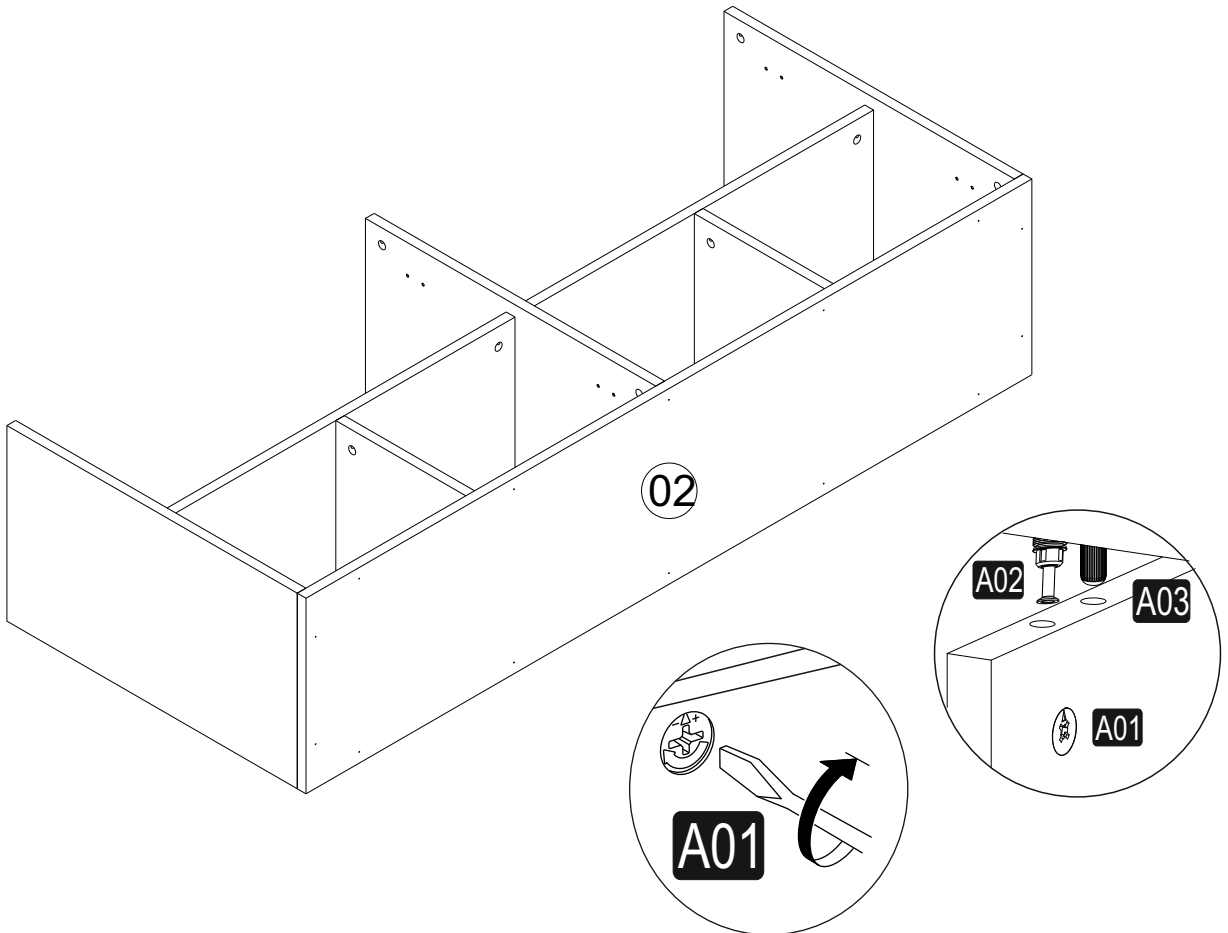
3



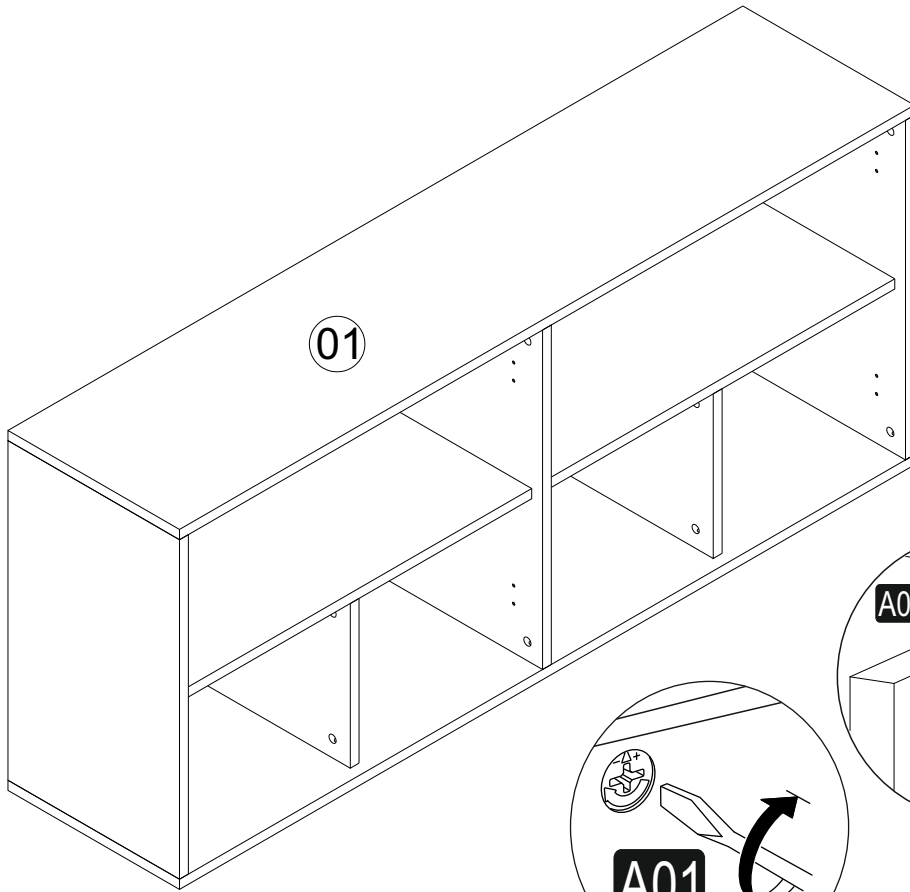
4



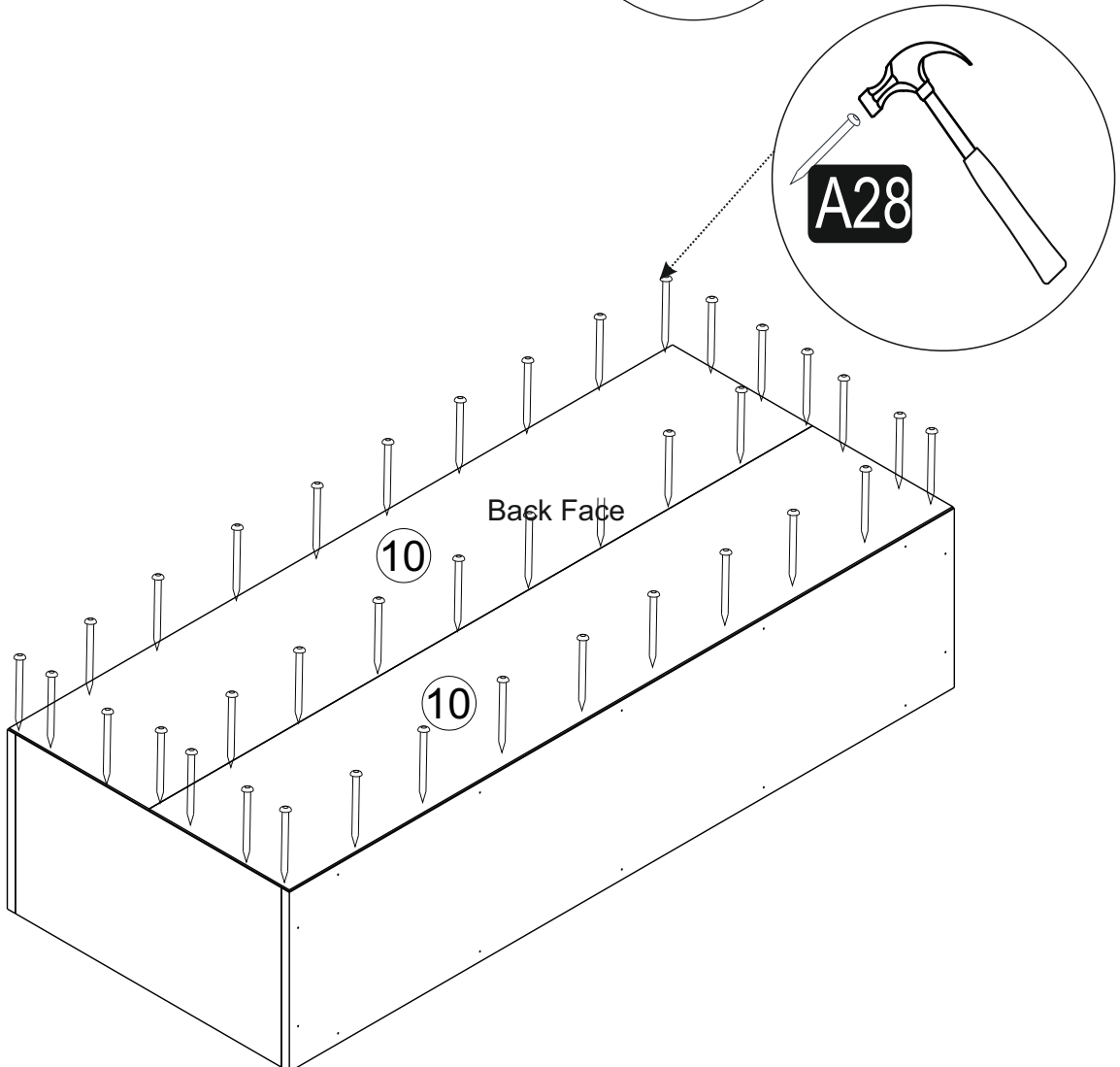
5



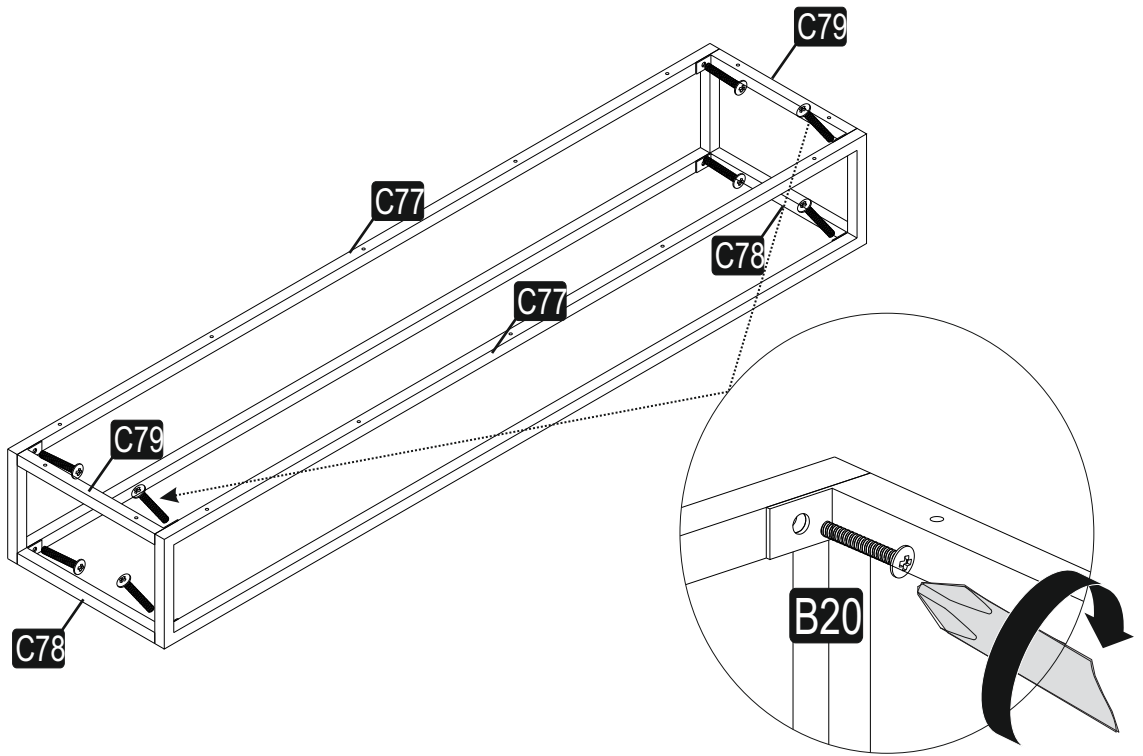
6



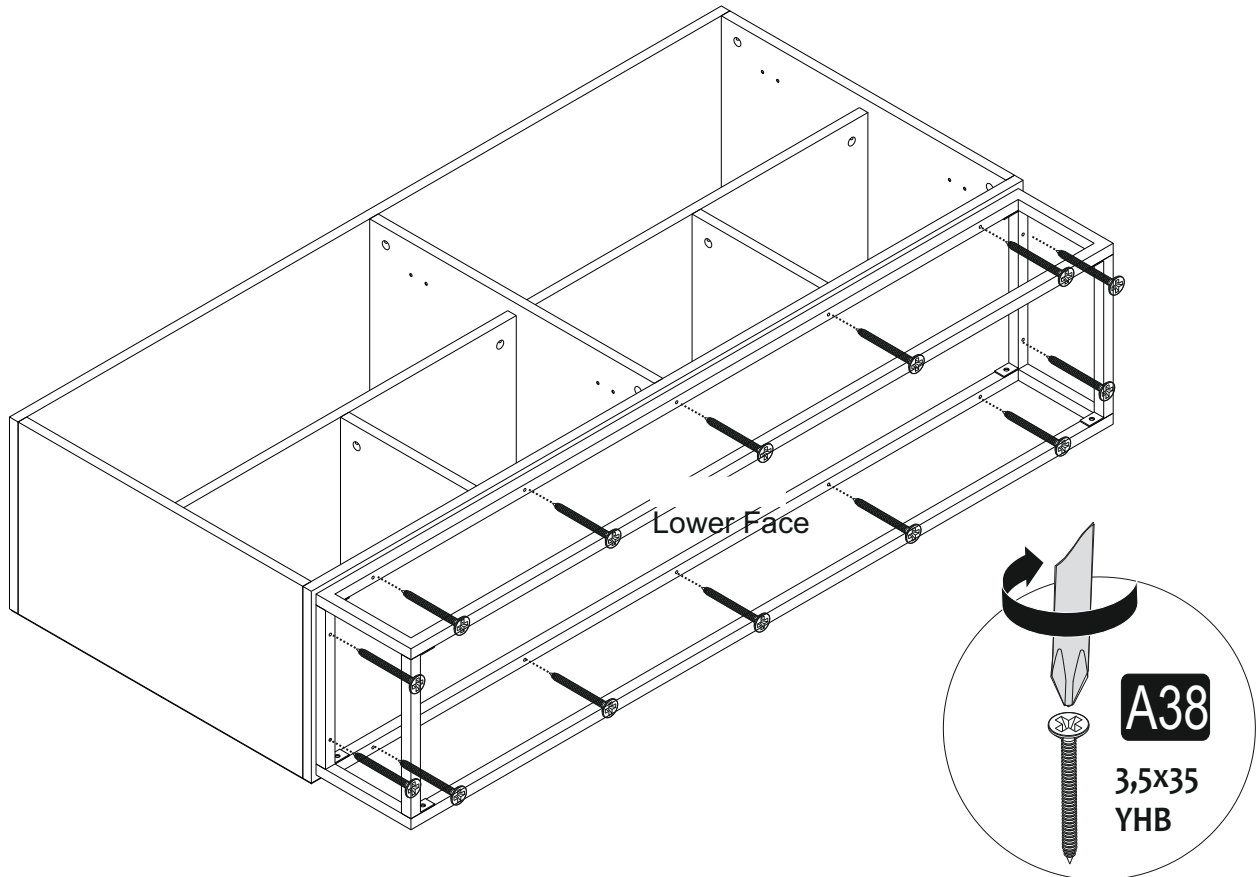
7

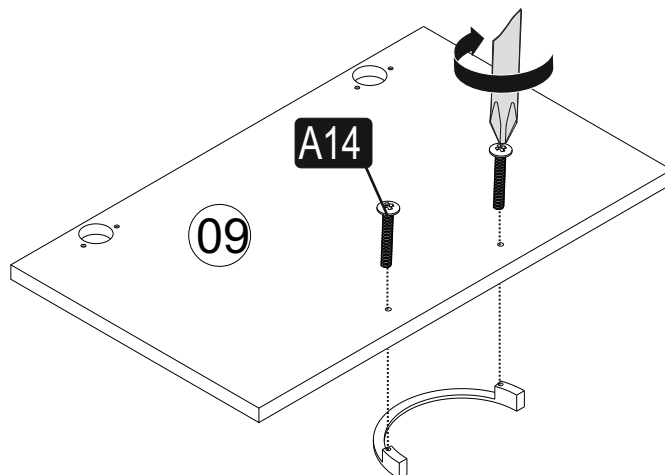
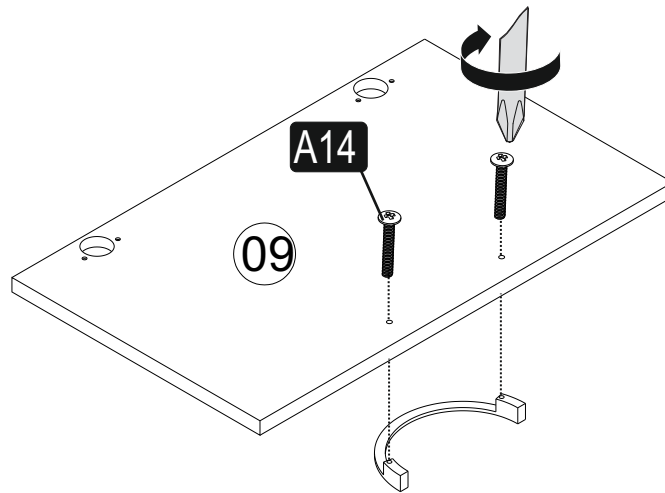
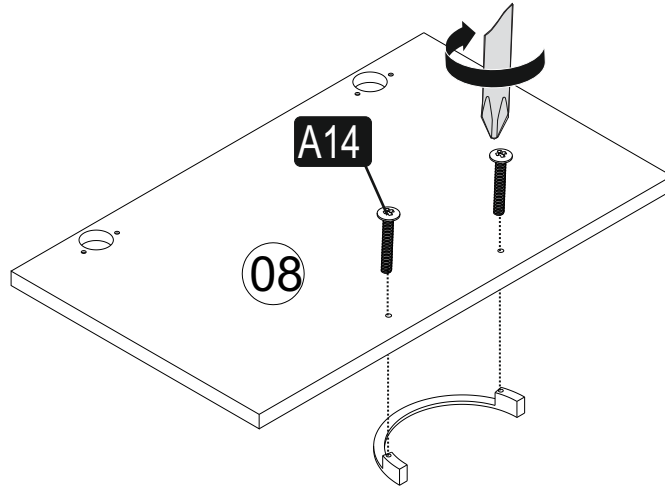
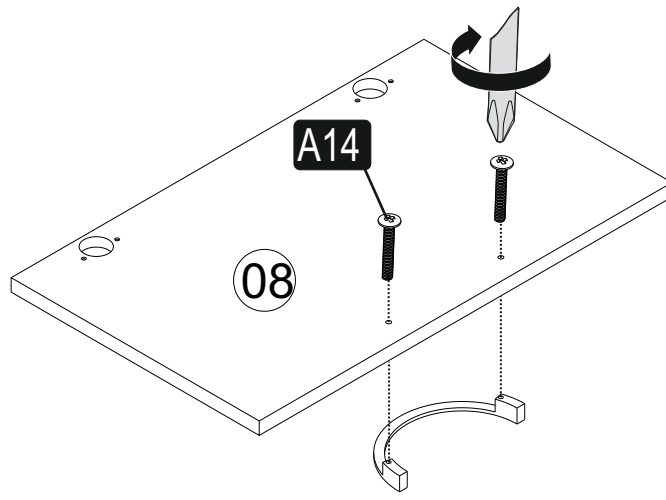


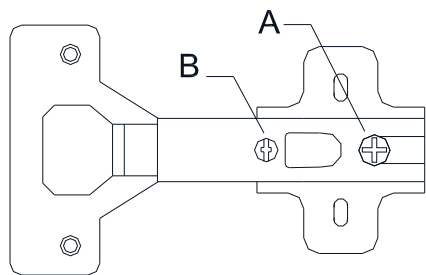
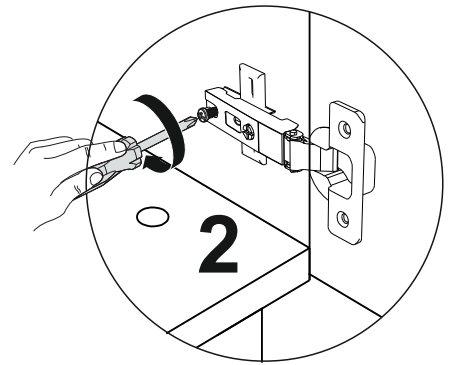
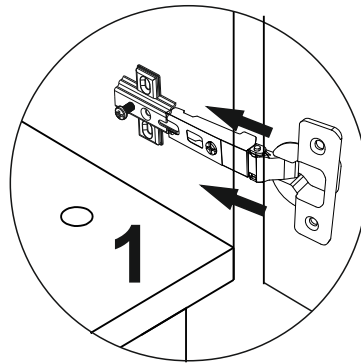
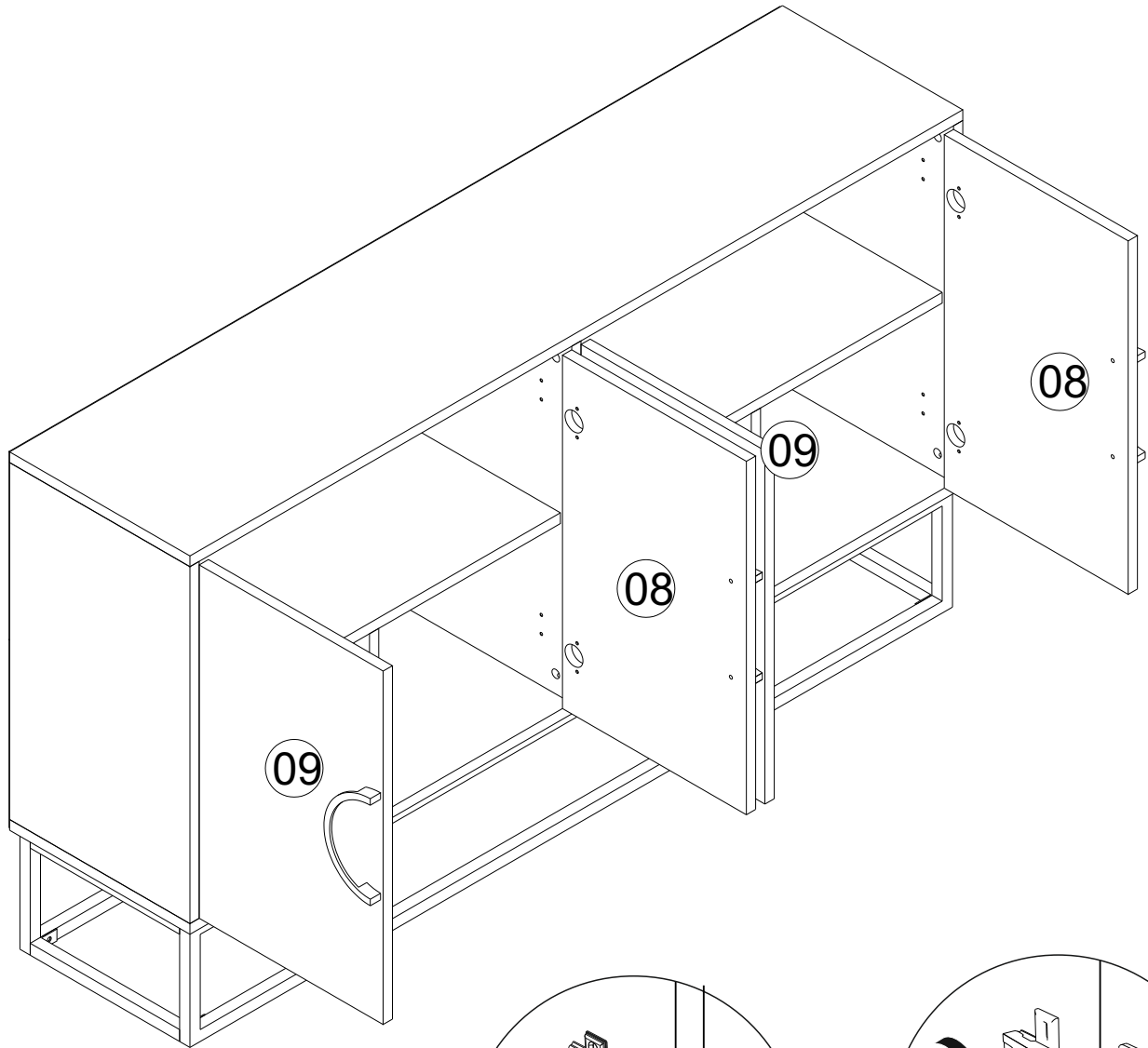
8



9

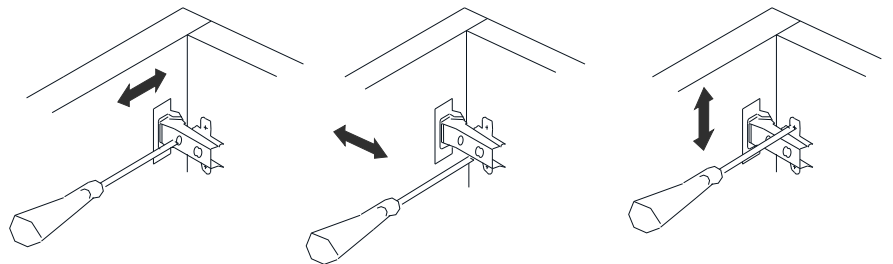






A=
B=

to connect the hinge to the door
to arrange the door



arrows to show the directions for arrangement of doors.

