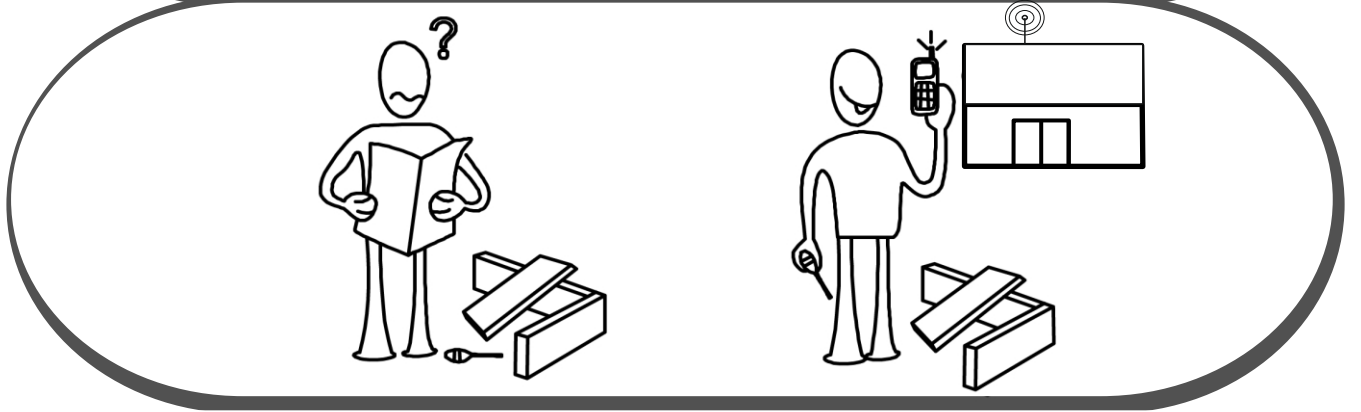
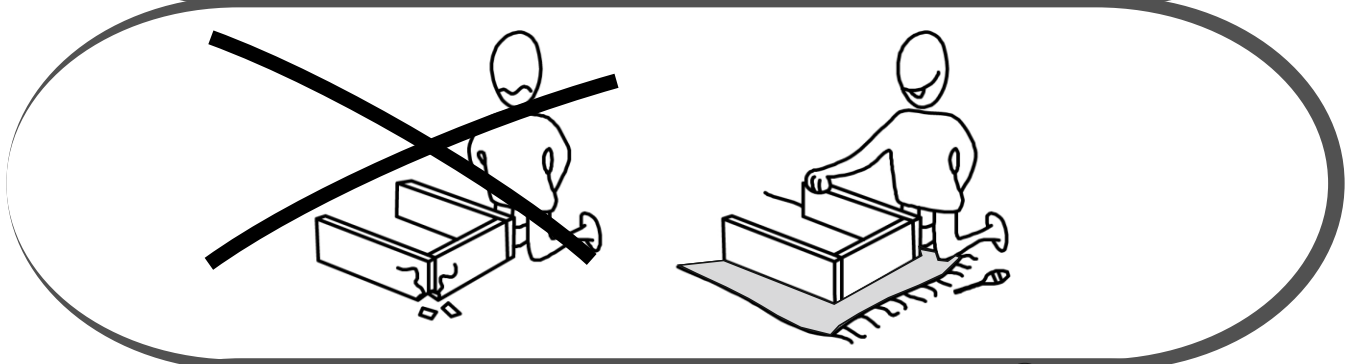
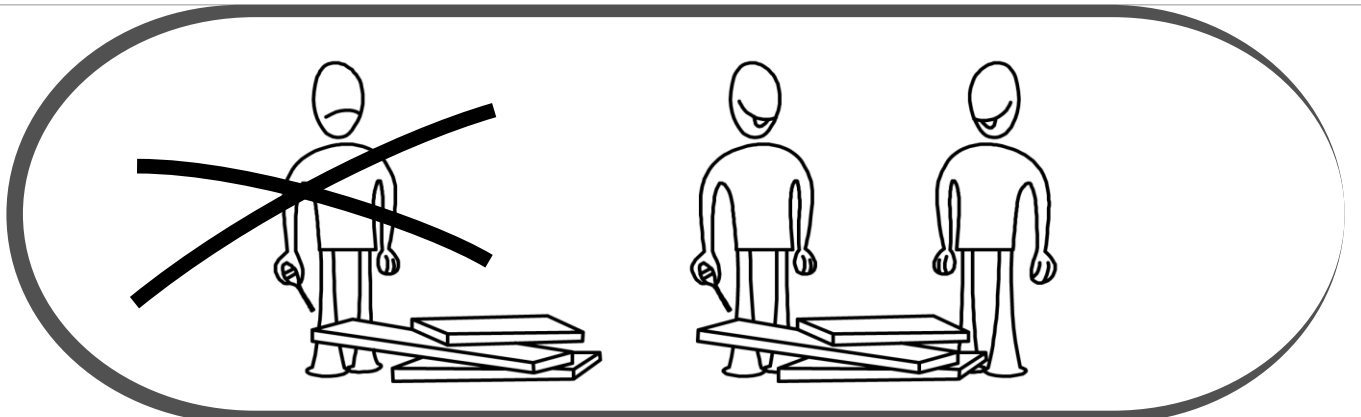
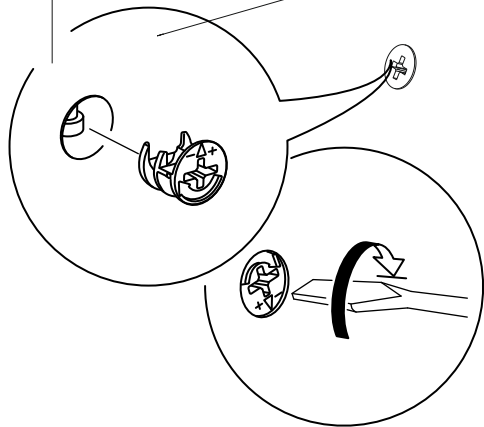
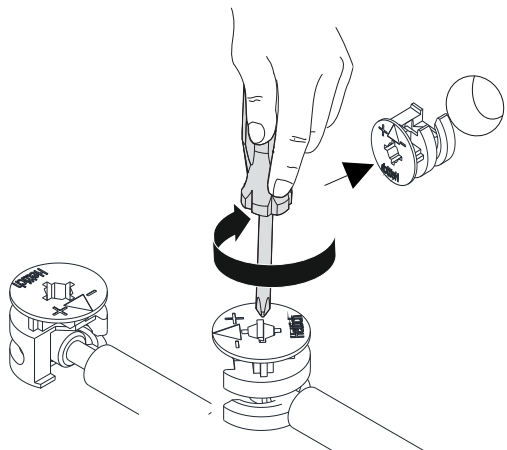
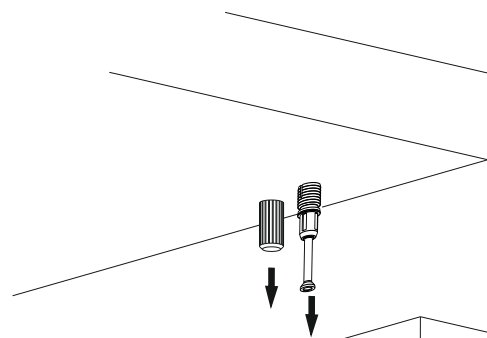
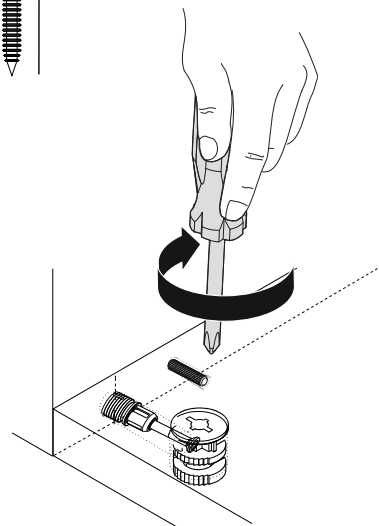
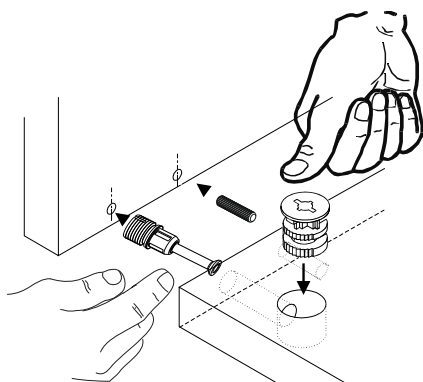
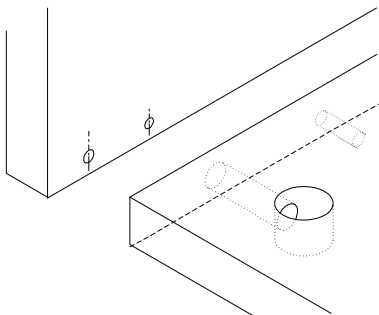
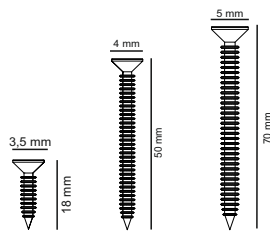
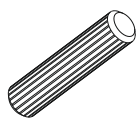
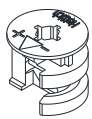
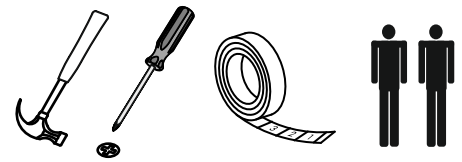


**GP042-0223,1**




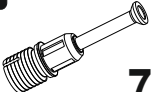
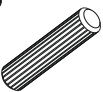
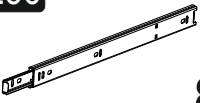


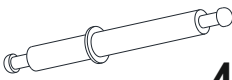



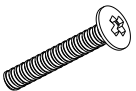







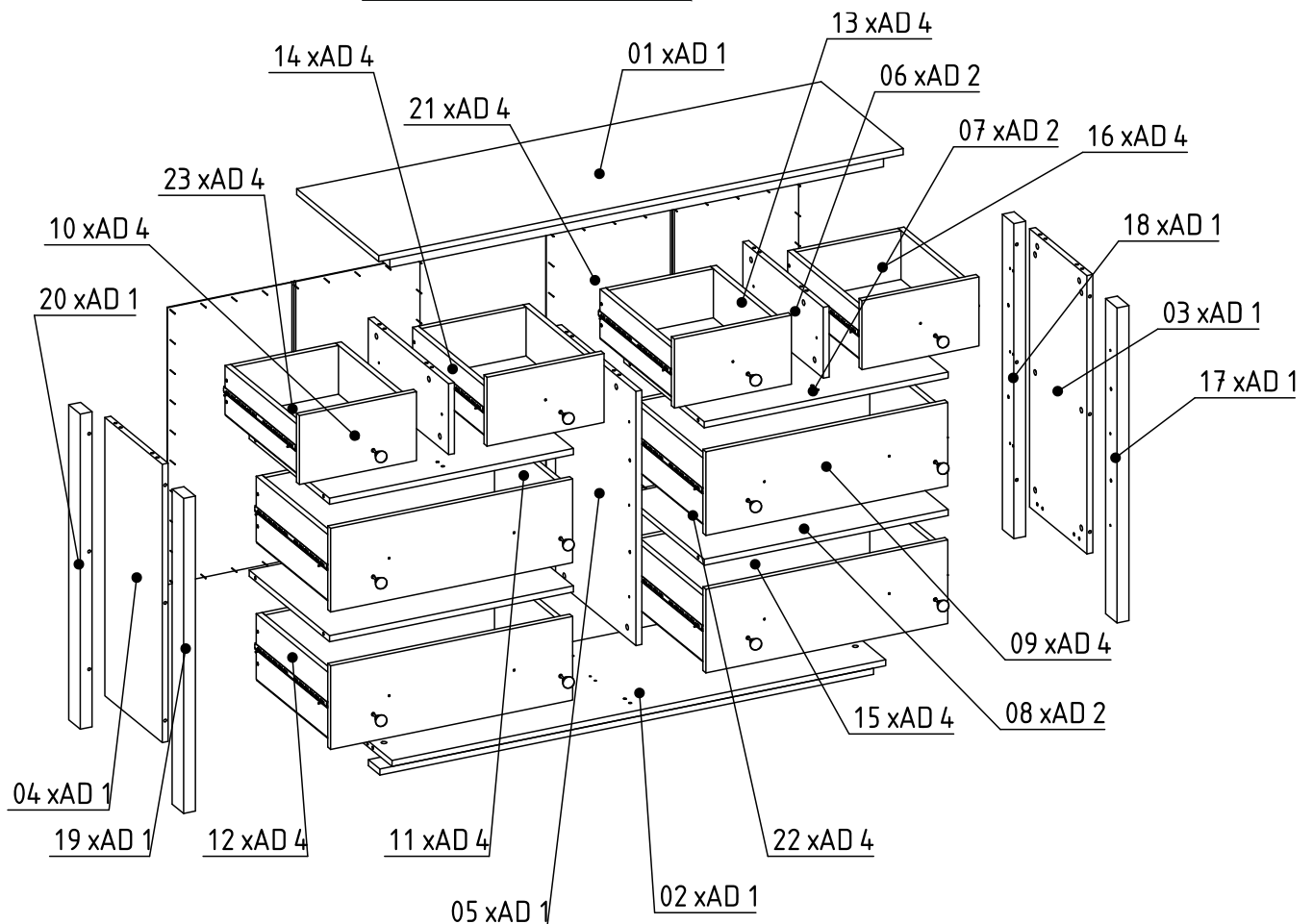


The necessary tools (not included)

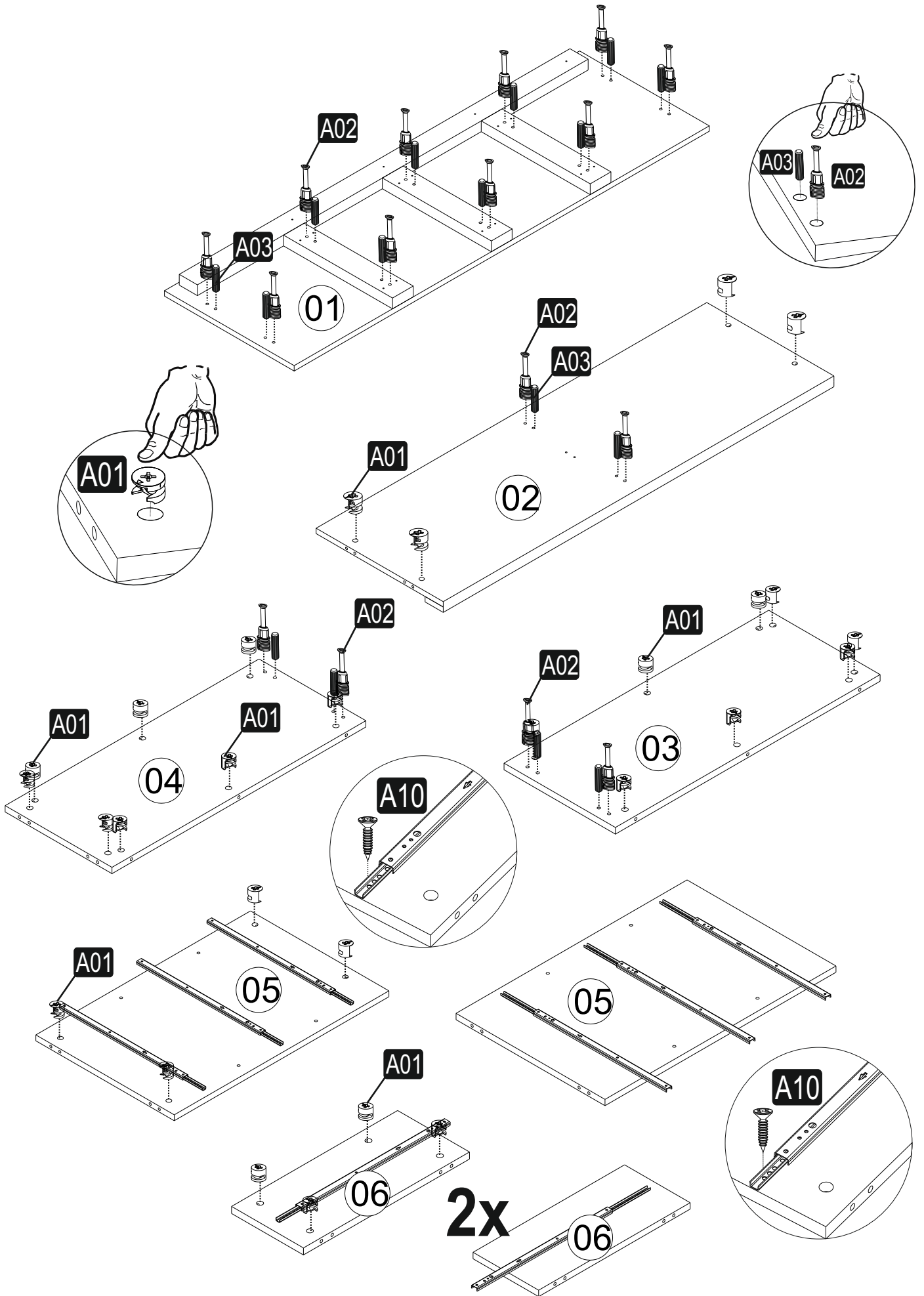
## ACCESSORY LIST

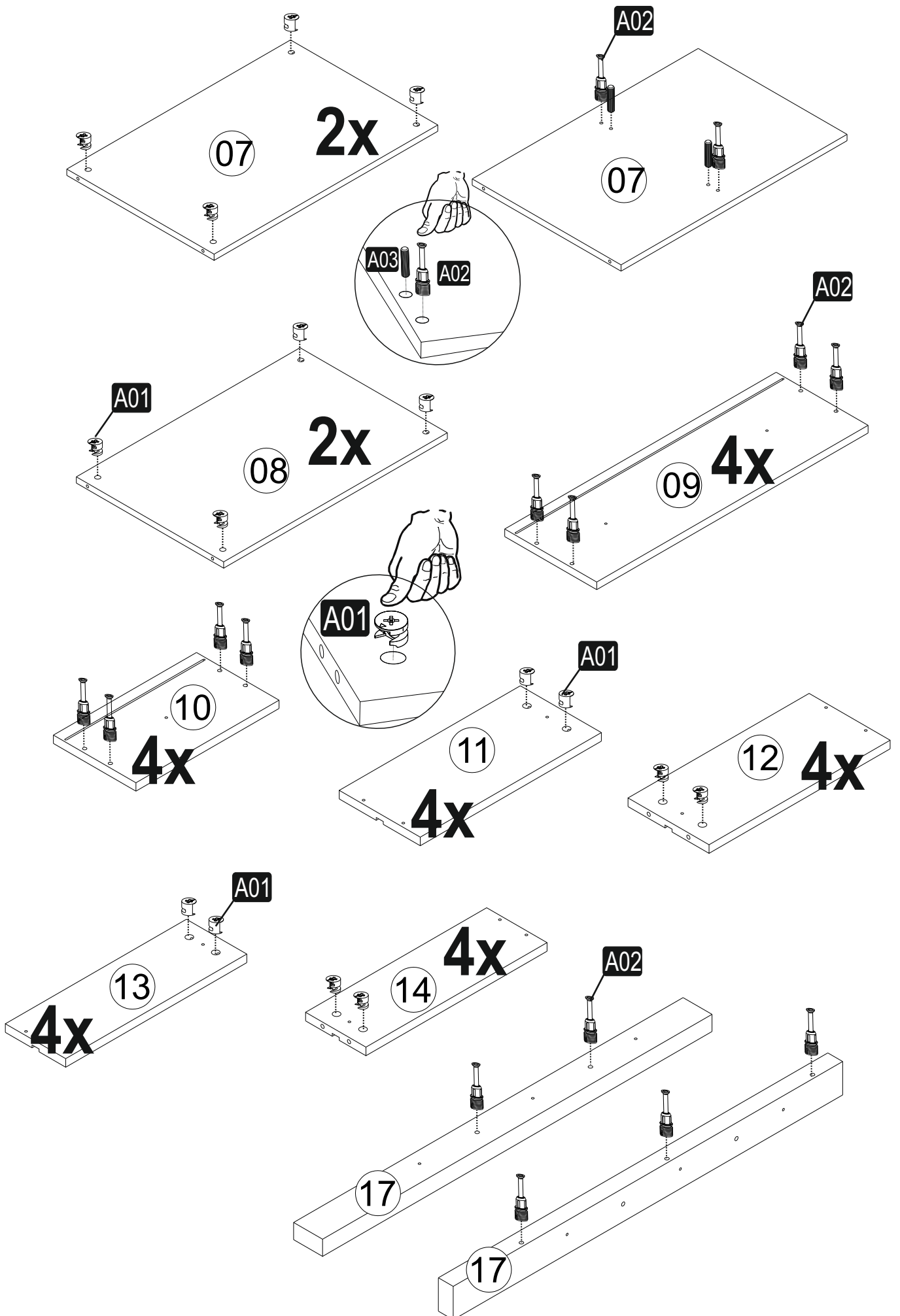
<b>A01</b>  80x	<b>A02</b>  72x	<b>A03</b>  20x	<b>E56</b>  17MM* $L$ 438 MM 8x	<b>A28</b>  190x
<b>A04</b>  A 80x	<b>A06</b>  4x	<b>A10</b> 3,5x18 YHB  32x	<b>A09</b> 4x50 YHB  36x	<b>D09</b> M4x15 YSB  16x
<b>C06</b> 3,5x30  12x	<b>A25</b>  826 mm 2x	<b>A16</b>  A 36x	<b>F42</b>  12x	

## GENERAL VIEW

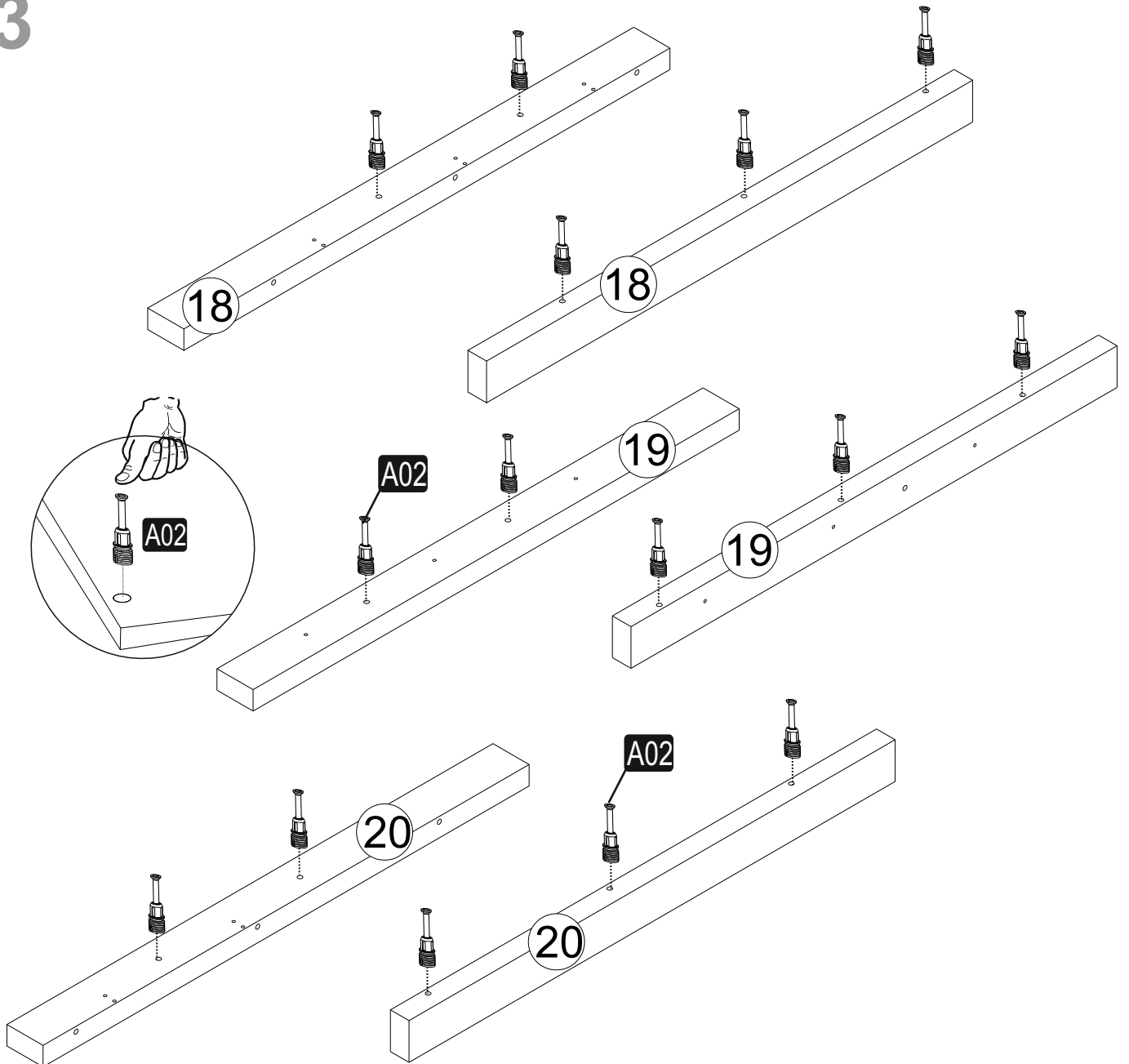


1

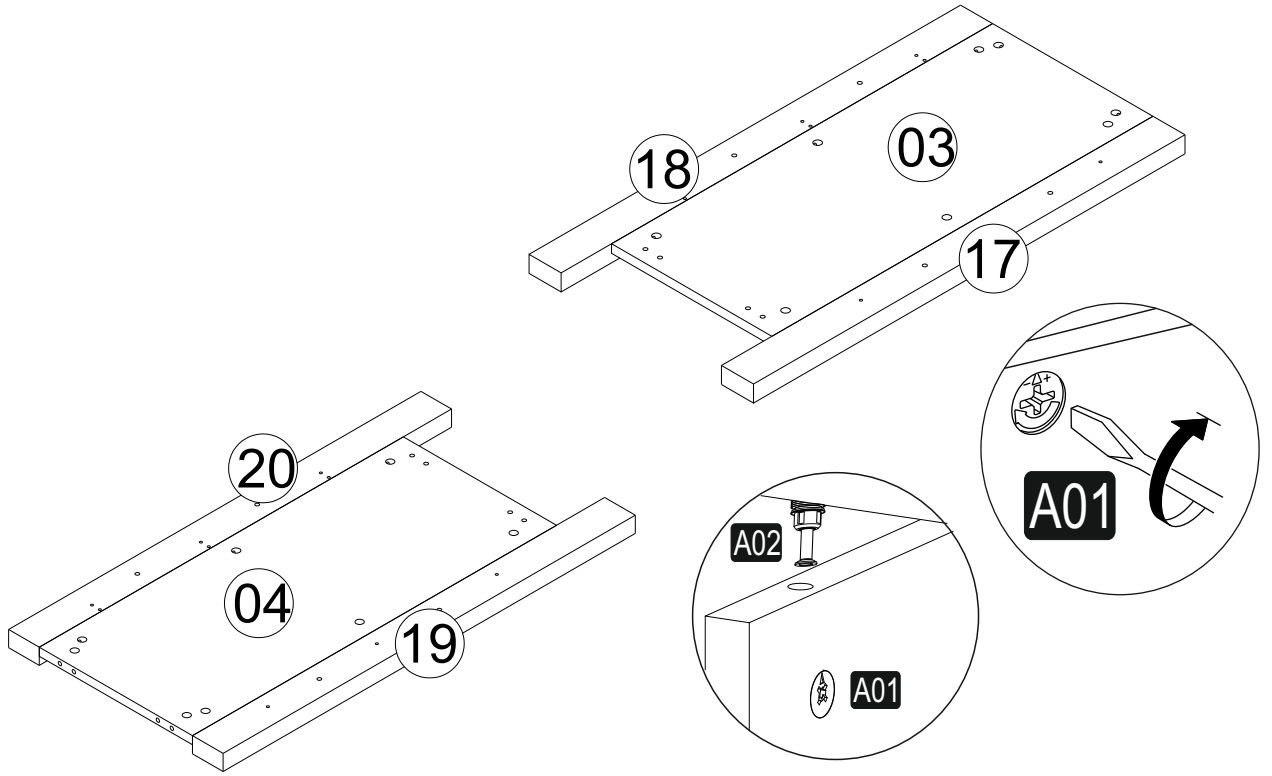




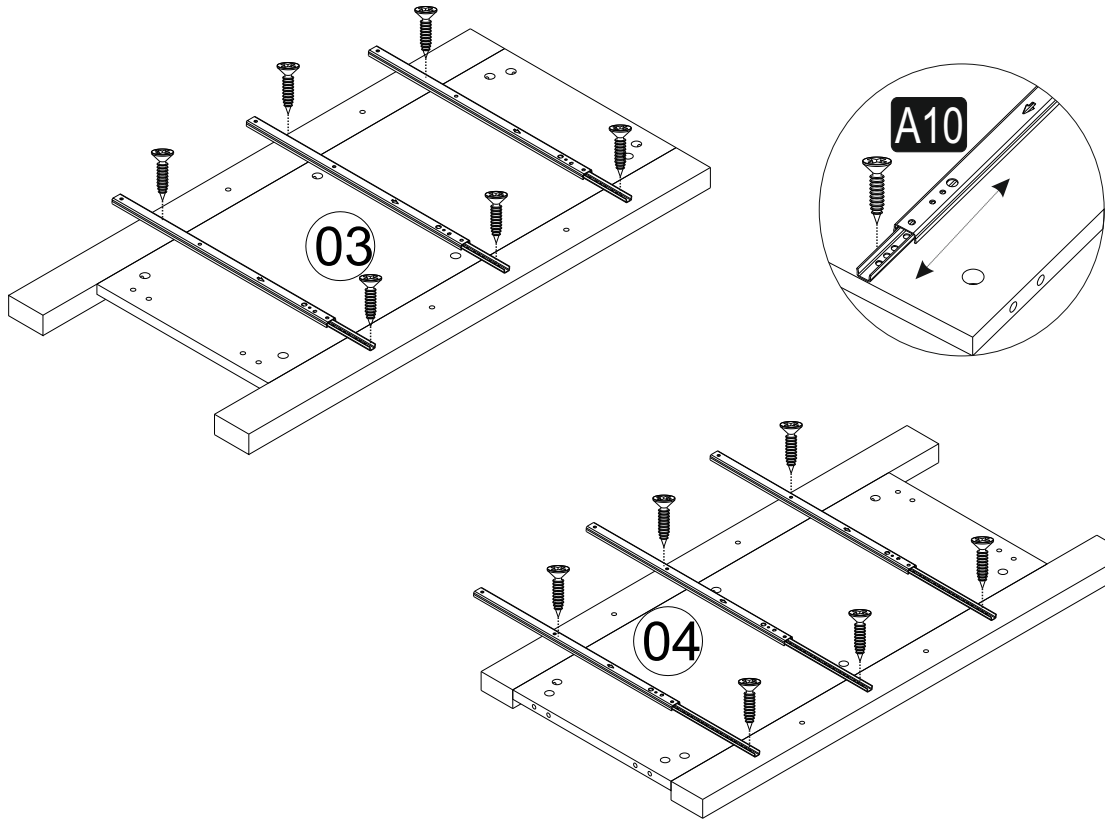
3



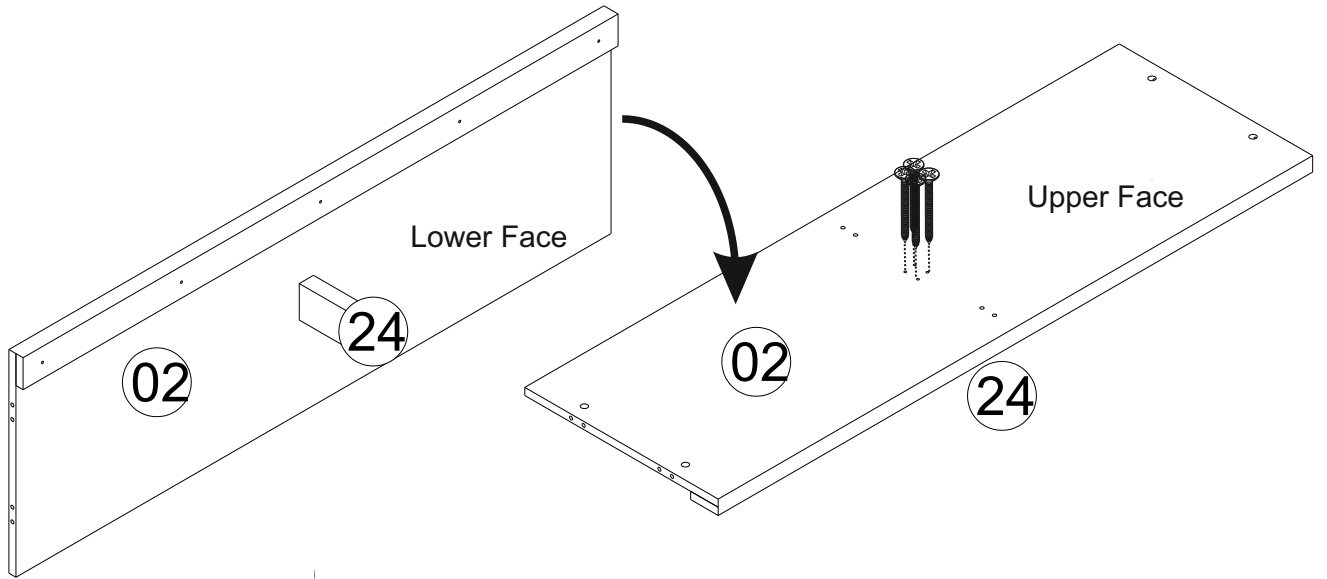
4



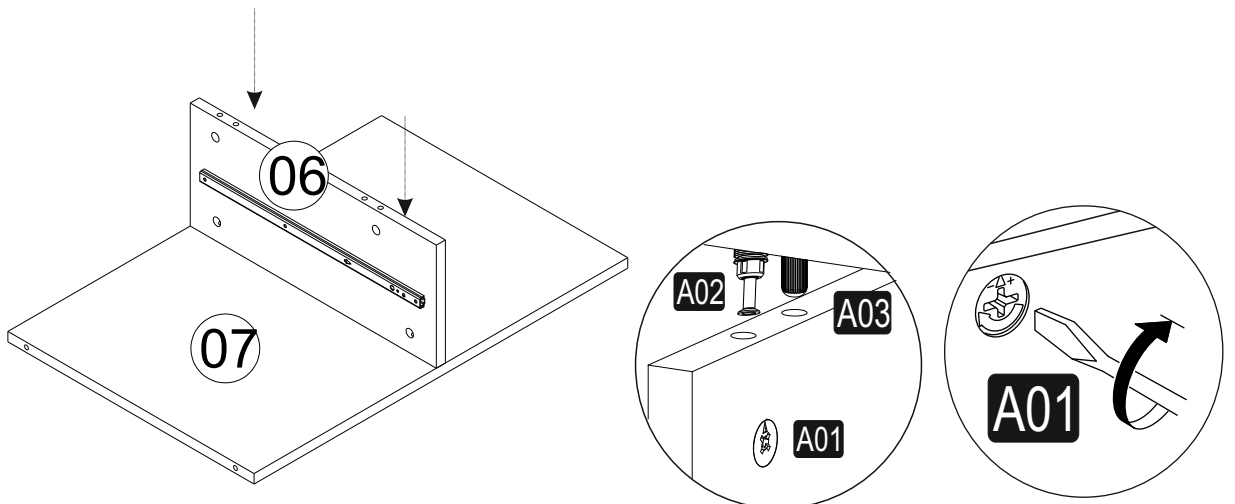
5



6

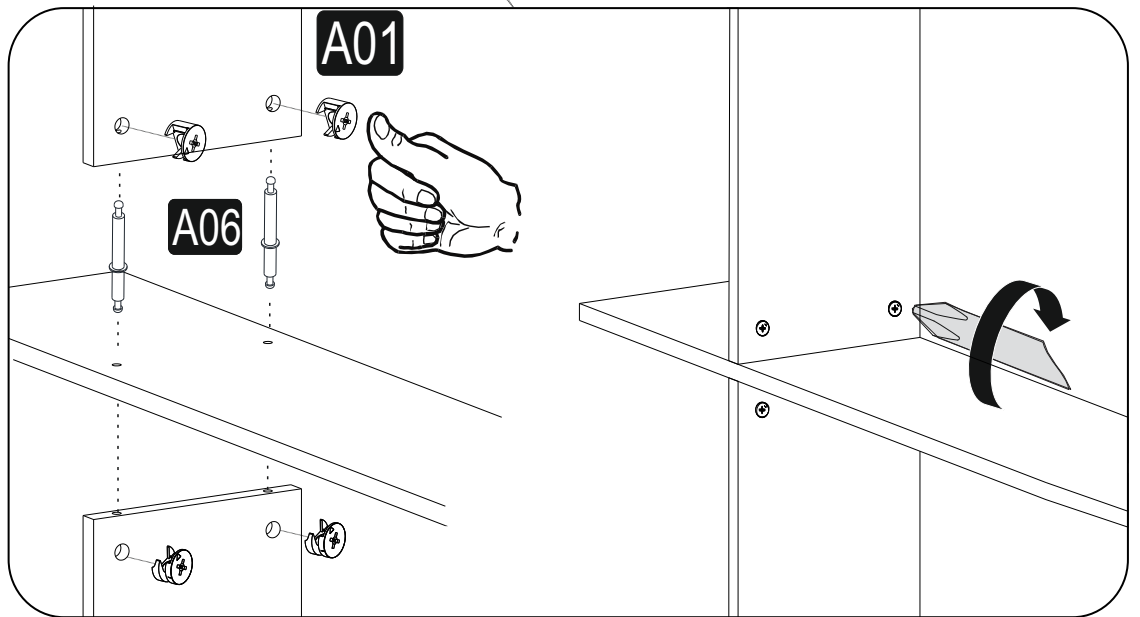
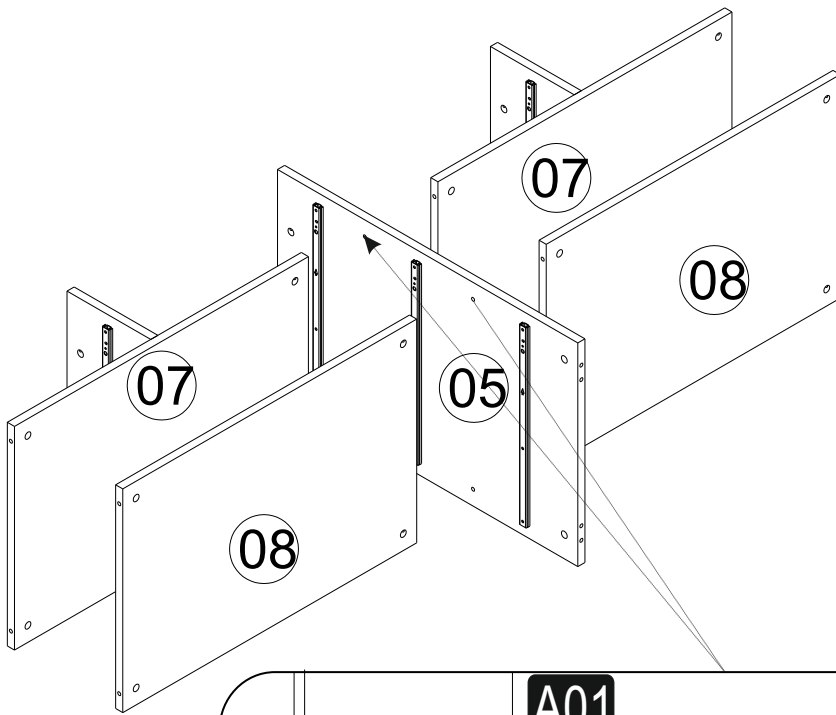


7

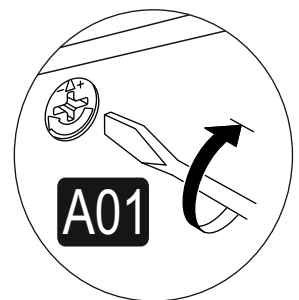
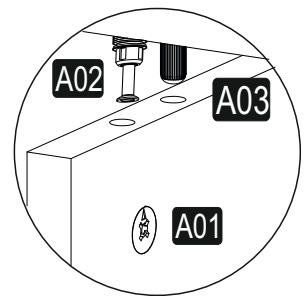
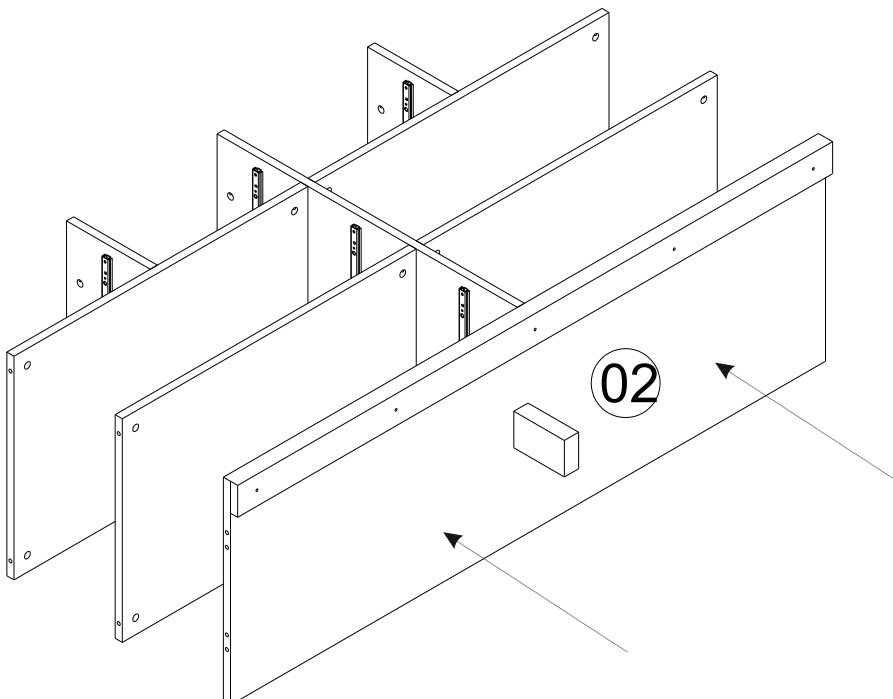




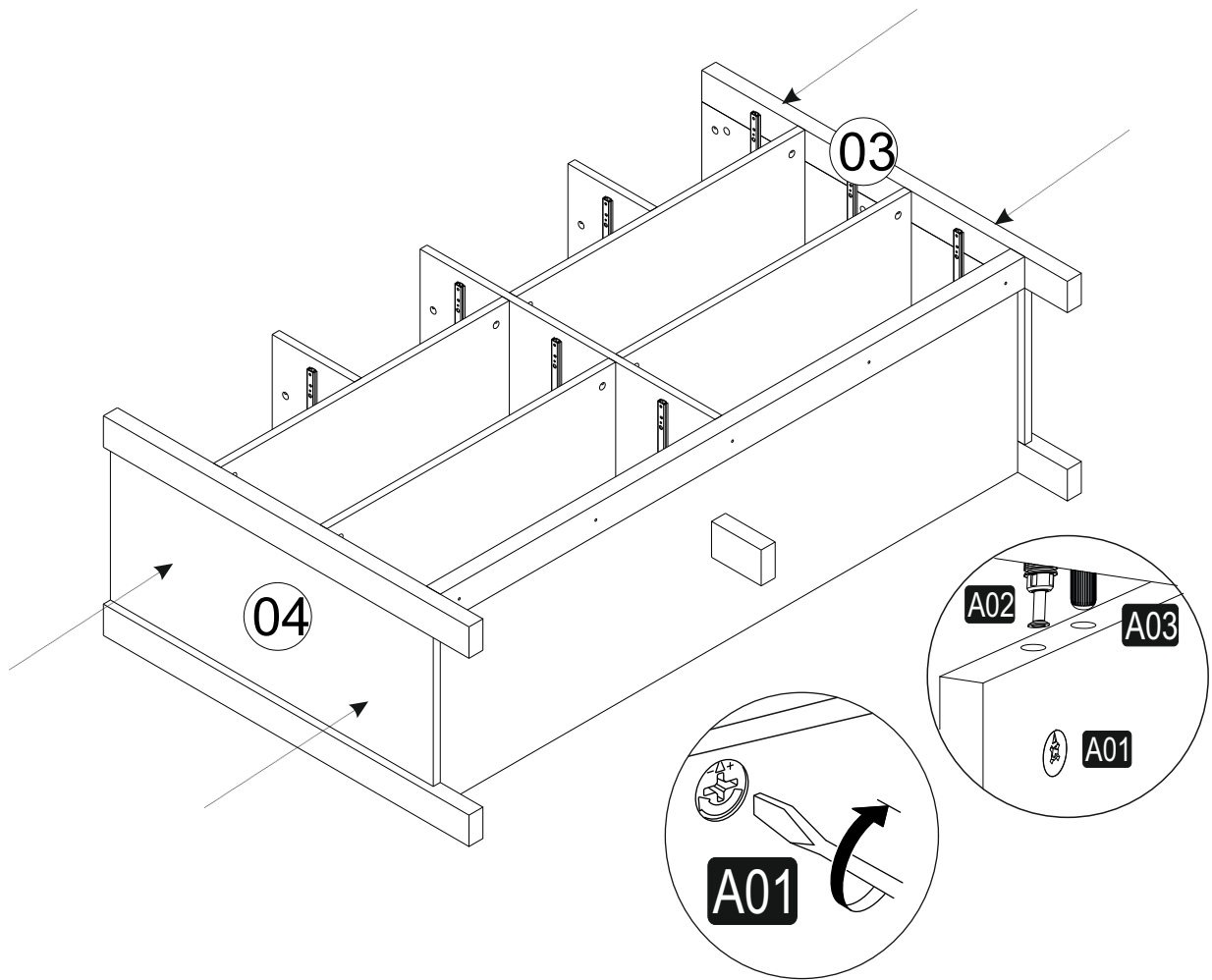
8



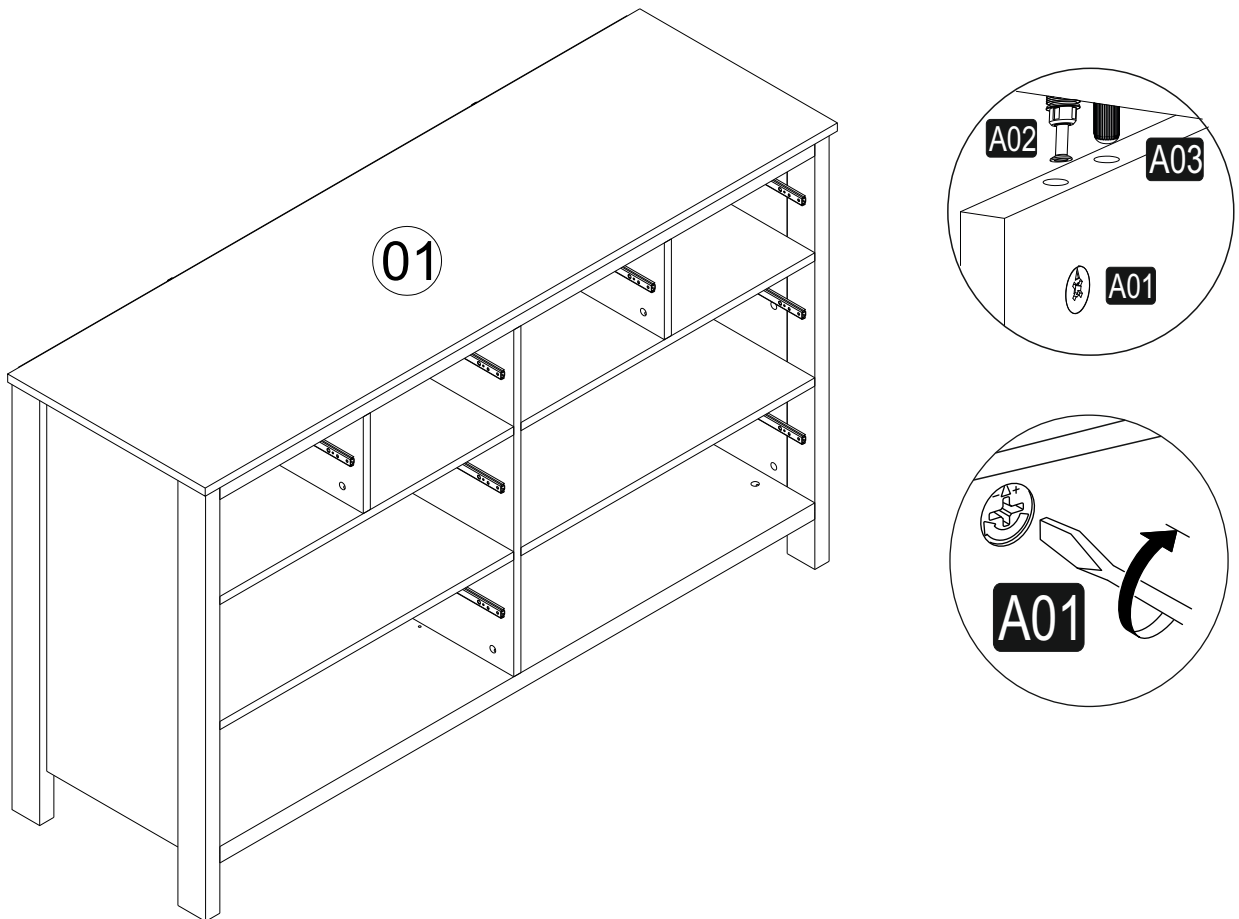
9



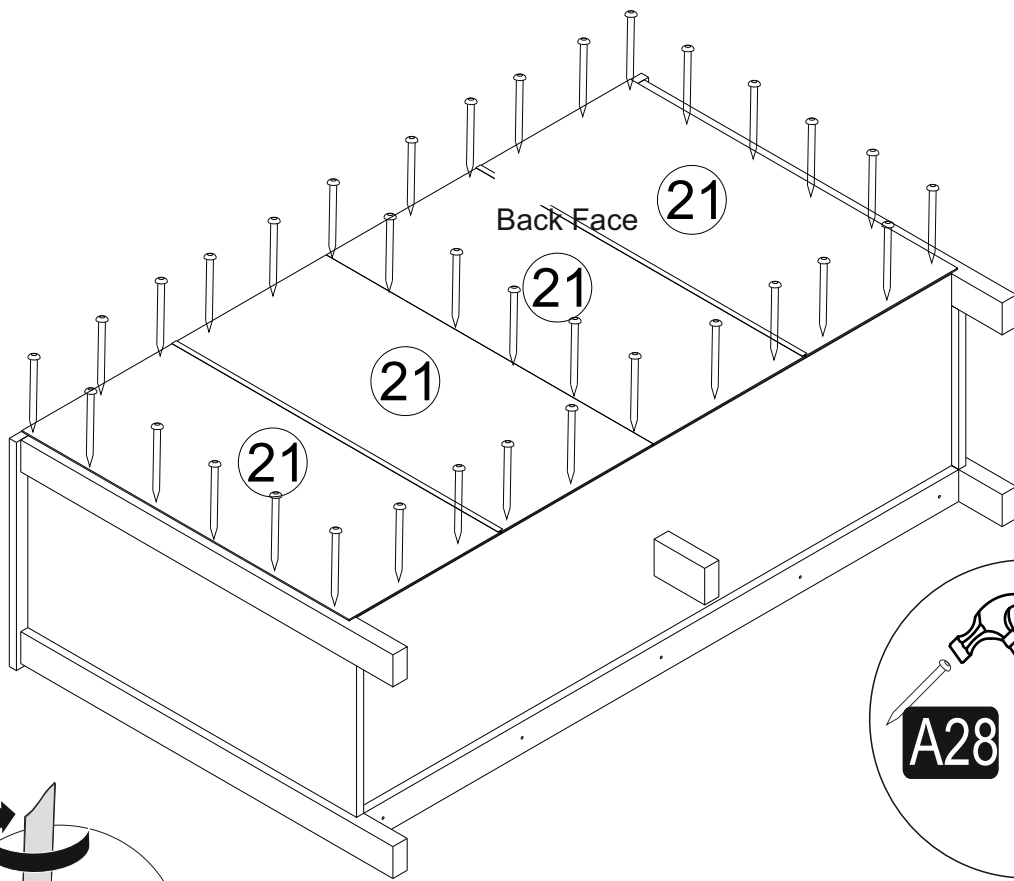
10



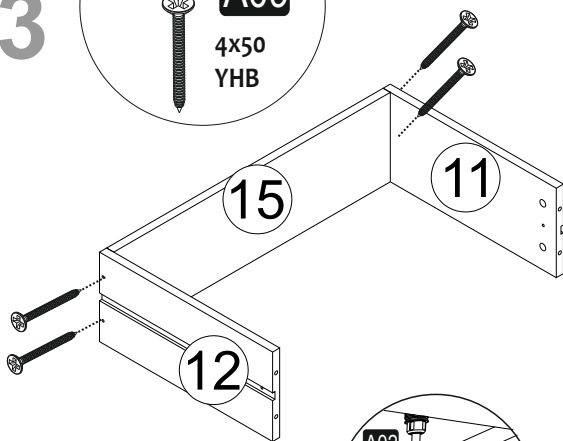
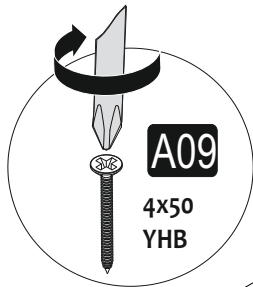
11



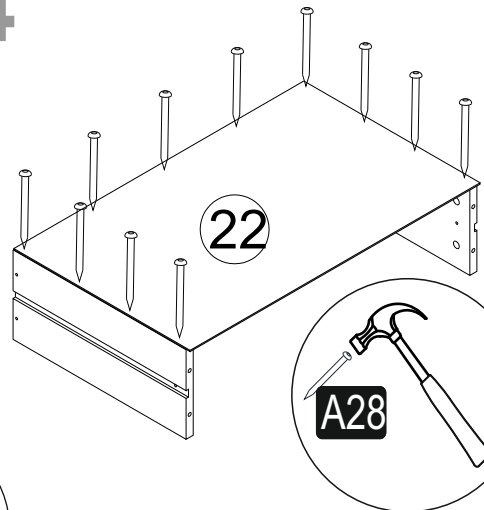
# 12



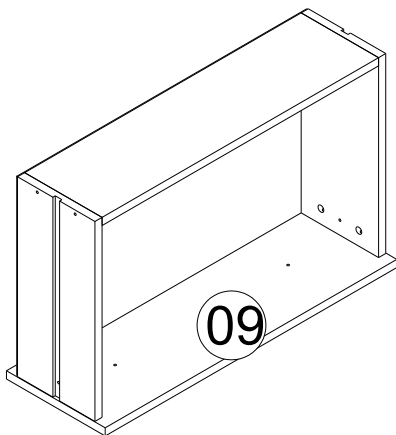
# 13



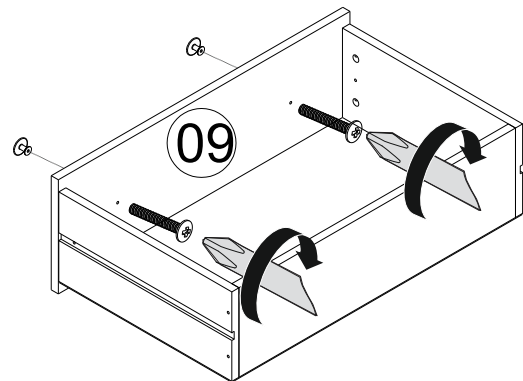
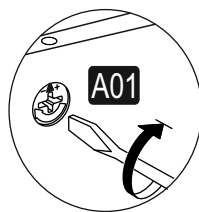
# 14



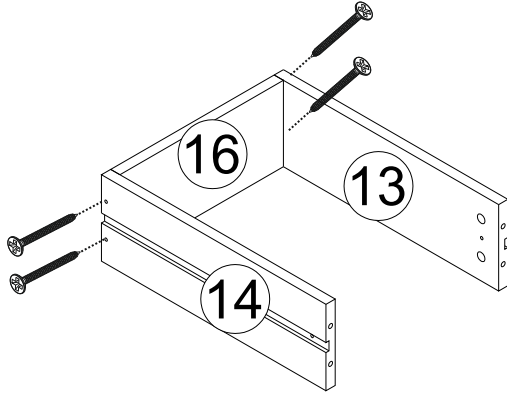
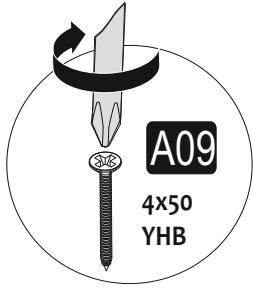
# 15



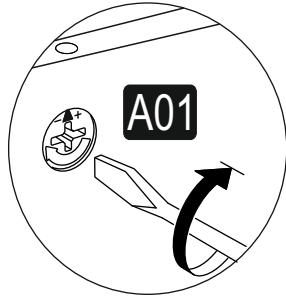
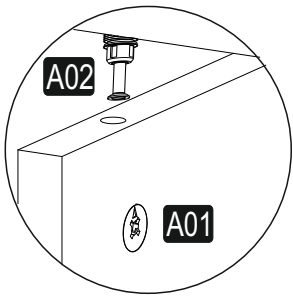
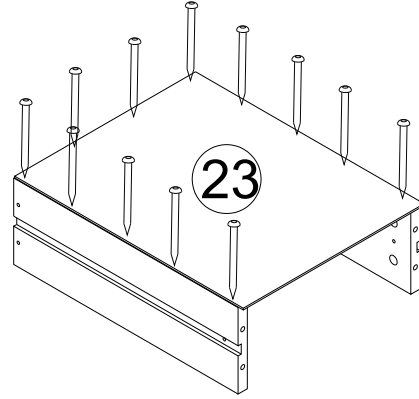
# 16



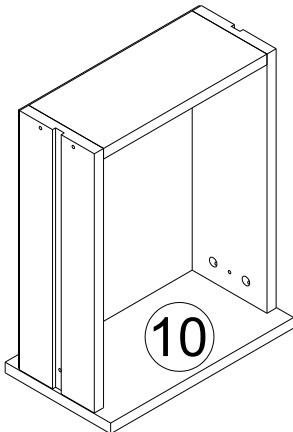
# 17



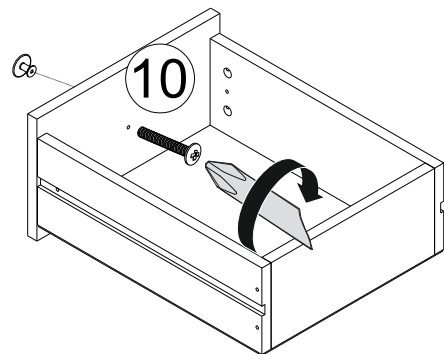
# 18



# 19



# 20



21

