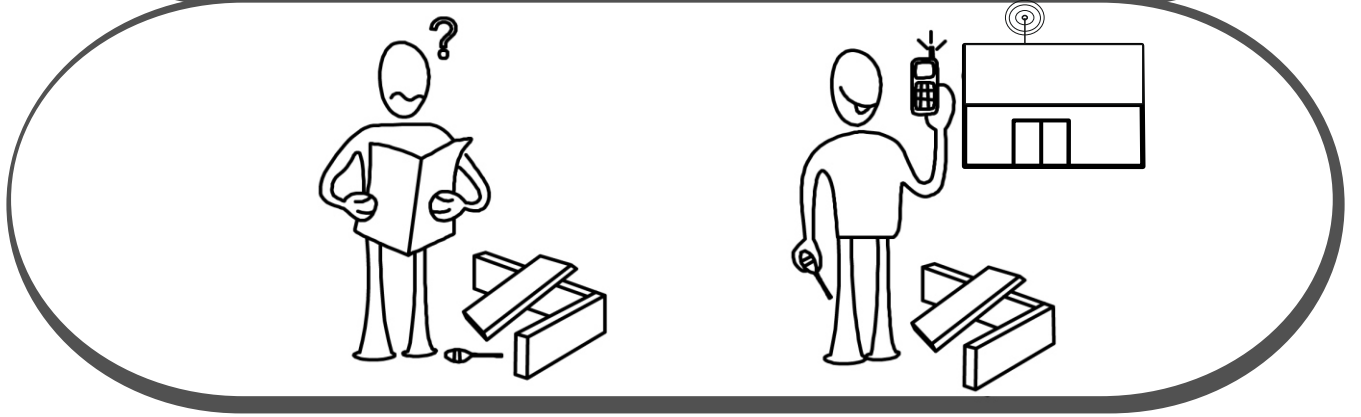
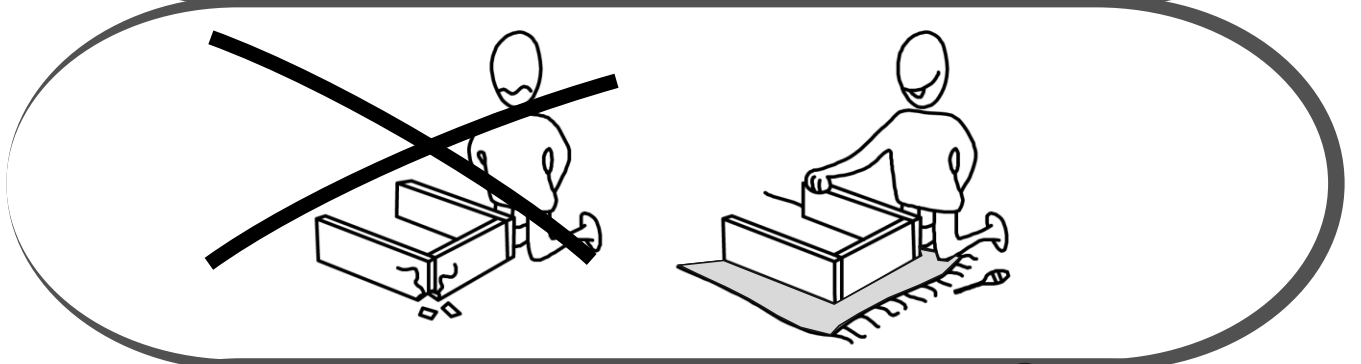
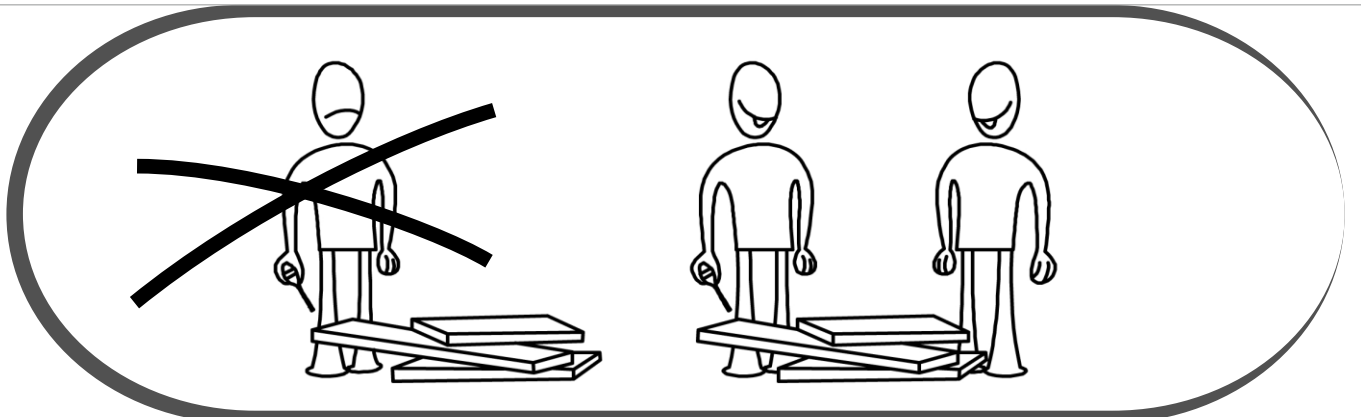
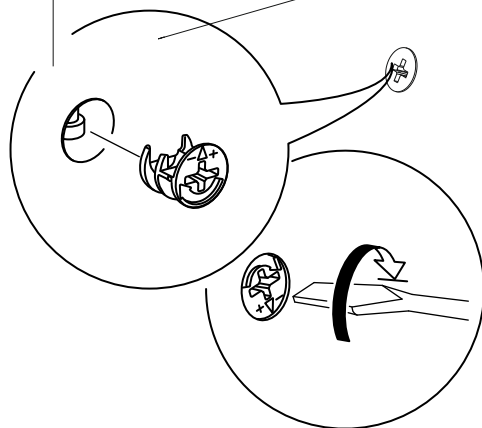
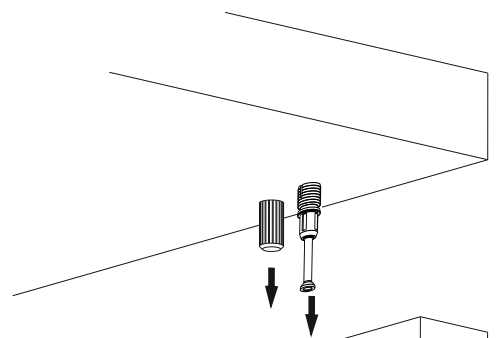
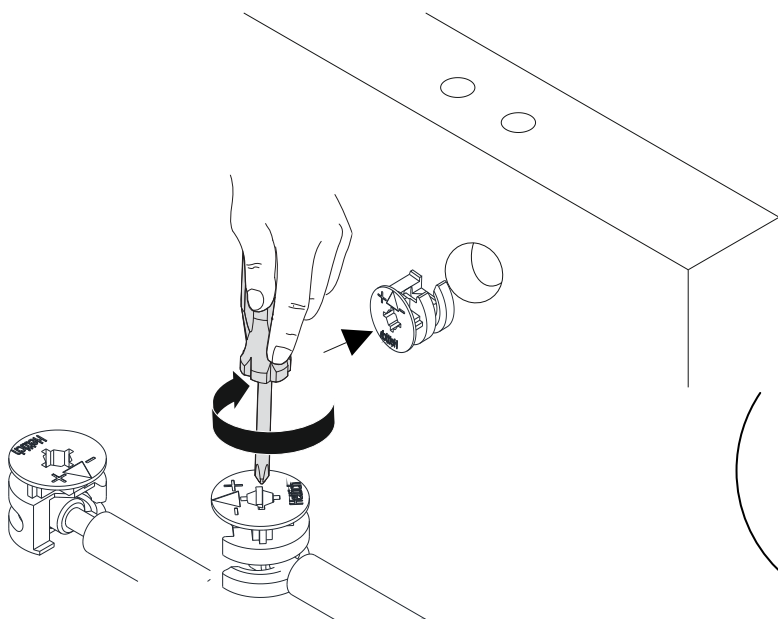
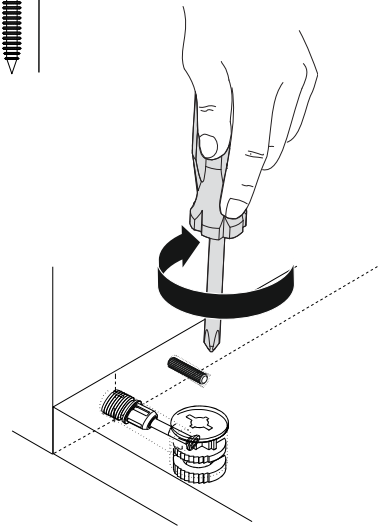
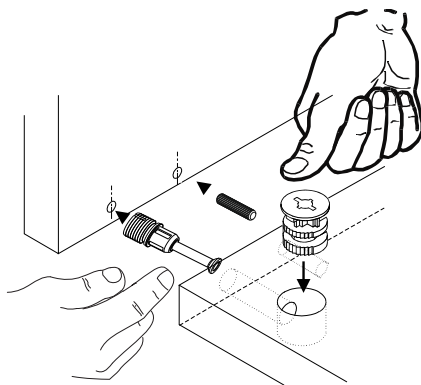
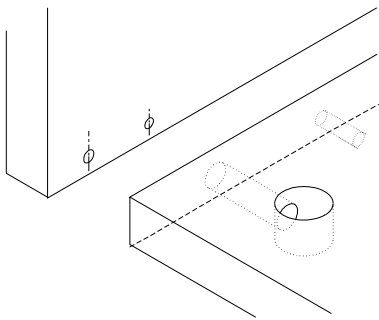
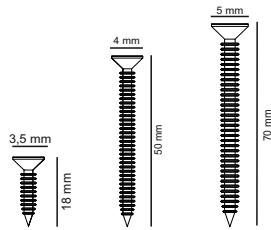
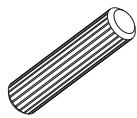
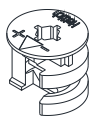
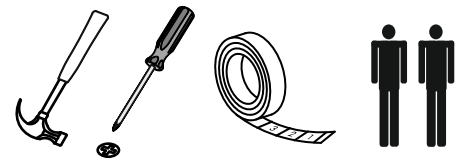


**GP042-0214,1**







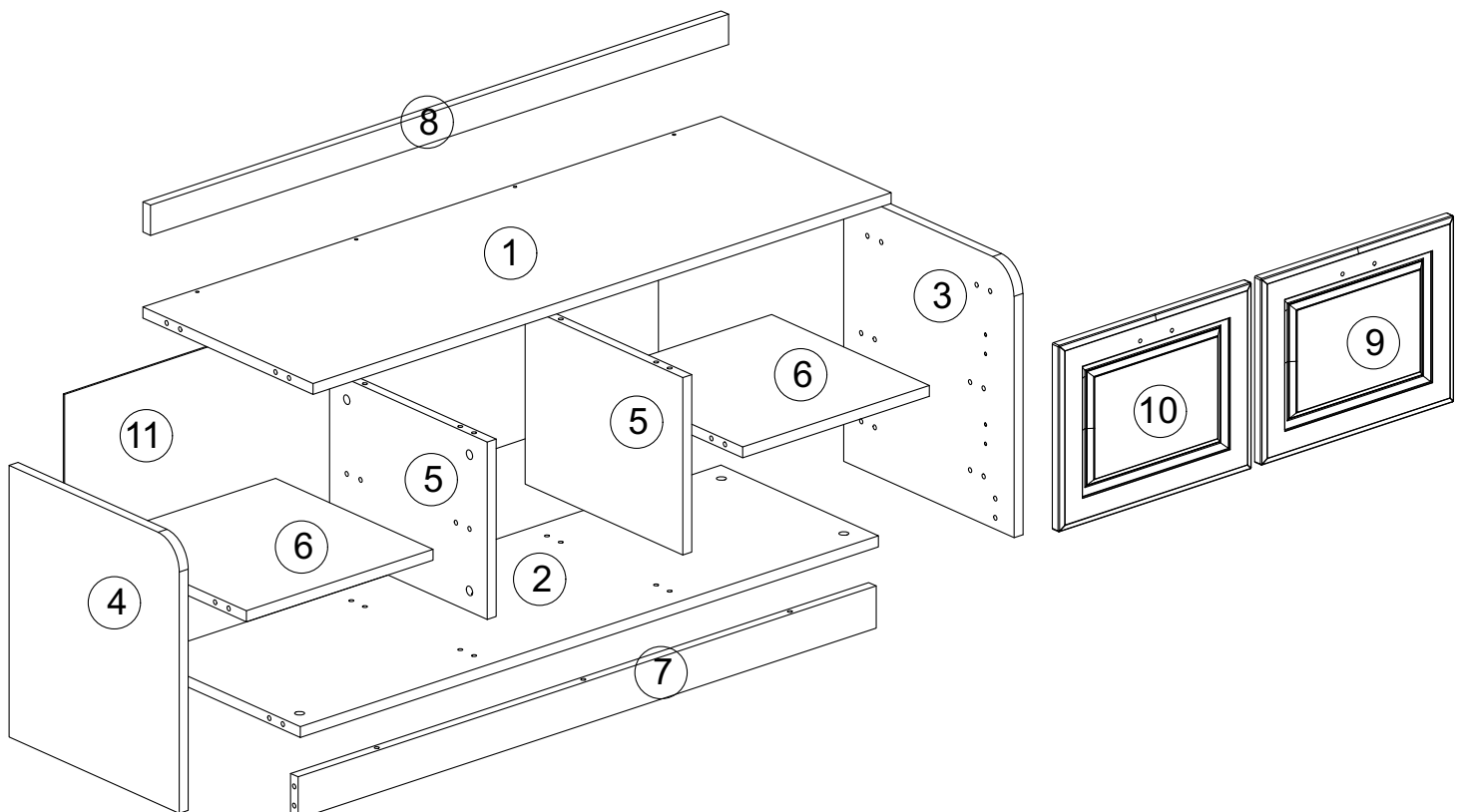


The necessary tools (not included)

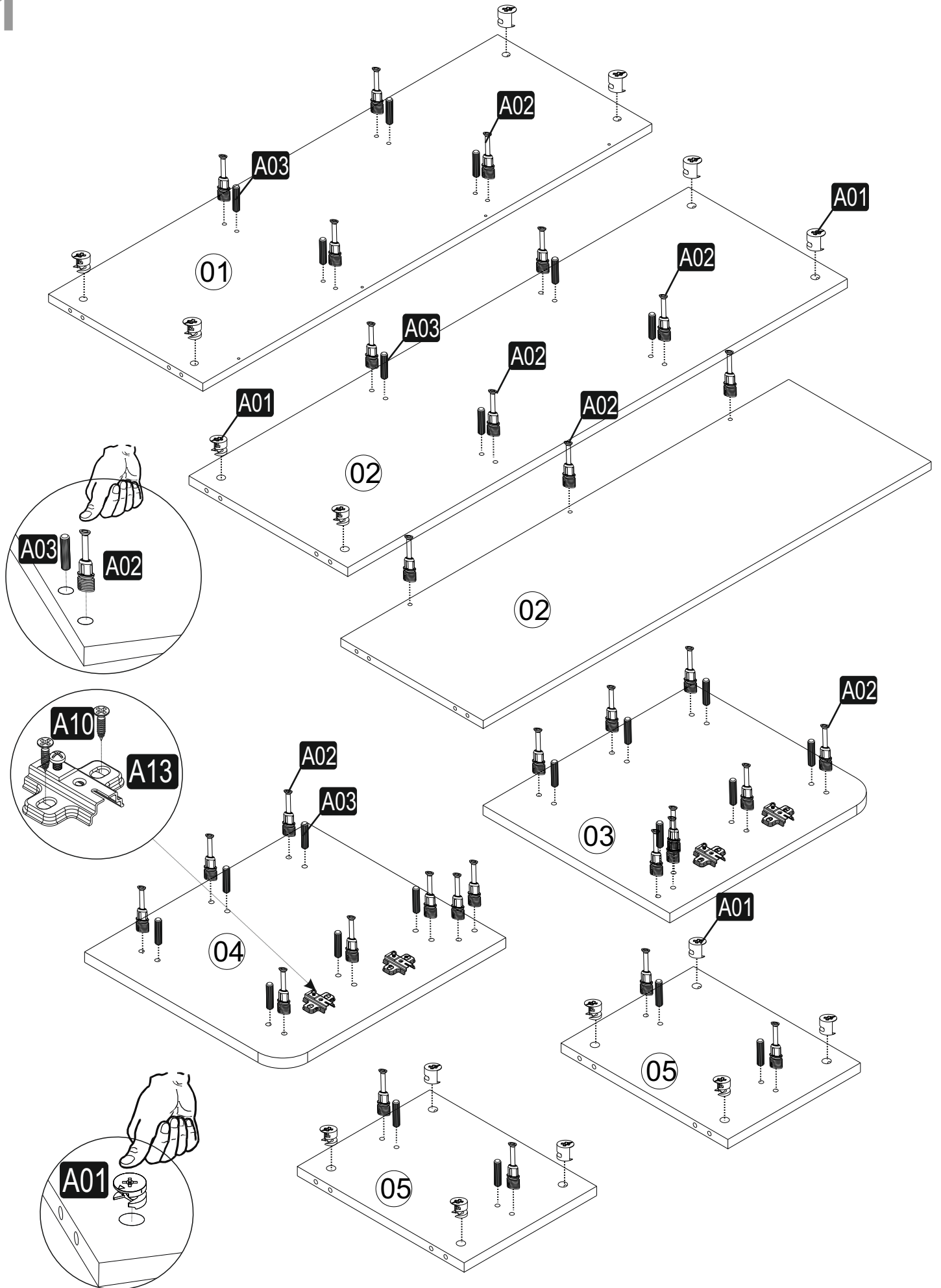
## ACCESSORY LIST

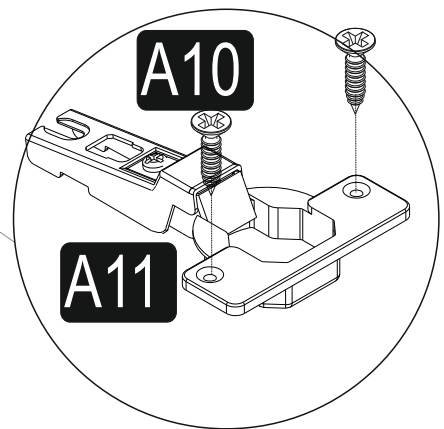
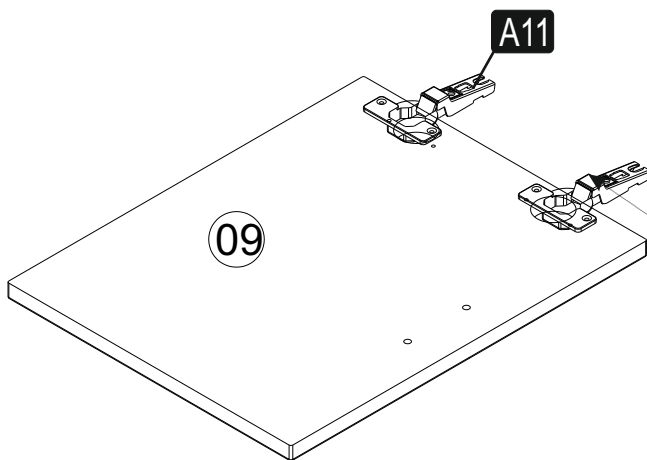
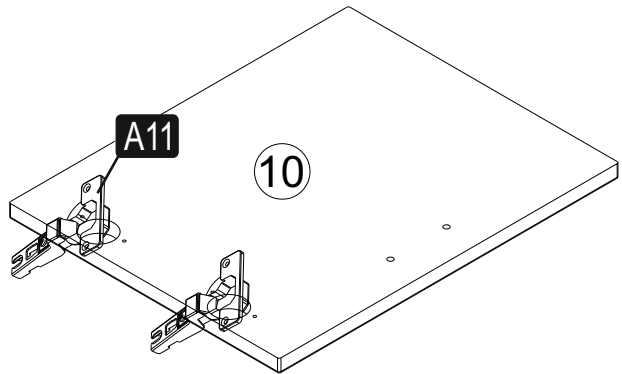
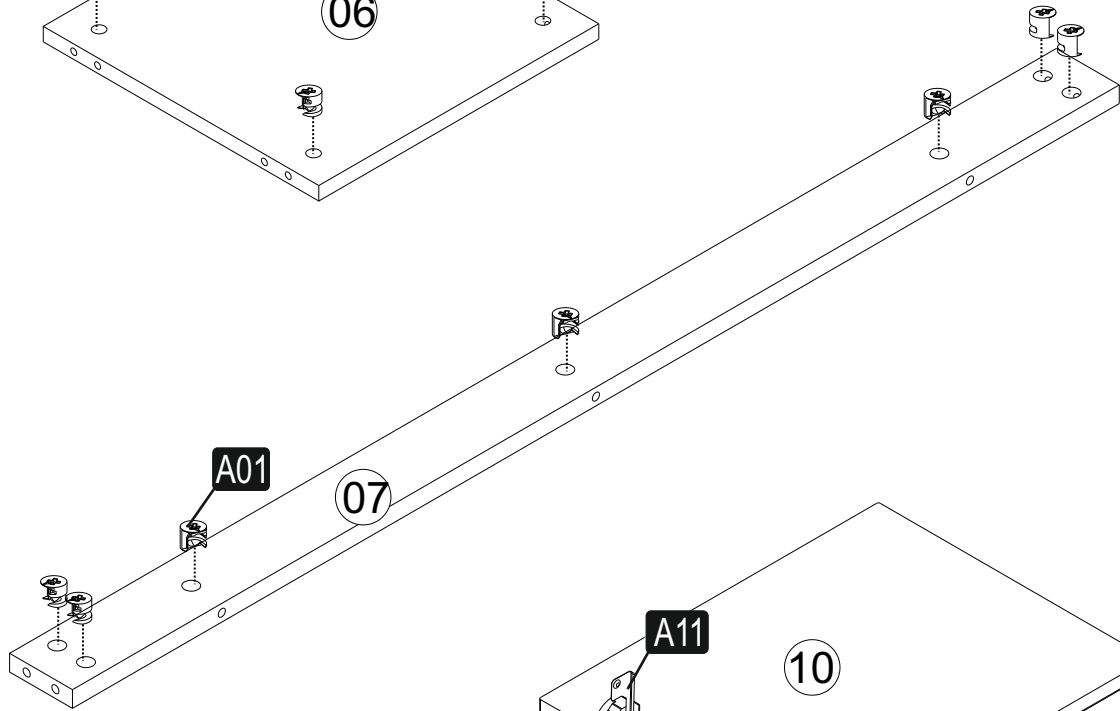
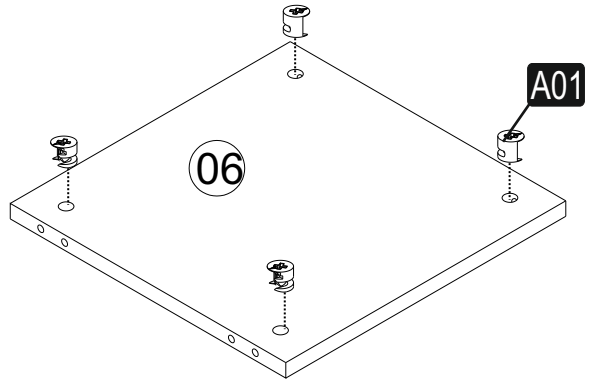
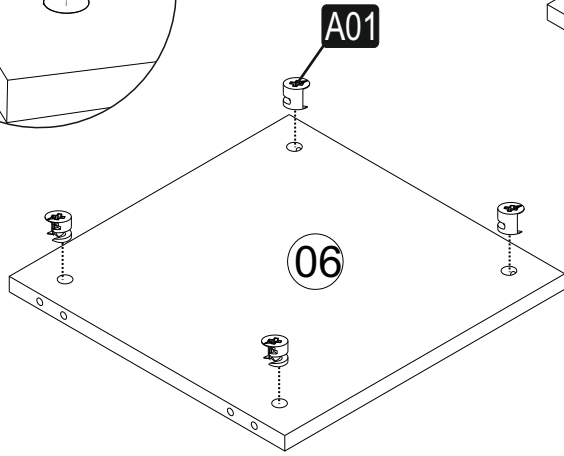
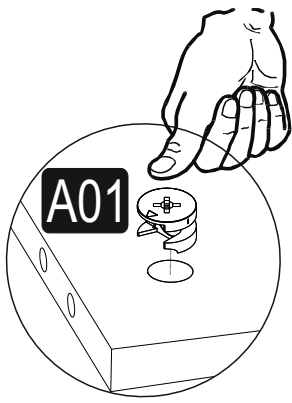
<b>A01</b>  31x	<b>A02</b>  31x	<b>A03</b>  24x	<b>A28</b>  30x	<b>A13</b> MA  4x
<b>A11</b> SPM  4x	<b>A10</b> 3,5x18 YHB  16x	<b>A14</b> M4x22  4x	<b>D51</b>  2x	<b>A09</b> 4x50 YHB  4x
<b>A16</b>  A 4x	<b>A04</b>  A 31x			

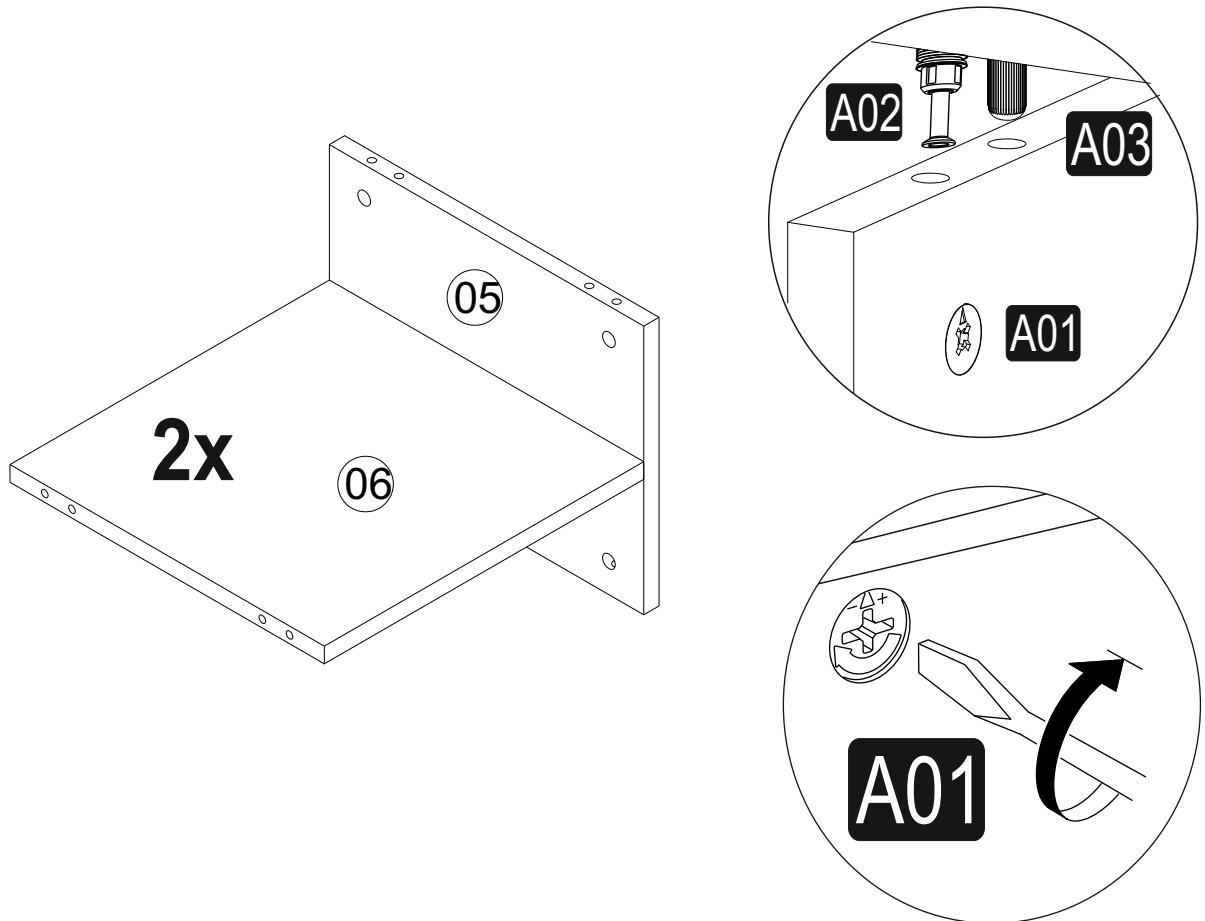
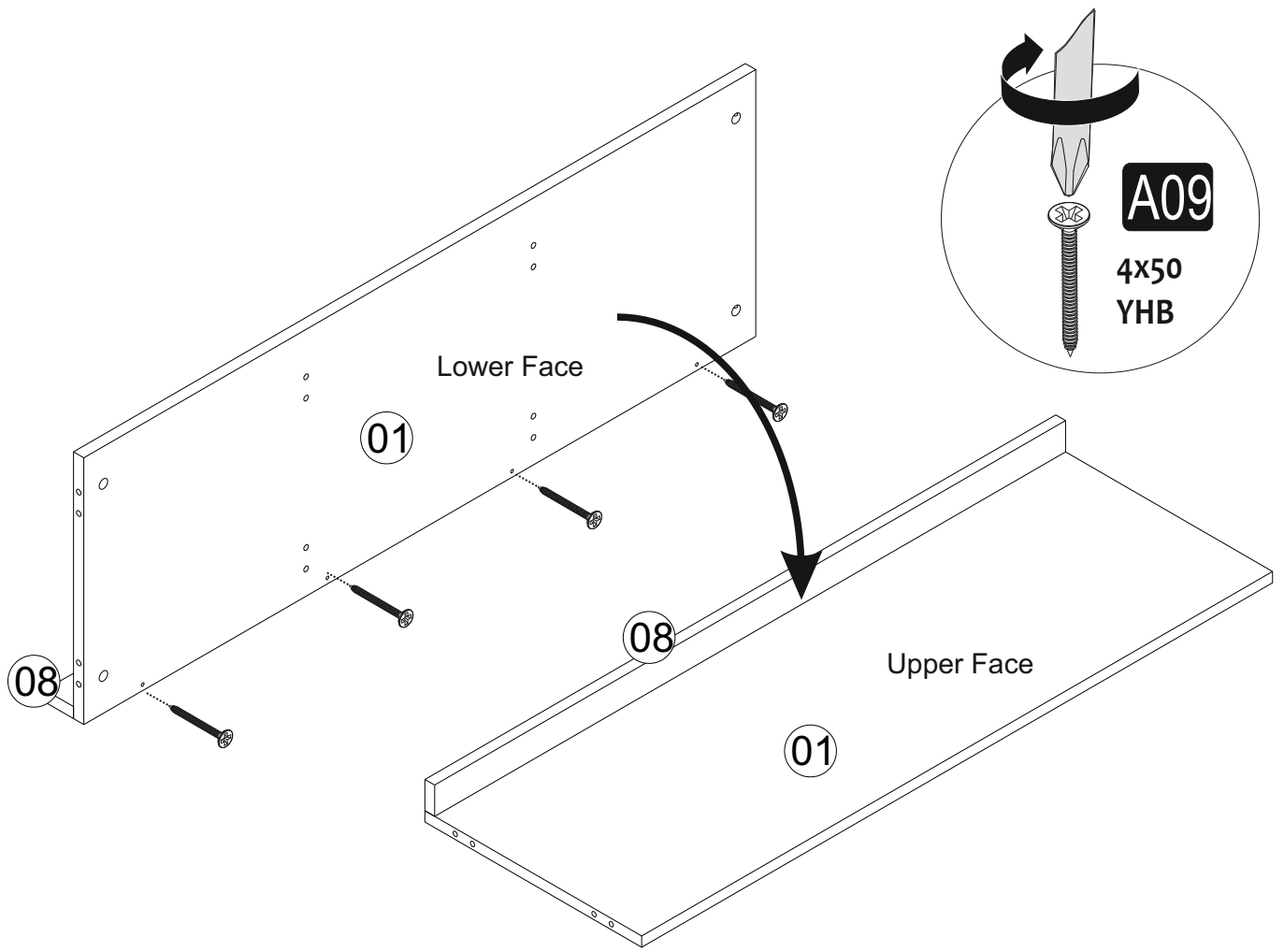
## GENERAL VIEW

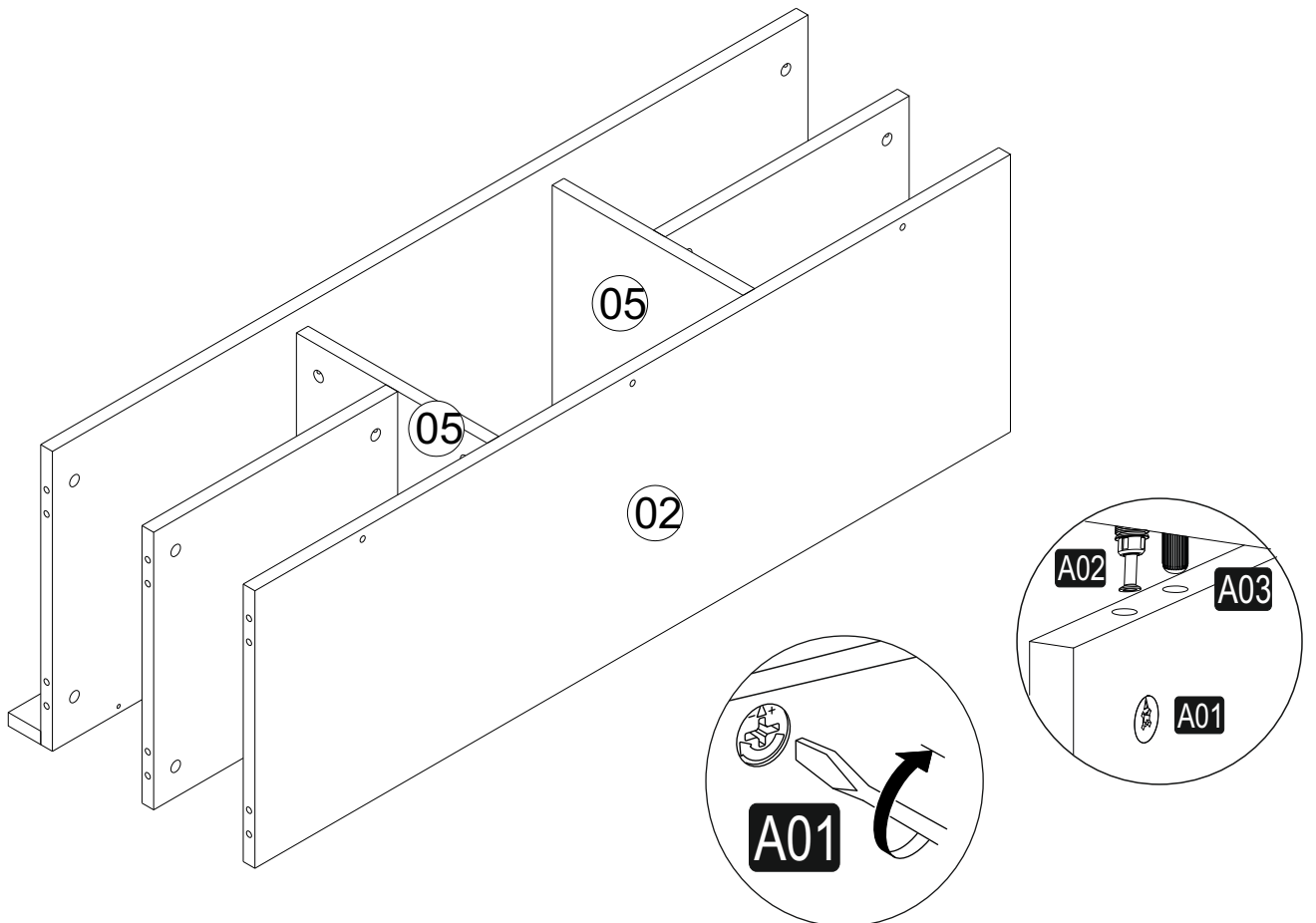
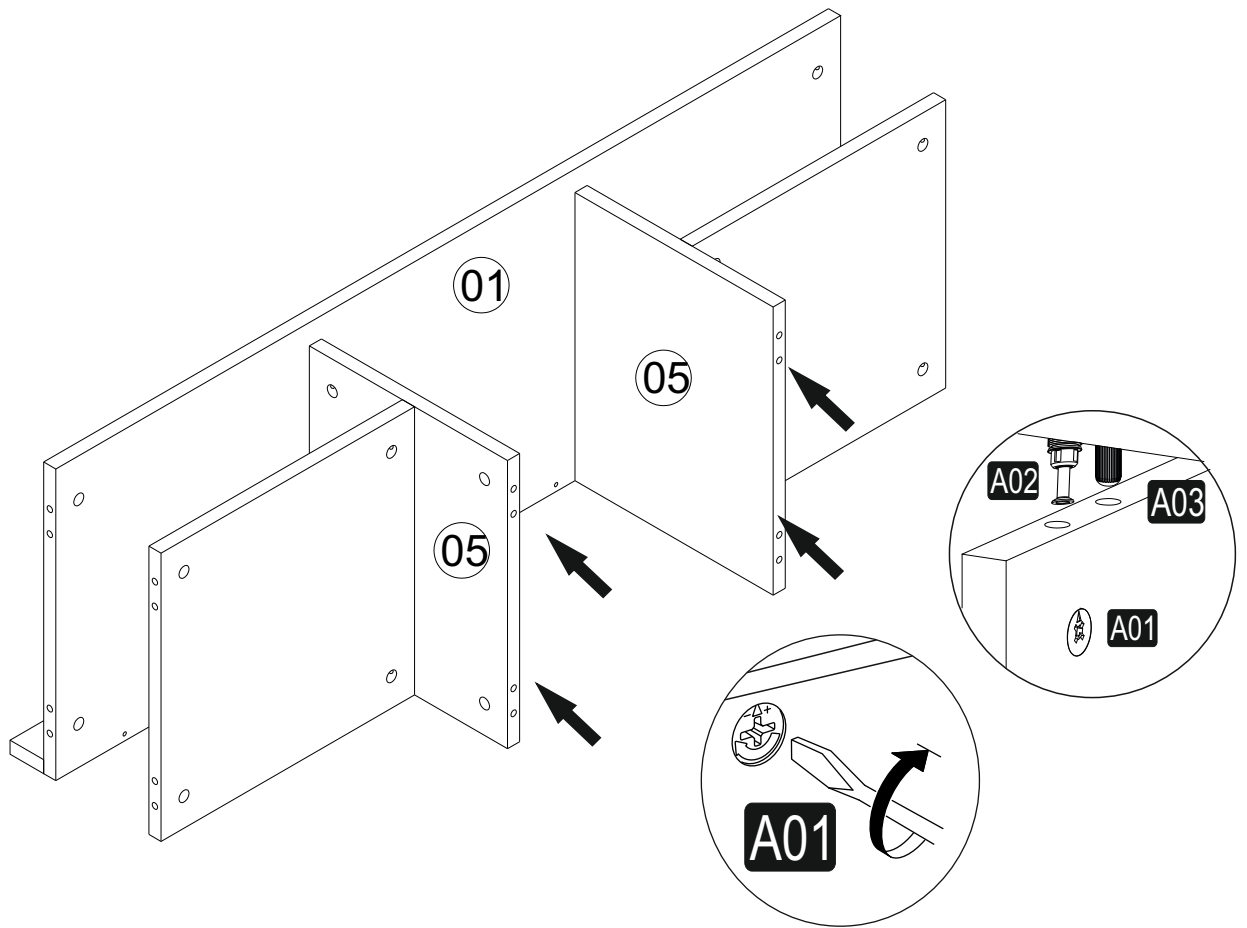


1

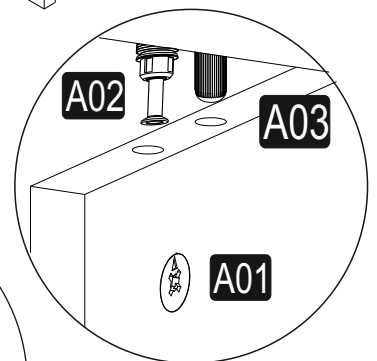
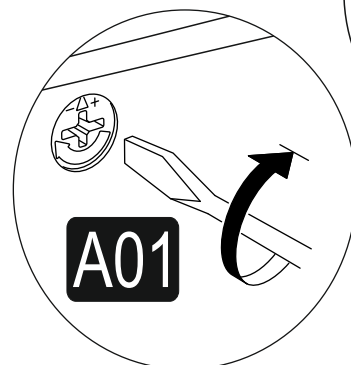
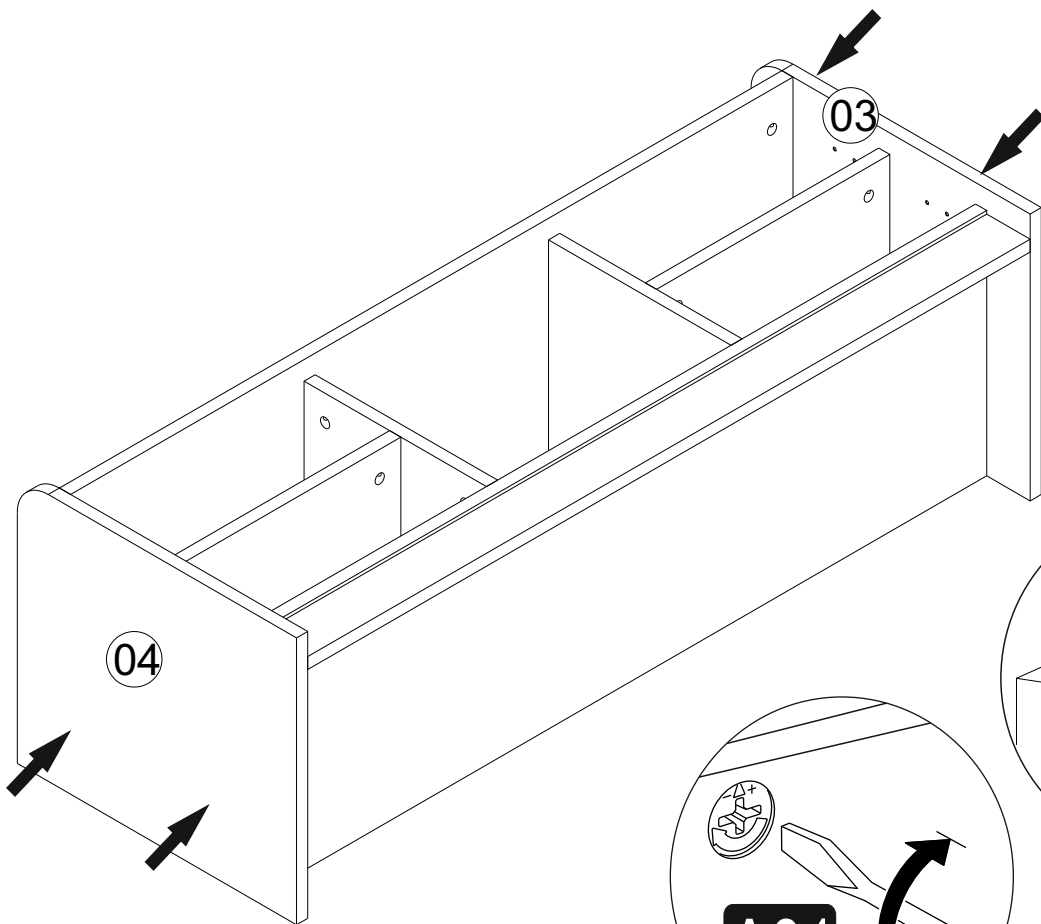
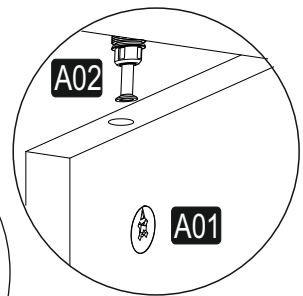
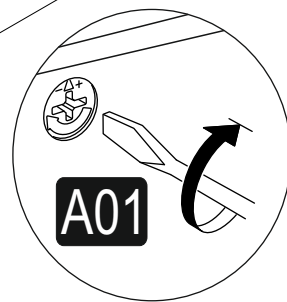
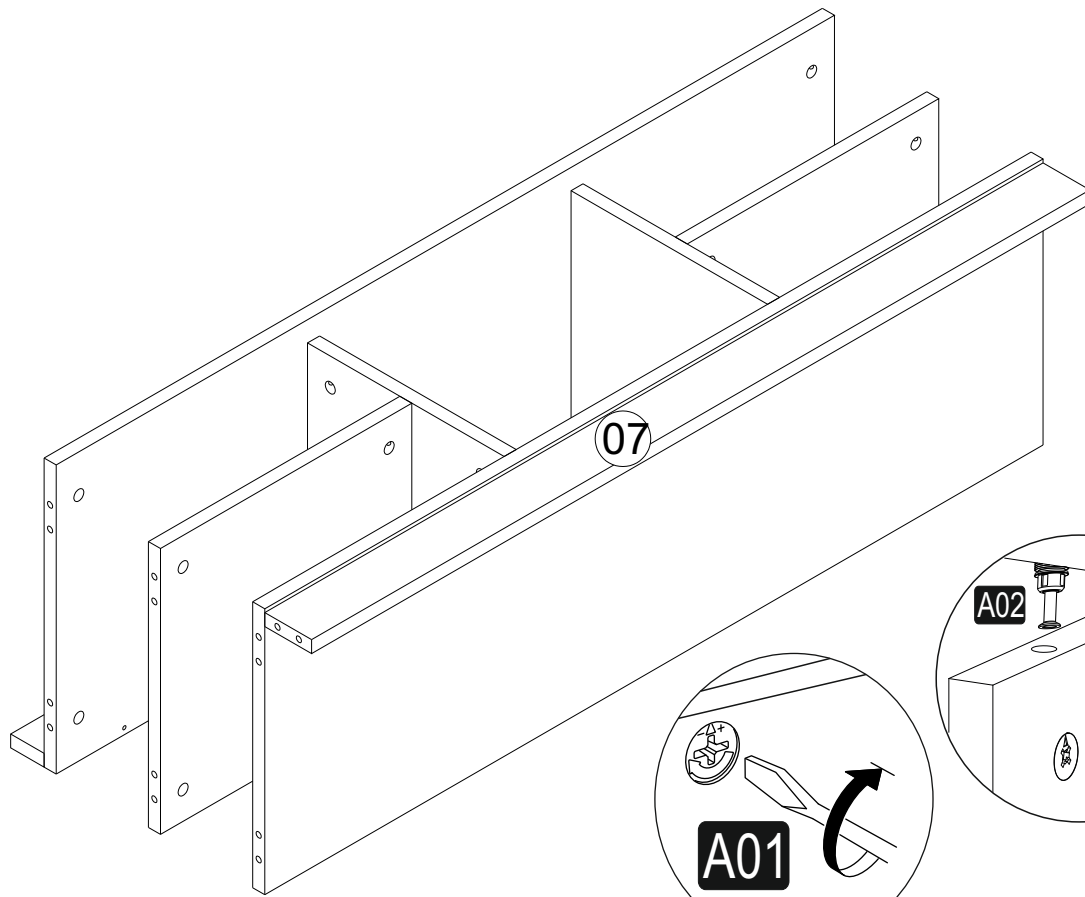


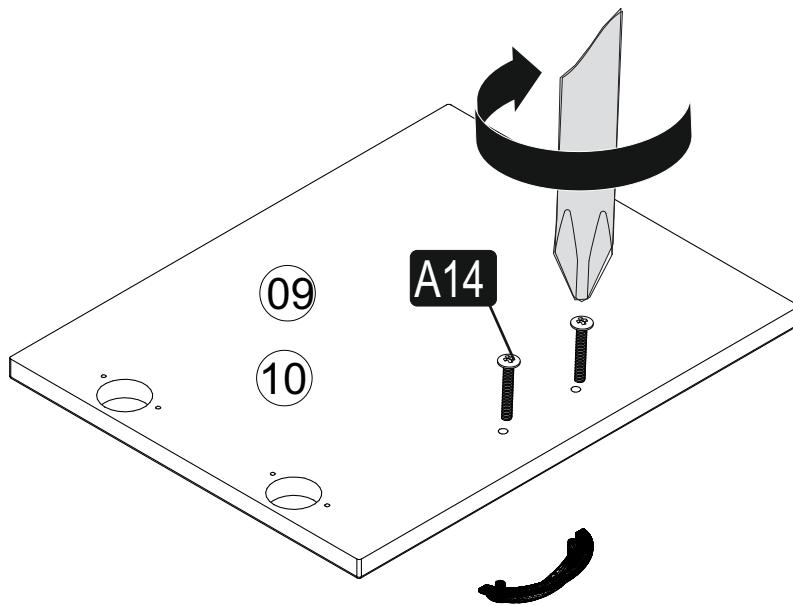
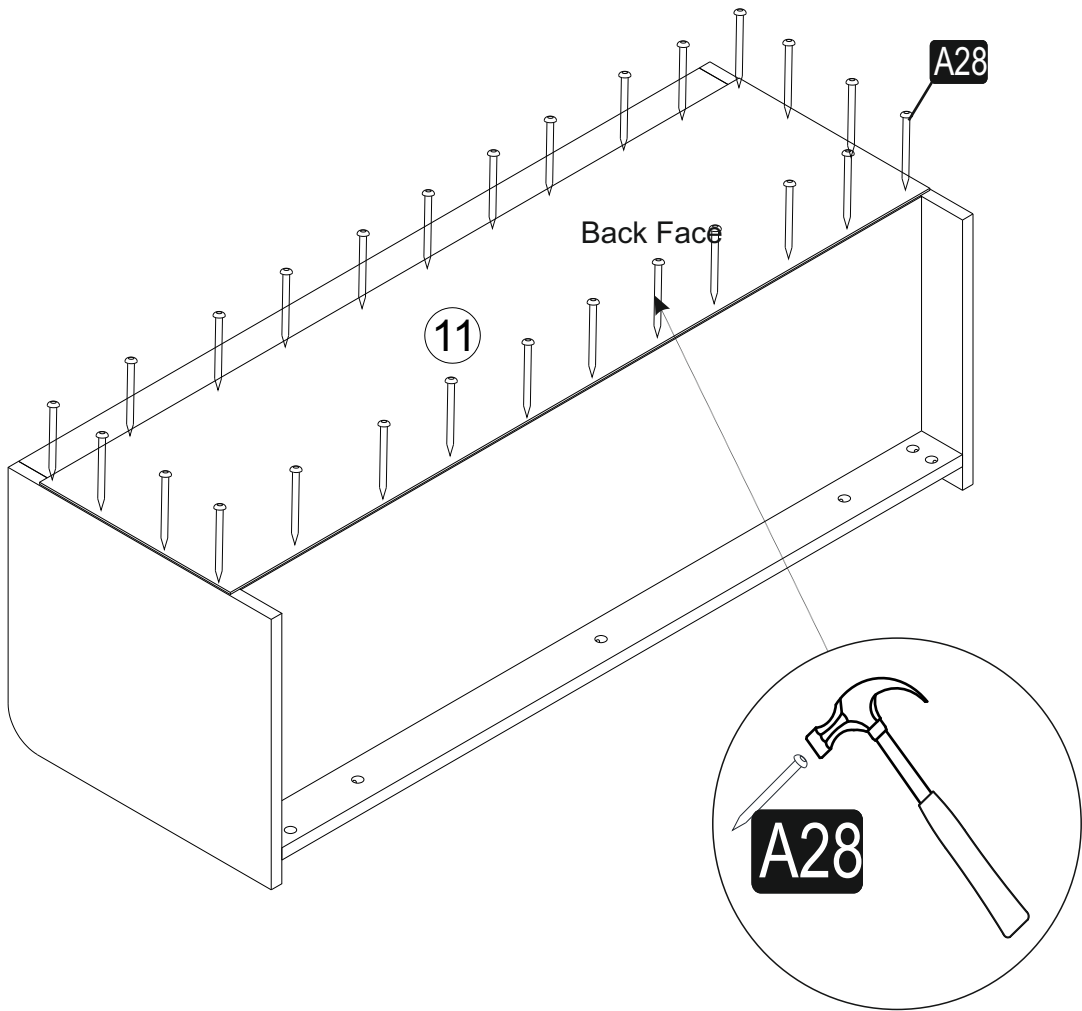


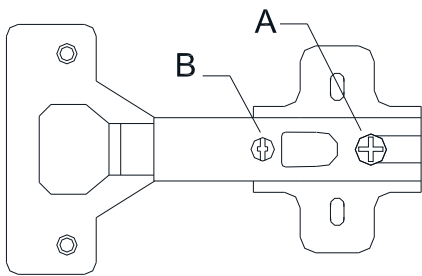
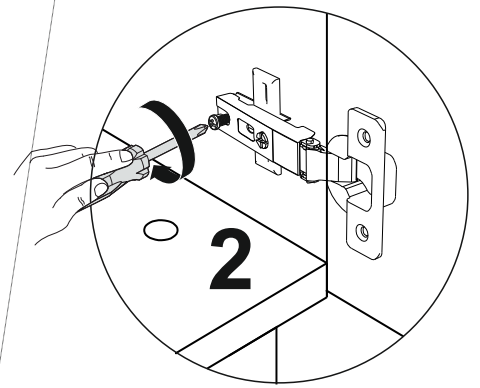
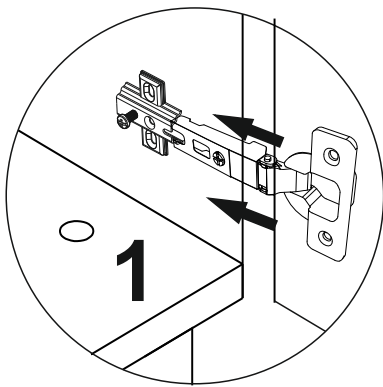
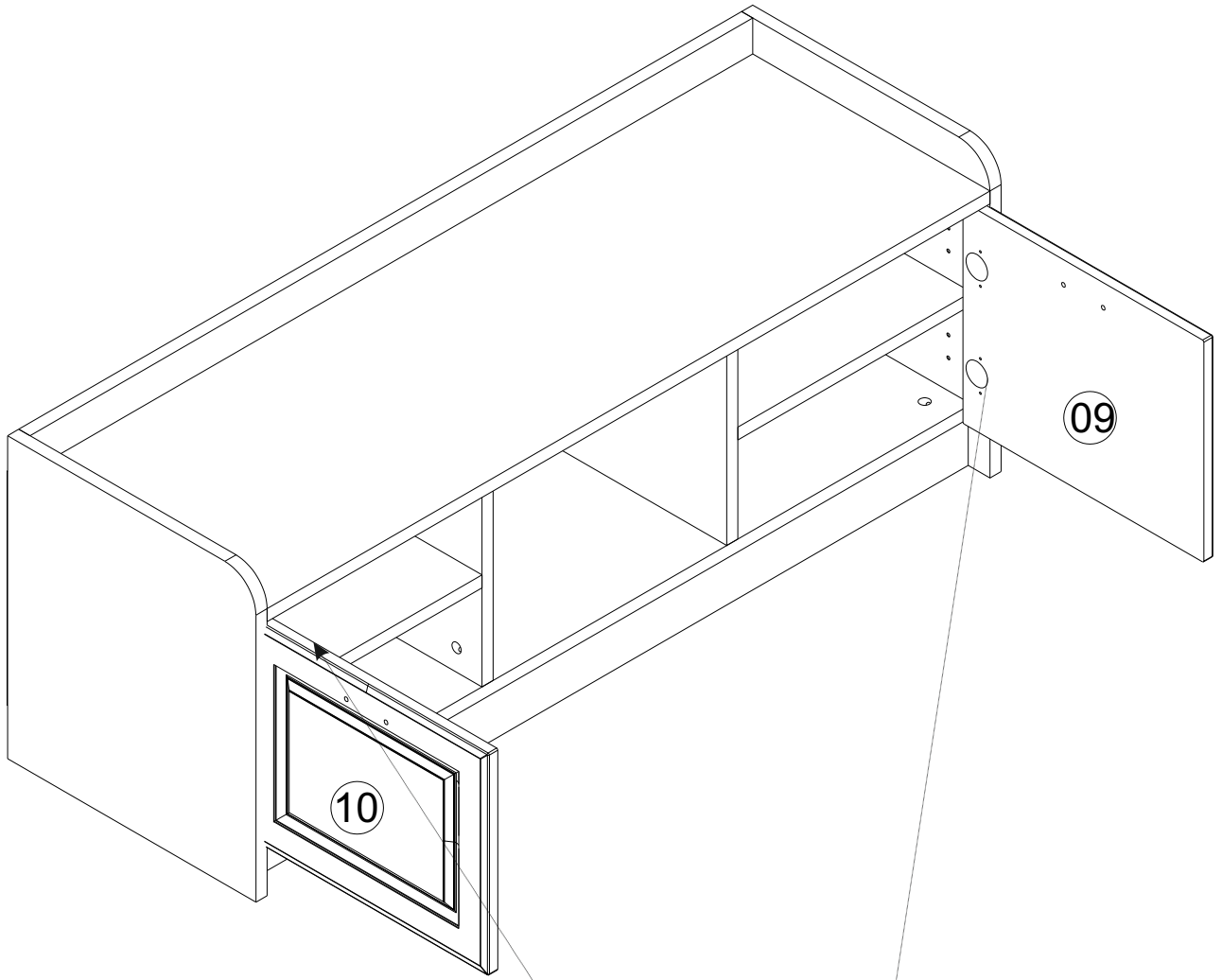






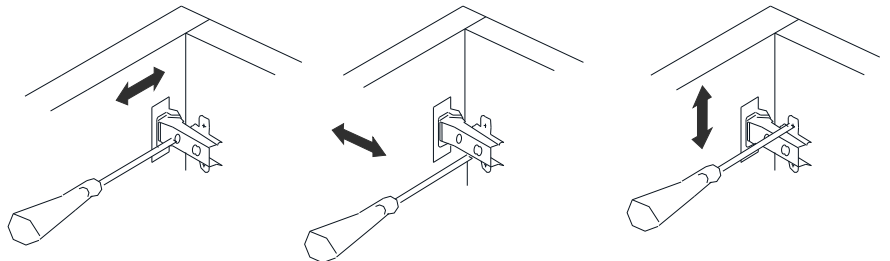






A=  
B=

to connect the hinge to the door  
to arrange the door



arrows to show the directions for arrangement of doors.

