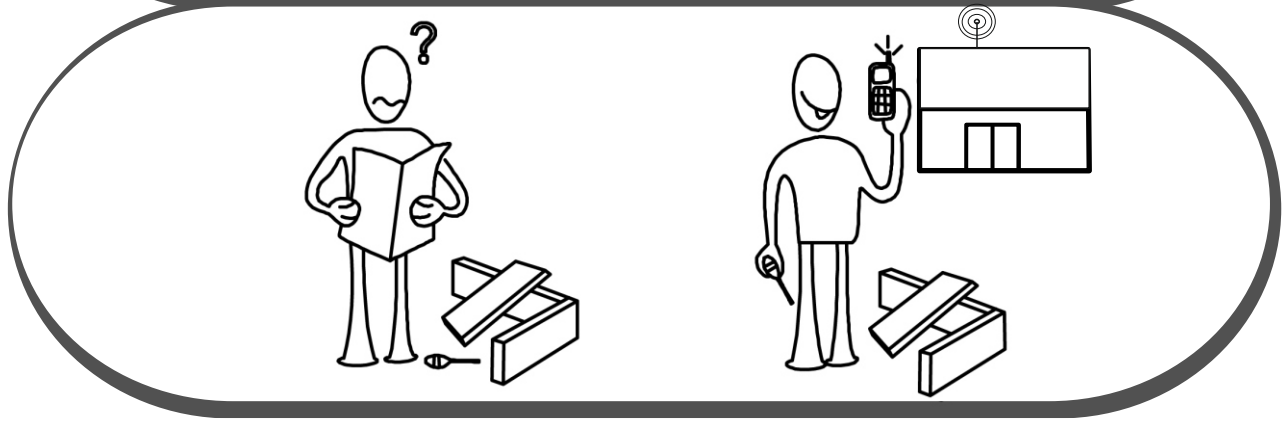
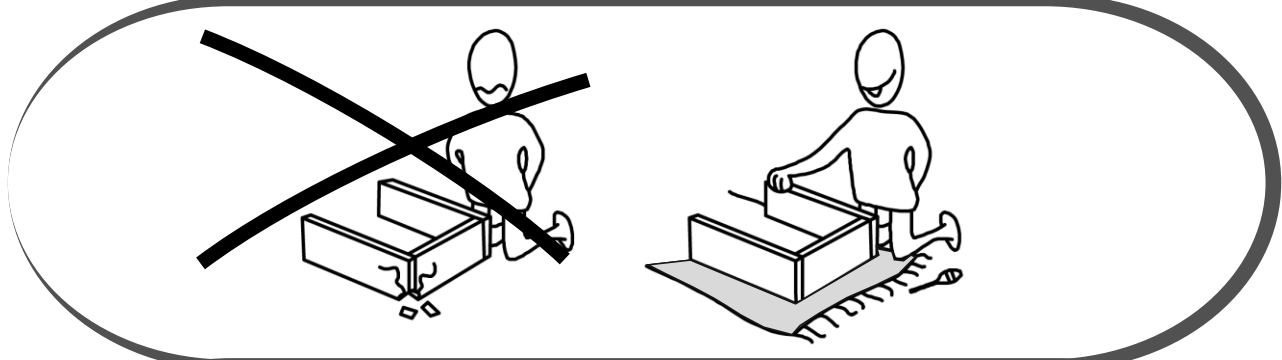
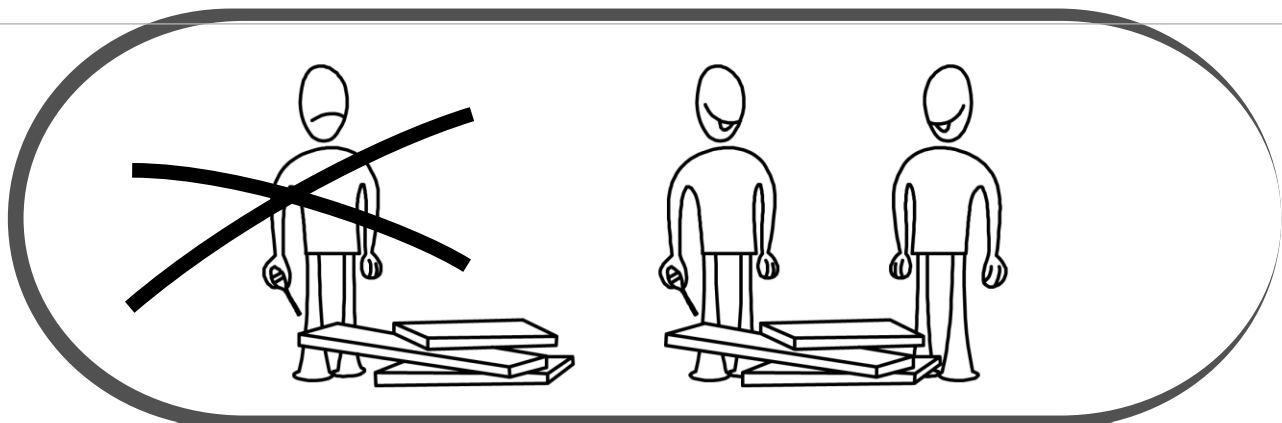
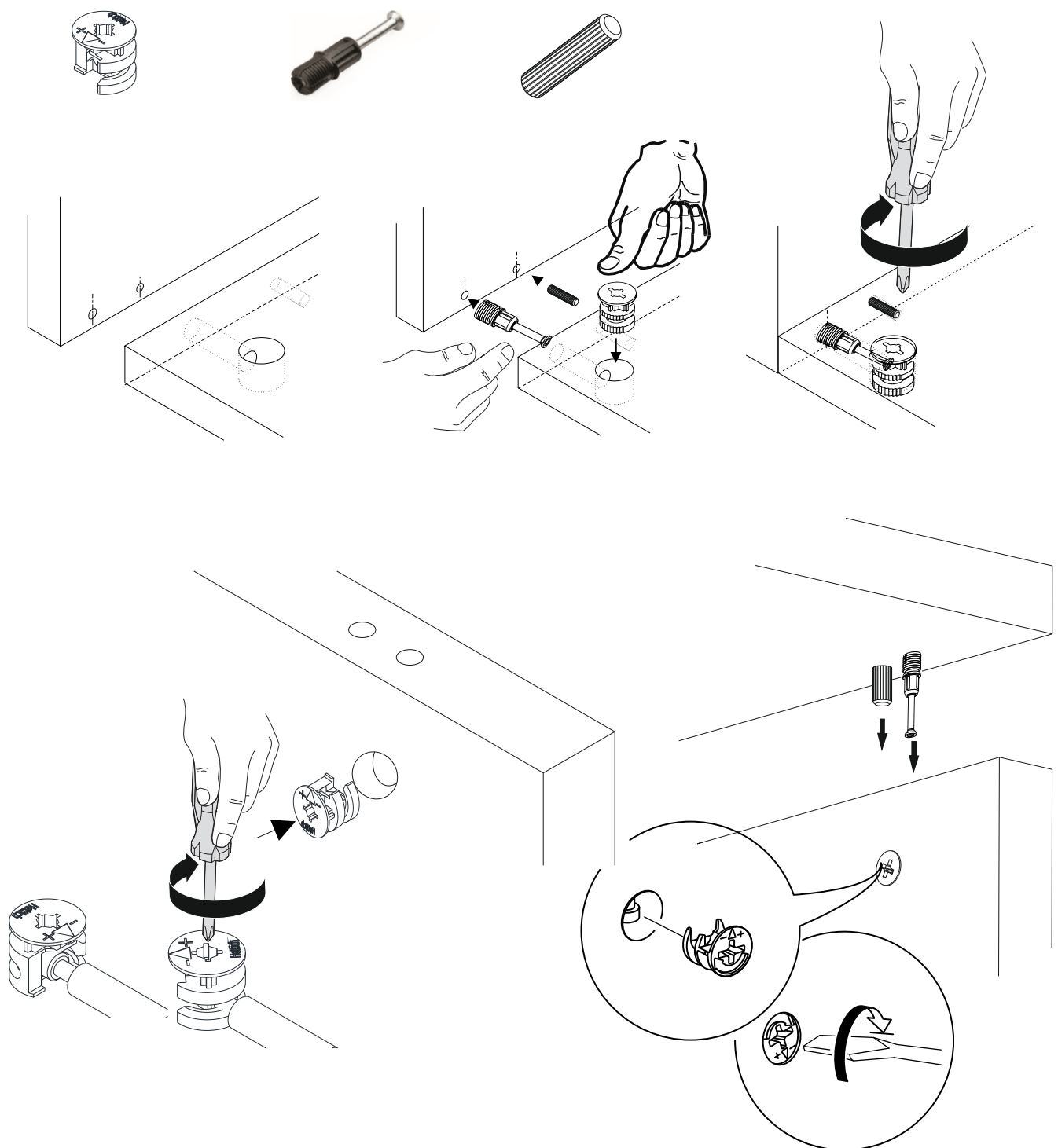
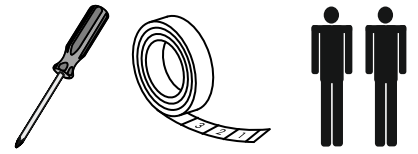


GP042-0202,1







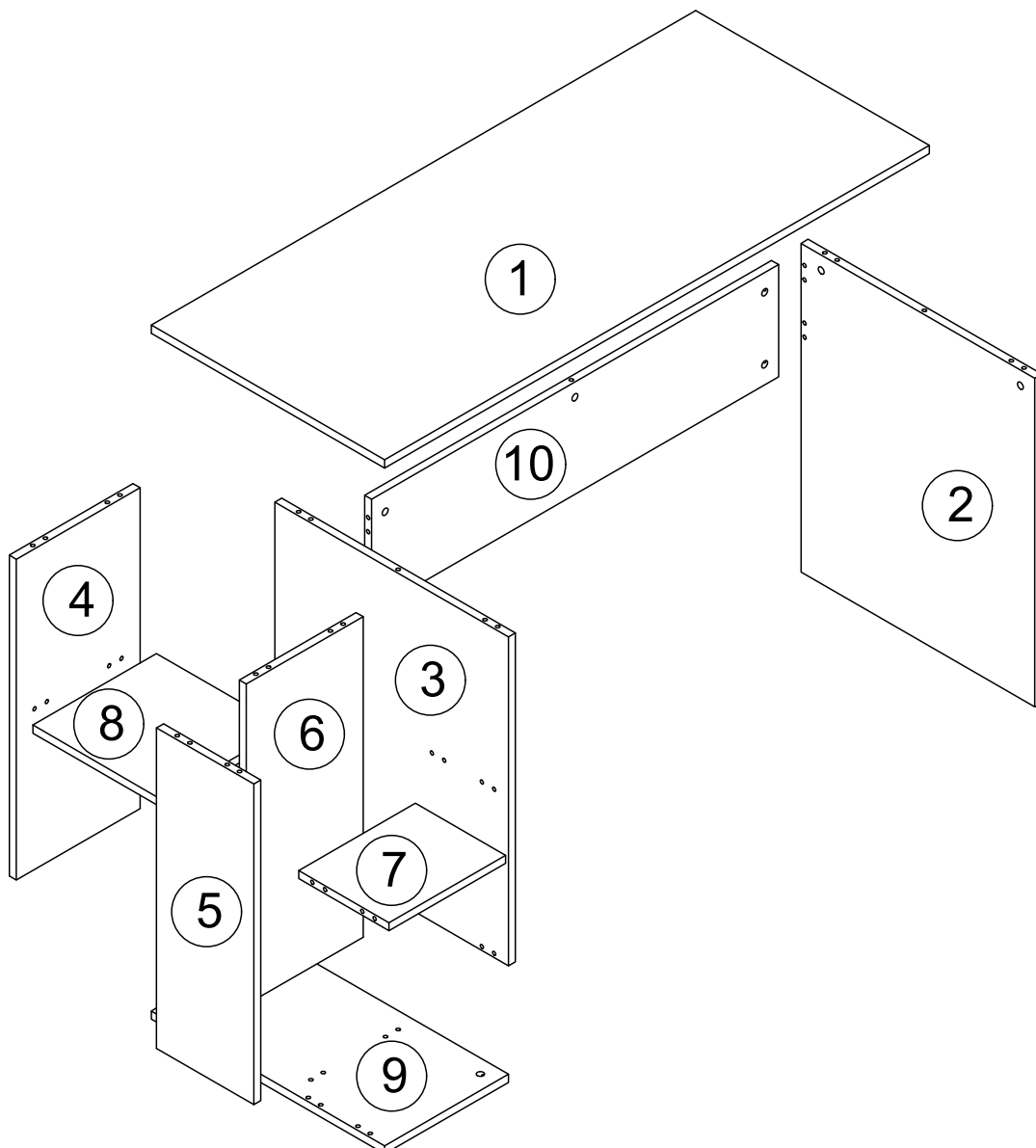


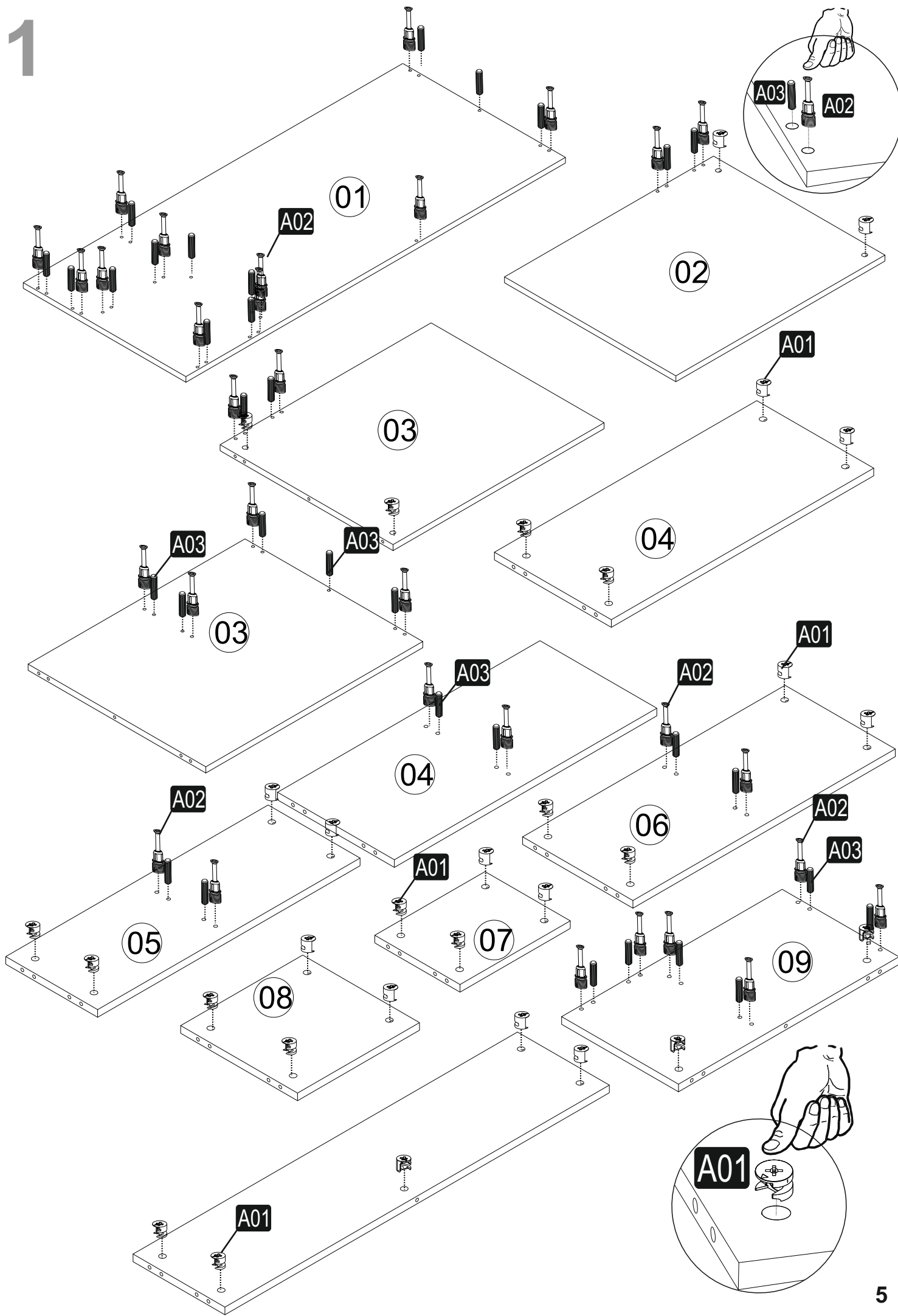
The necessary tools (not included)

ACCESSORY LIST

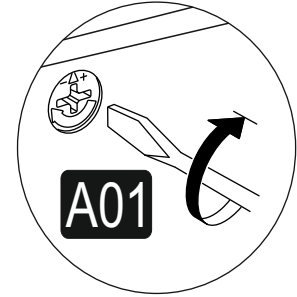
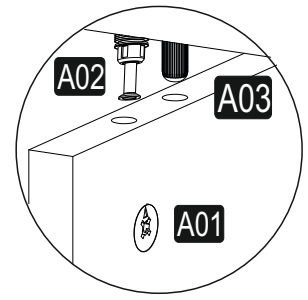
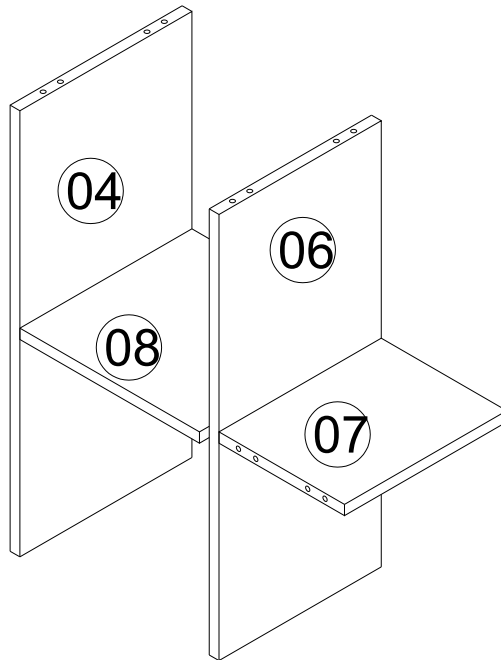
| | | | |
|---|---|---|--|
| A01  31x | A02  31x | A03  33x | A04  A 15x D 16x |
|---|---|---|--|

GENERAL VIEW

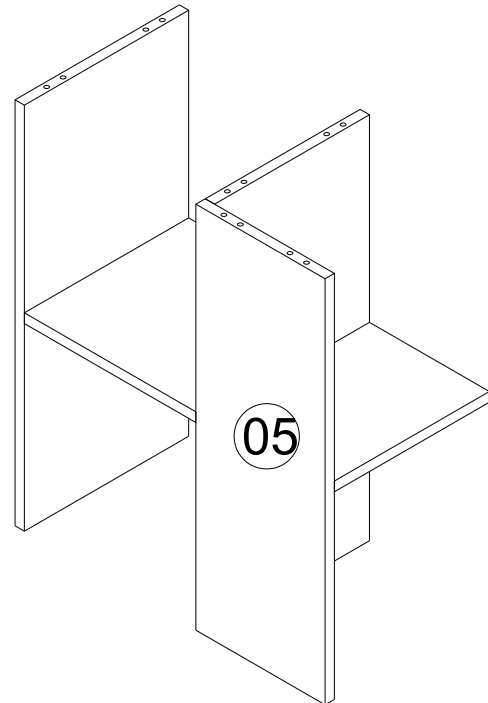
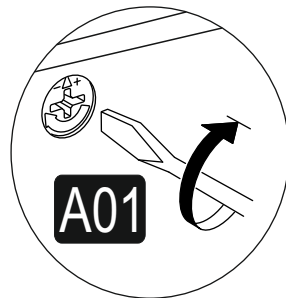
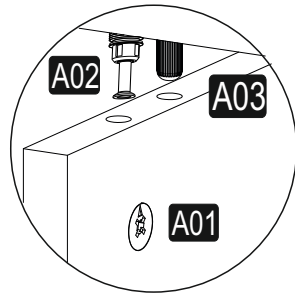




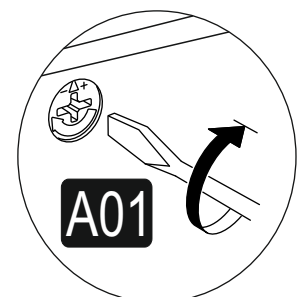
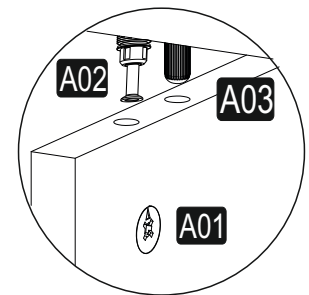
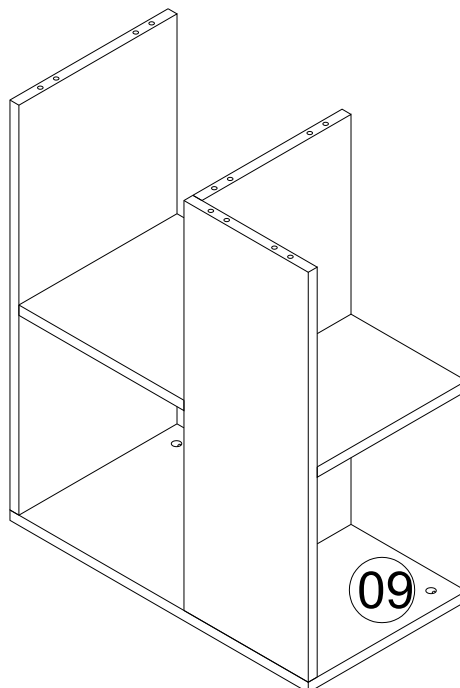
2



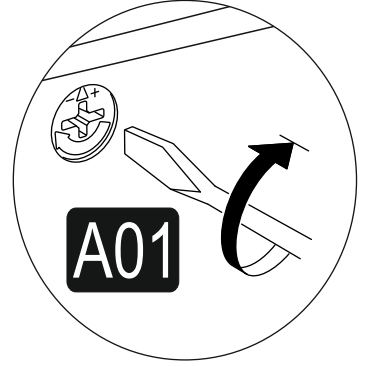
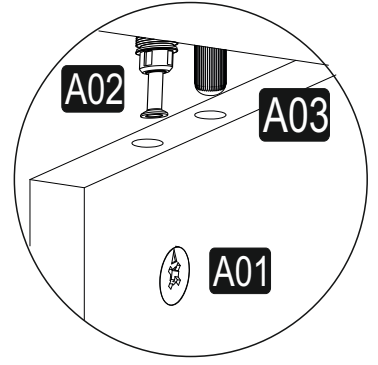
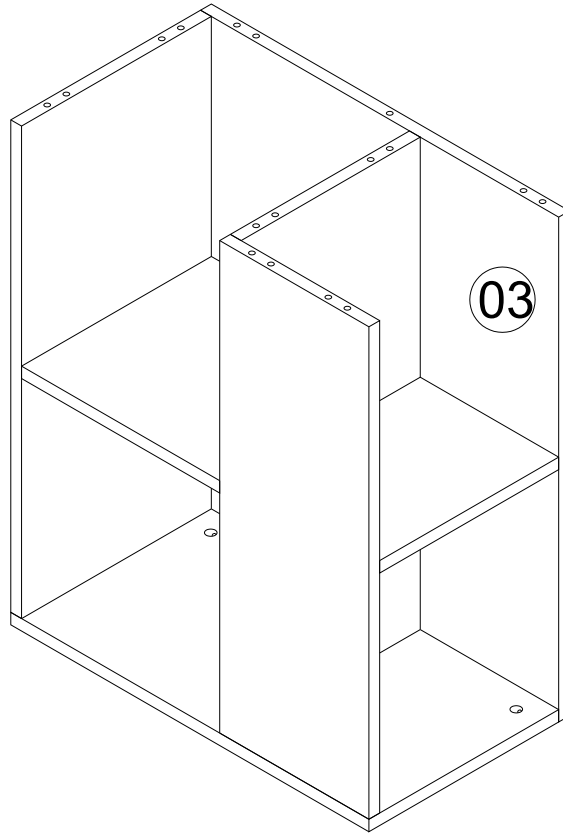
3



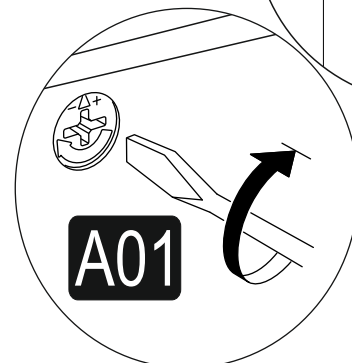
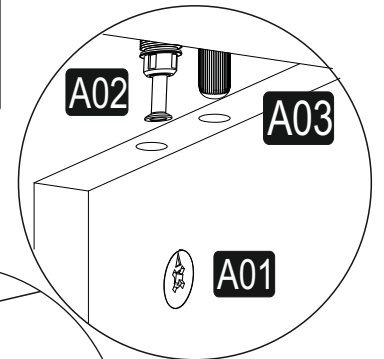
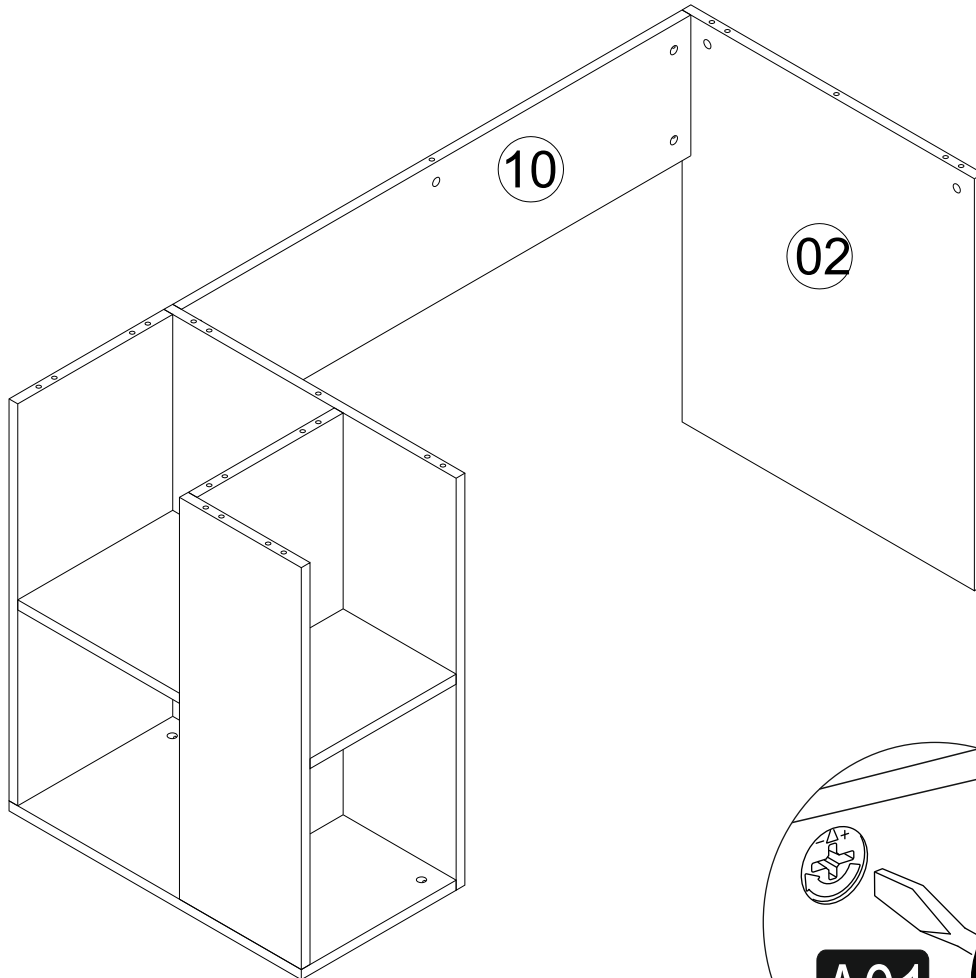
4



5



6



7

