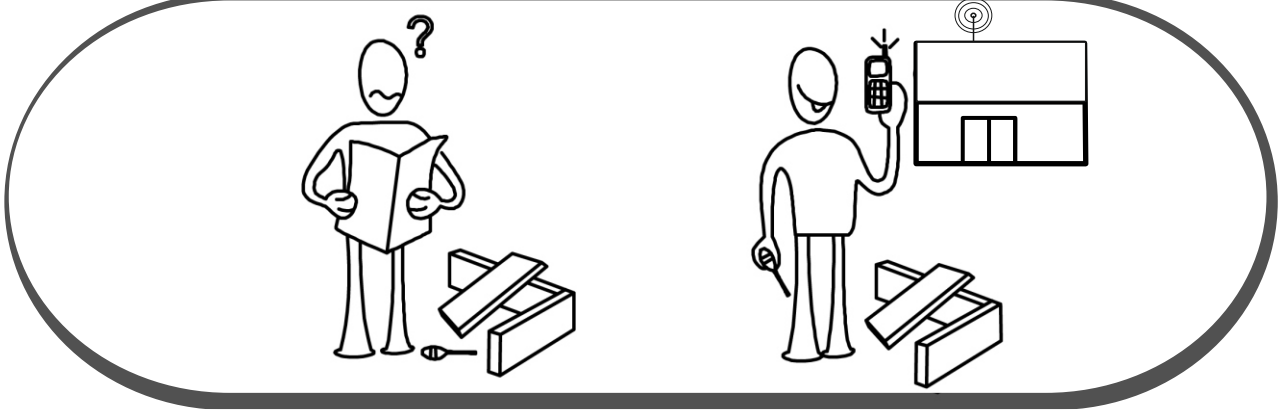
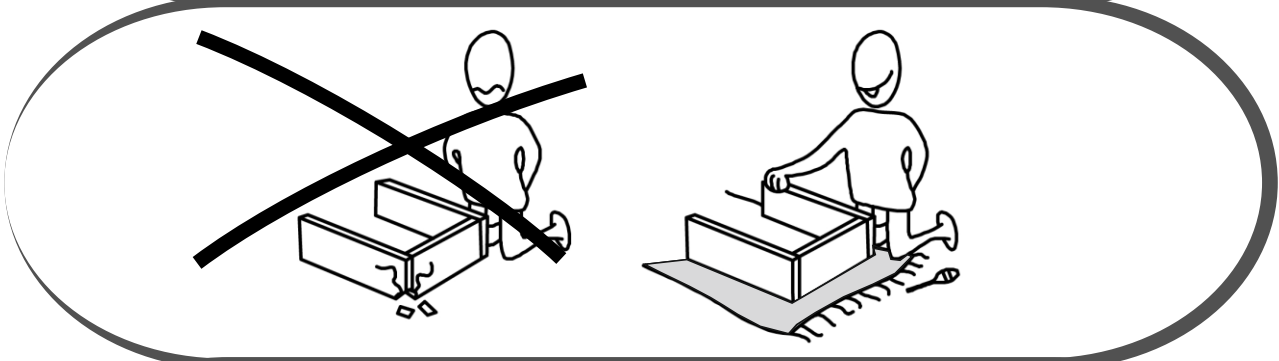
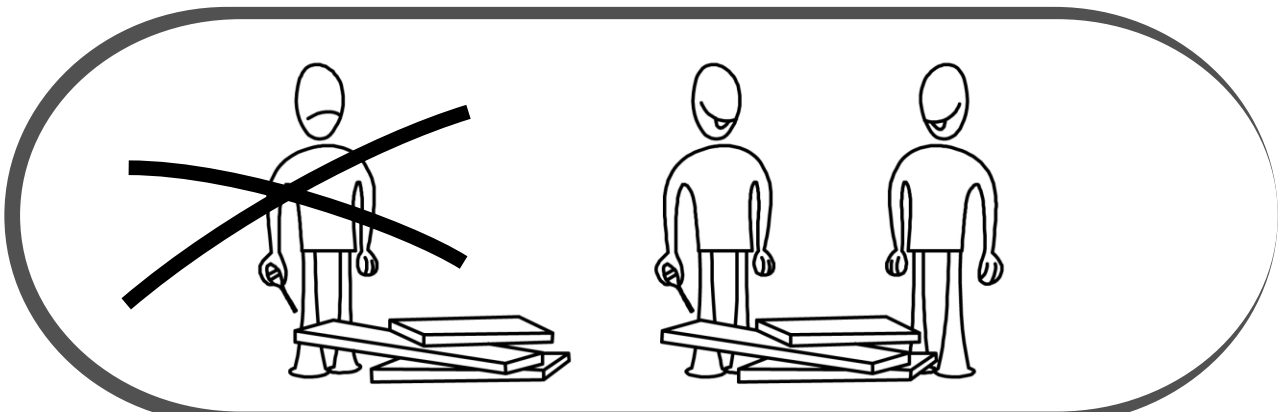
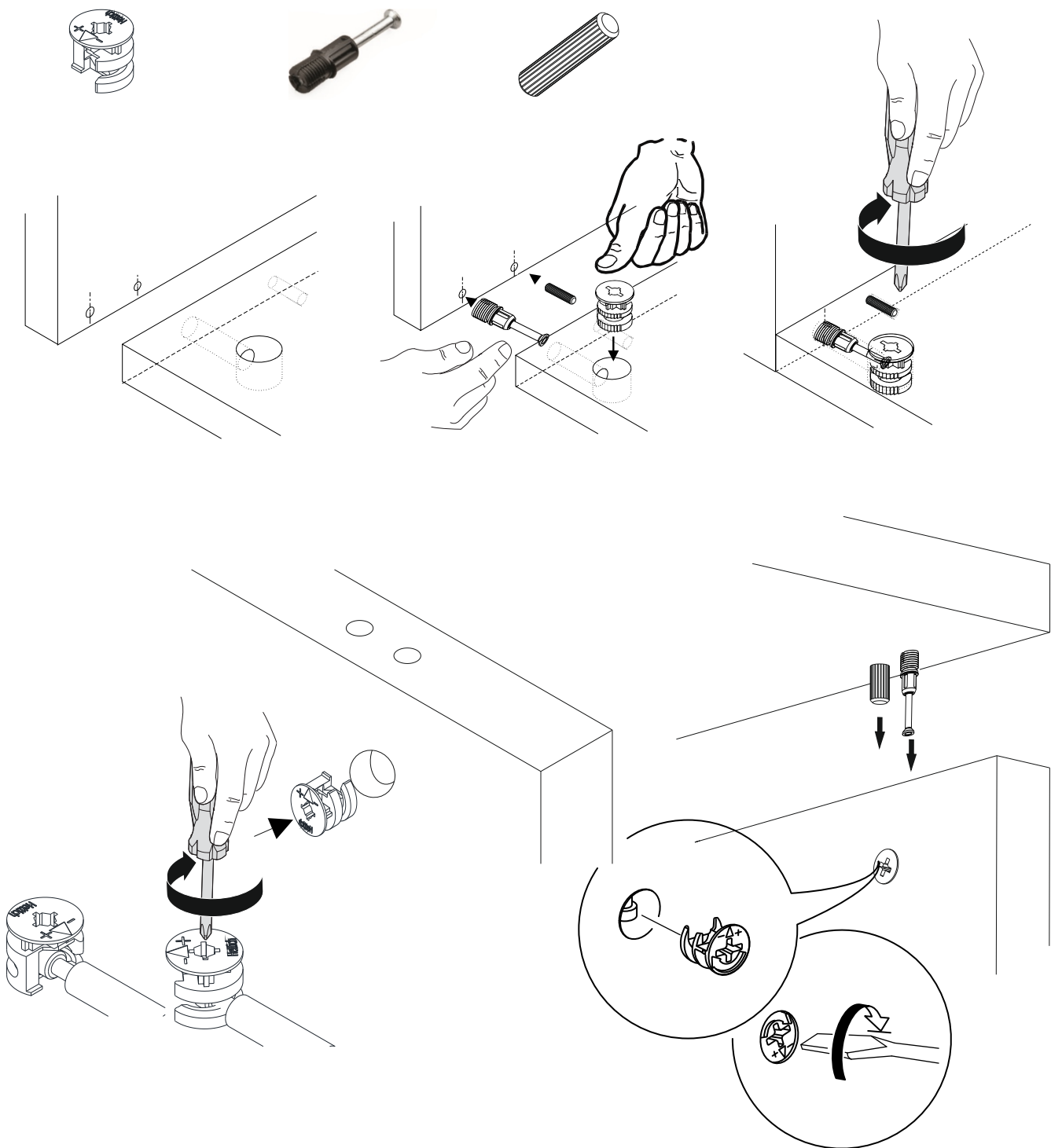
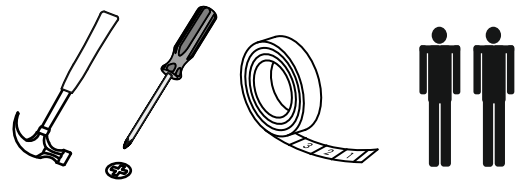


GP042-0196,4



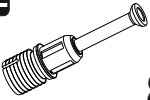

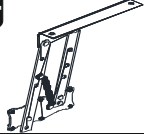
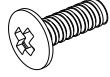
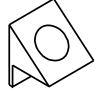






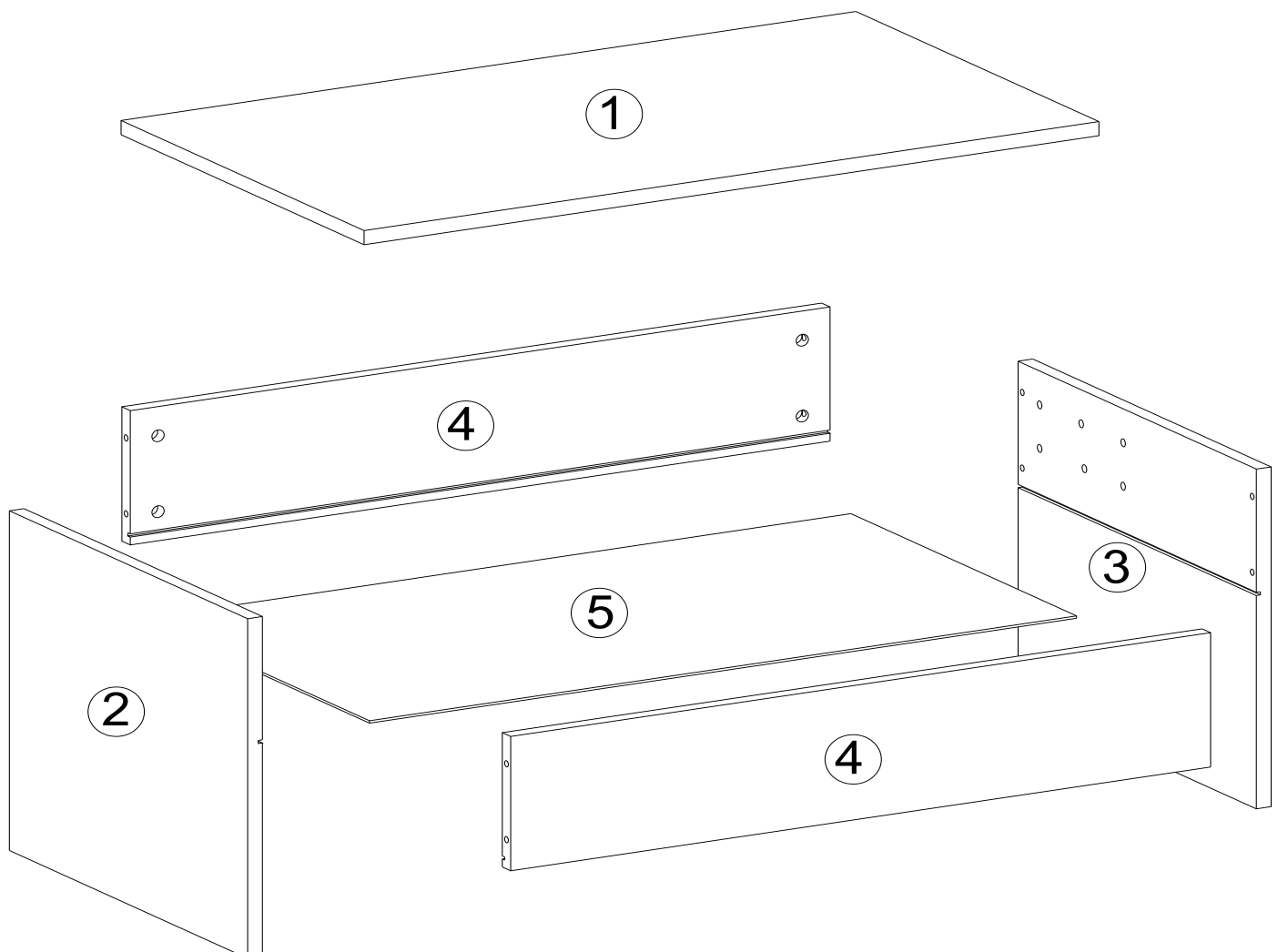


The necessary tools (not included)

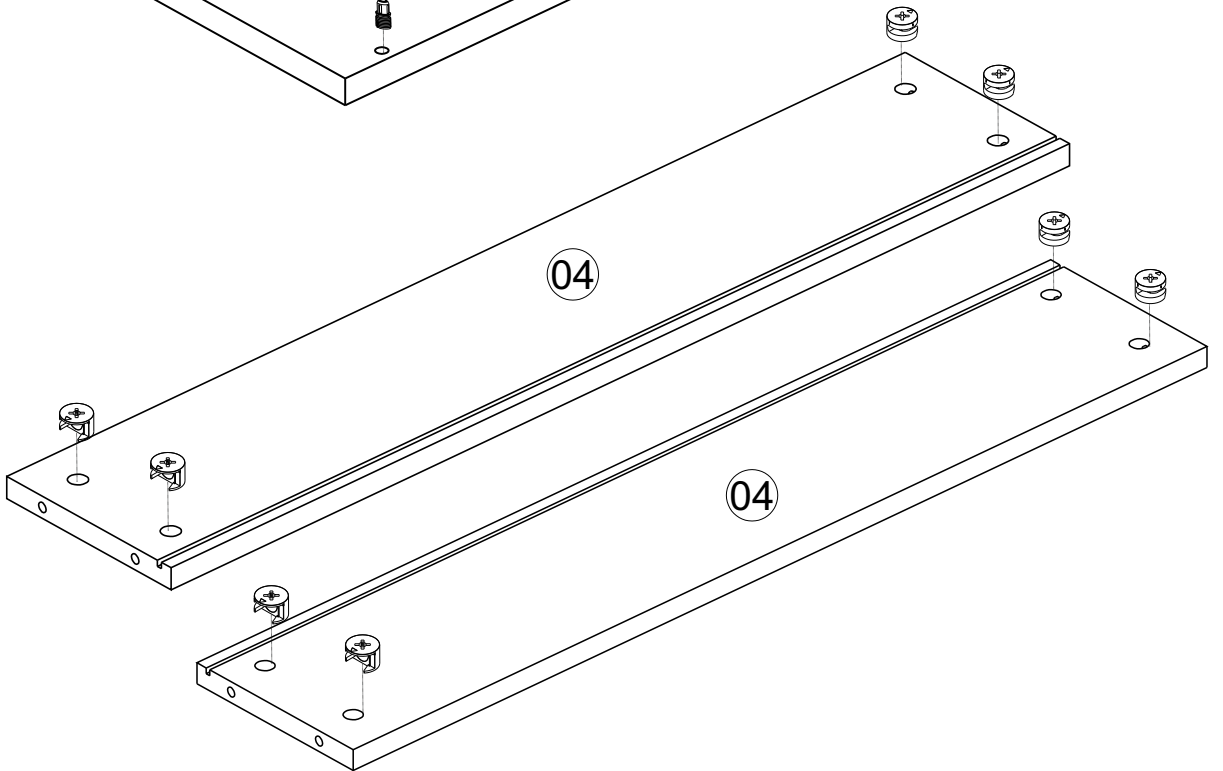
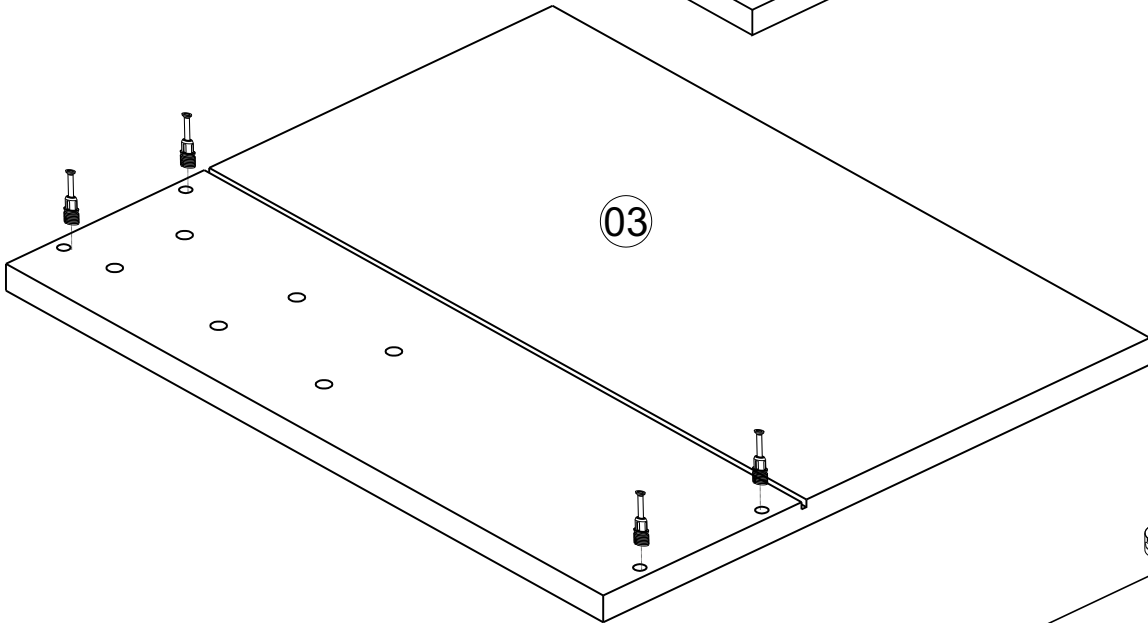
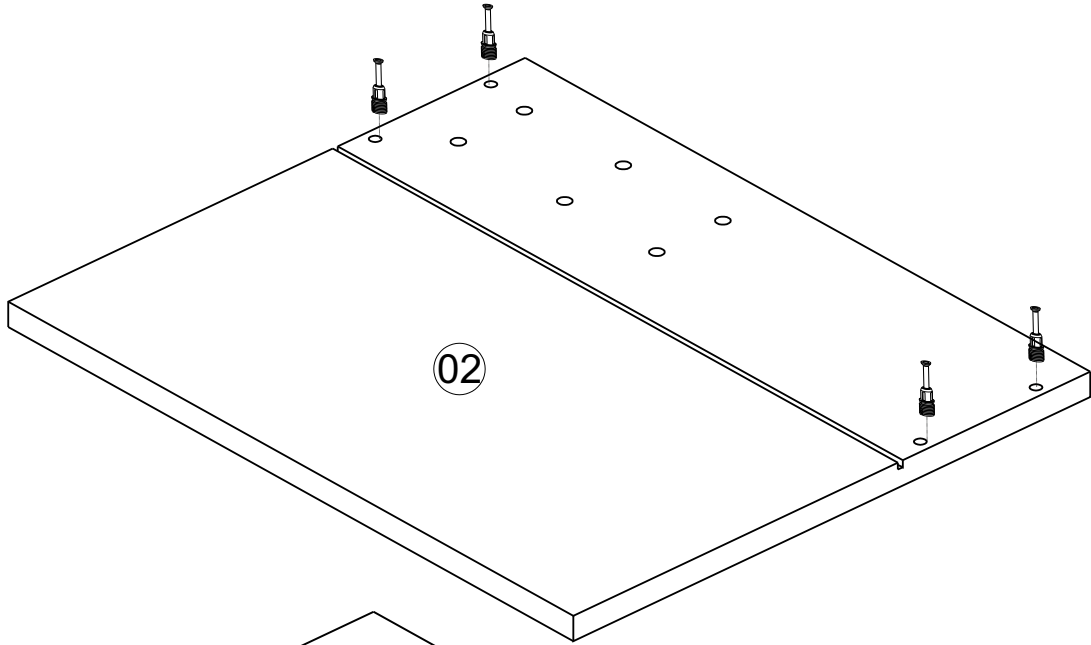
ACCESSORY LIST

A02  8x	A01  8x	B34  1x	B20 M6x10  16x	B36  10x
			A10 3,5x18  10x	A04  A 8x

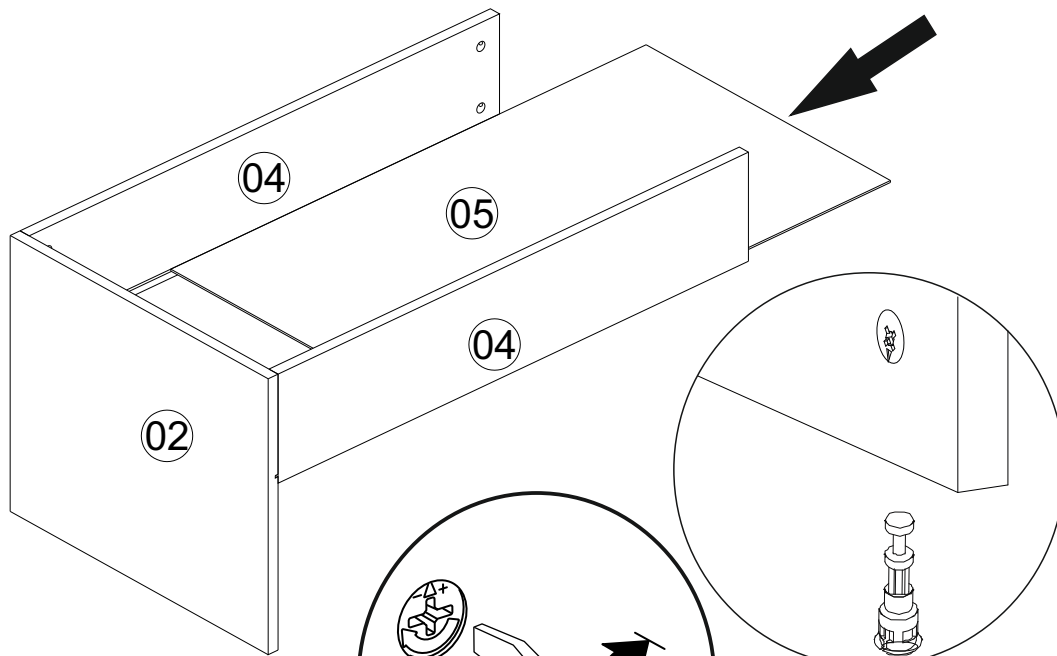
GENERAL VIEW



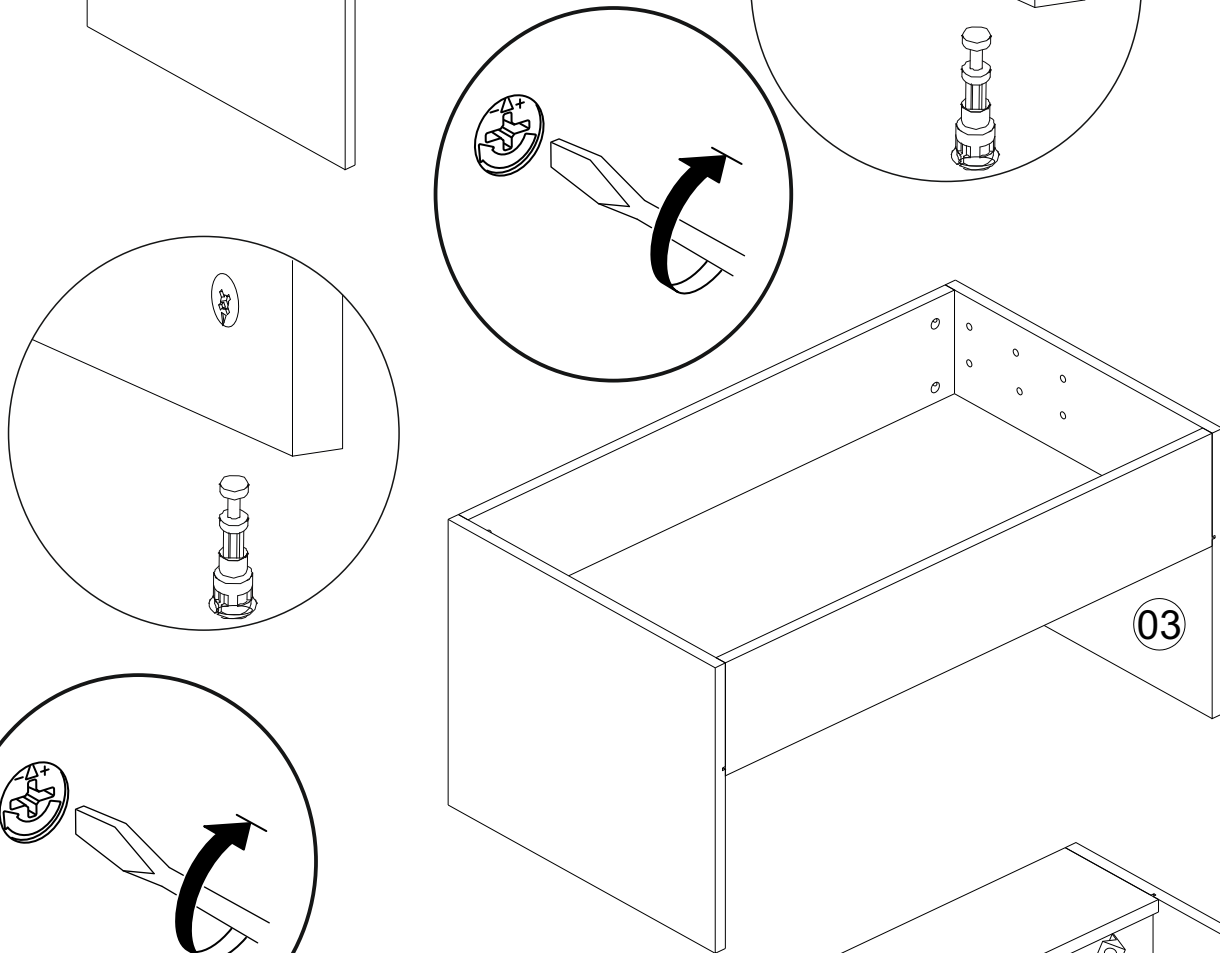
1



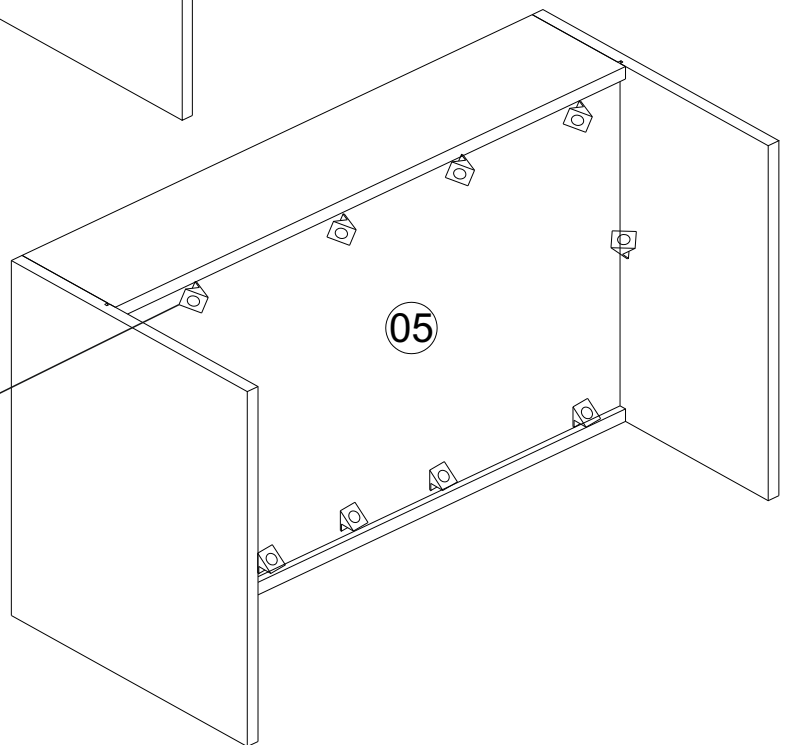
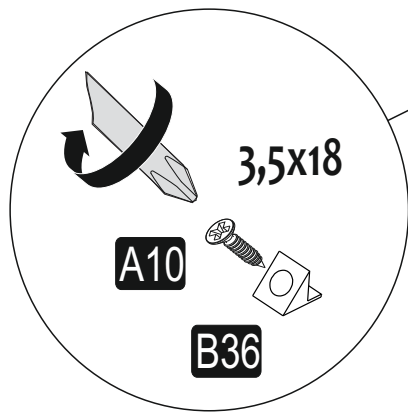
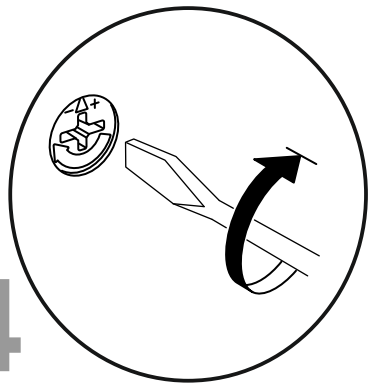
2



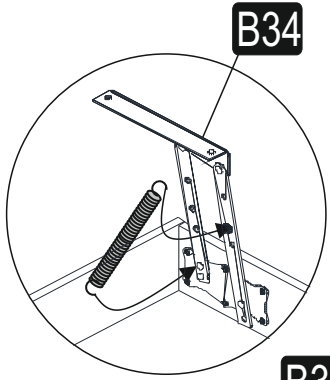
3



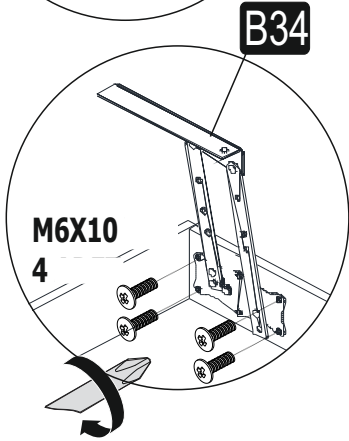
4



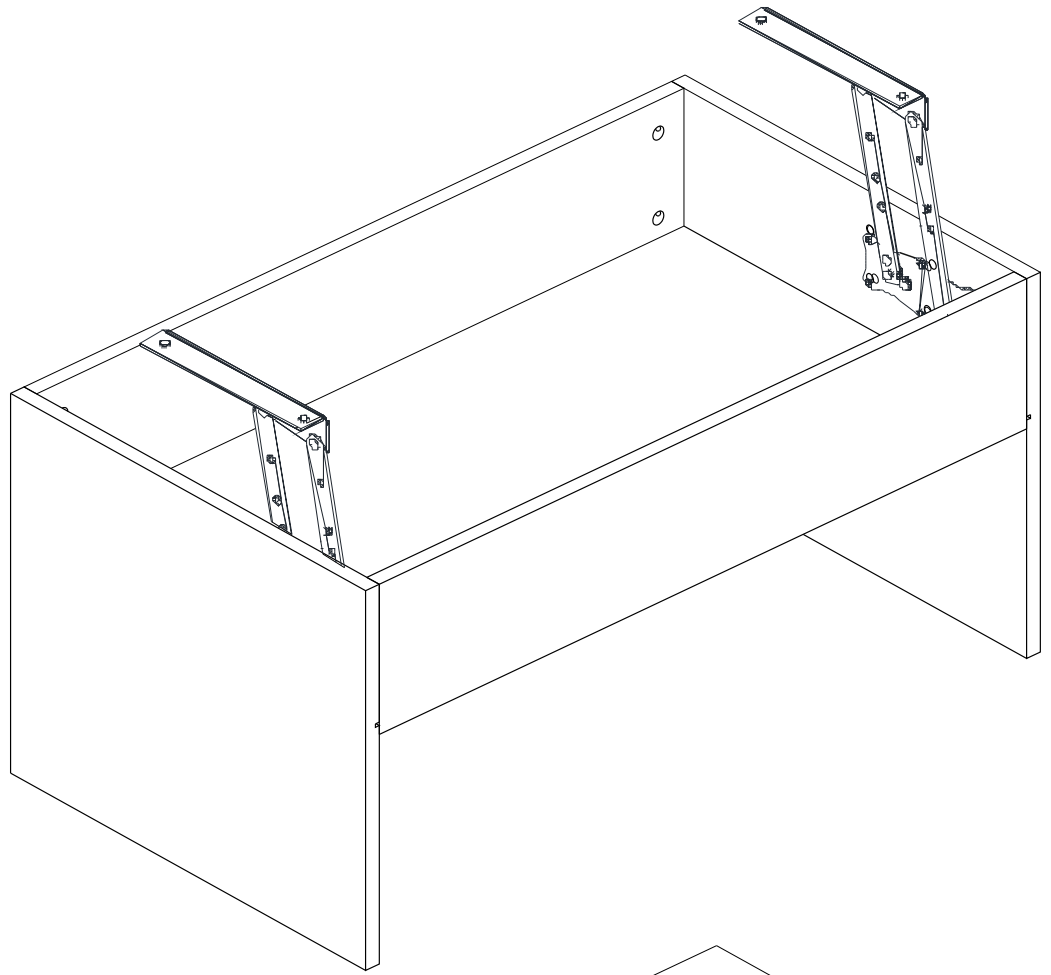
5



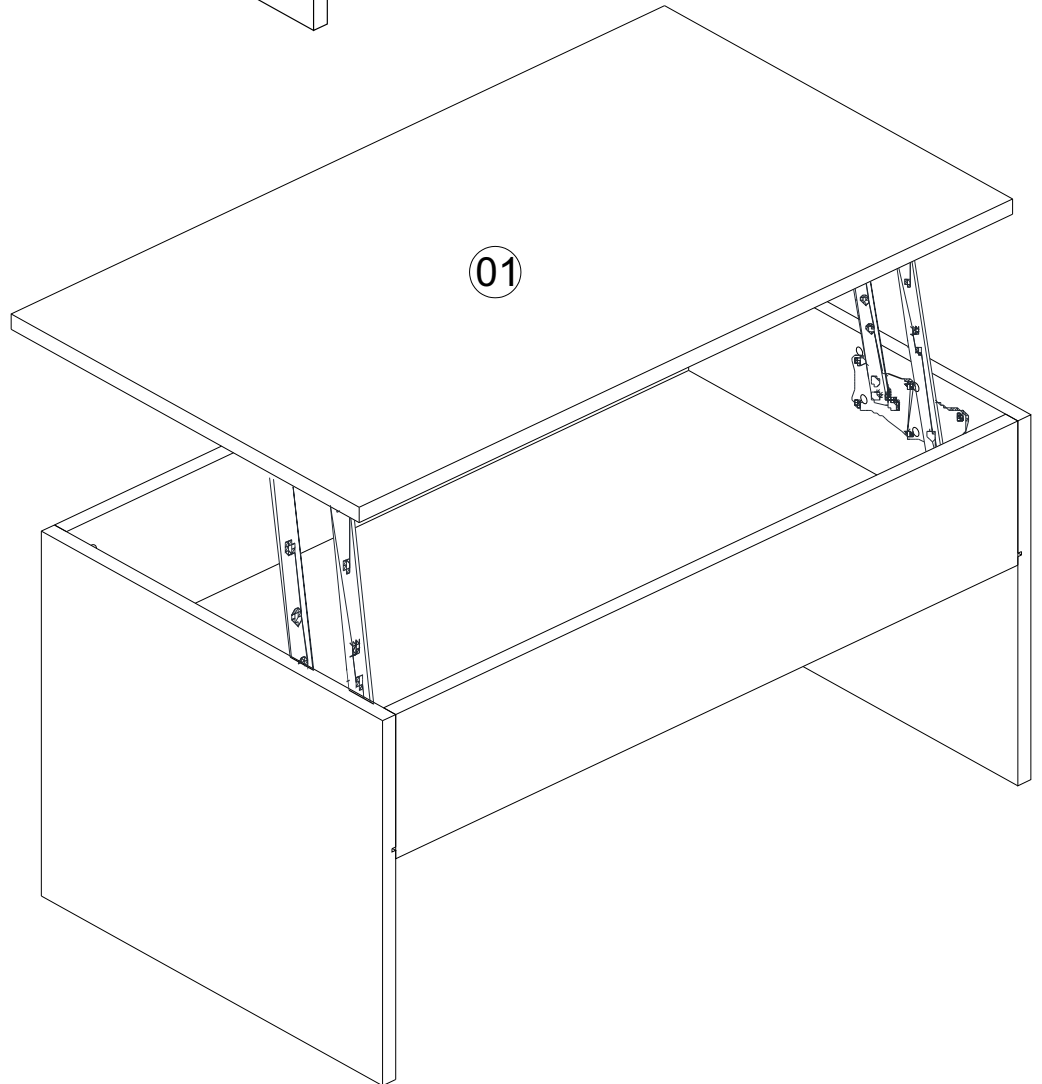
B34



M6X10
4



6



01

7

