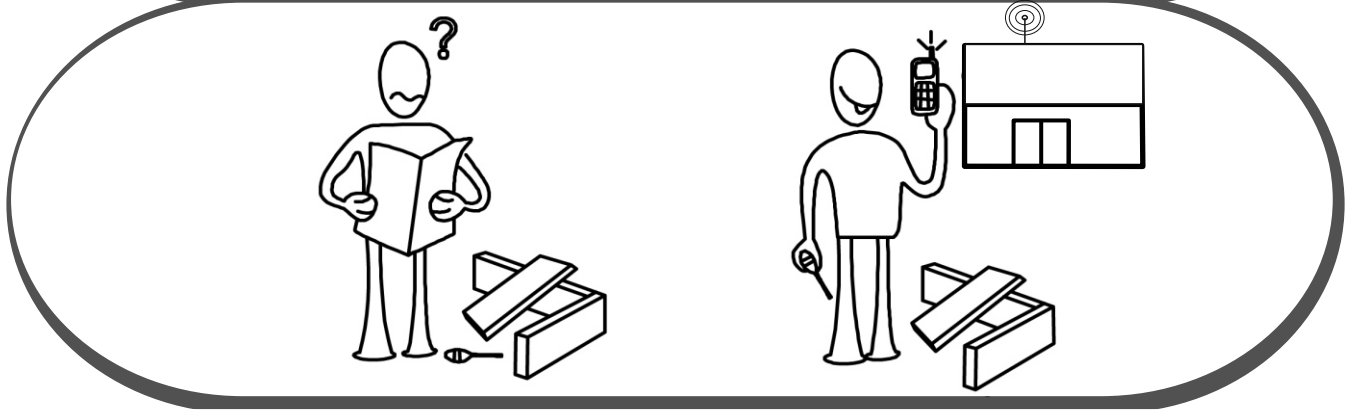
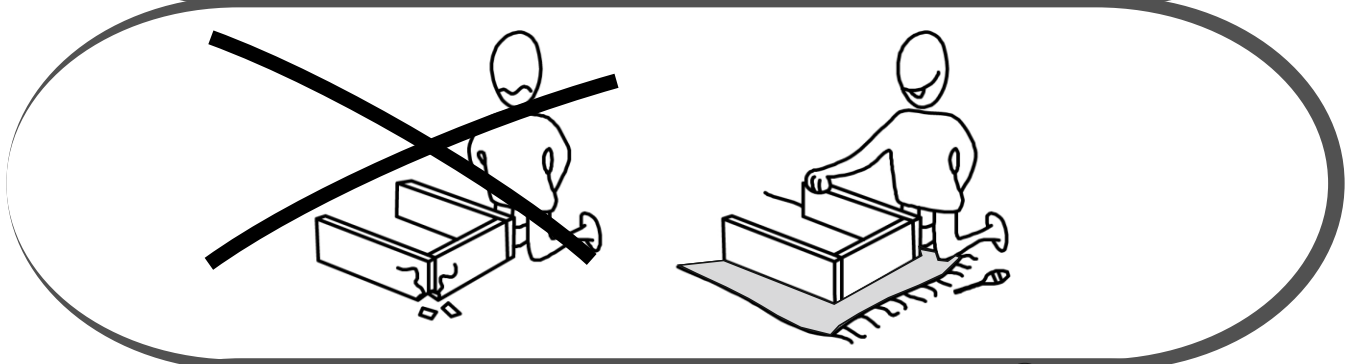
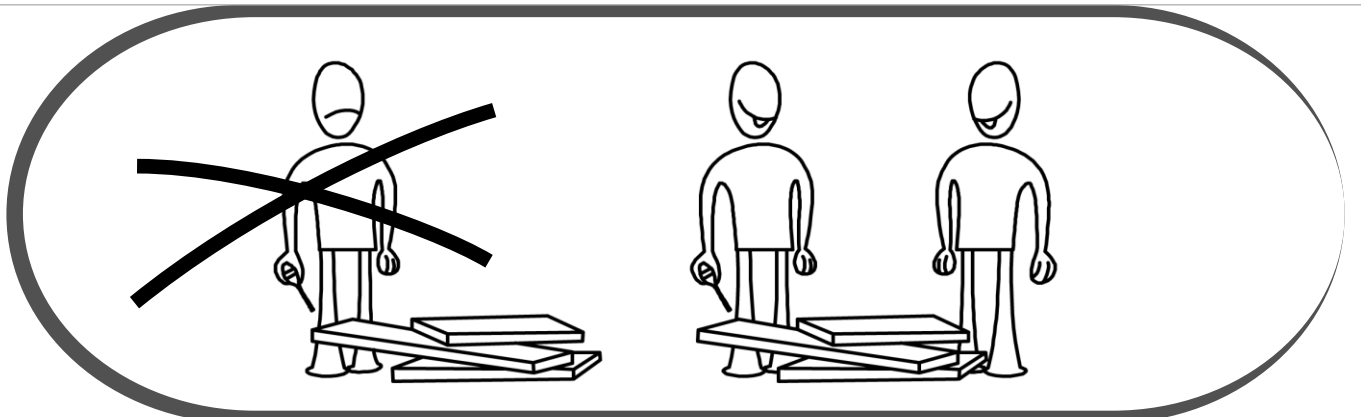
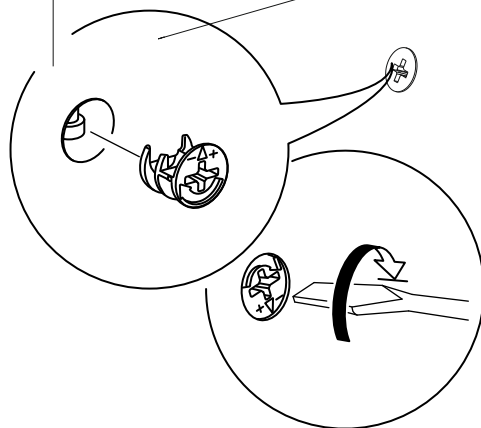
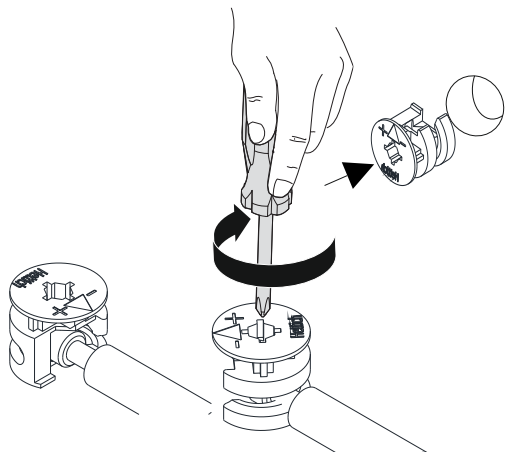
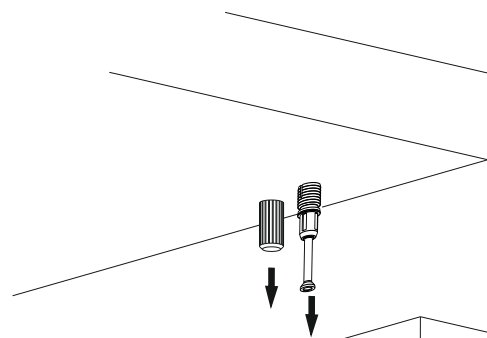
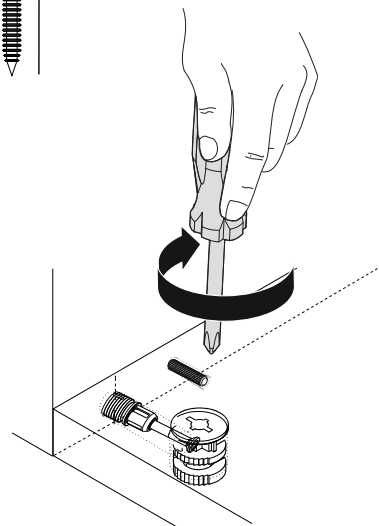
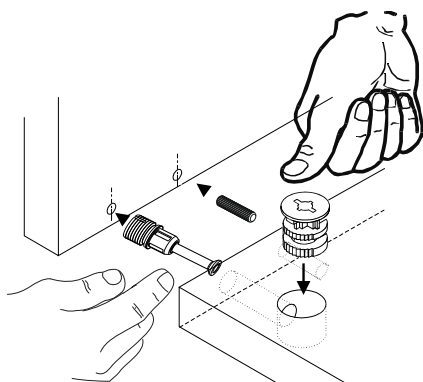
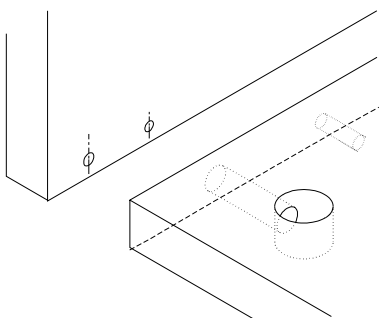
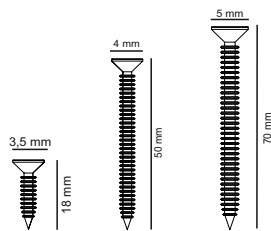
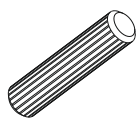
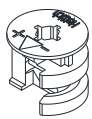
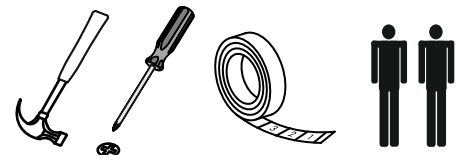


GP042-0187,1







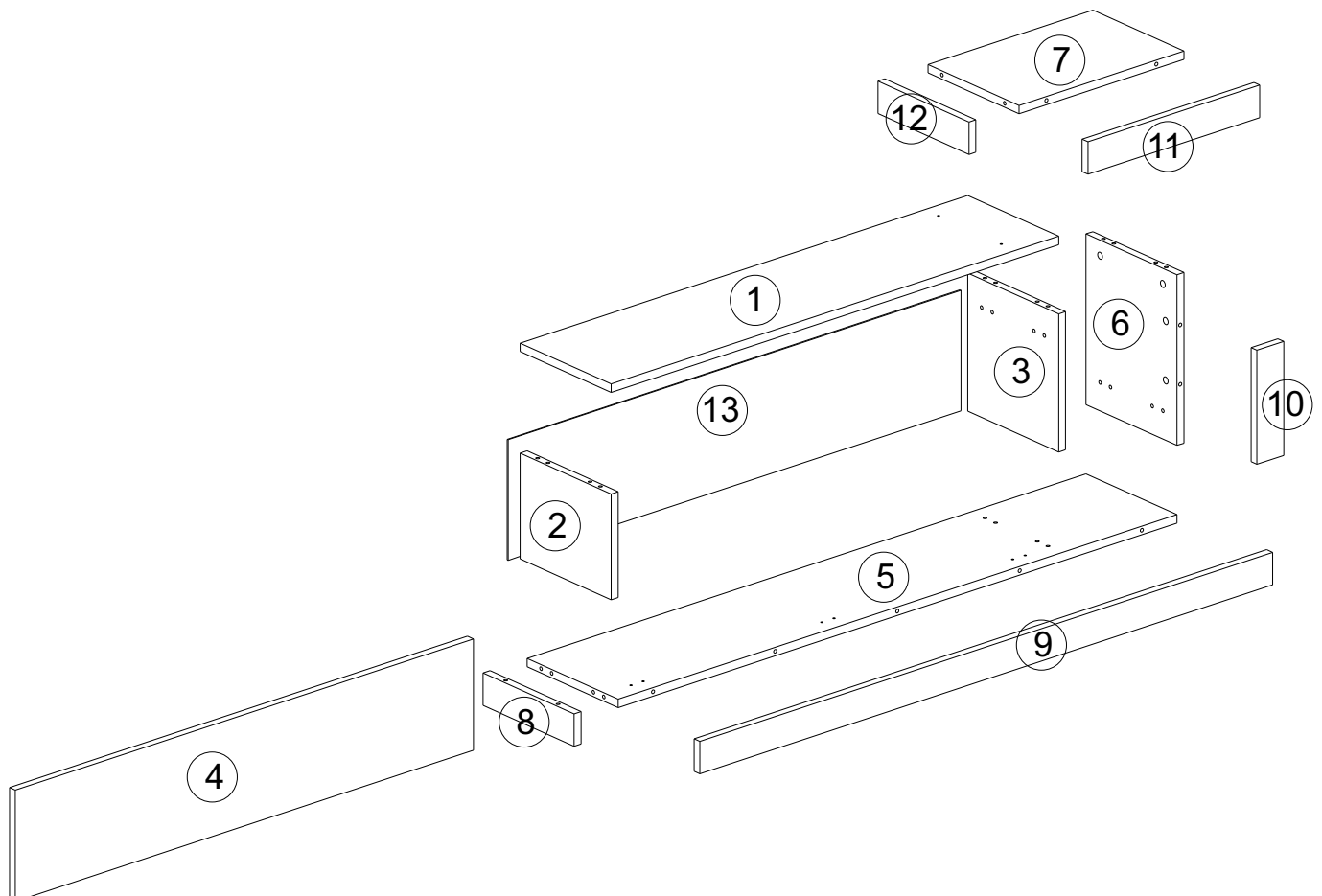


The necessary tools (not included)

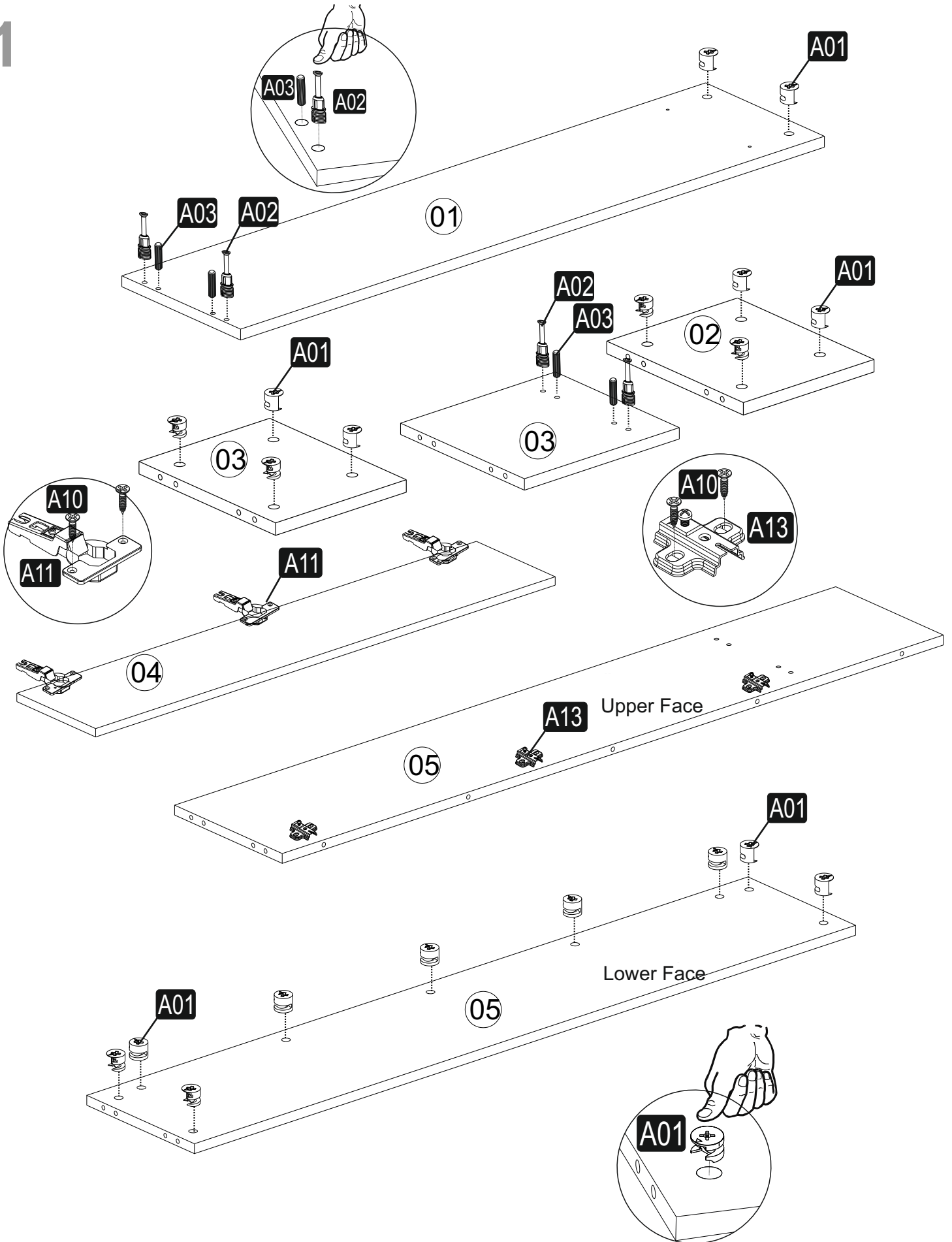
ACCESSORY LIST

A01 31x	A02 27x	A03 18x	A13 MA 3x	A11 SPM 3x
A10 3,5x18 24x	A09 4x50 2x	A44 2x	A04 A 10x D 21x	A16 A 2x
D69 Ø8 6x	D41 5x70 6x	A41 6x	A28 28x	

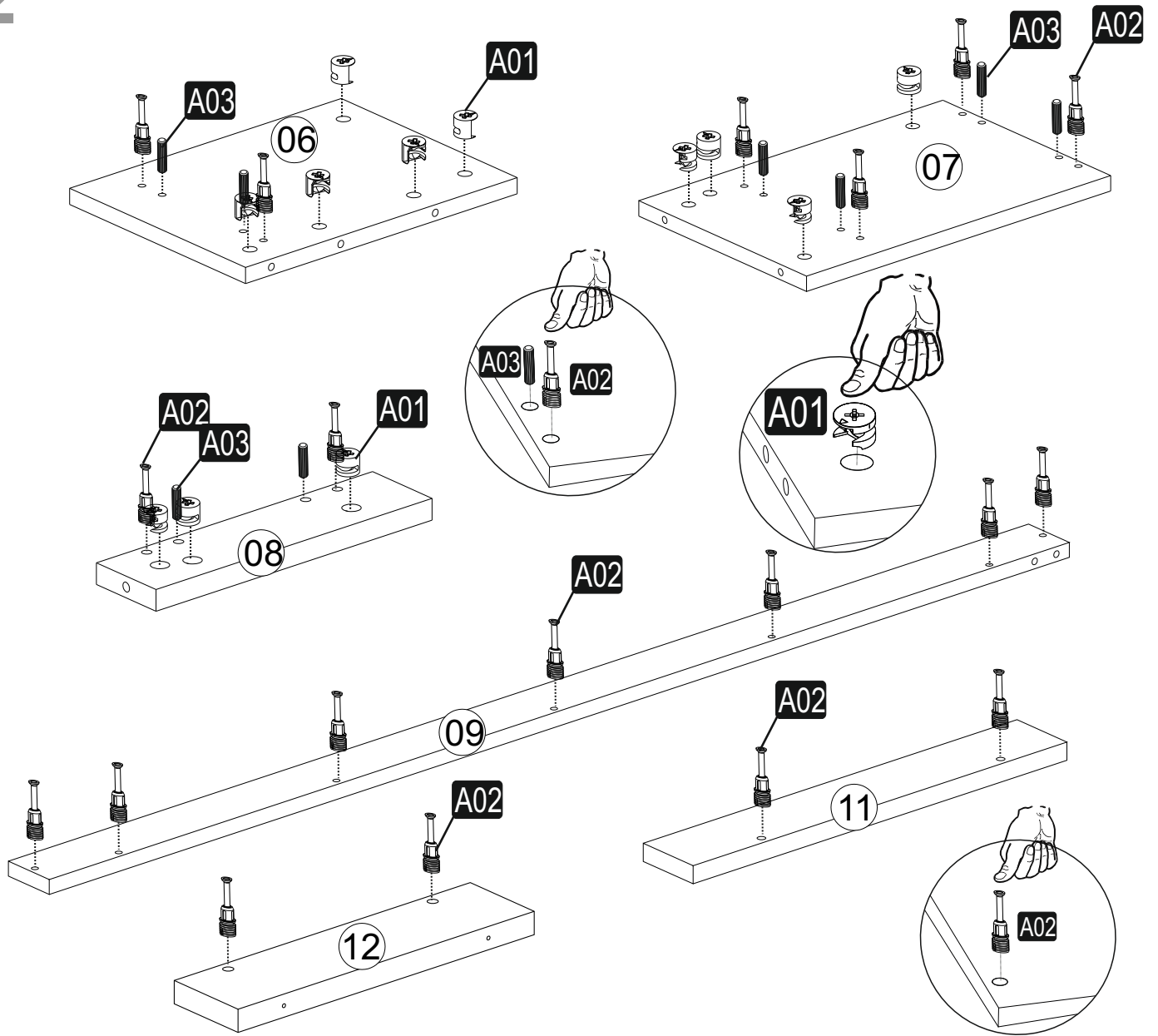
GENERAL VIEW



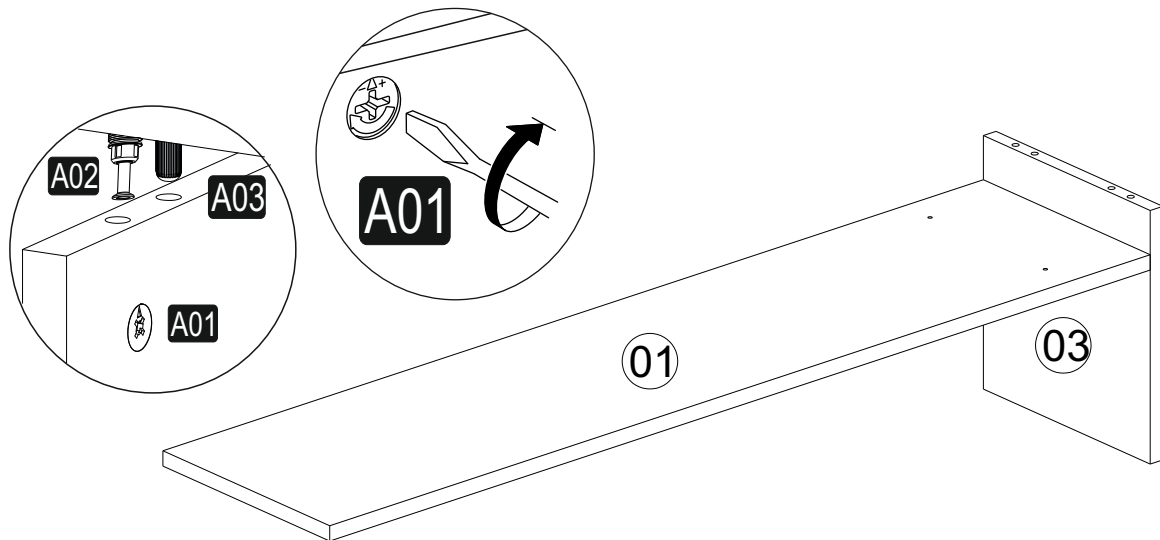
1



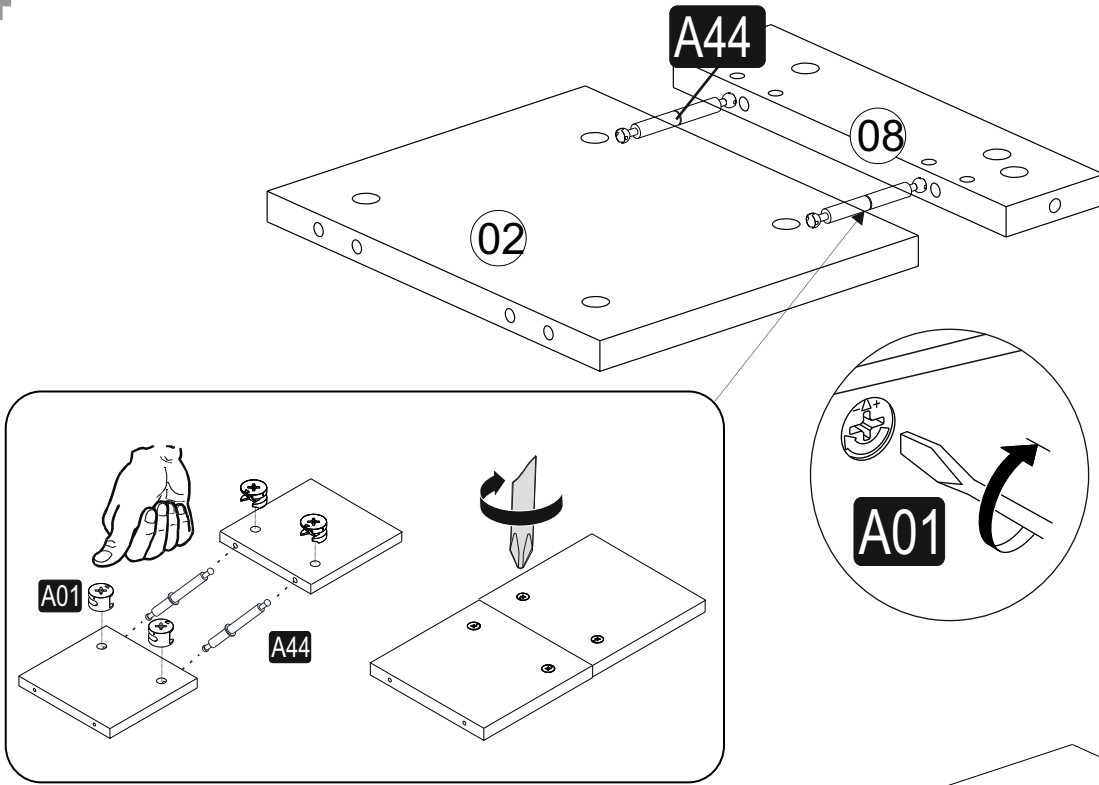
2



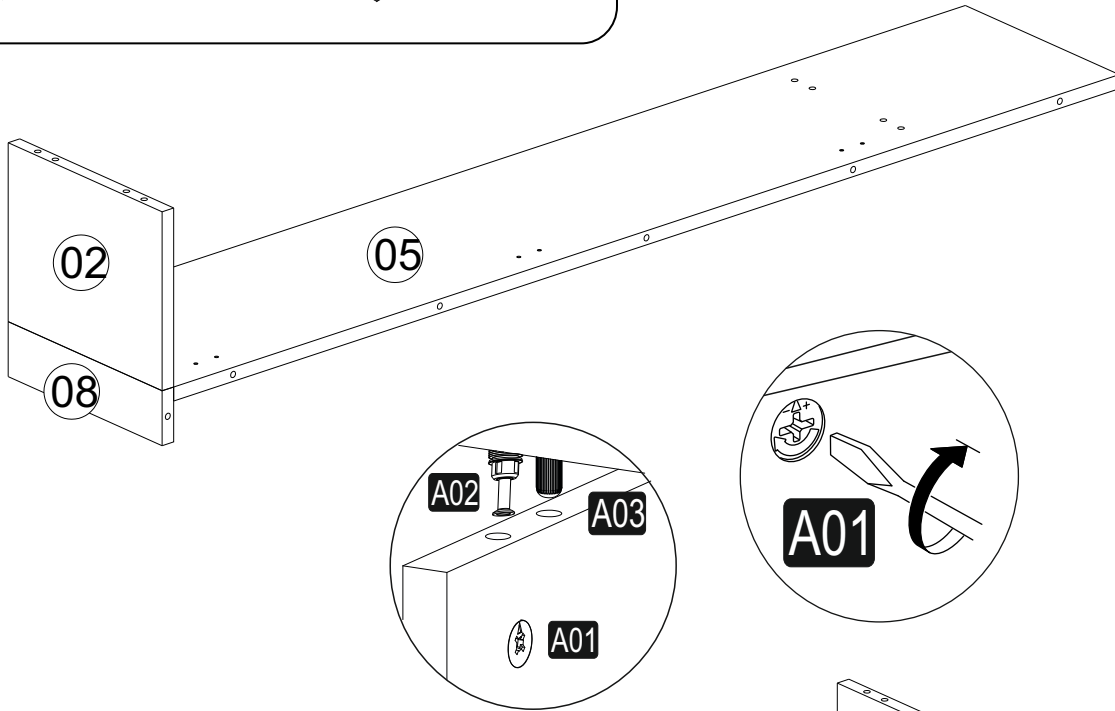
3



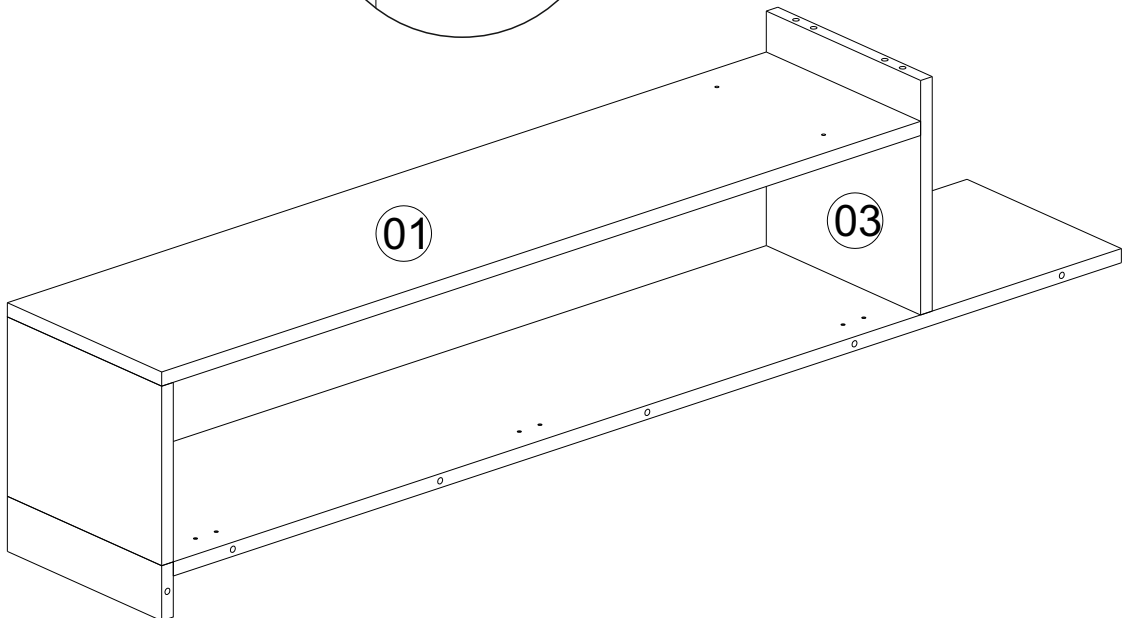
4



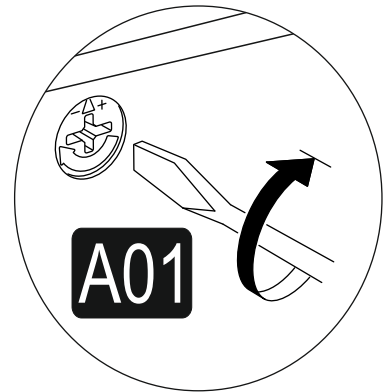
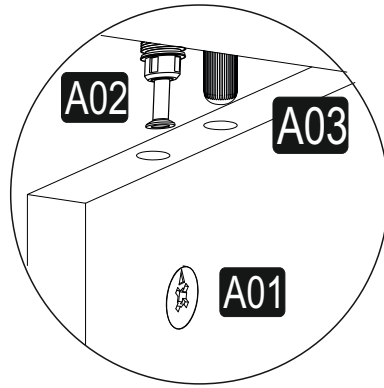
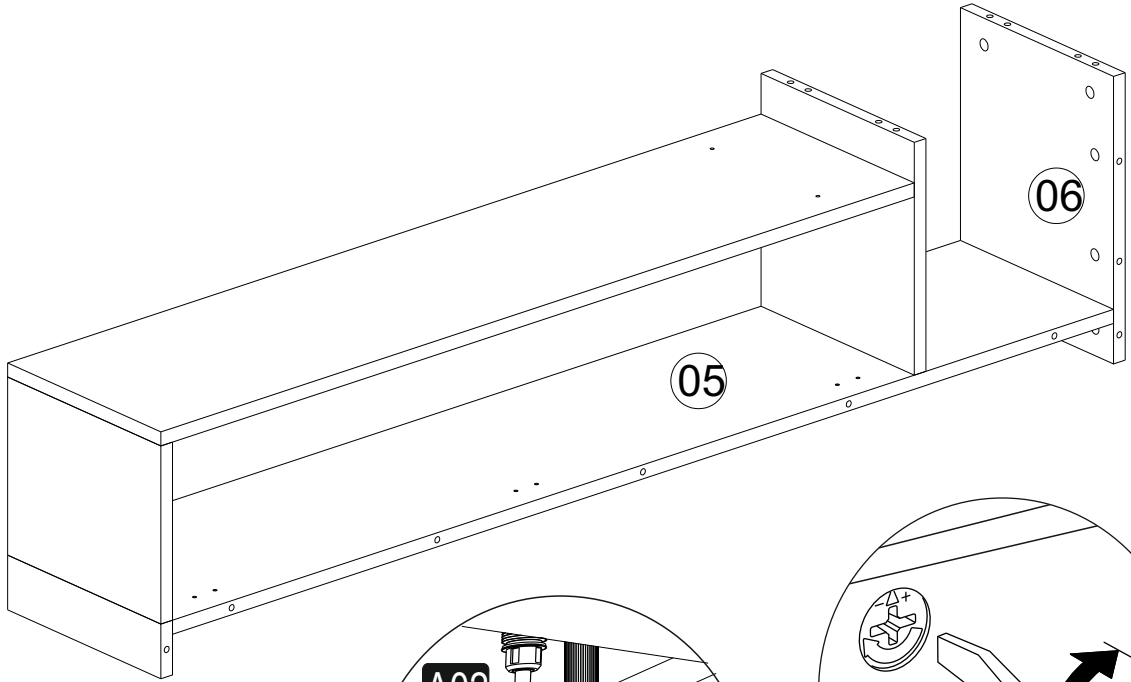
5



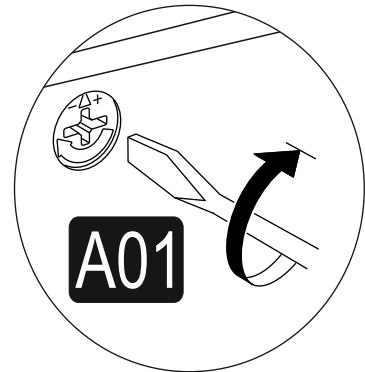
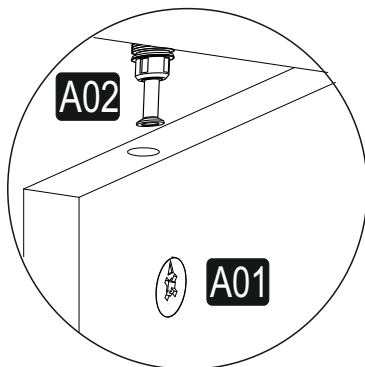
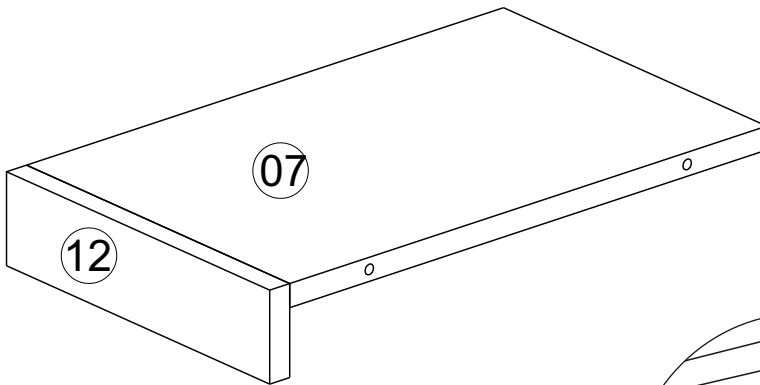
6



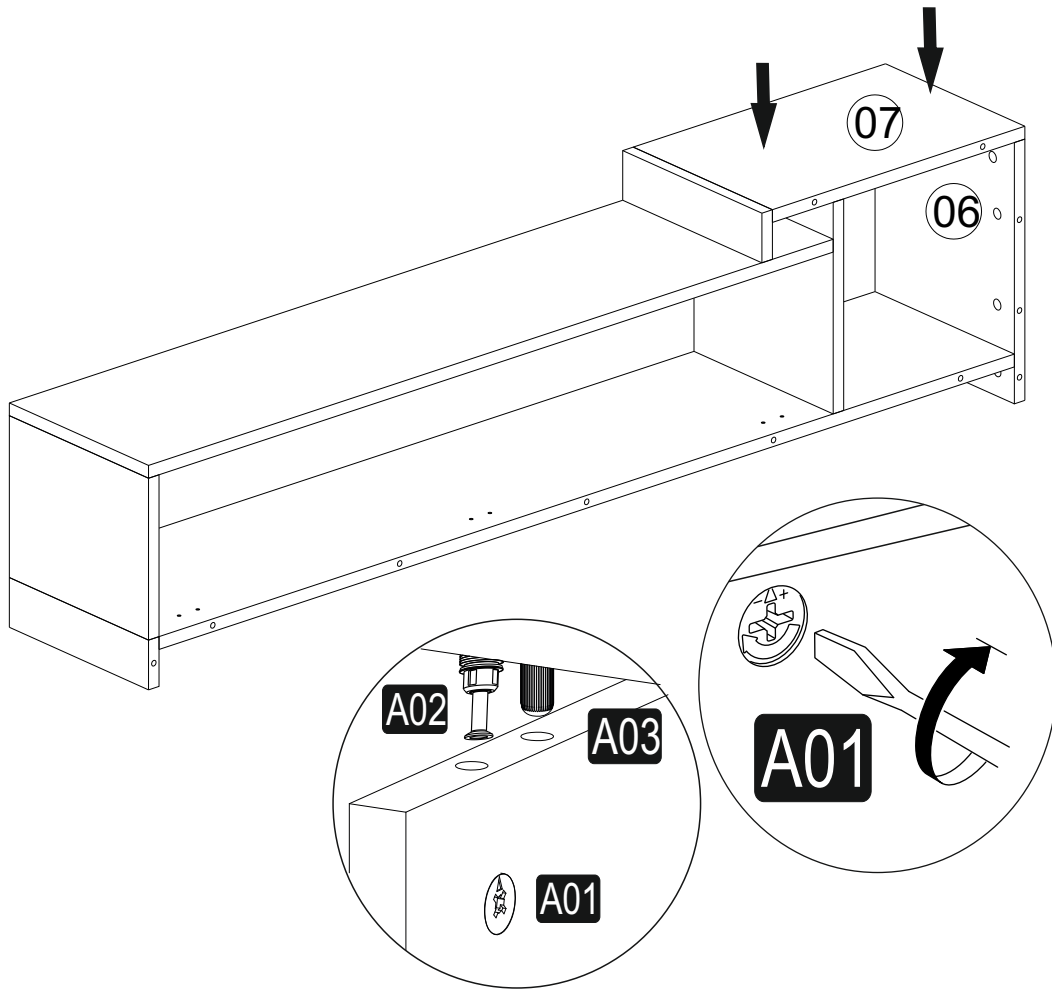
7



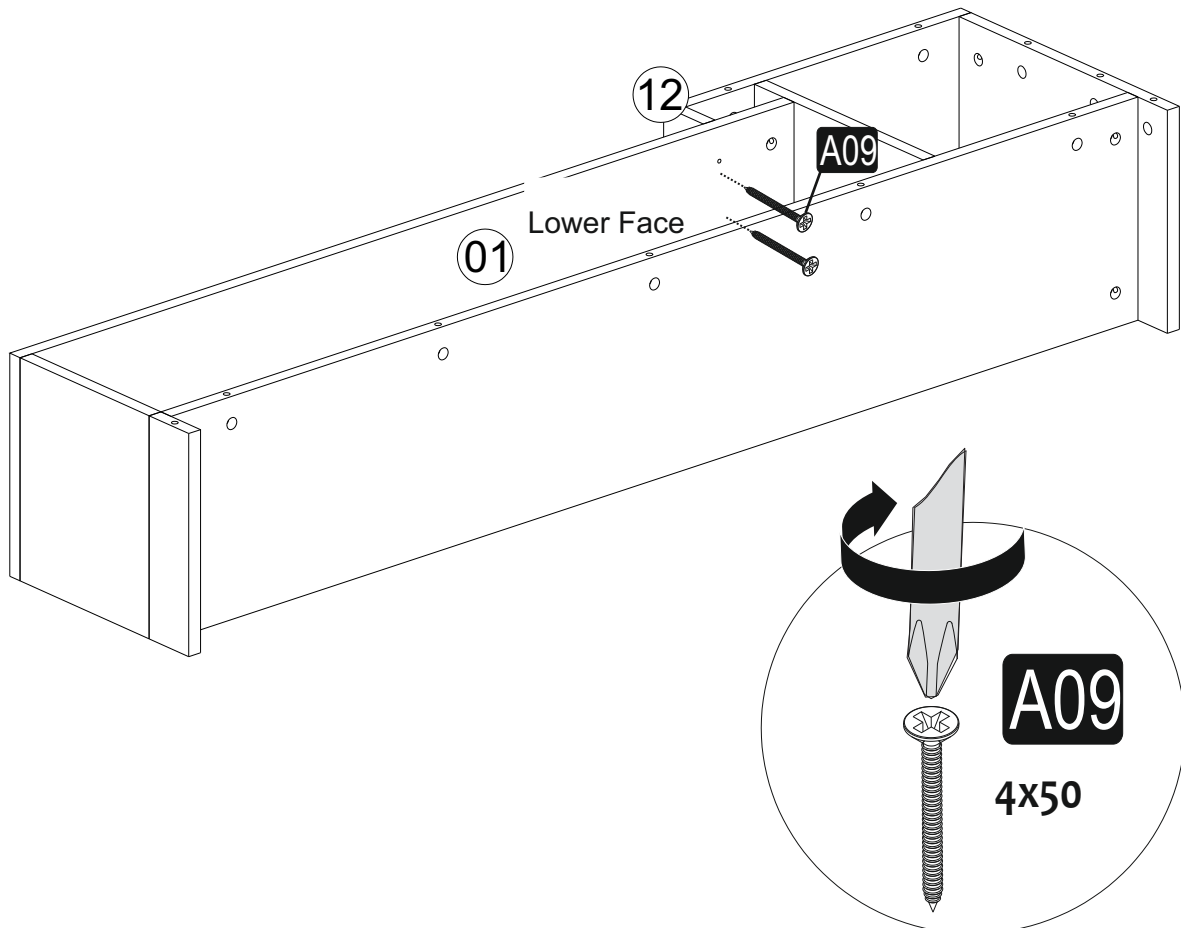
8



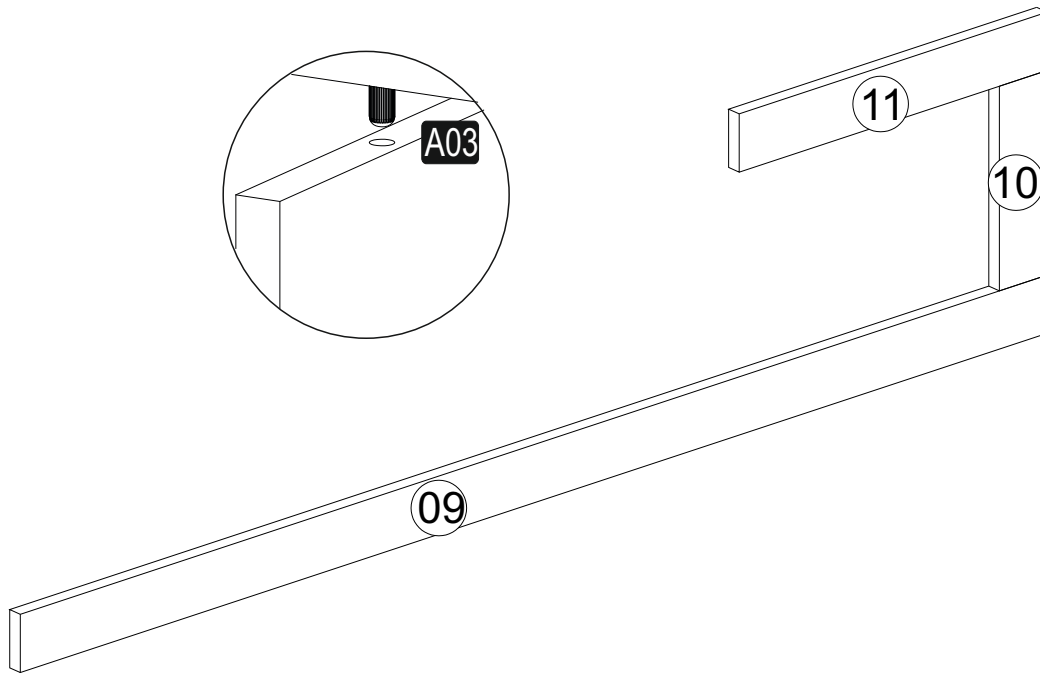
9



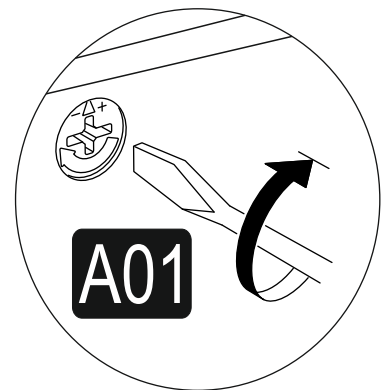
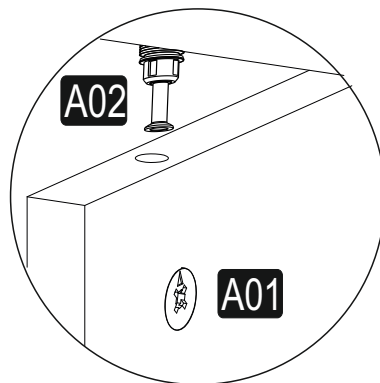
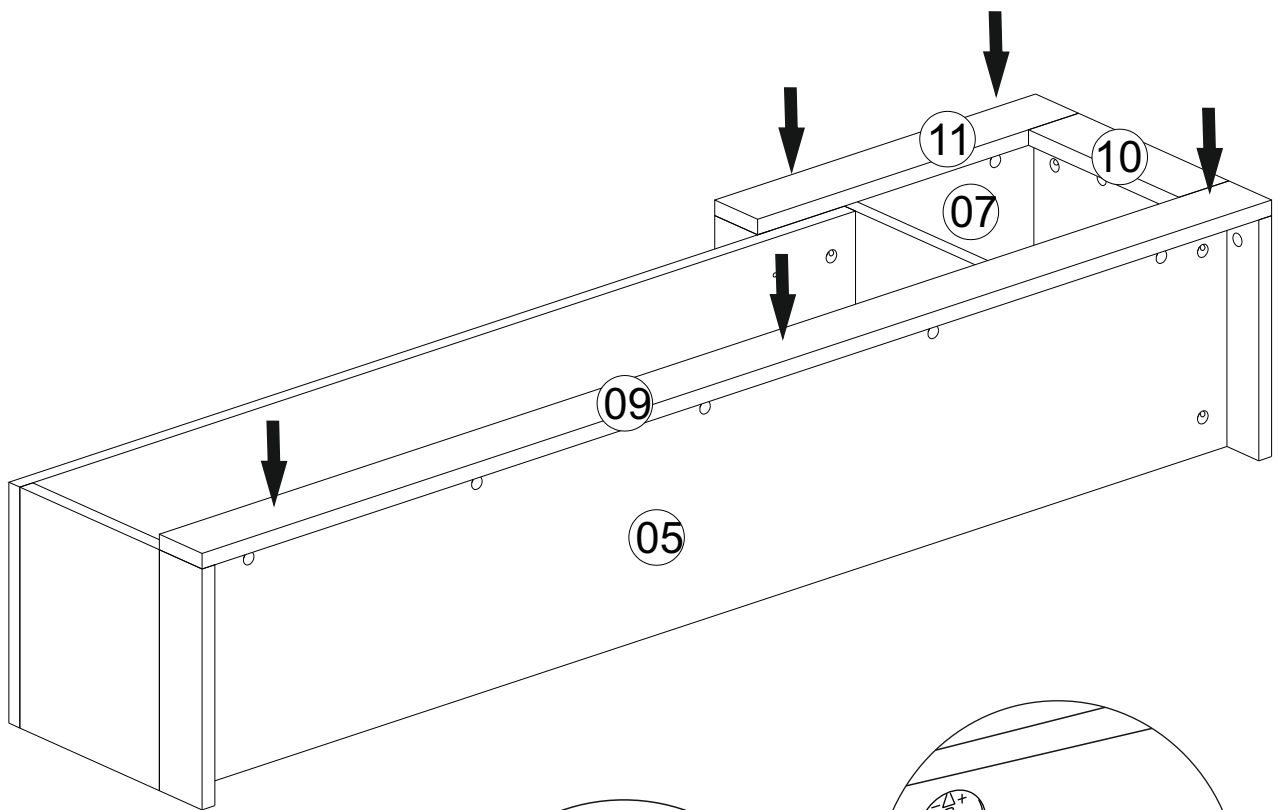
10



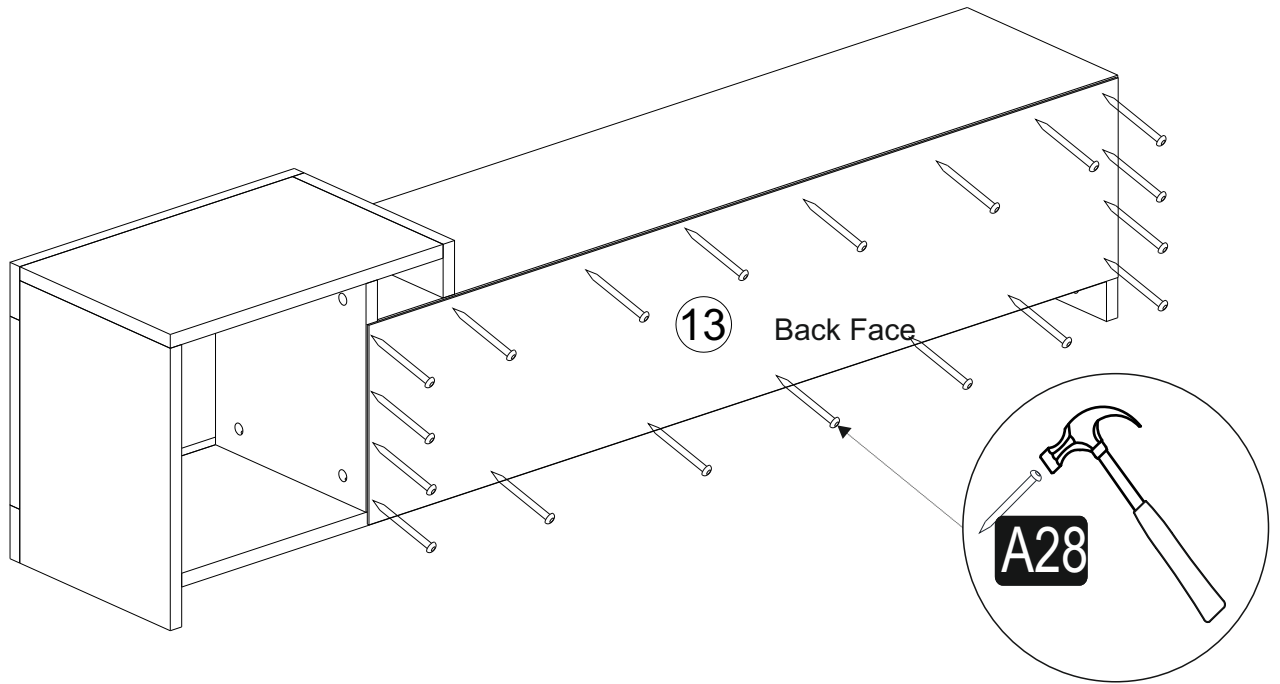
11



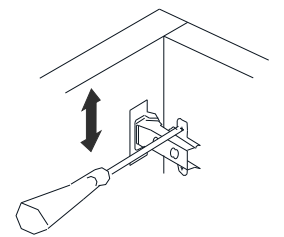
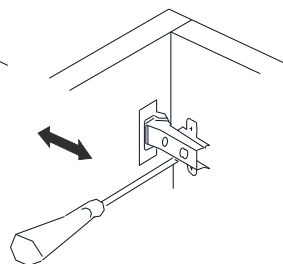
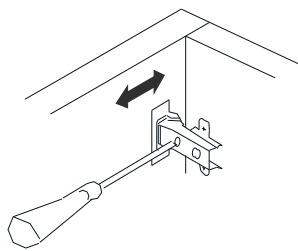
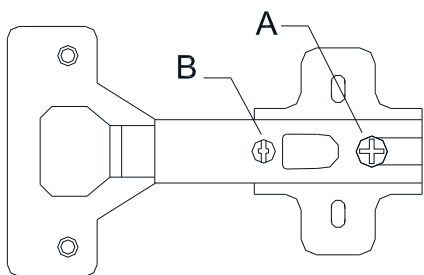
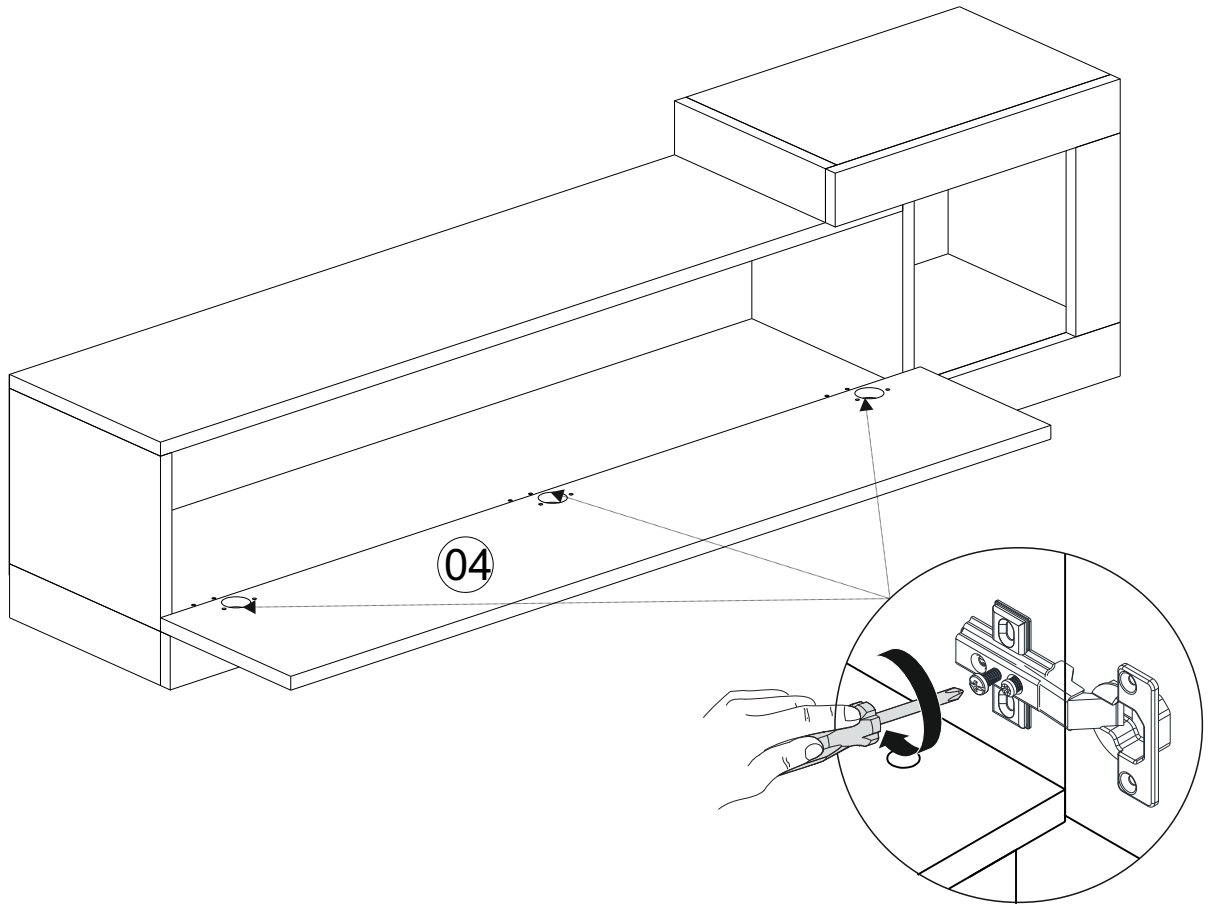
12



13



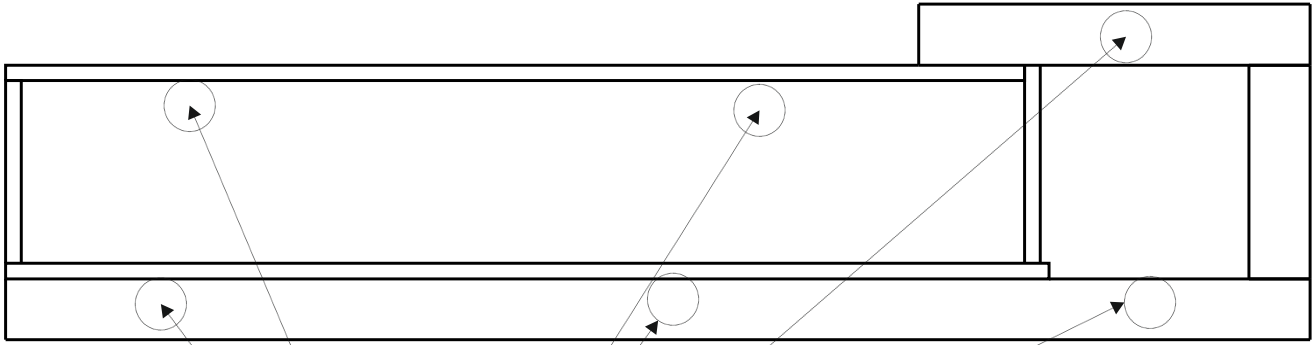
14



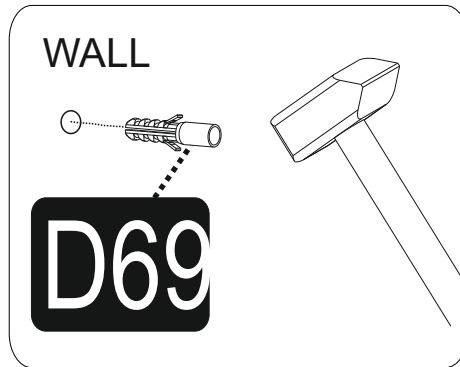
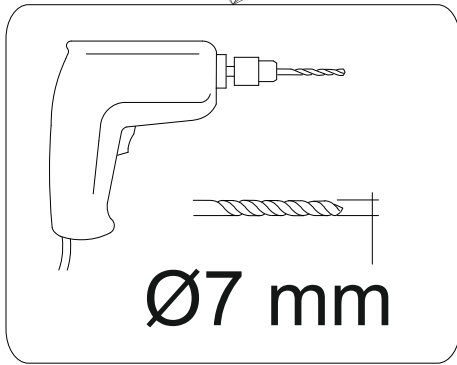
A= to connect the hinge to the door
B= to arrange the door

arrows to show the directions for arrangement of doors.

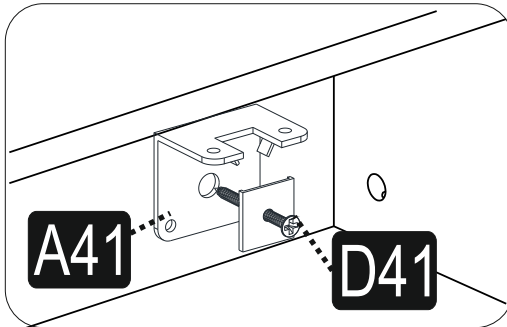
15



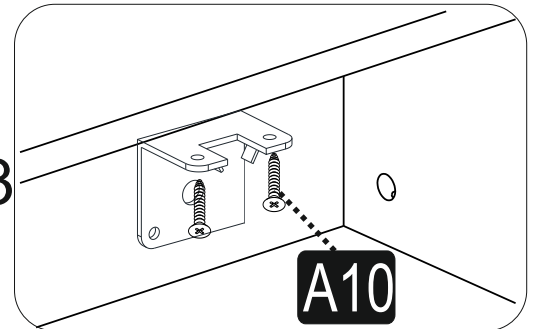
PART-1



PART-2



PART-3



PART-4

