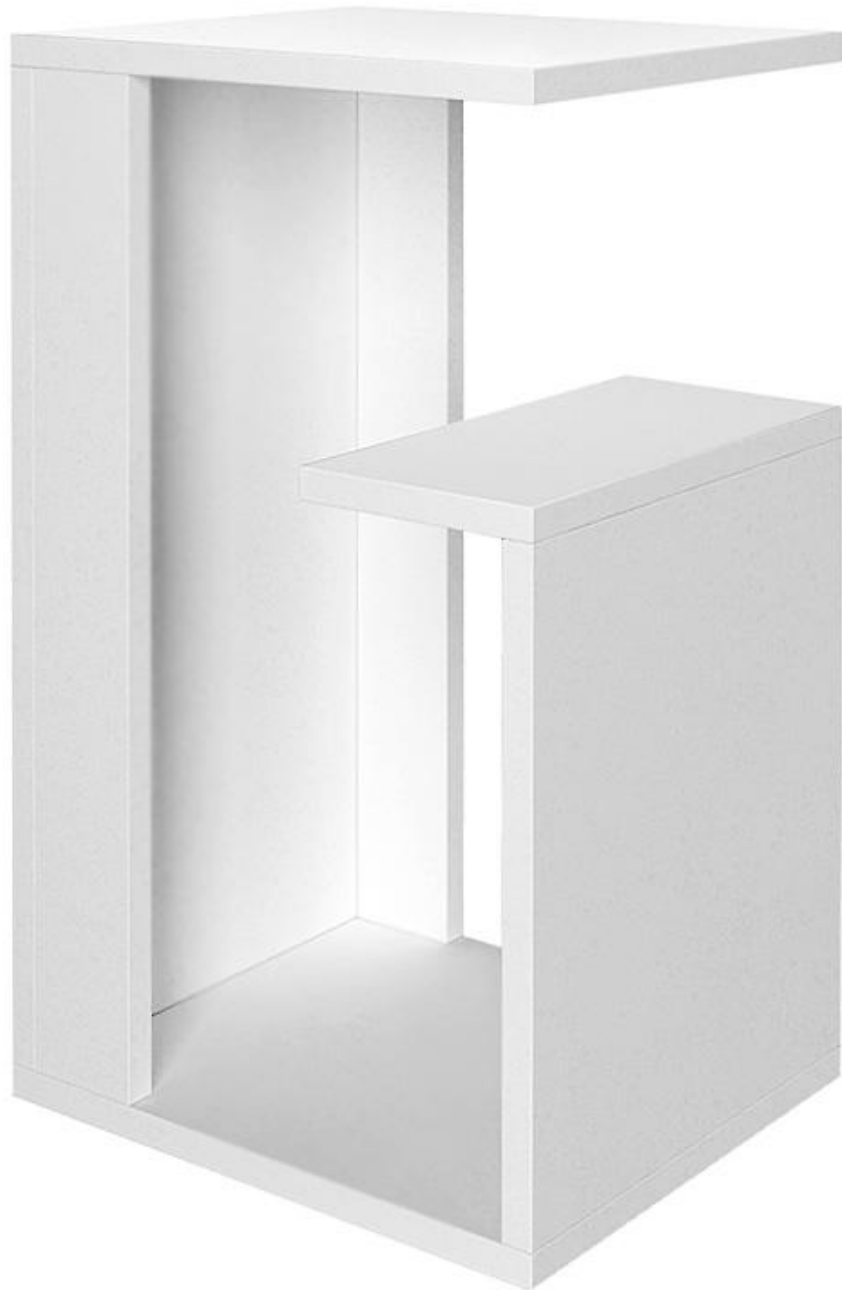
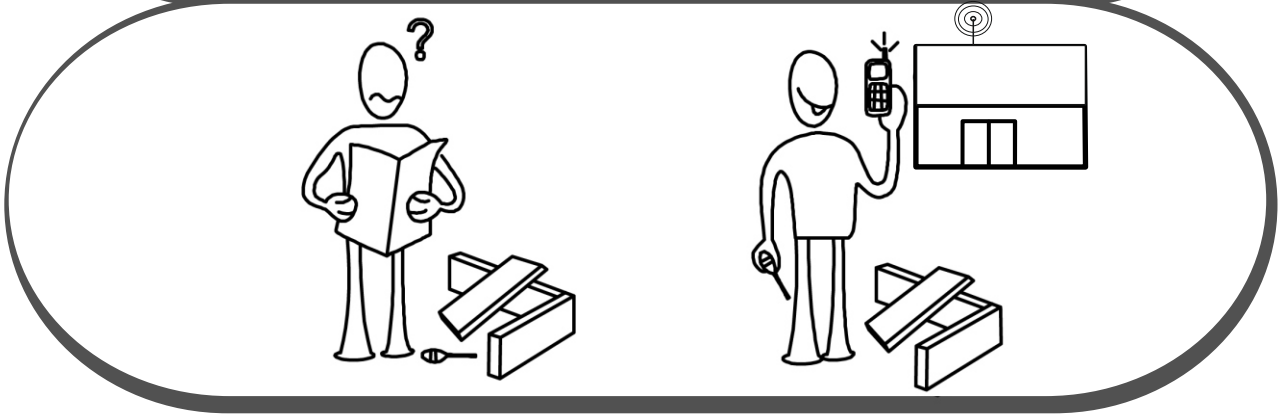
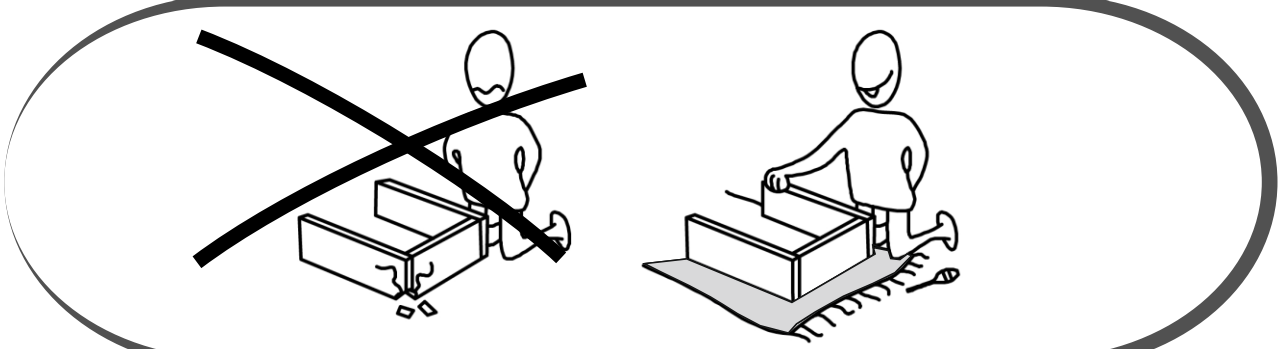
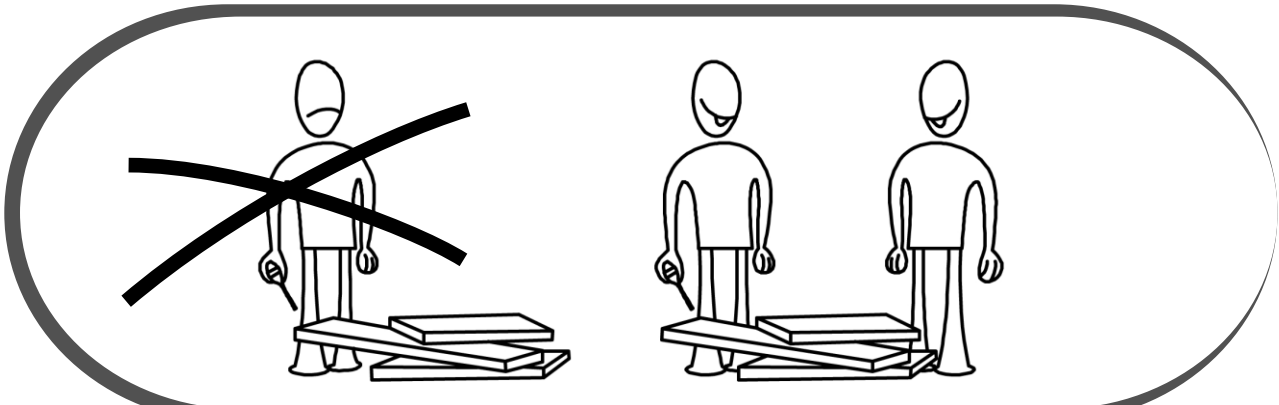
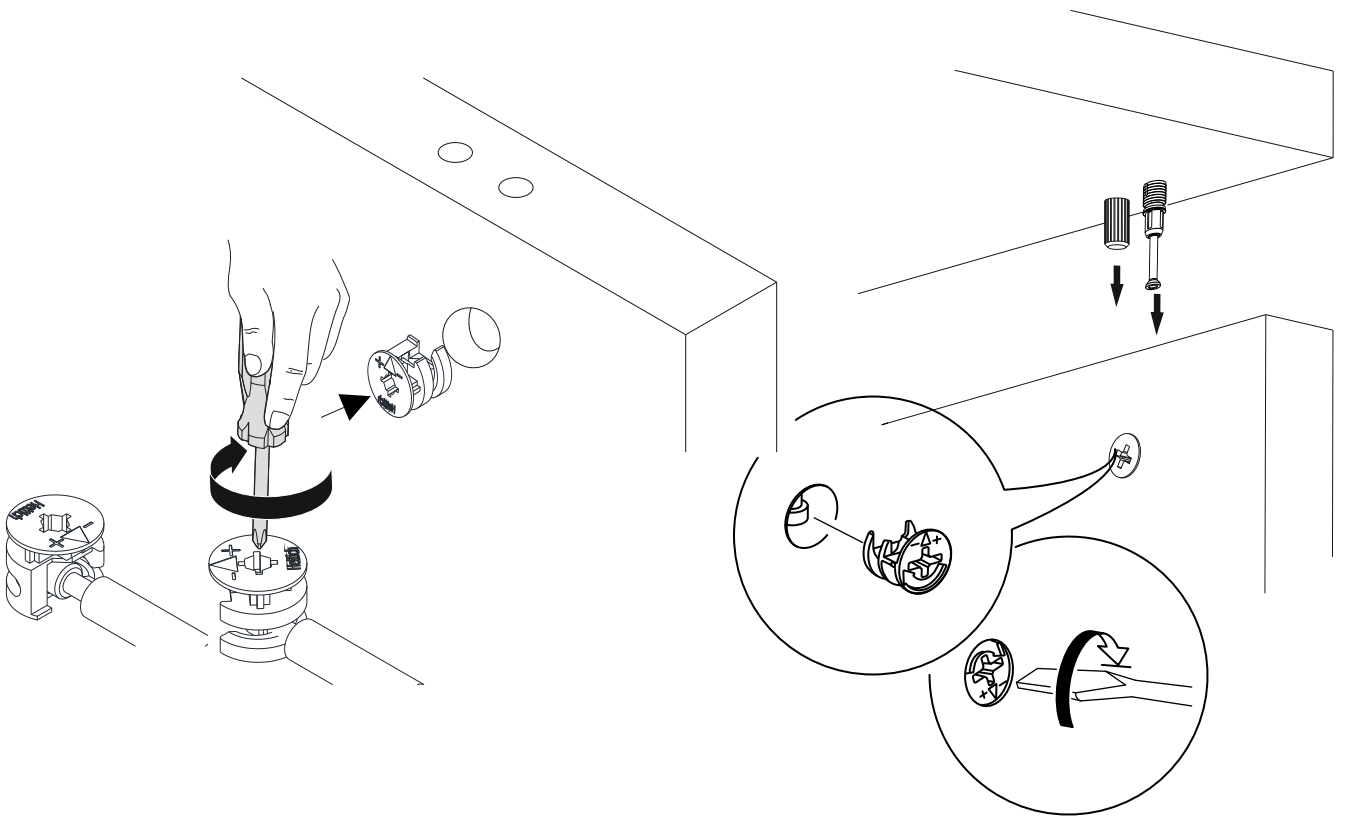
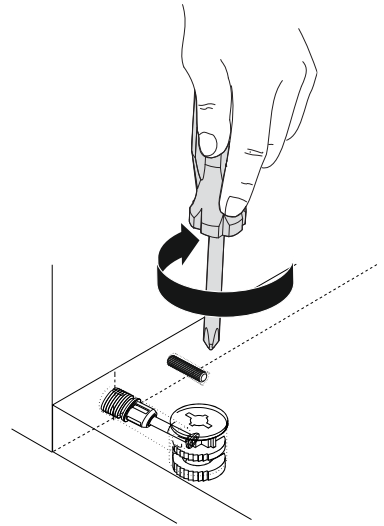
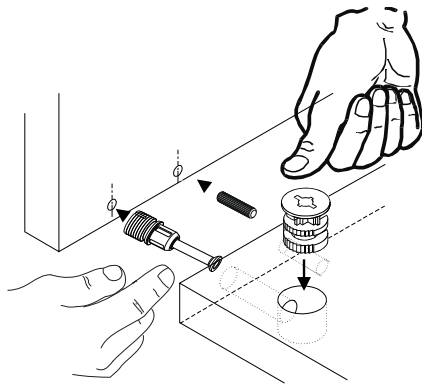
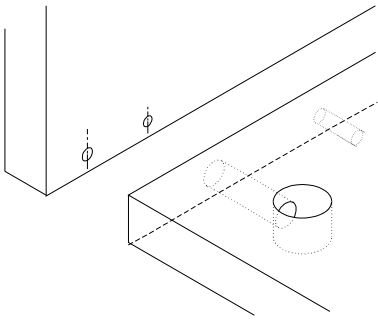
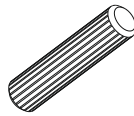
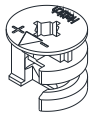
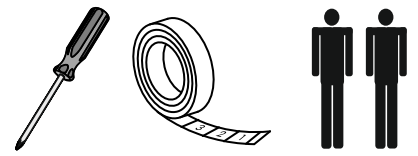


GP042-0092,1







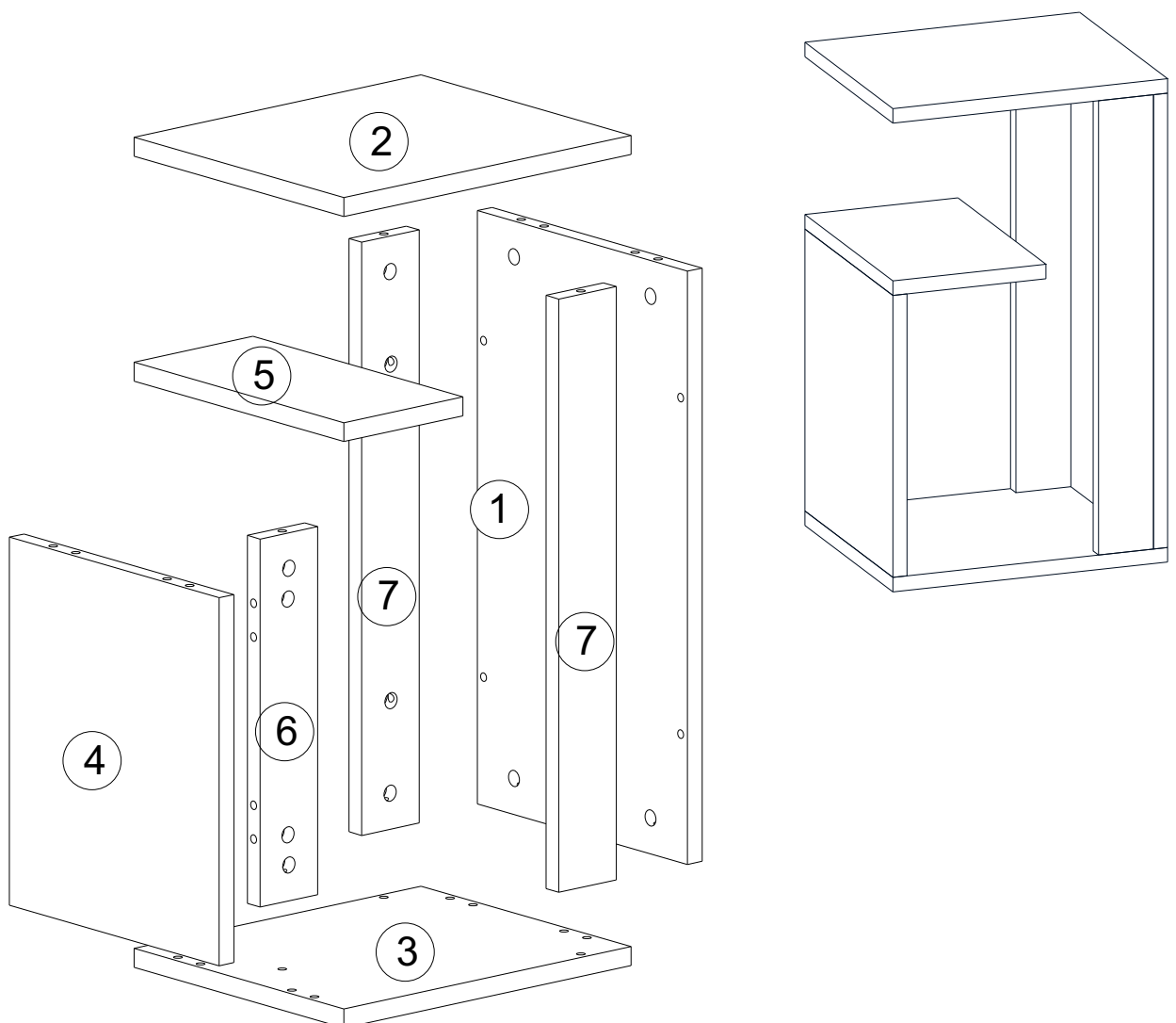


The necessary tools (not included)

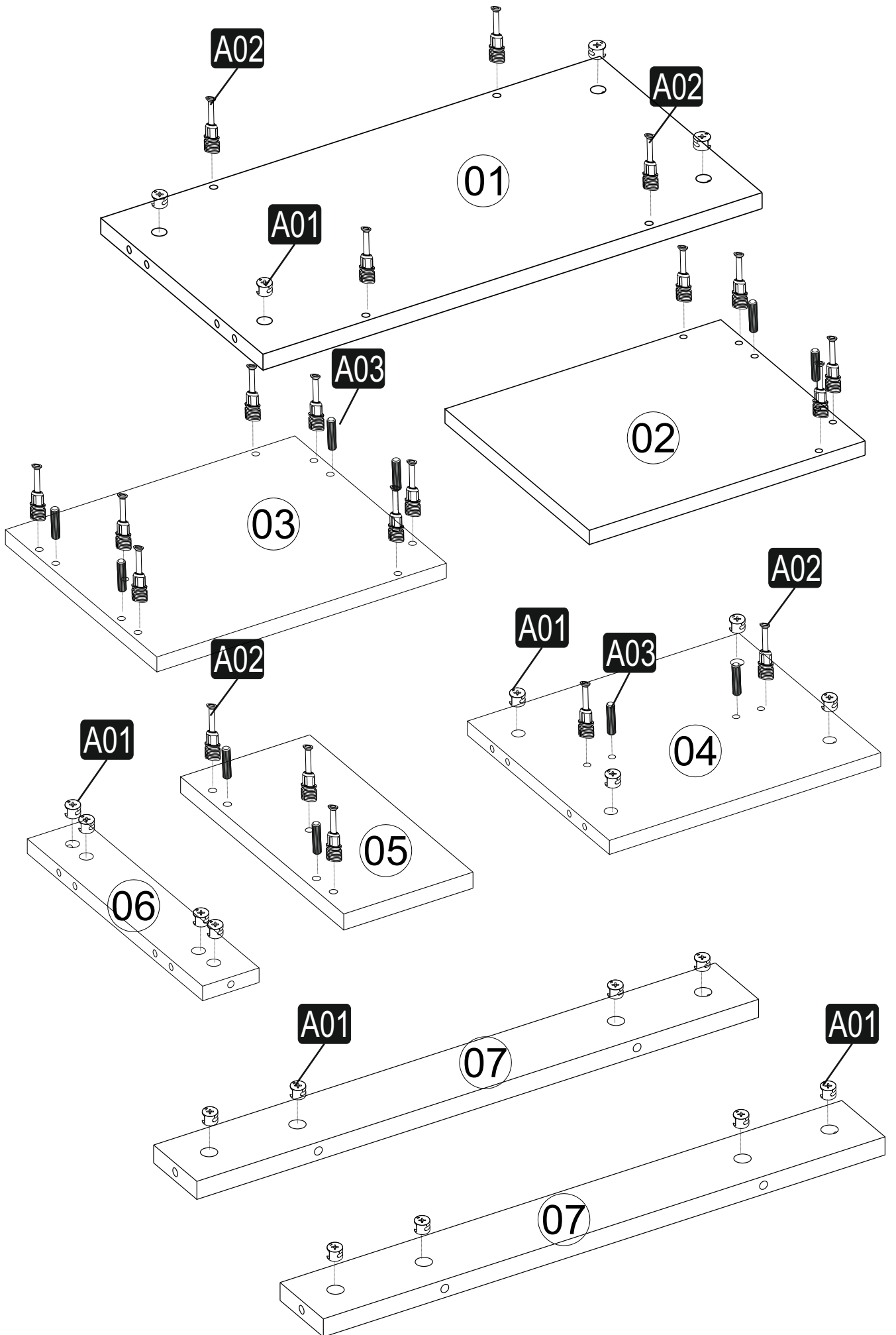
ACCESSORY LIST

A02  20x	A01  20x	A03  10x	A04  A 12x D 8x
---	---	---	--

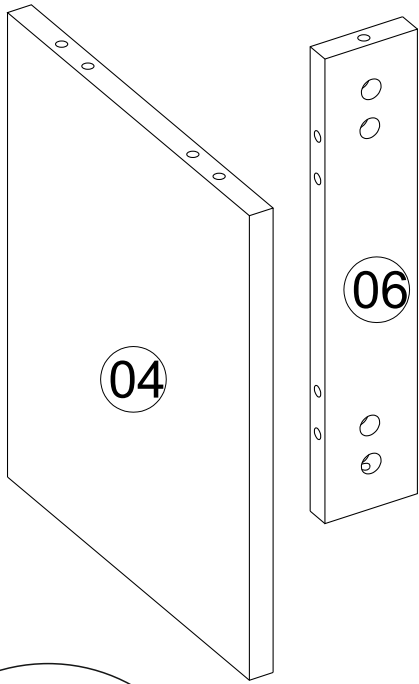
GENERAL VIEW



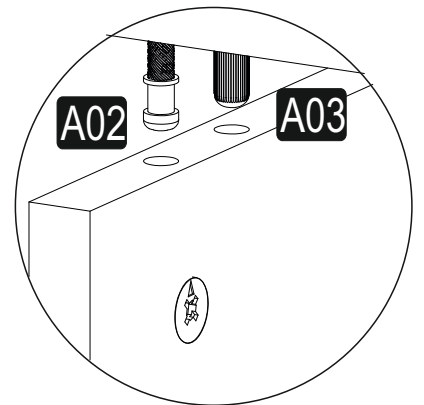
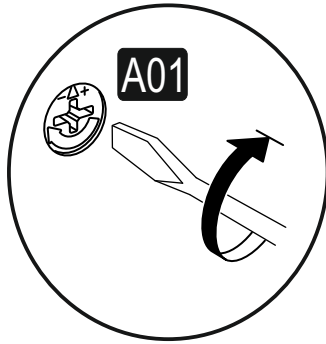
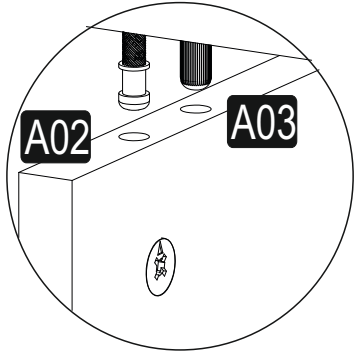
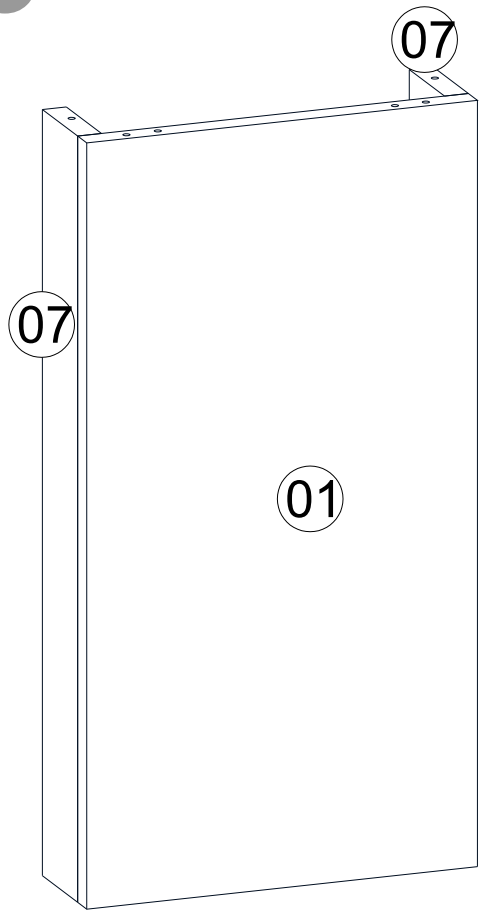
1



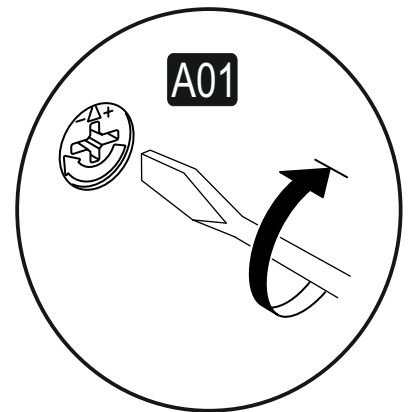
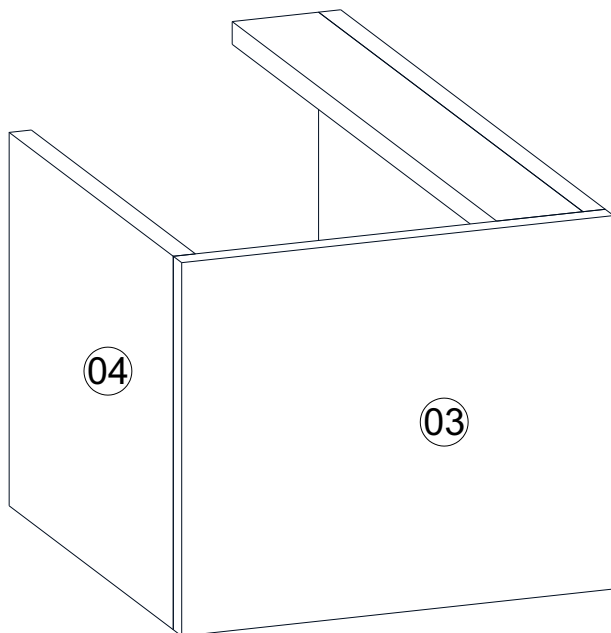
2



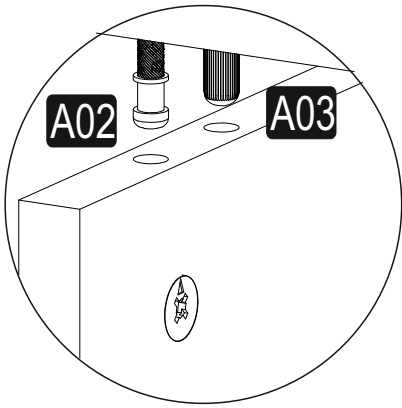
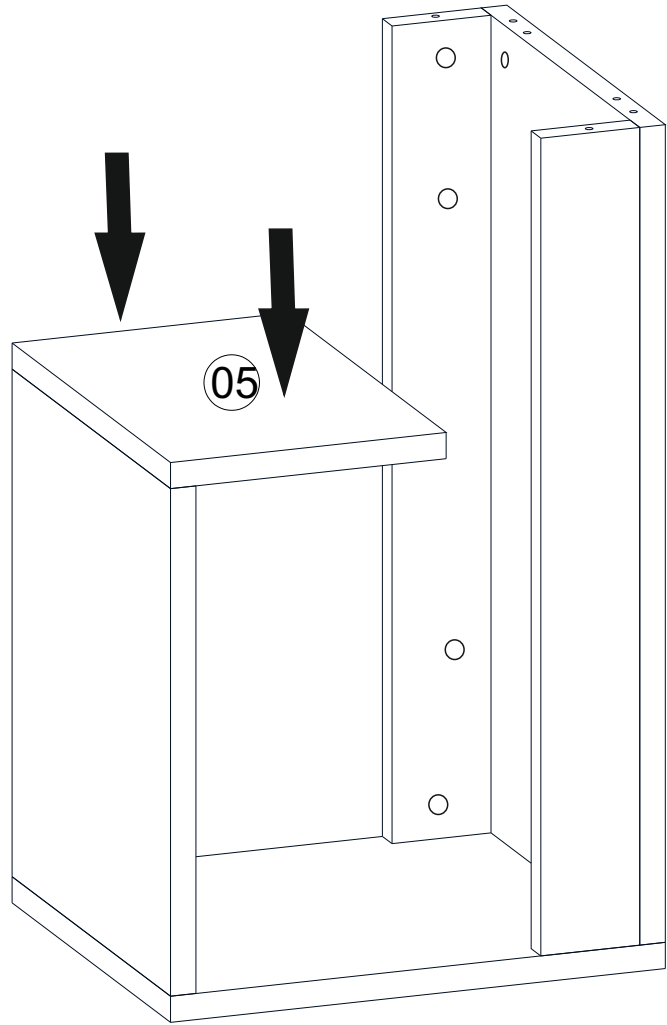
3



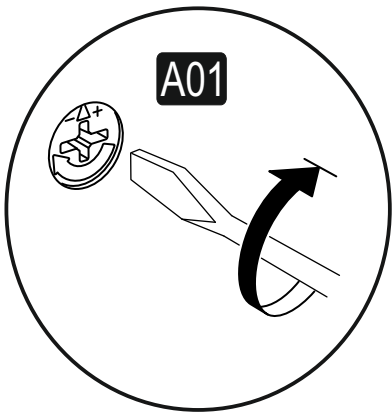
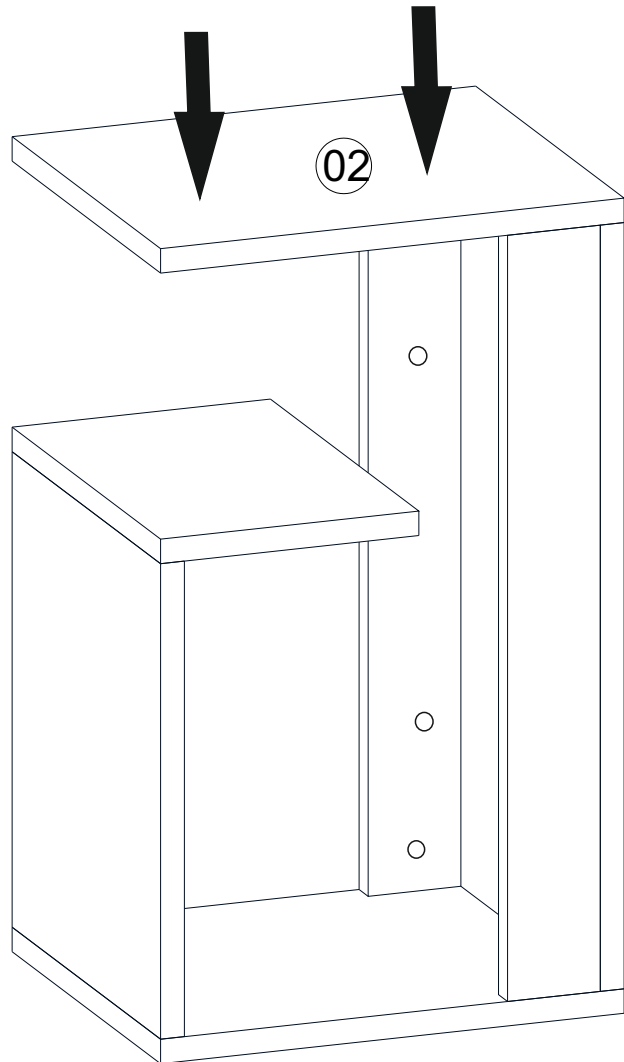
4



5



6



7

