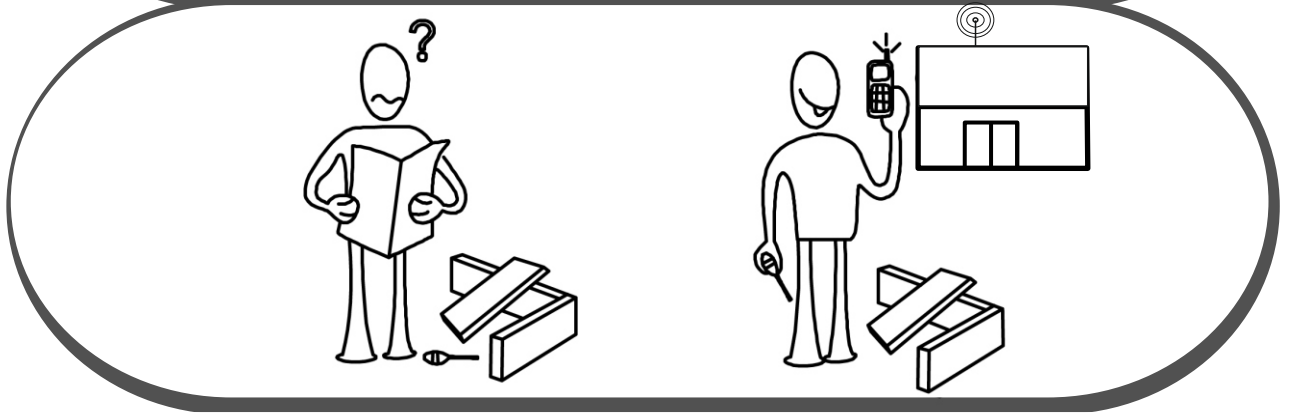
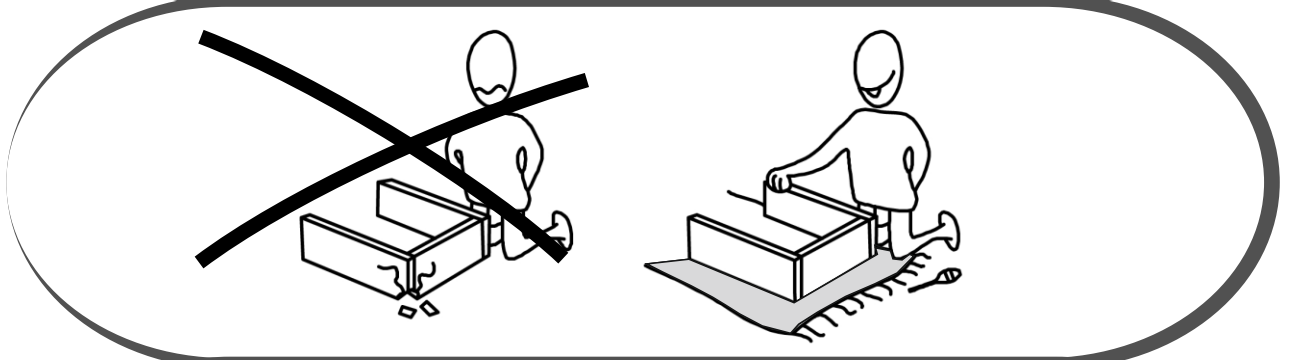
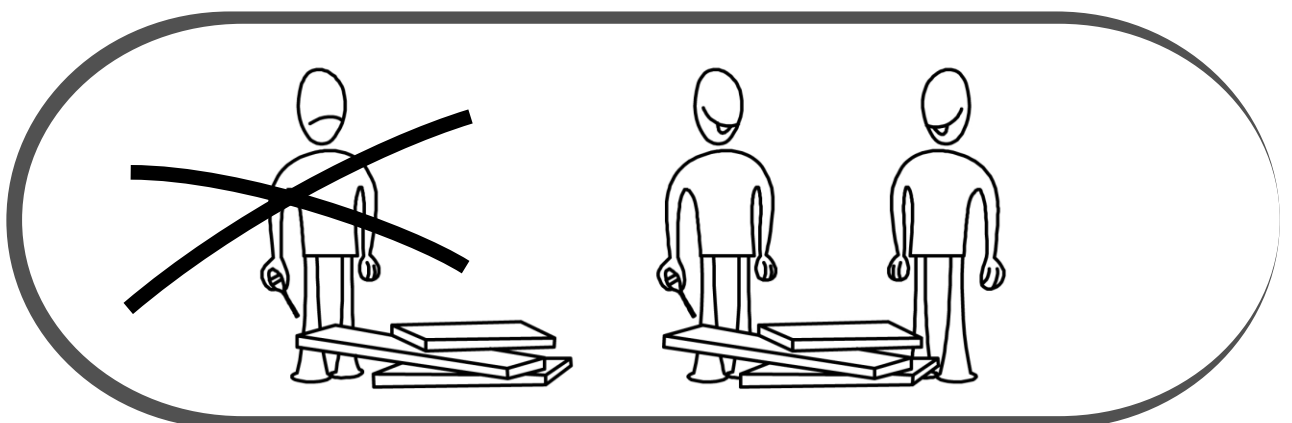
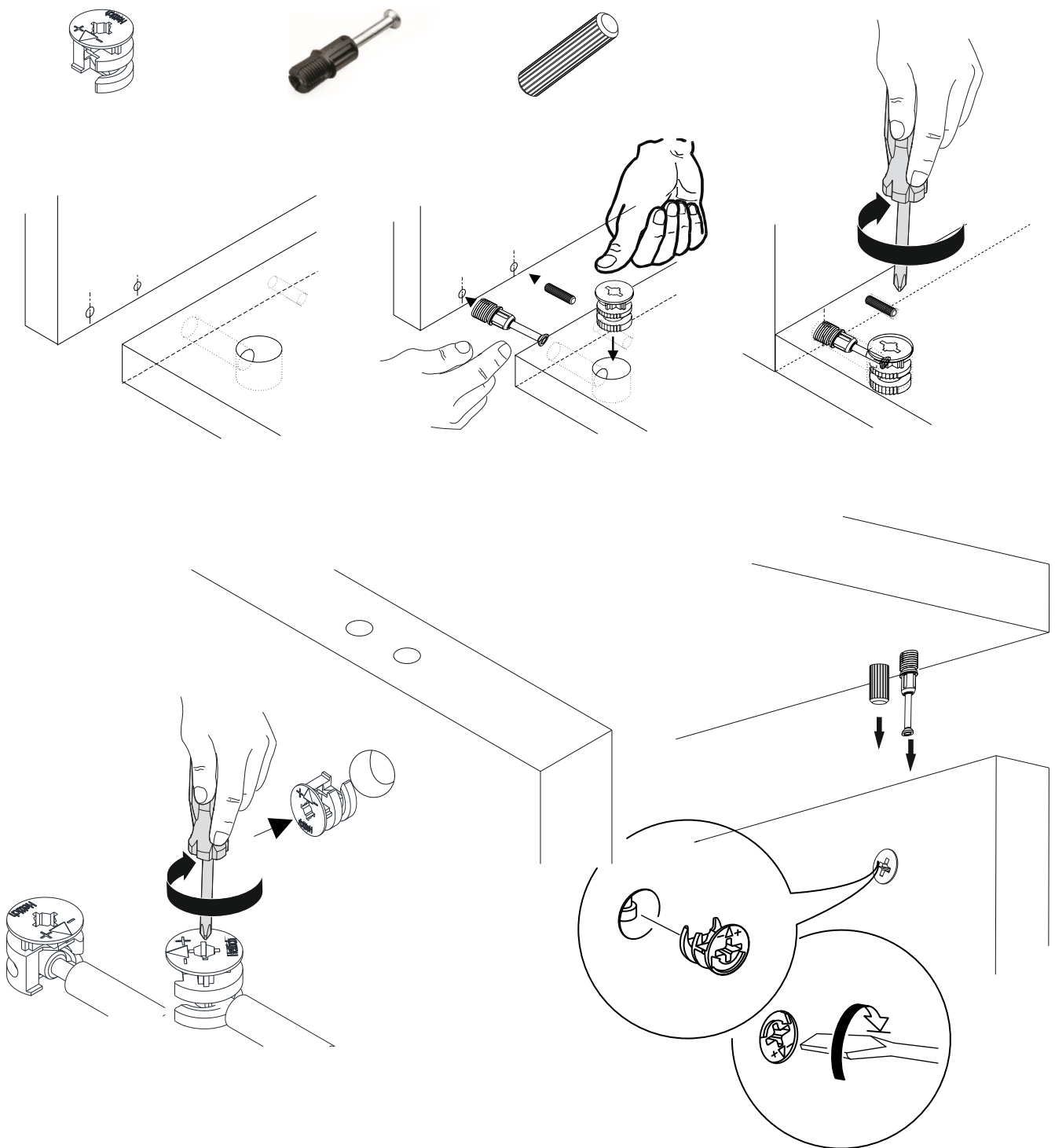
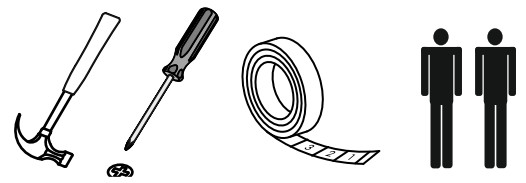


GP042-0085,2







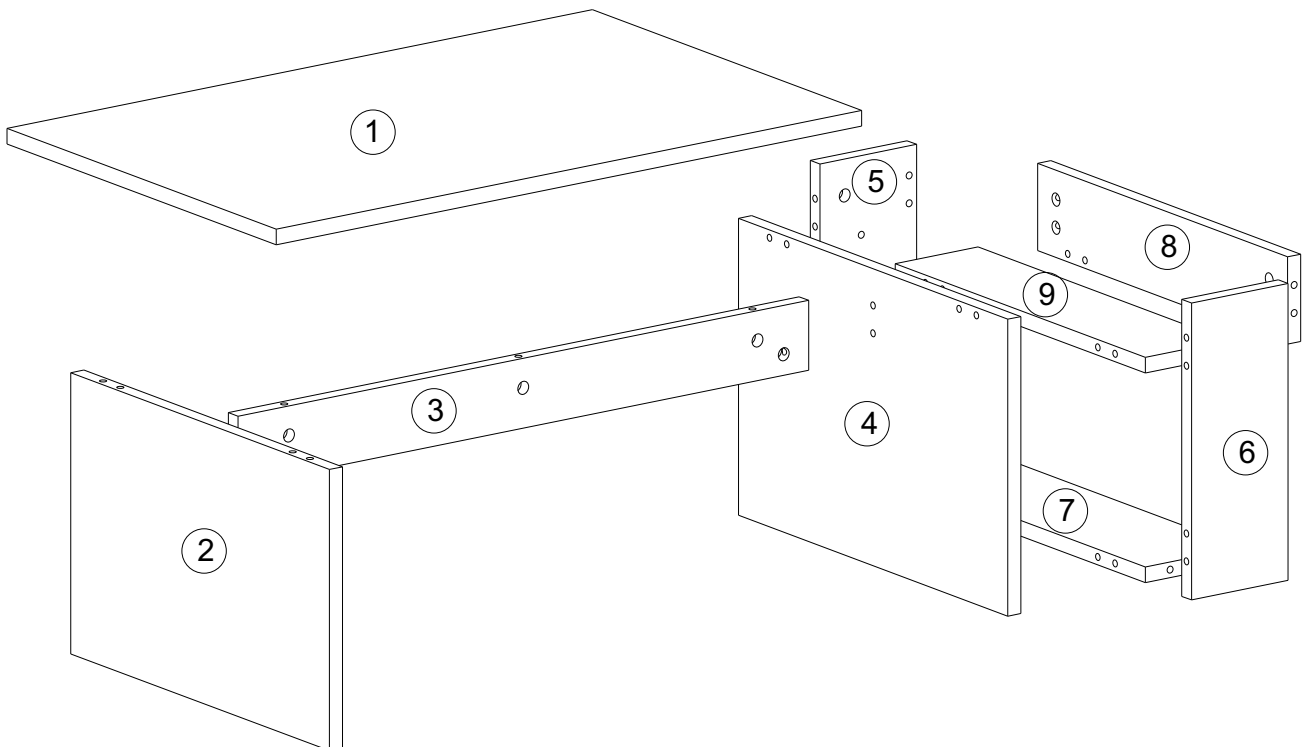
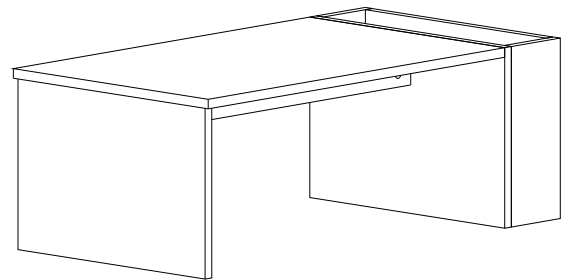


The necessary tools (not included)

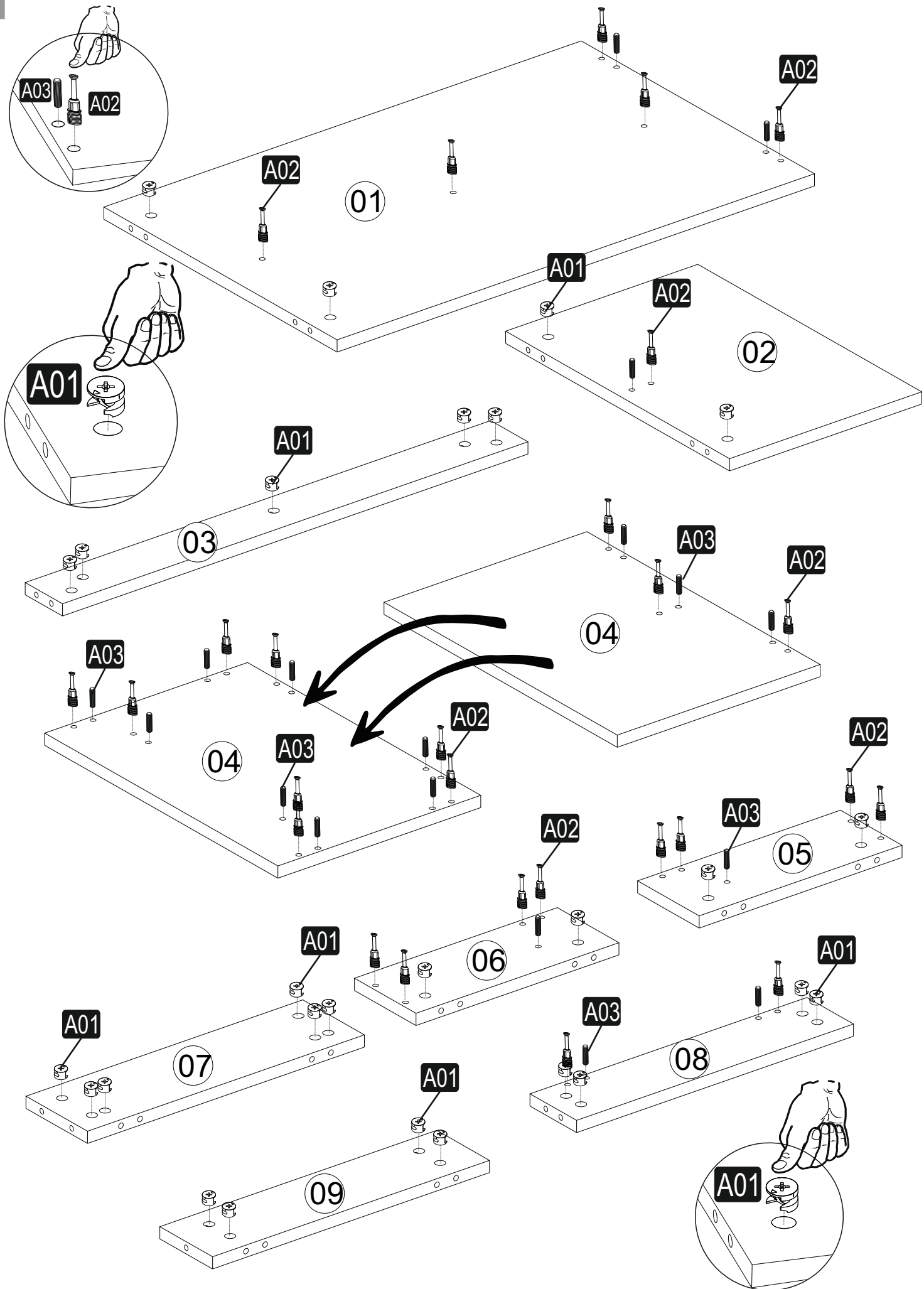
ACCESSORY LIST

 <p>A02 27x</p>	 <p>A01 27x</p>	 <p>A03 18x</p>	 <p>A04 A 7x D 20x</p>
---	---	---	---

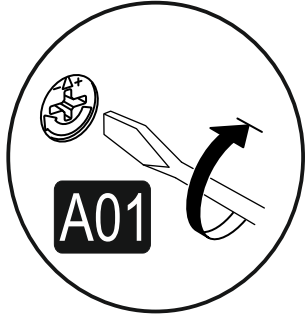
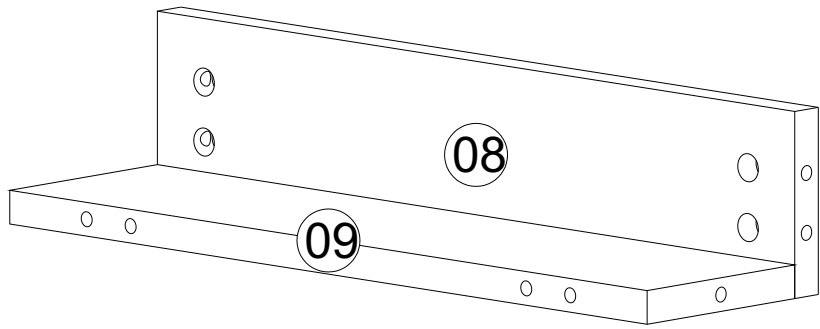
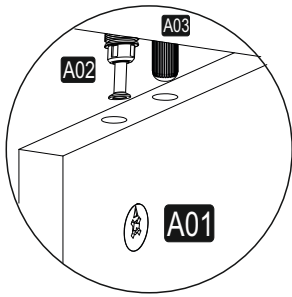
GENERAL VIEW



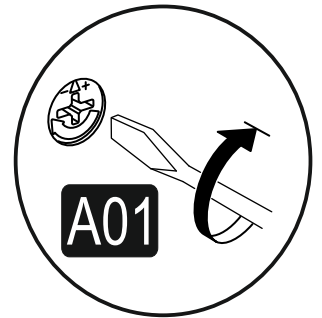
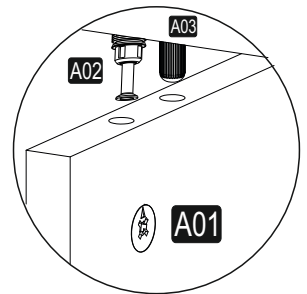
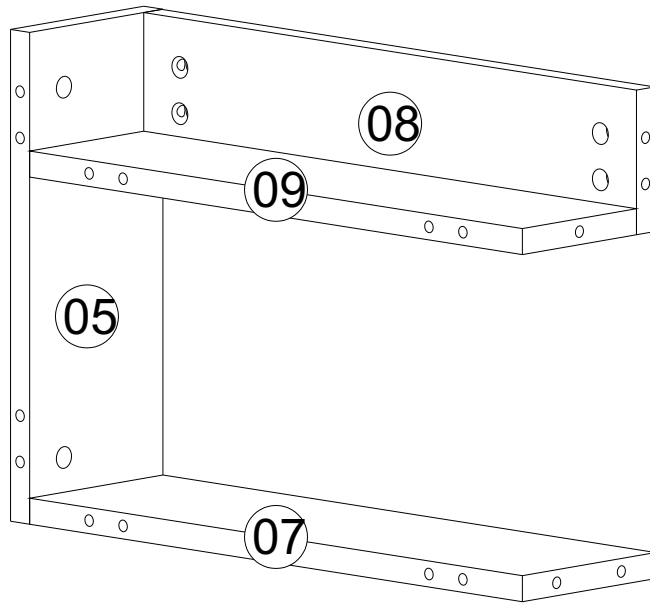
1



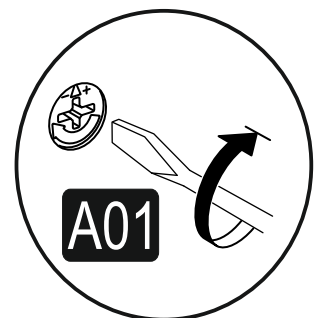
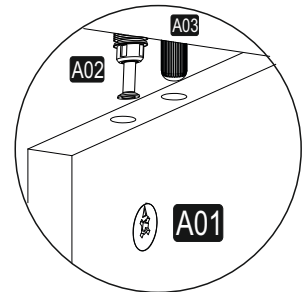
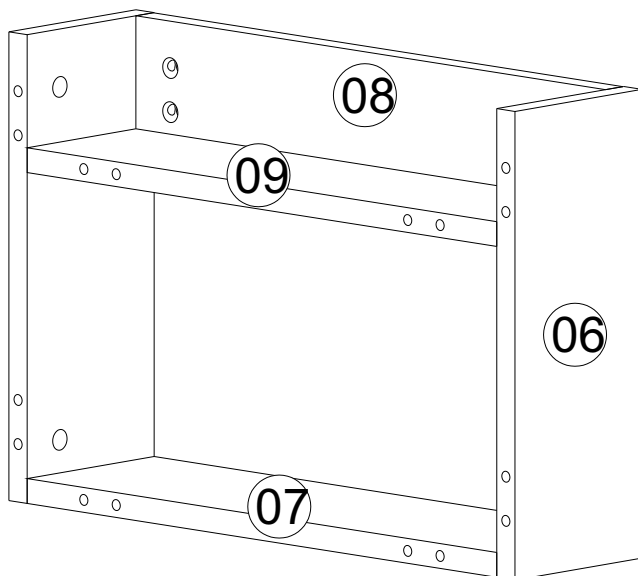
2



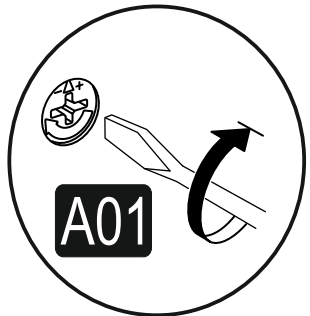
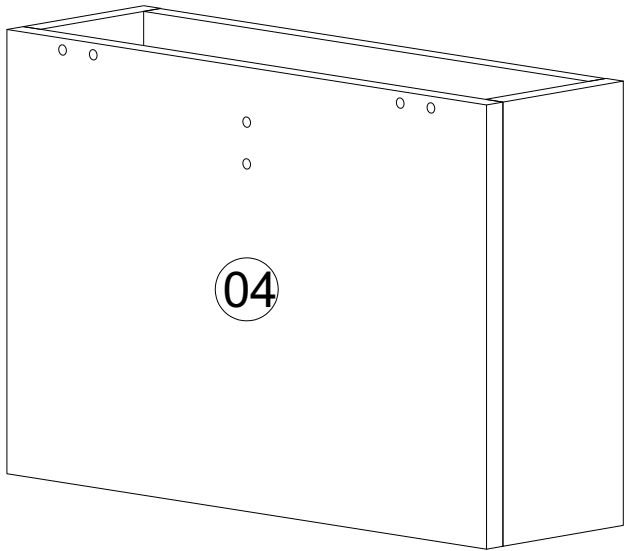
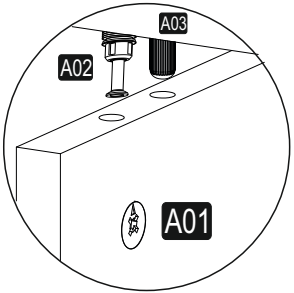
3



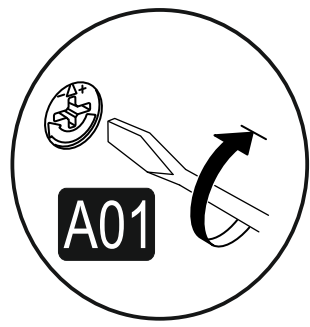
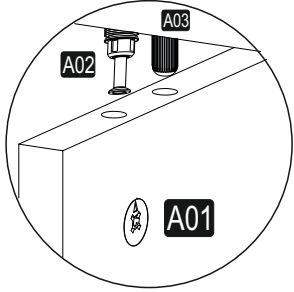
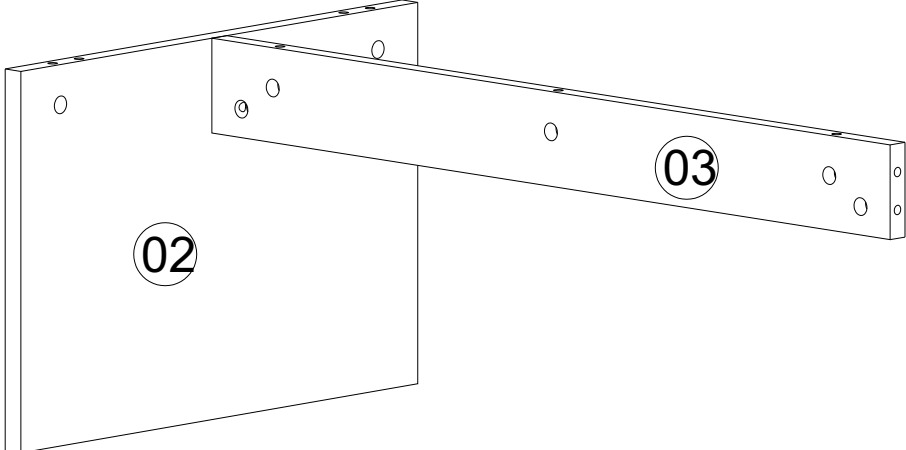
4



5



6



7

