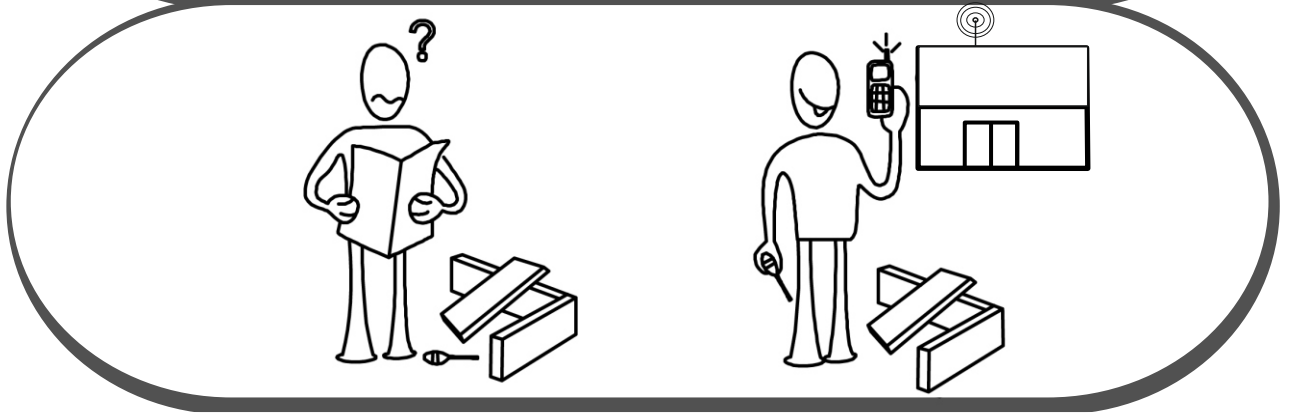
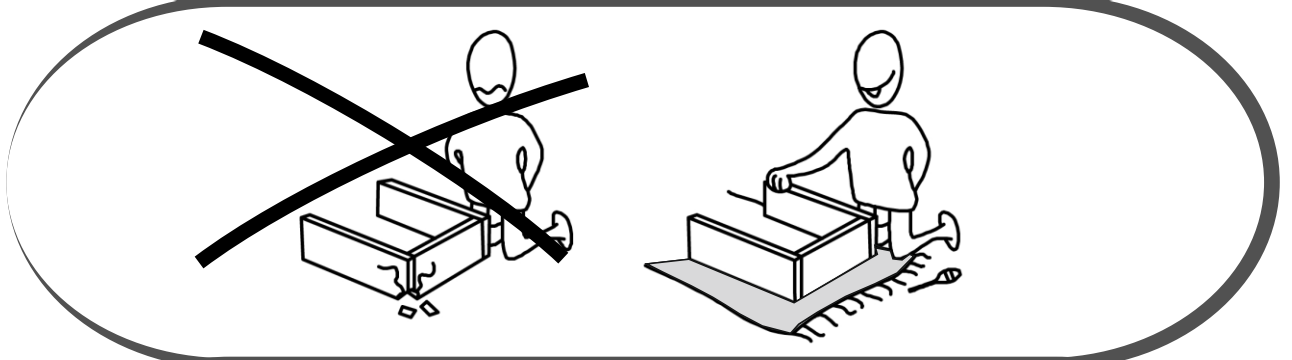
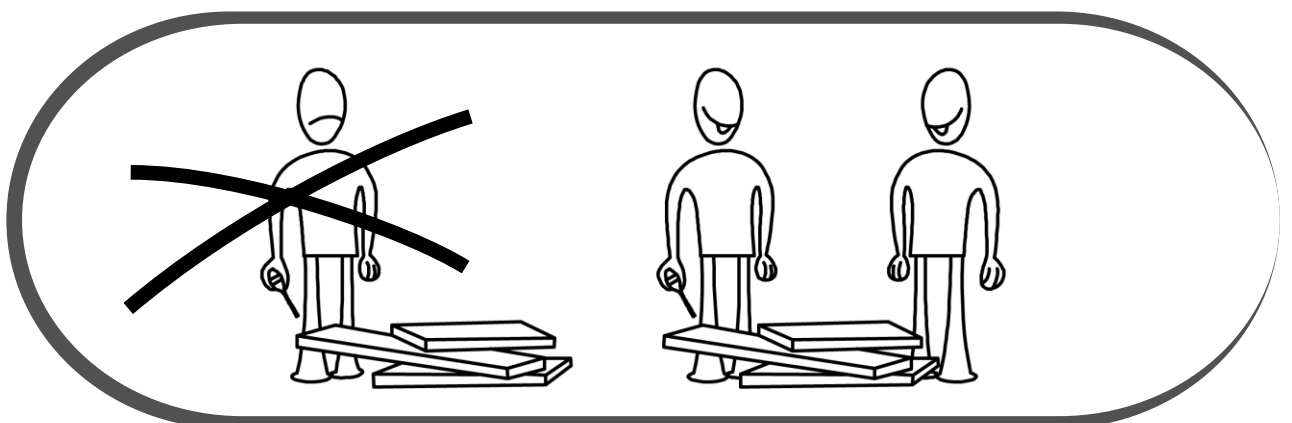
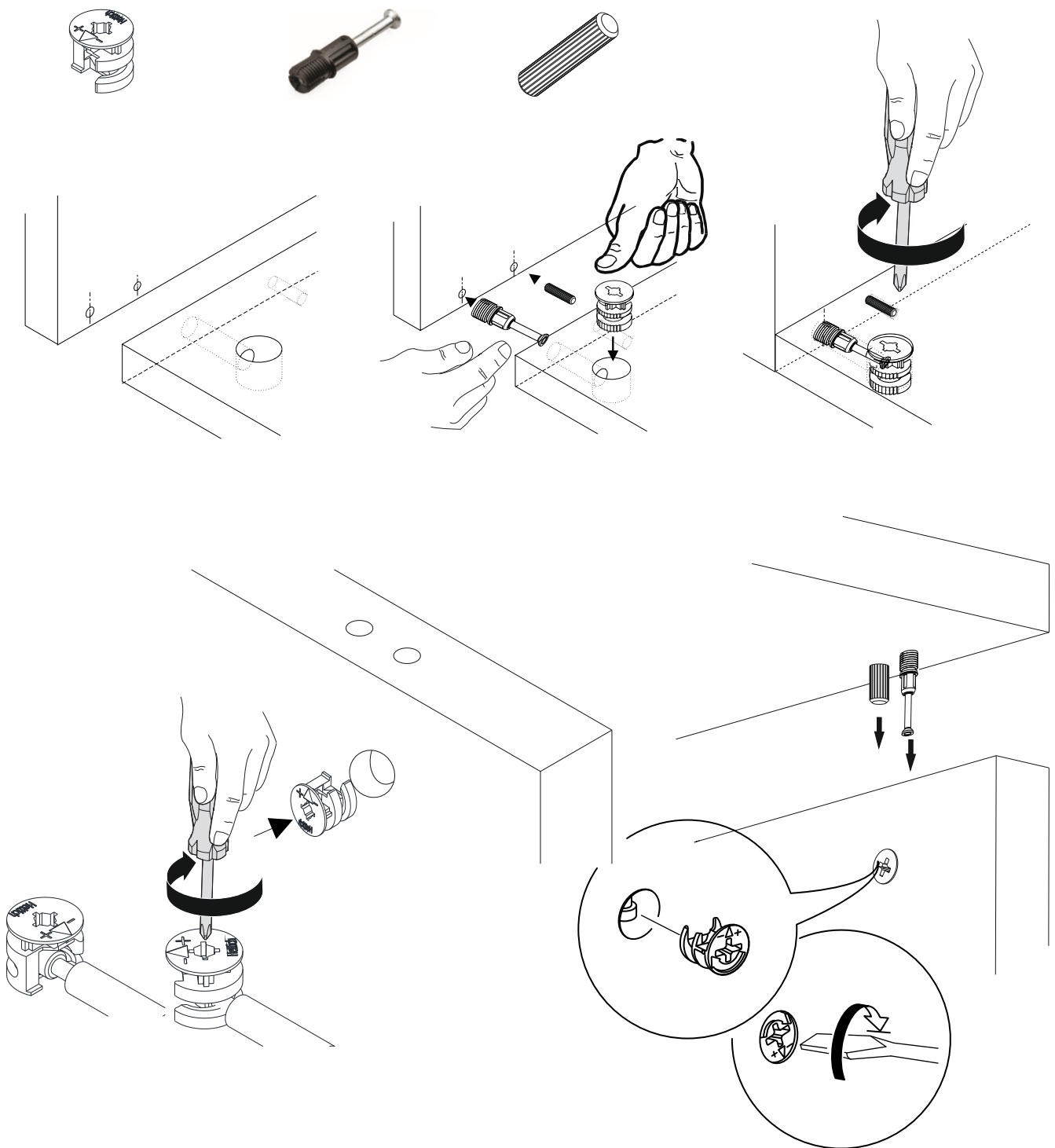
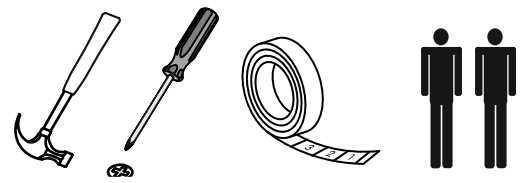


GP042-0085,1








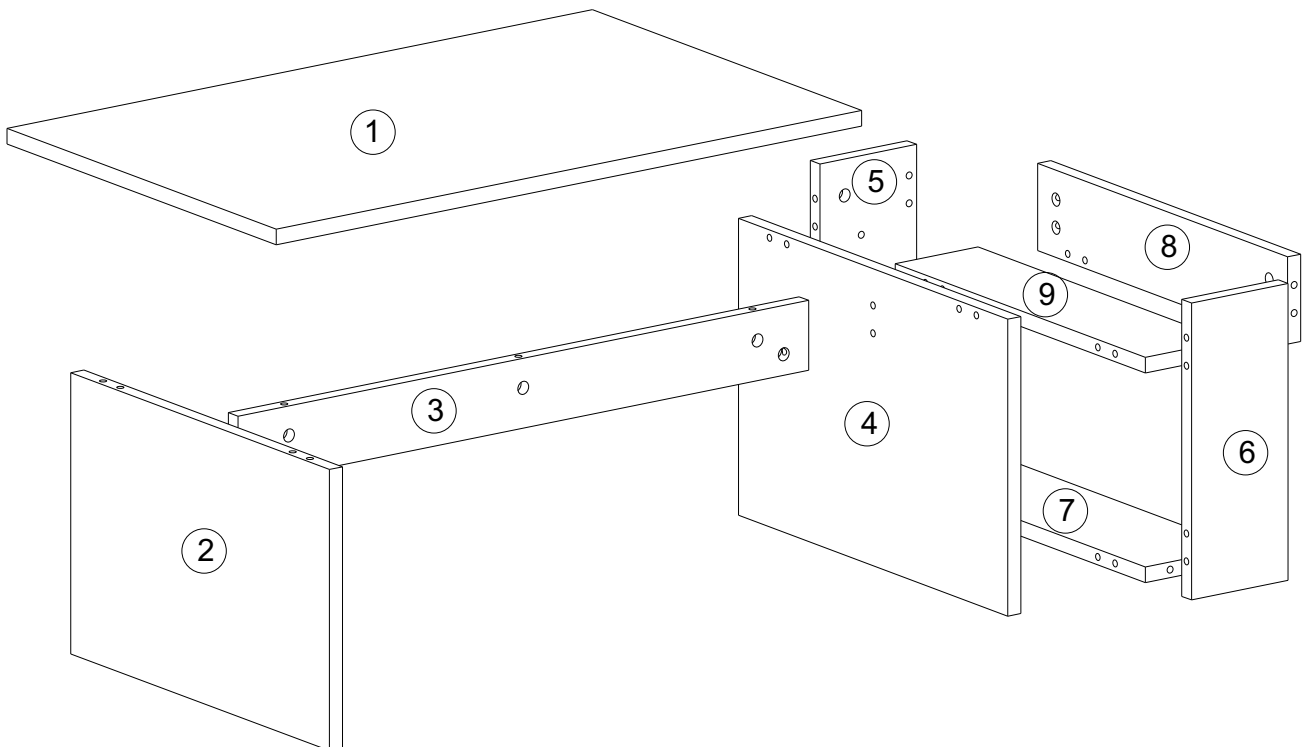
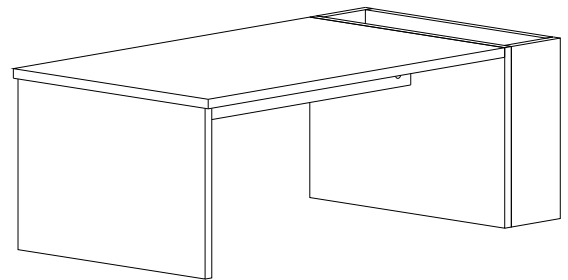


The necessary tools (not included)

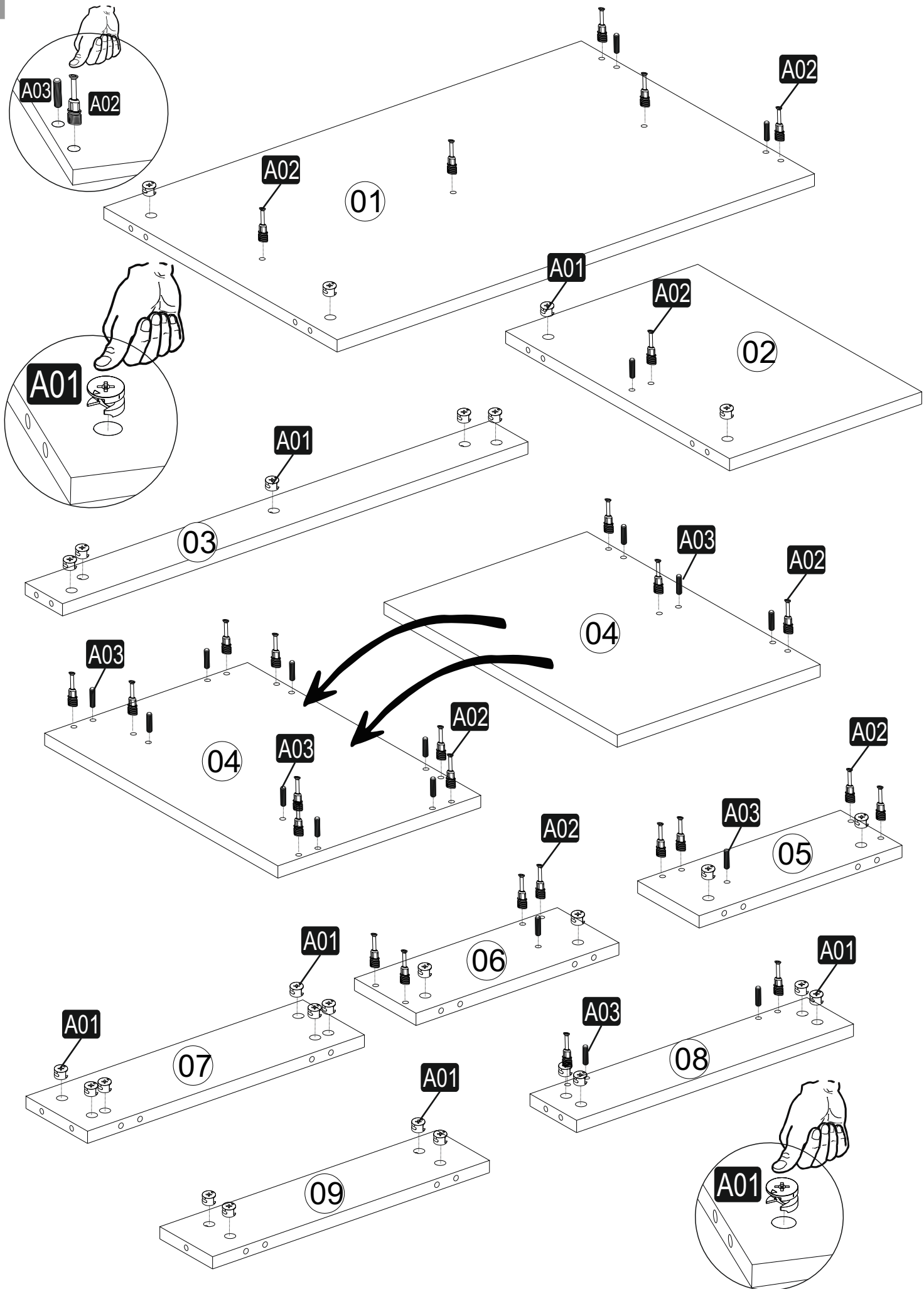
ACCESSORY LIST

A02  27x	A01  27x	A03  18x	A04  A 7x D 20x
---------------------------------------------------------------------------------------------------------------	---------------------------------------------------------------------------------------------------------------	---------------------------------------------------------------------------------------------------------------	---------------------------------------------------------------------------------------------------------------------------------

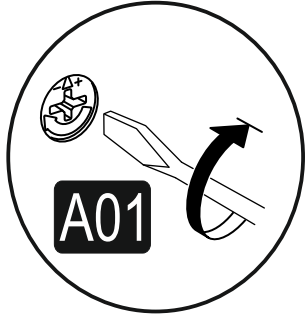
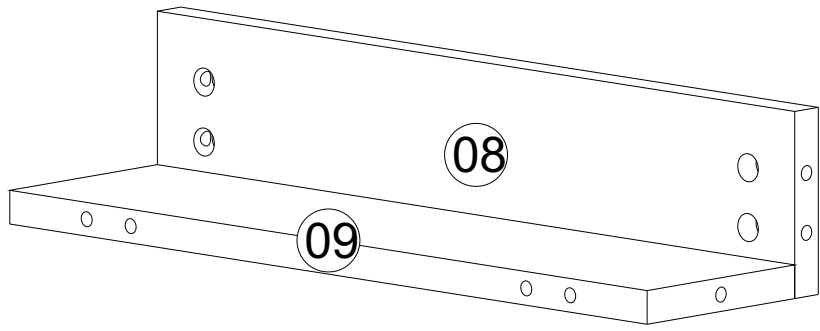
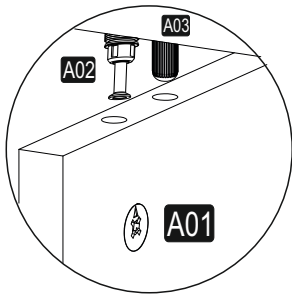
GENERAL VIEW



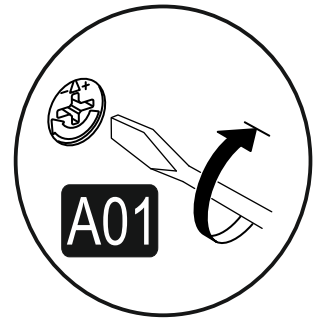
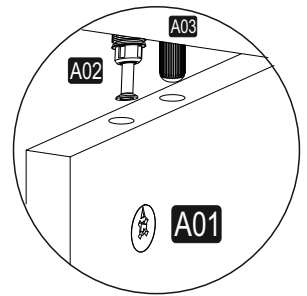
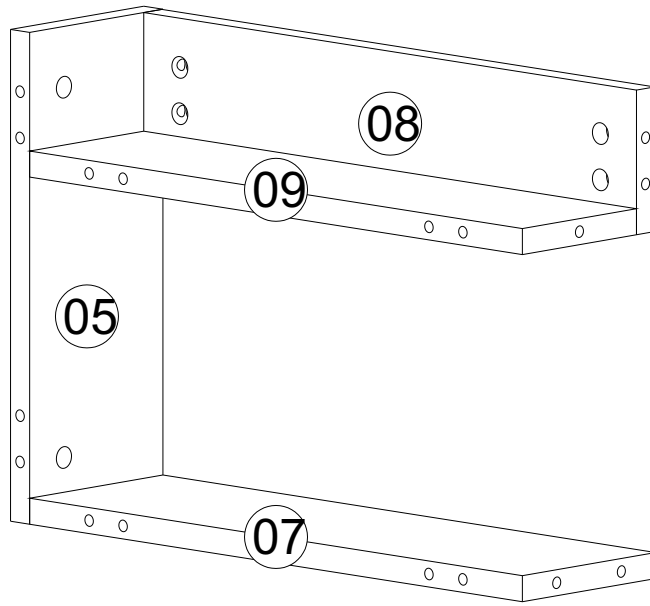
1



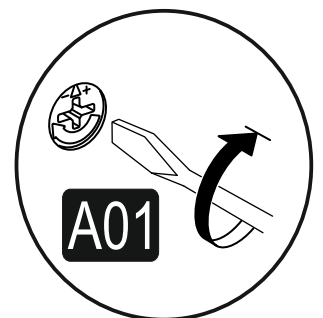
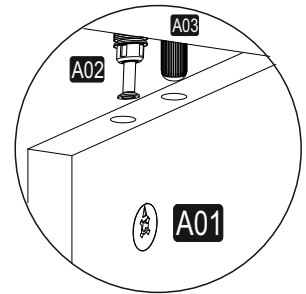
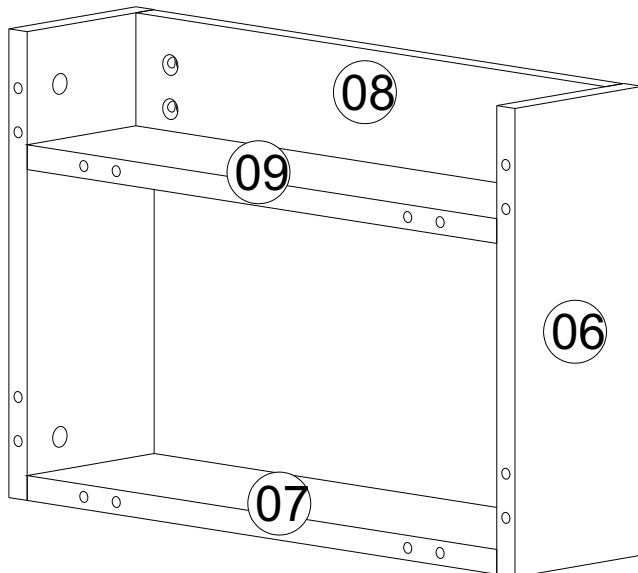
2



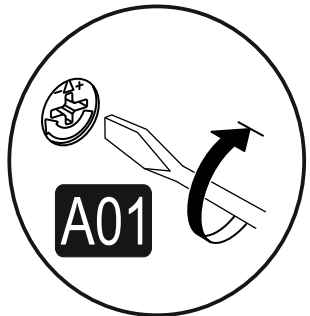
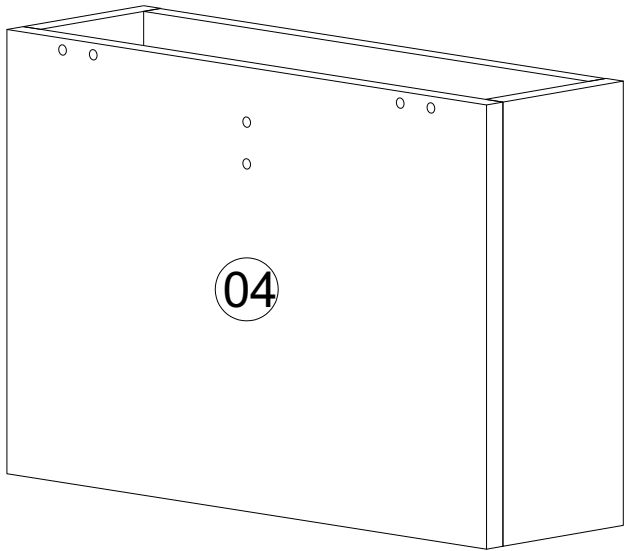
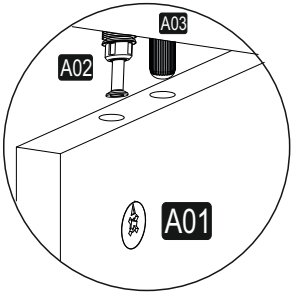
3



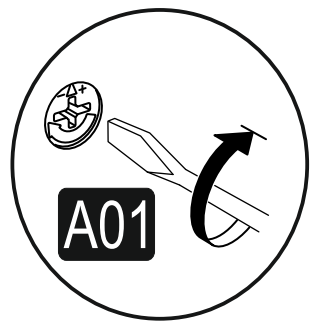
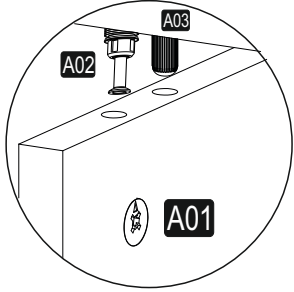
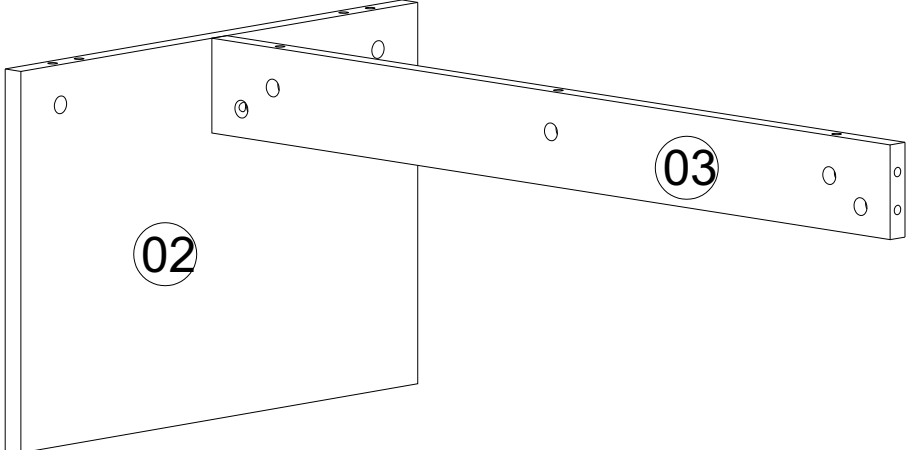
4



5



6



7

