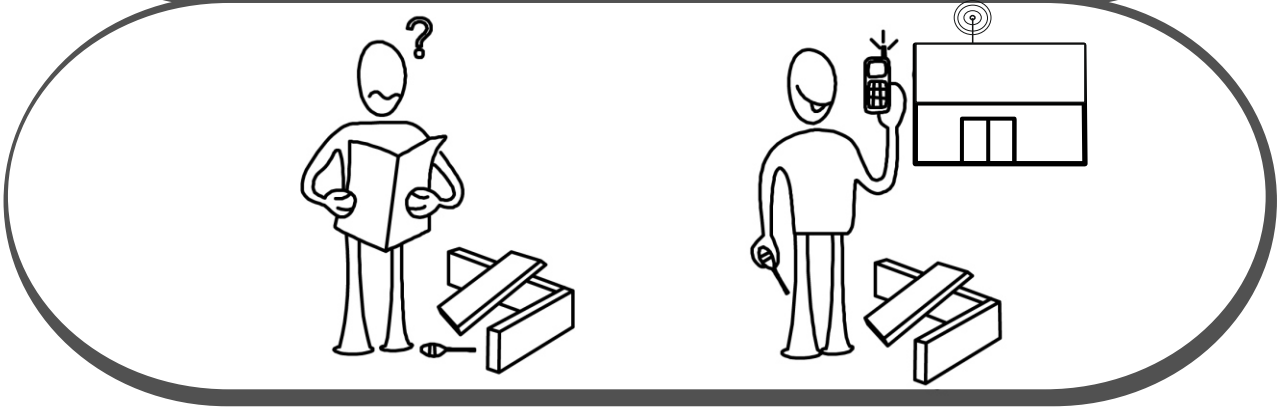
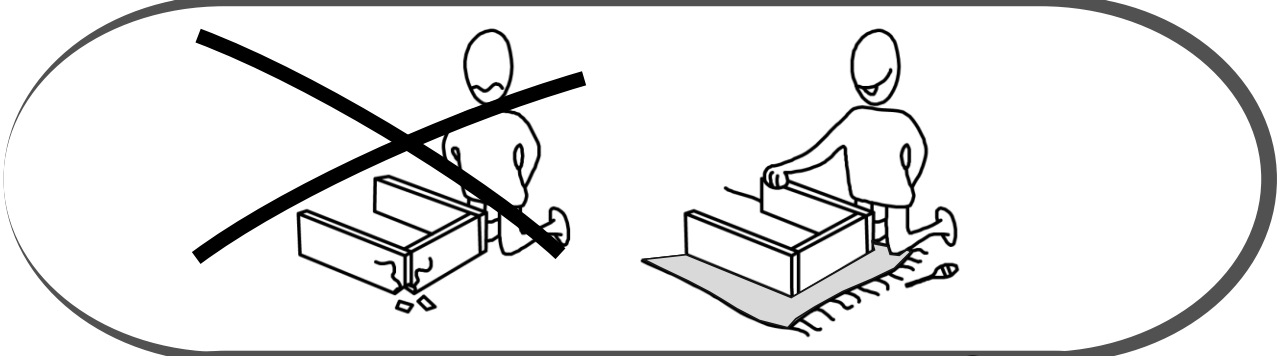
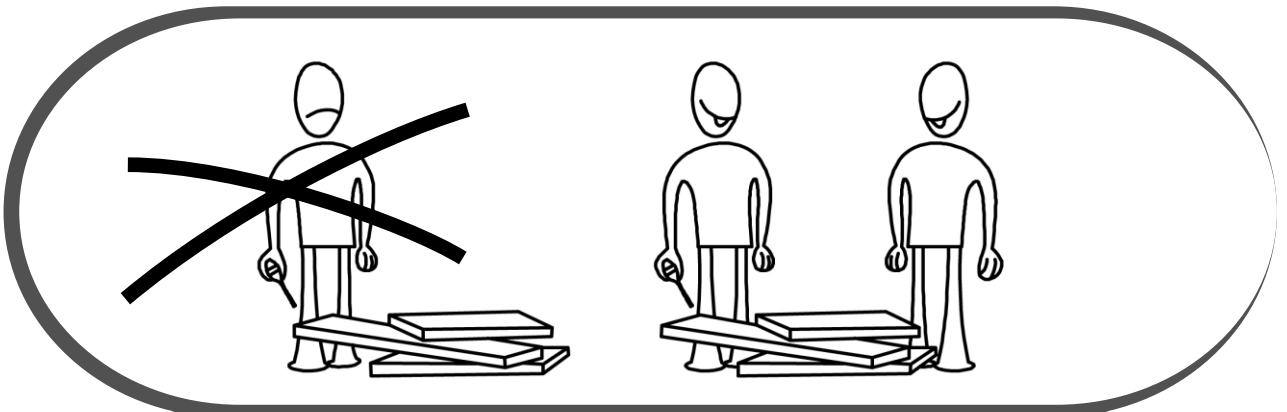
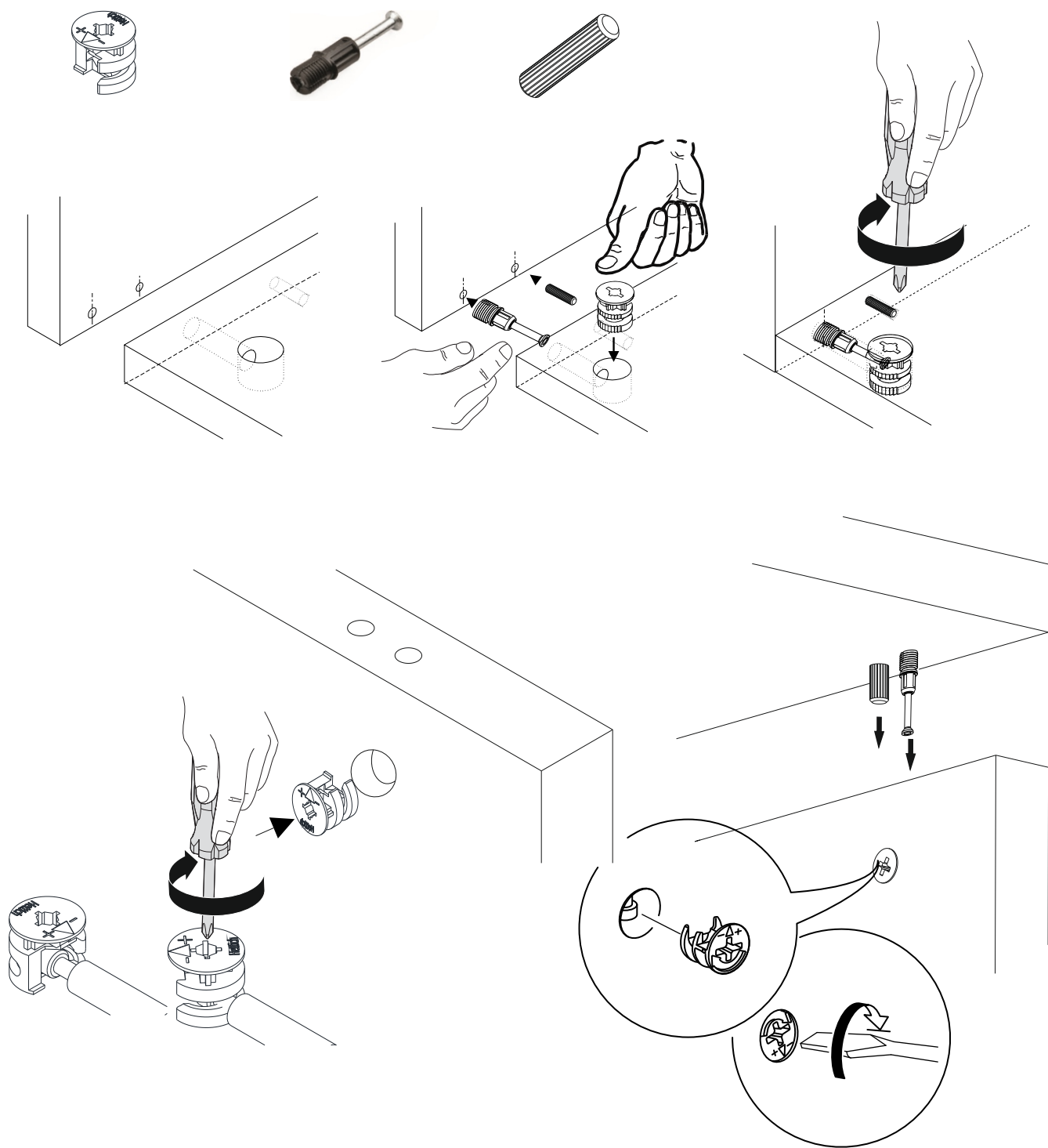
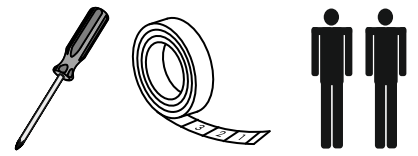


GP042-0081,1



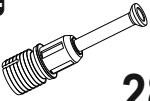
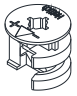
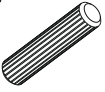
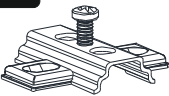


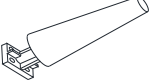







The necessary tools (not included)

ACCESSORY LIST

A02  28x	A01  28x 12 cm	A03  12x	A13  4x	A12  4x
A10 3,5x18  36x	A35  4x	A04  A 20x D 8x		

GENERAL VIEW

