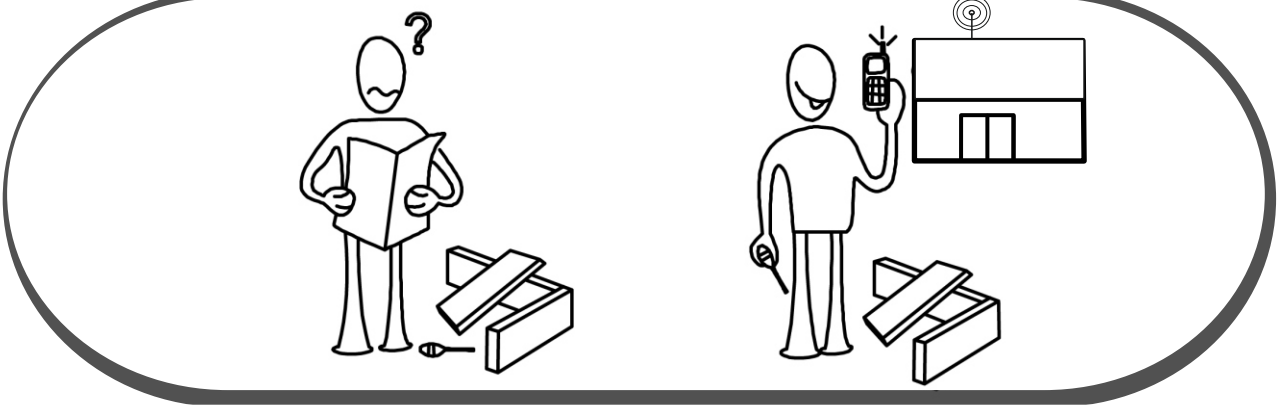
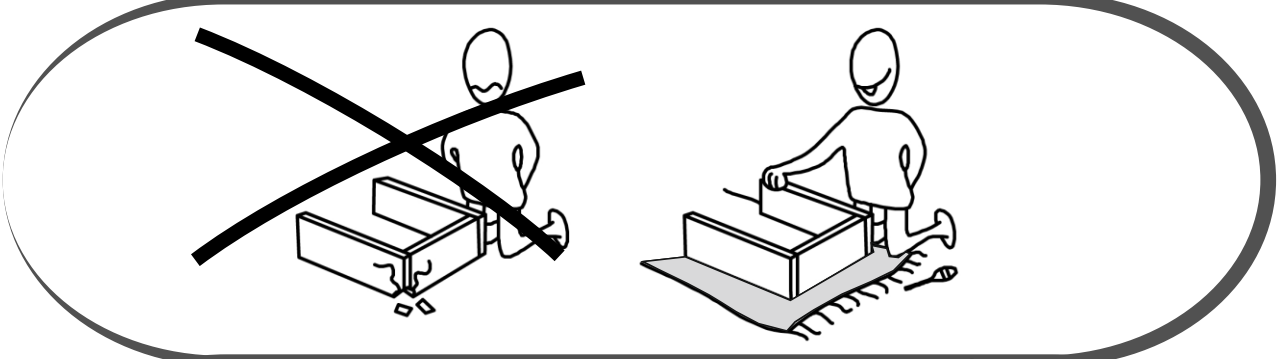
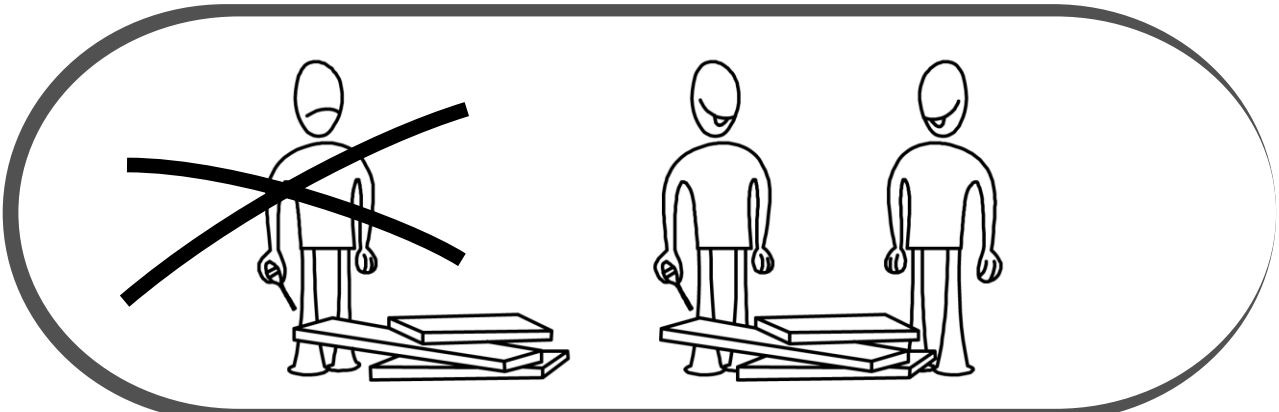
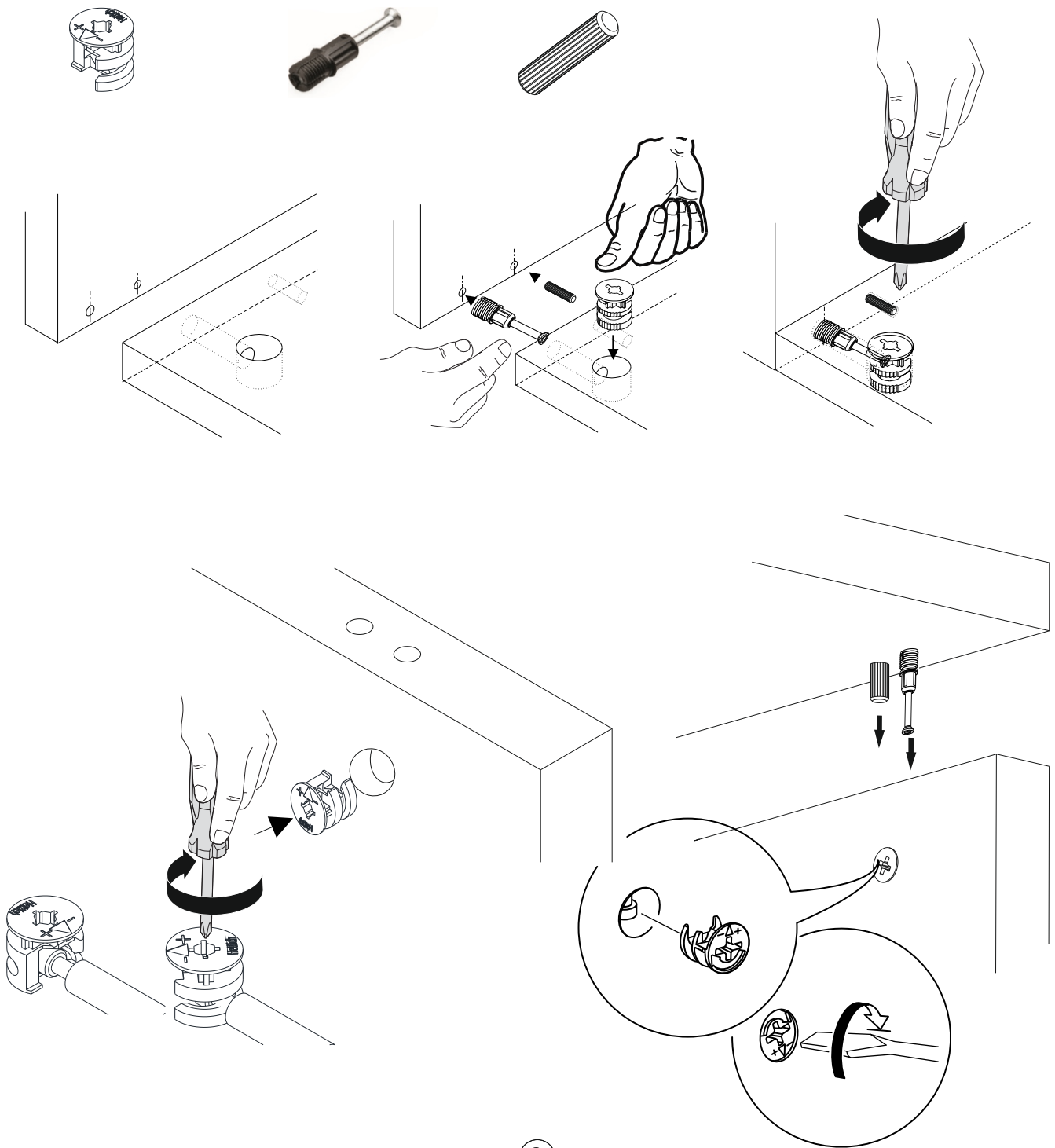
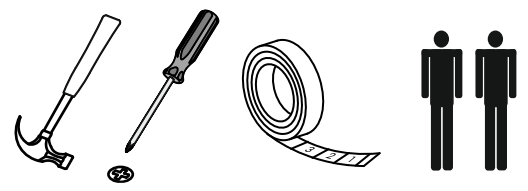


GP042-0080,1




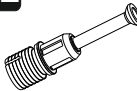

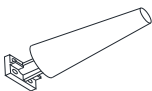






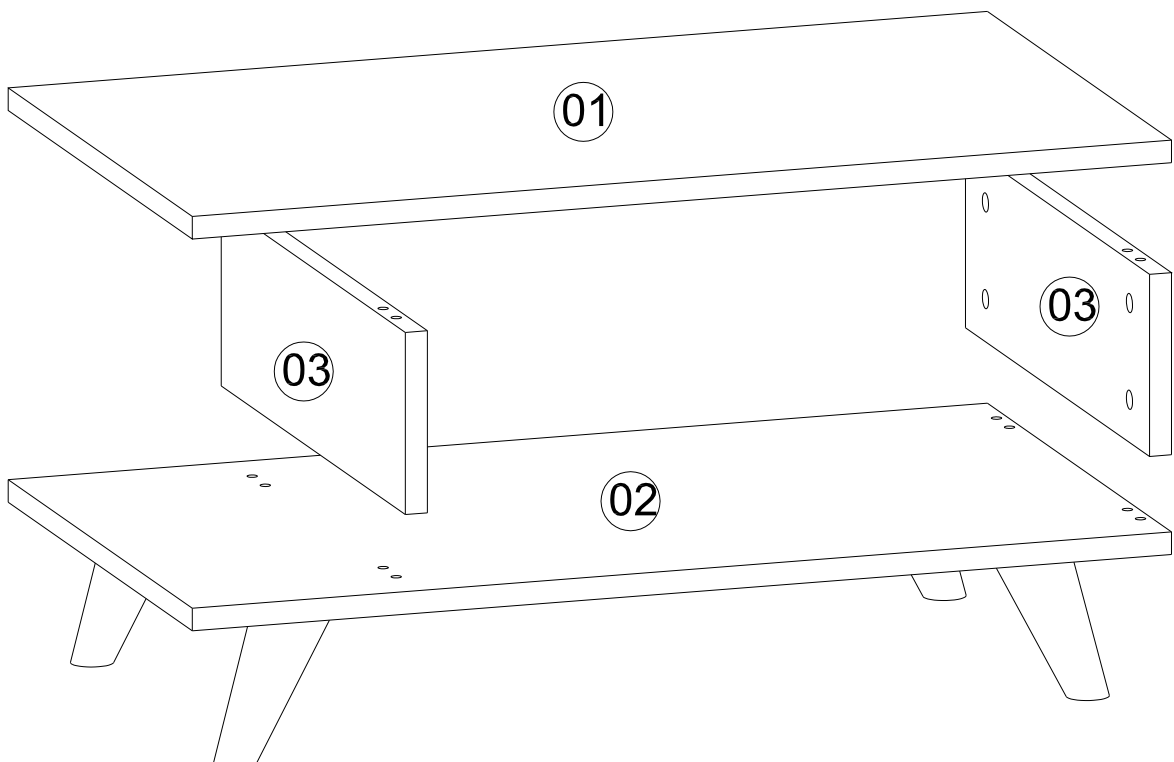


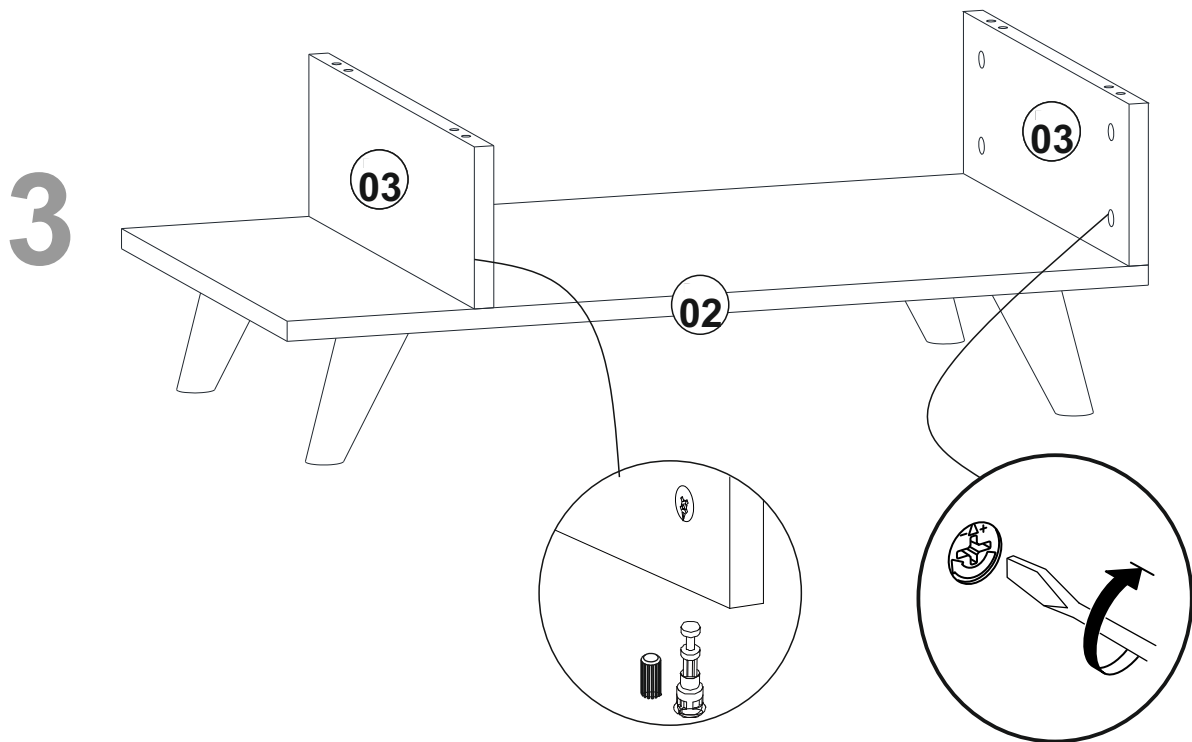
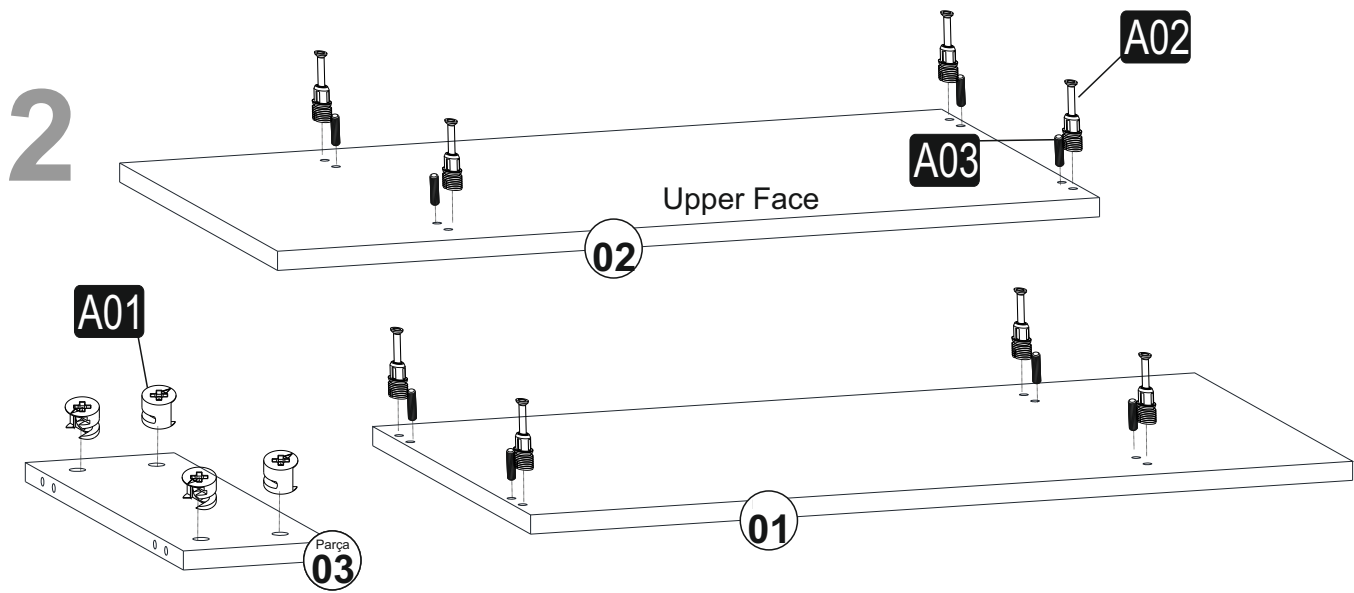
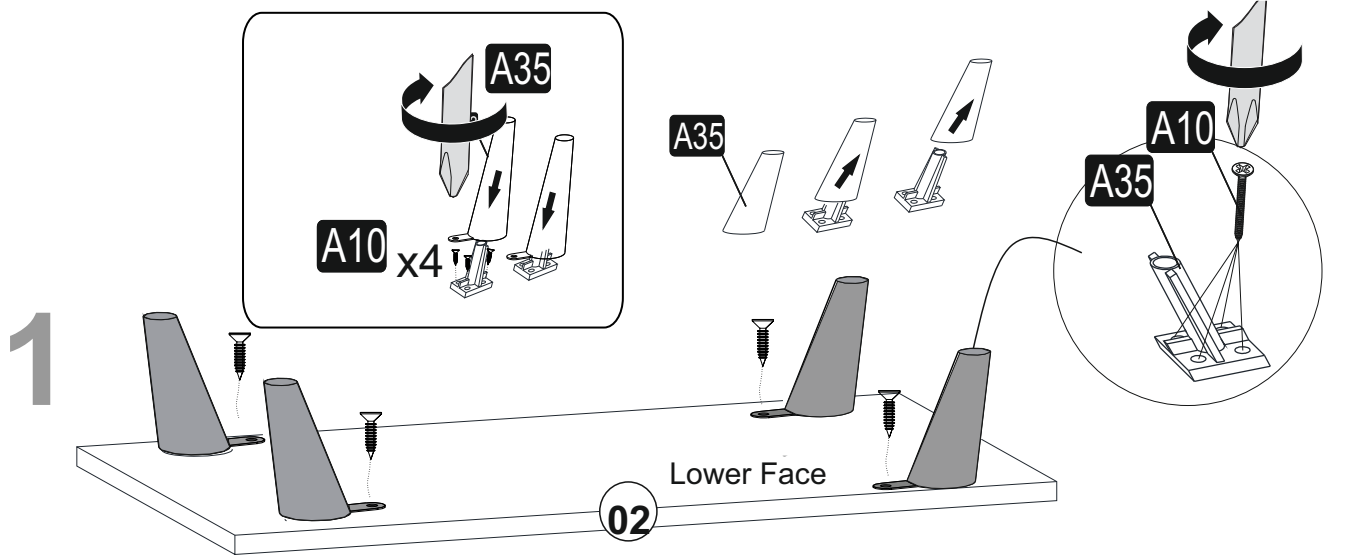
The necessary tools (not included)

'ACCESSORY LIST.

A01  8x	A02  8x	A03  8x	A35  4x	A04  A 8x
A10  20x 3,5x18				

GENERAL VIEW





4

