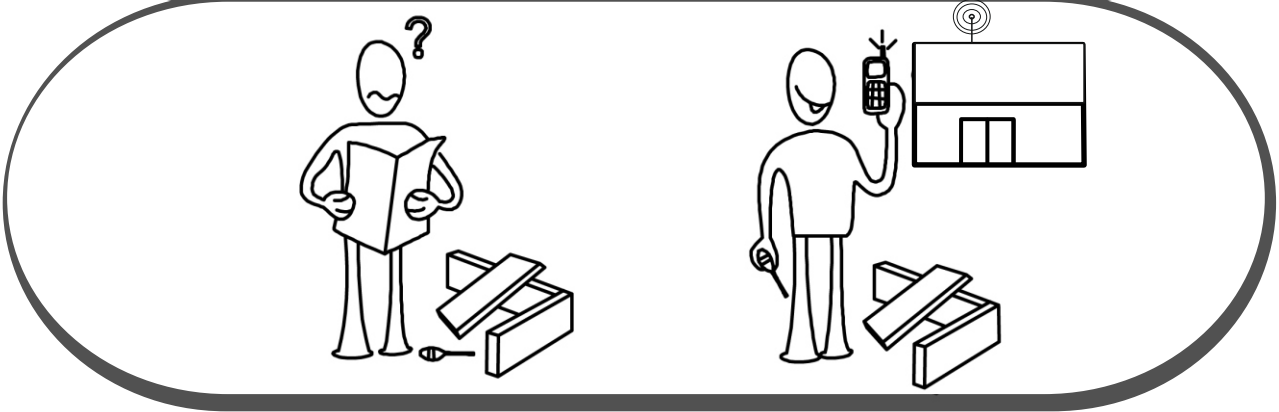
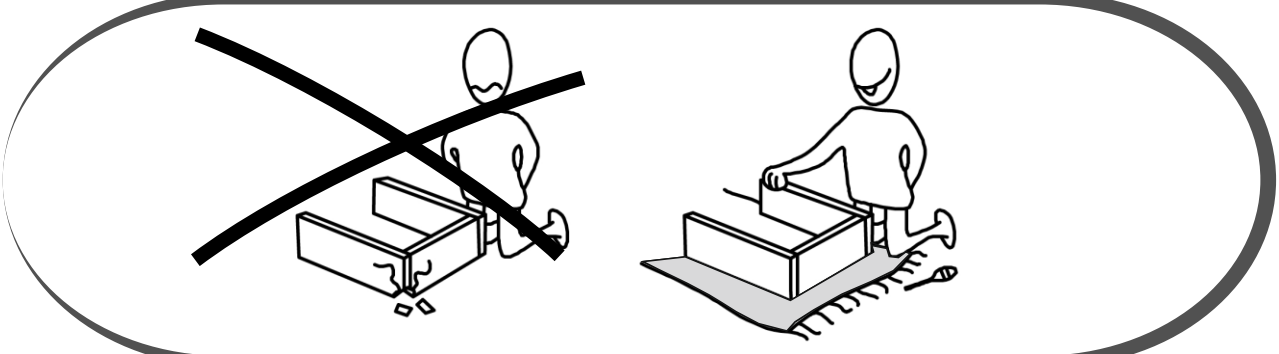
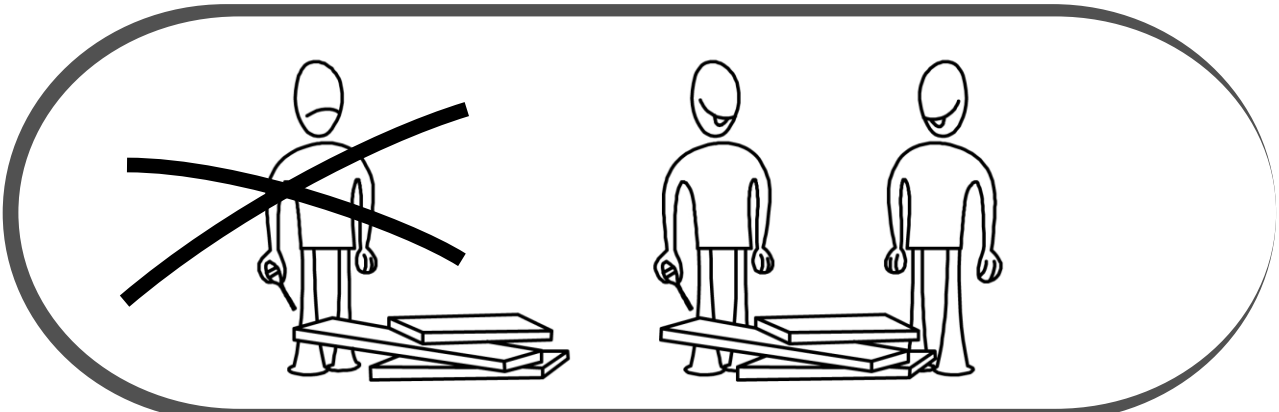
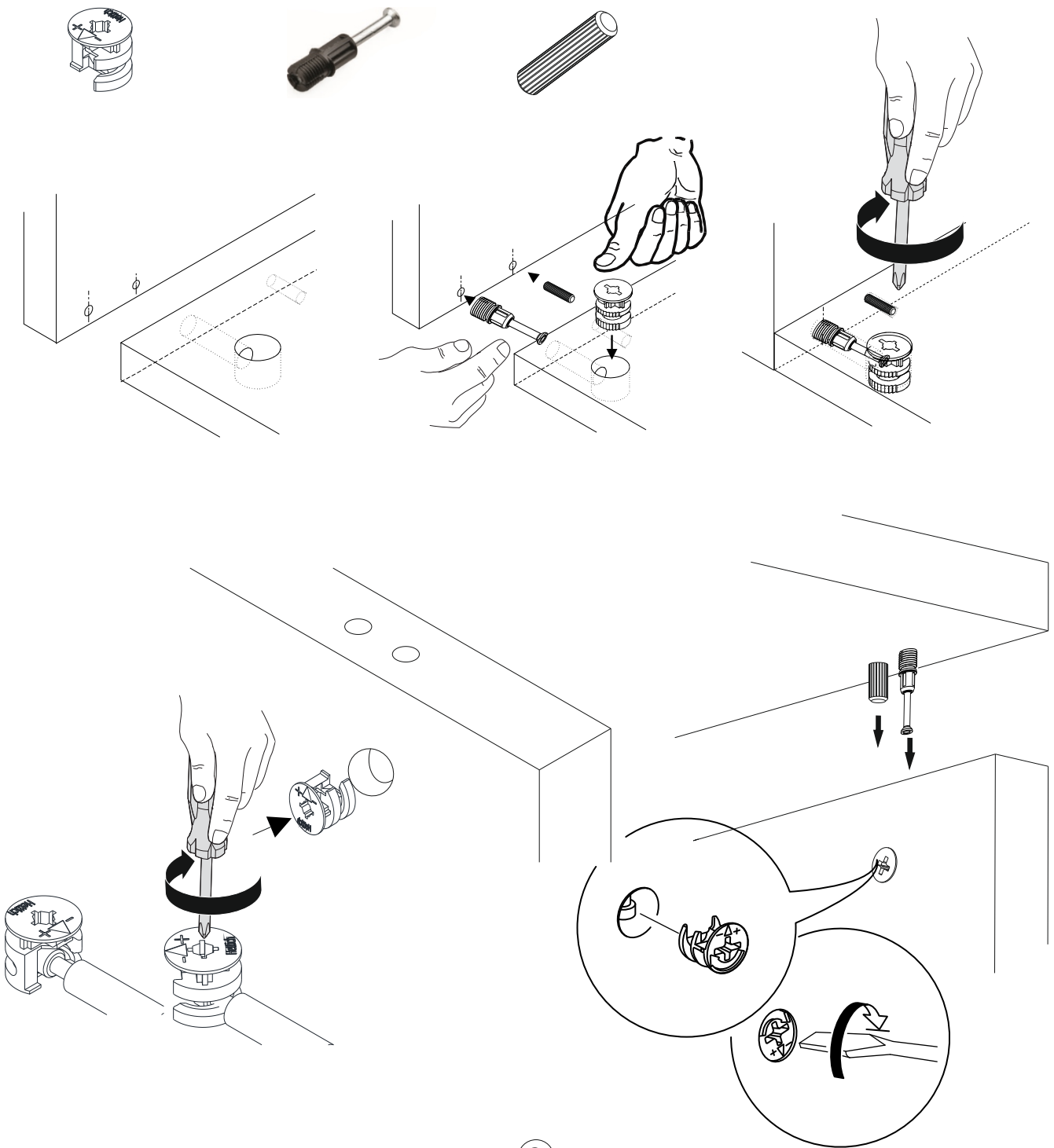
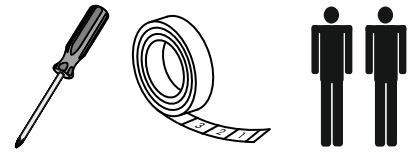


GP042-0069,1




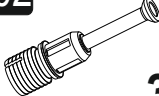
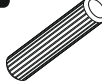

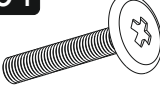
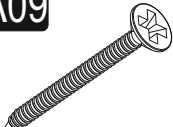


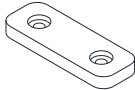





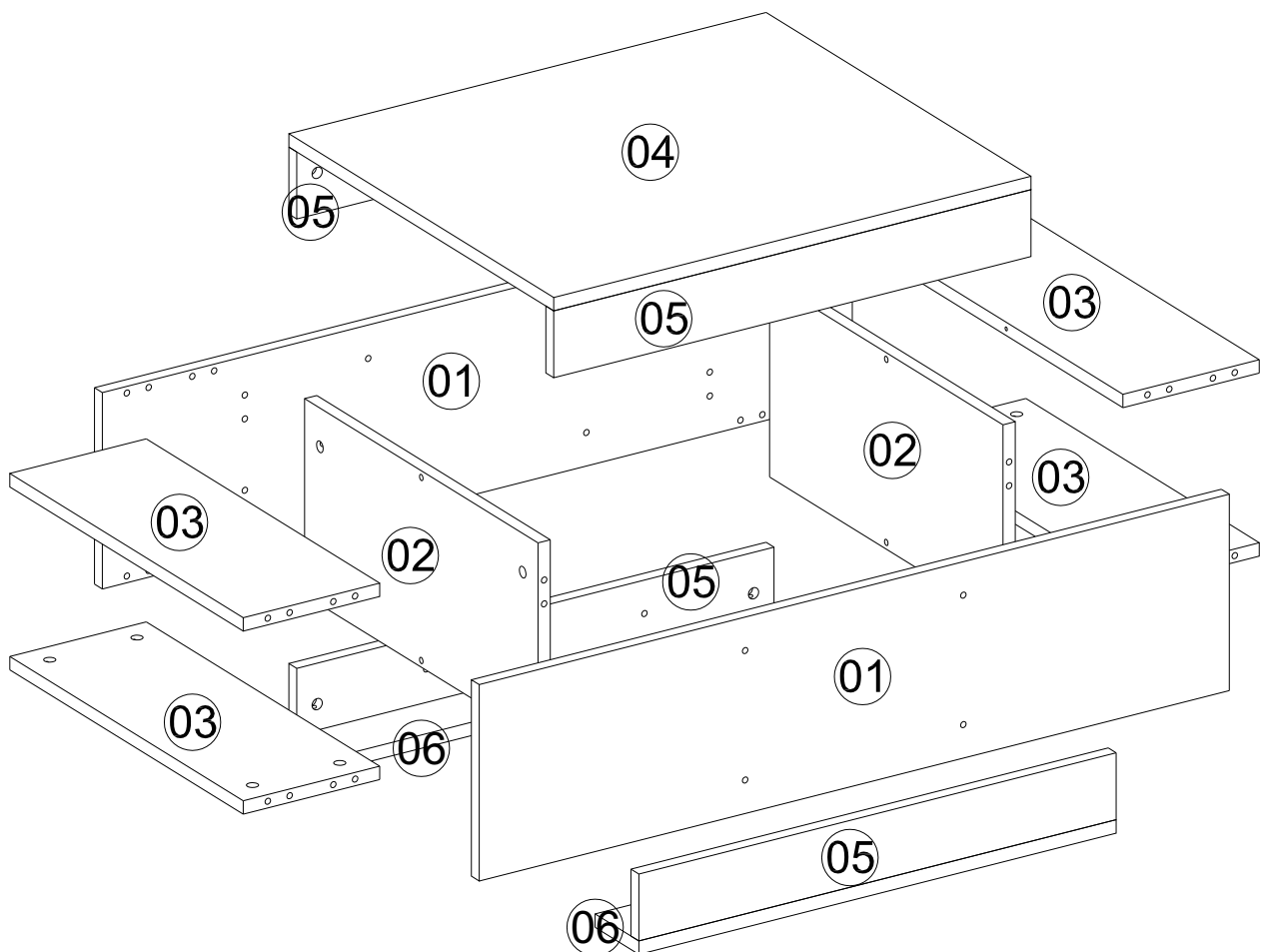


The necessary tools (not included)

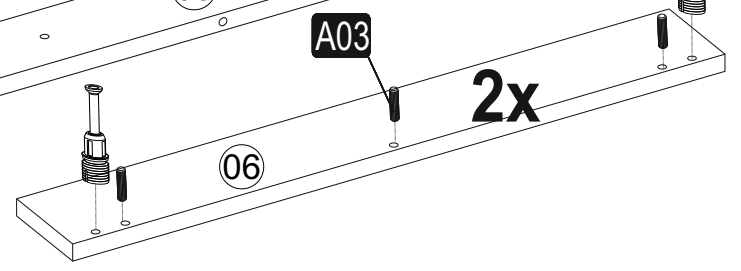
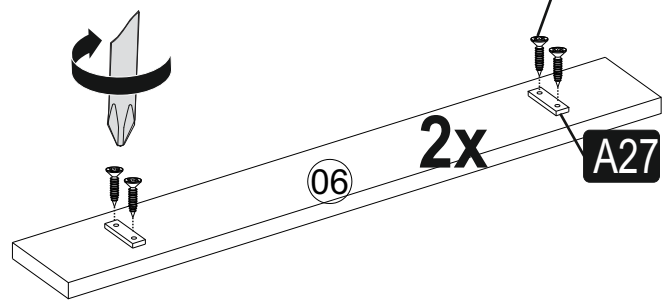
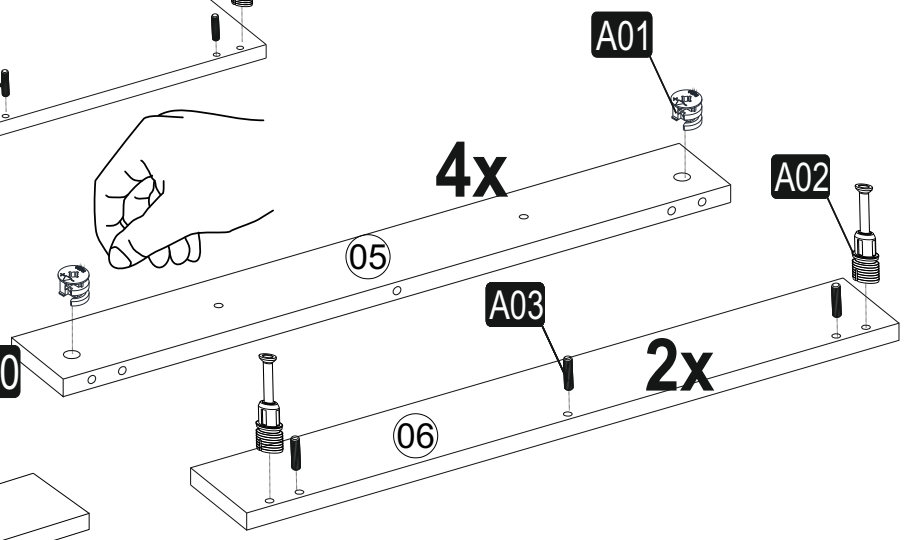
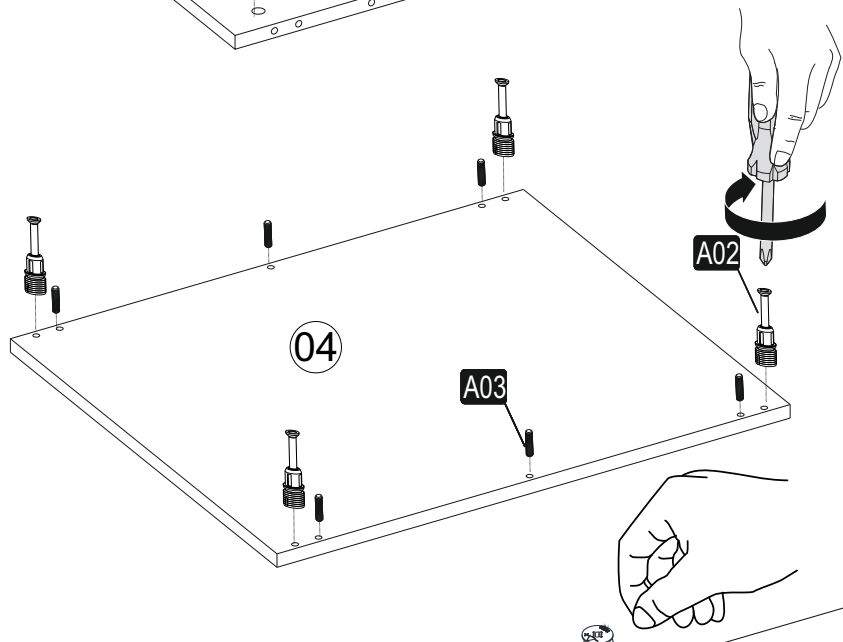
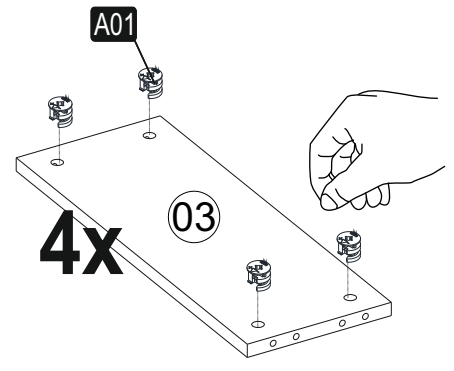
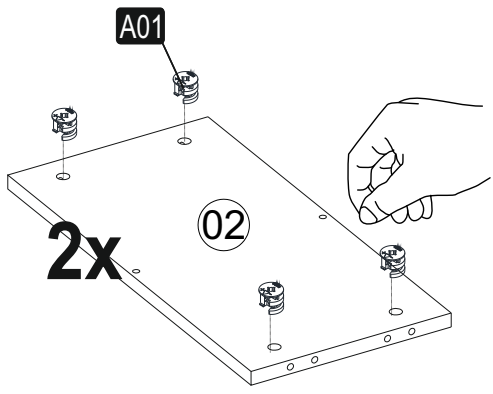
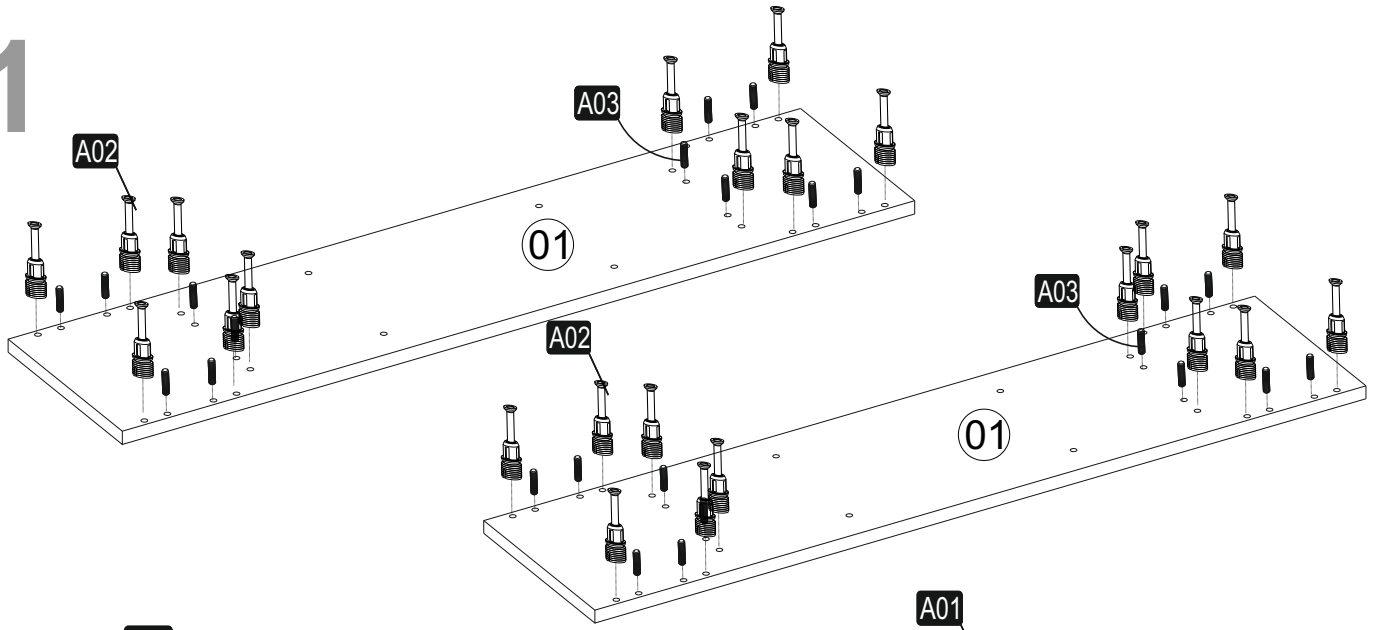
ACCESSORY LIST

| | | | | |
|---|--|--|--|---|
| A01  32x | A02  32x | A03  36x | A17  1x | A34  8x |
| A09  4x50 4x | A16  A 4x | A04  A 24x D 8x | A27  4x | A10  3,5x18 YHB 8x |

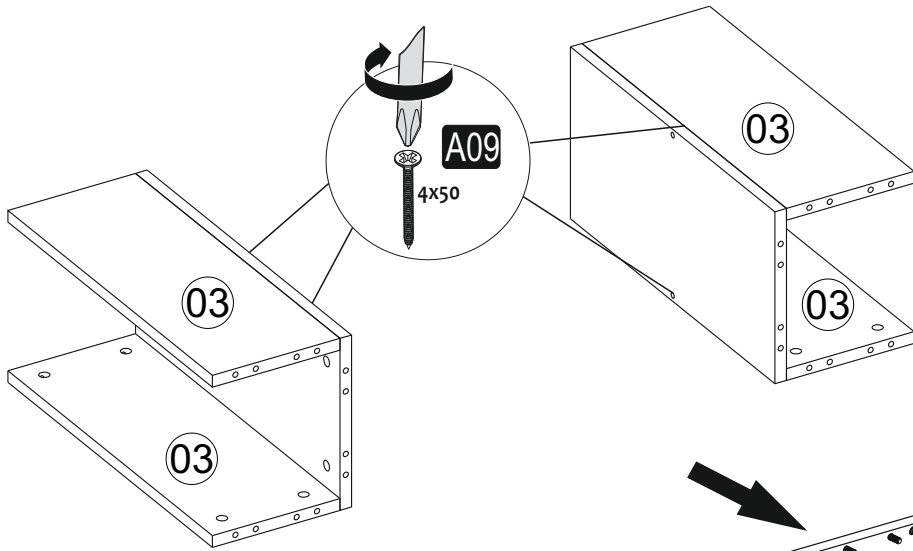
GENERAL VIEW



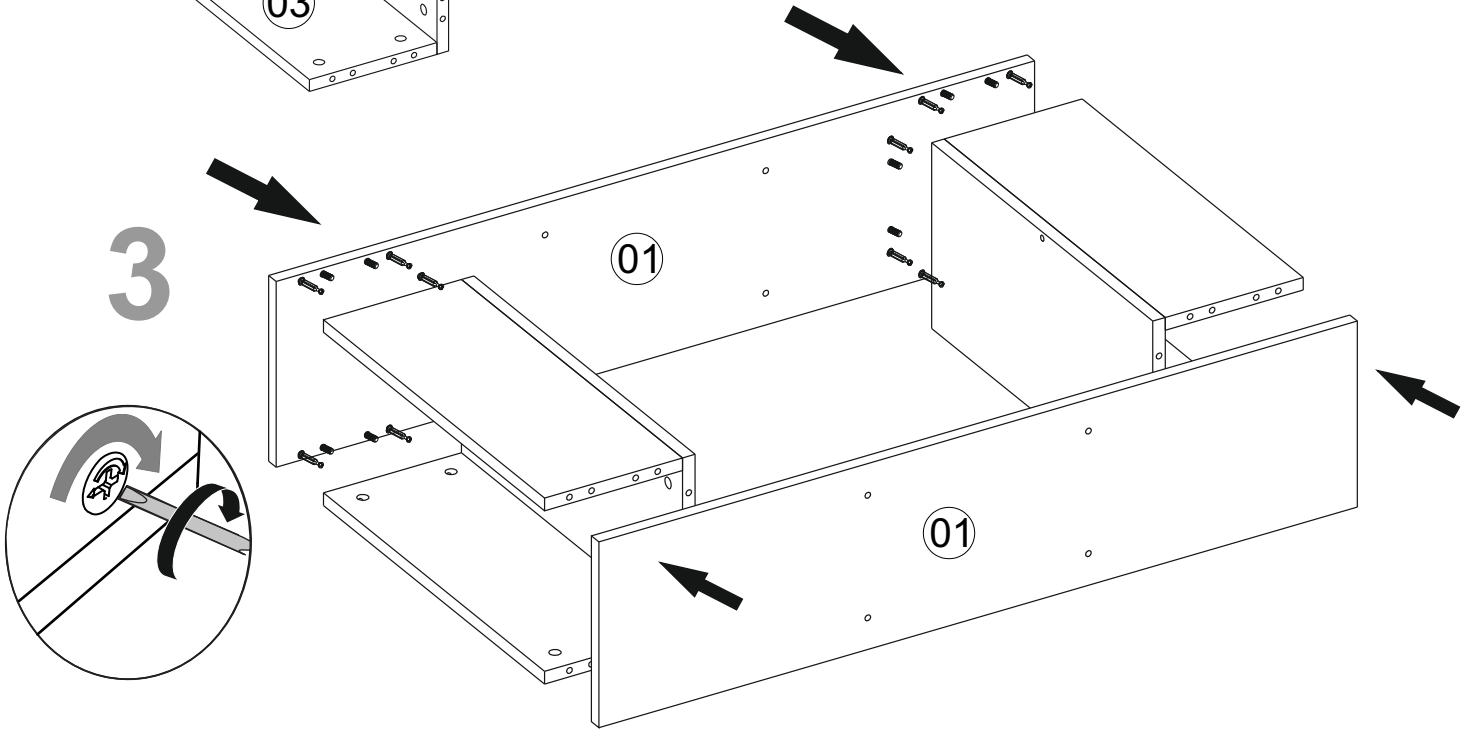
1



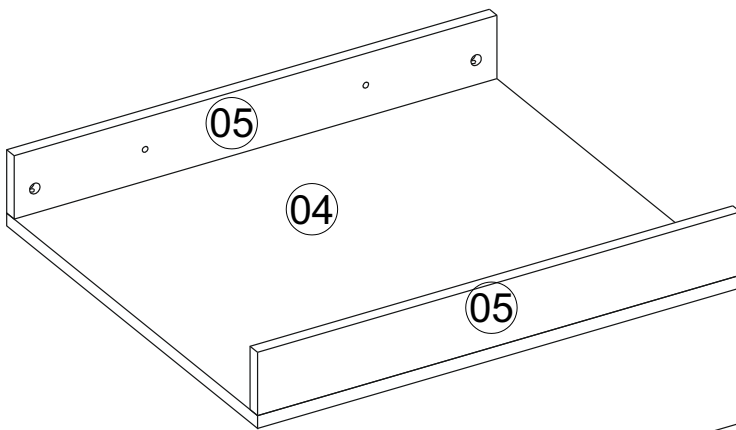
2



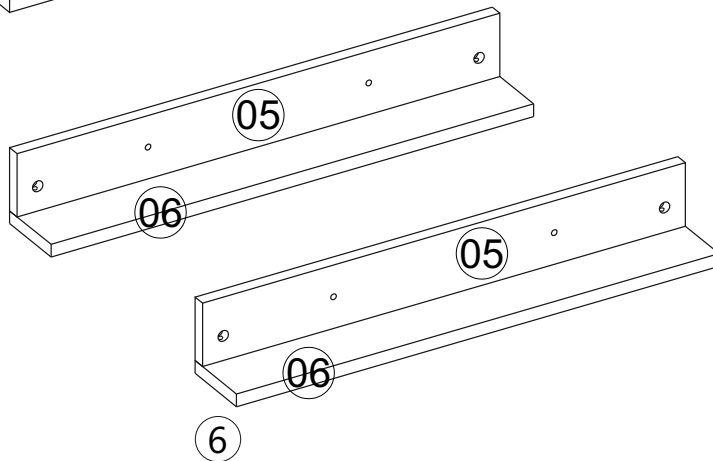
3



4

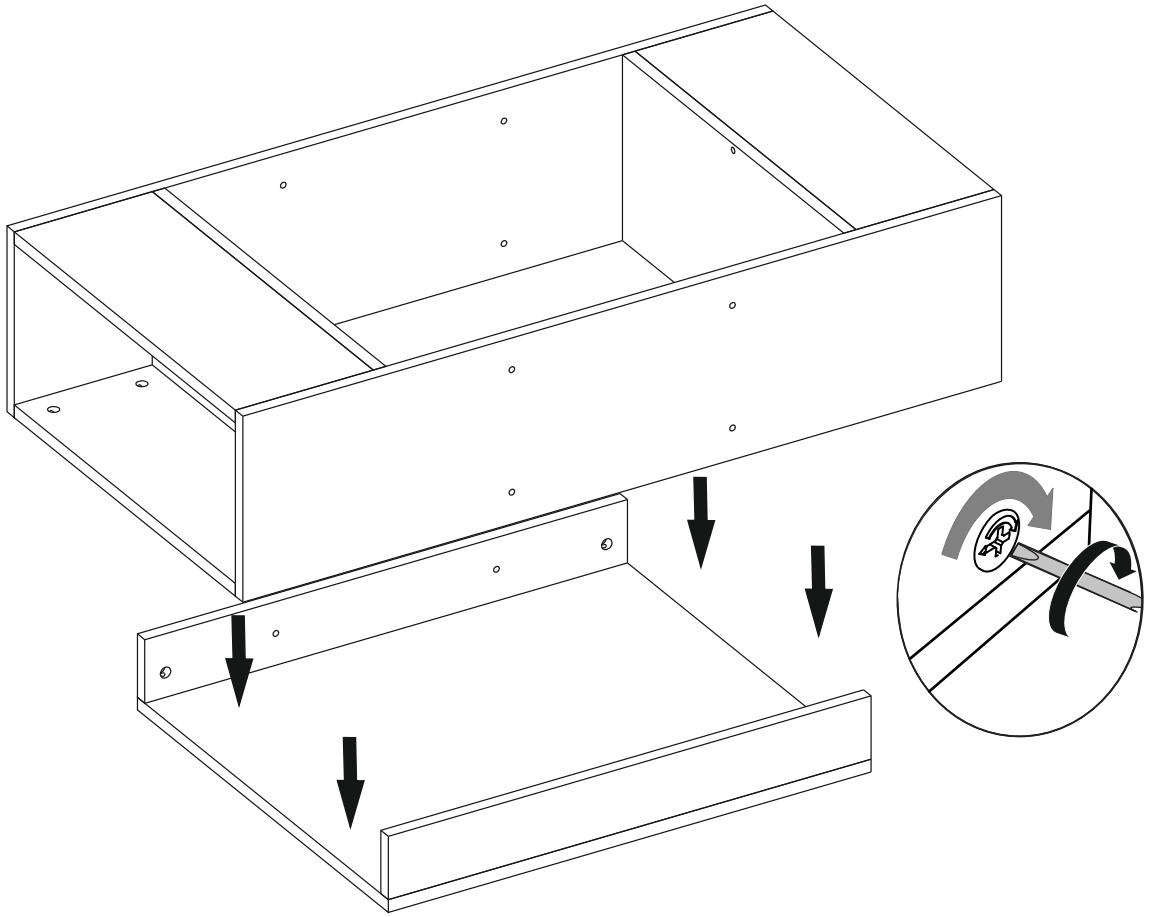


5



6

6



7

