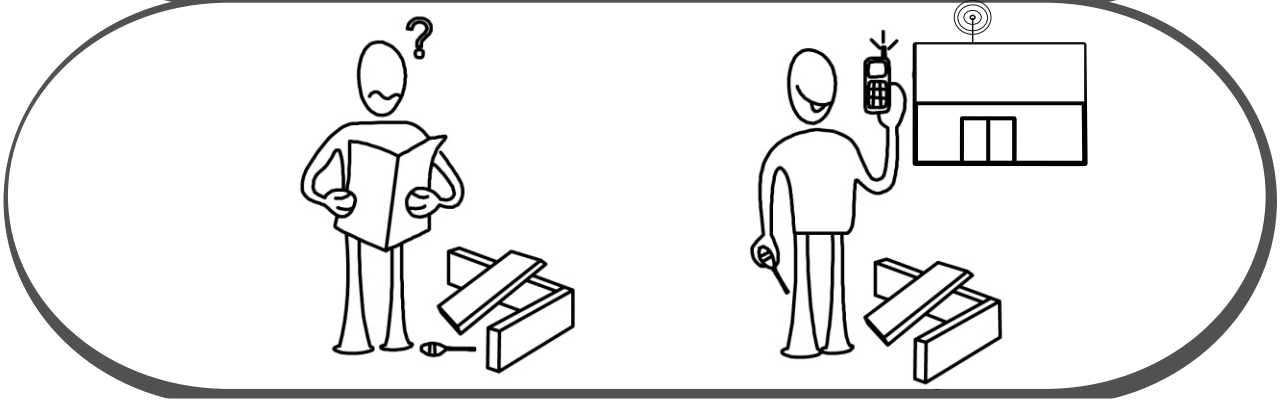
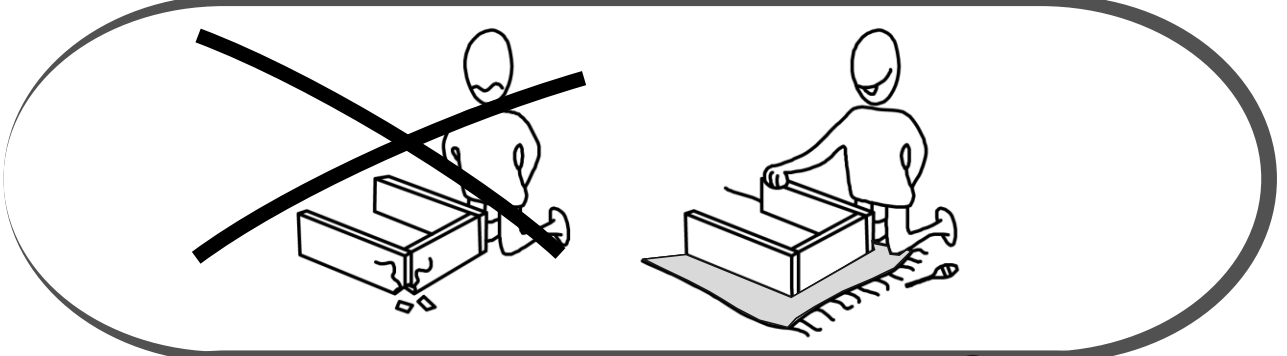
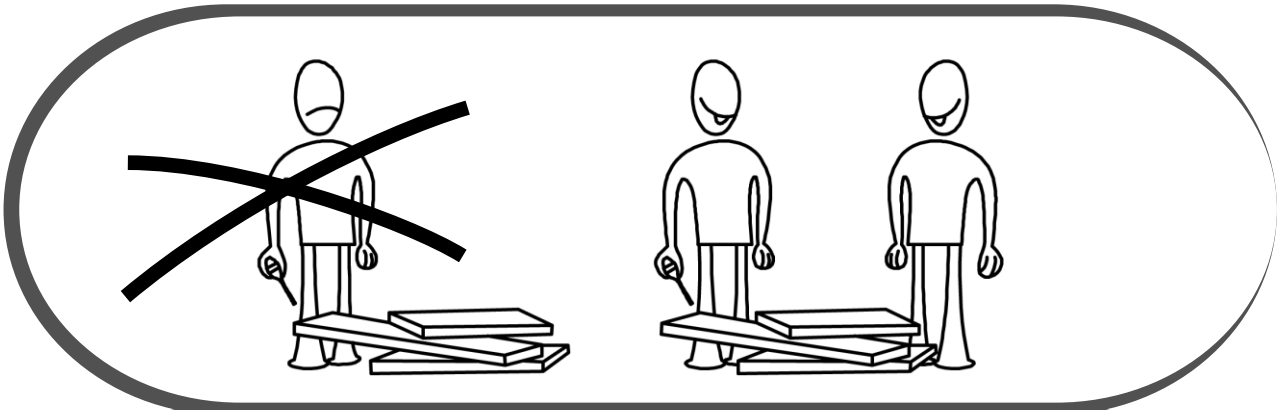
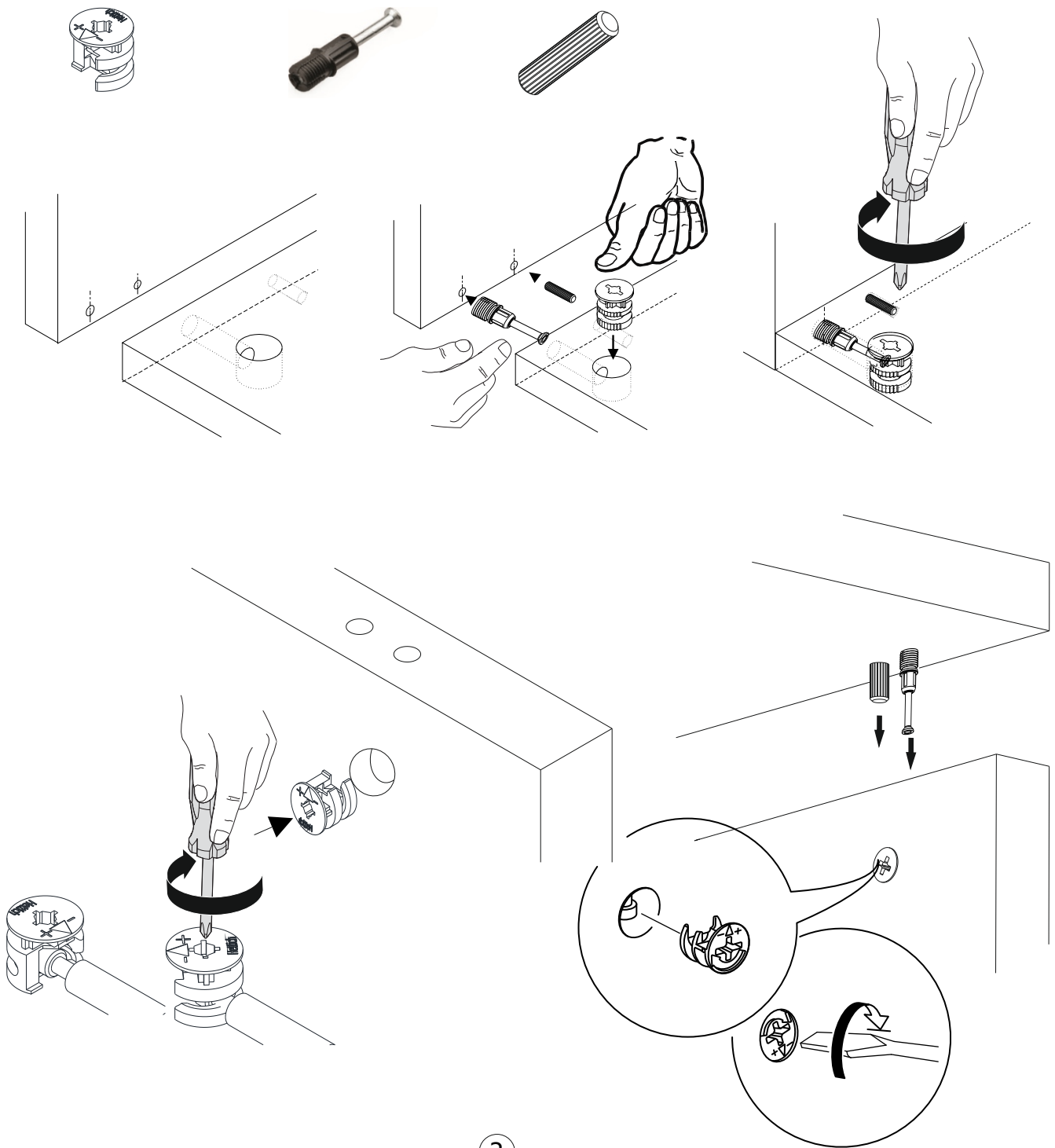
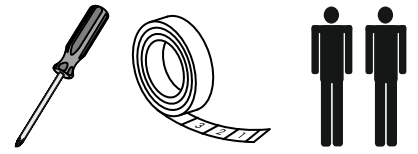


GP042-0039,1



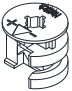



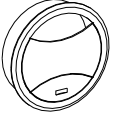
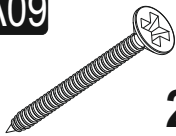
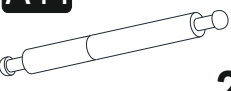





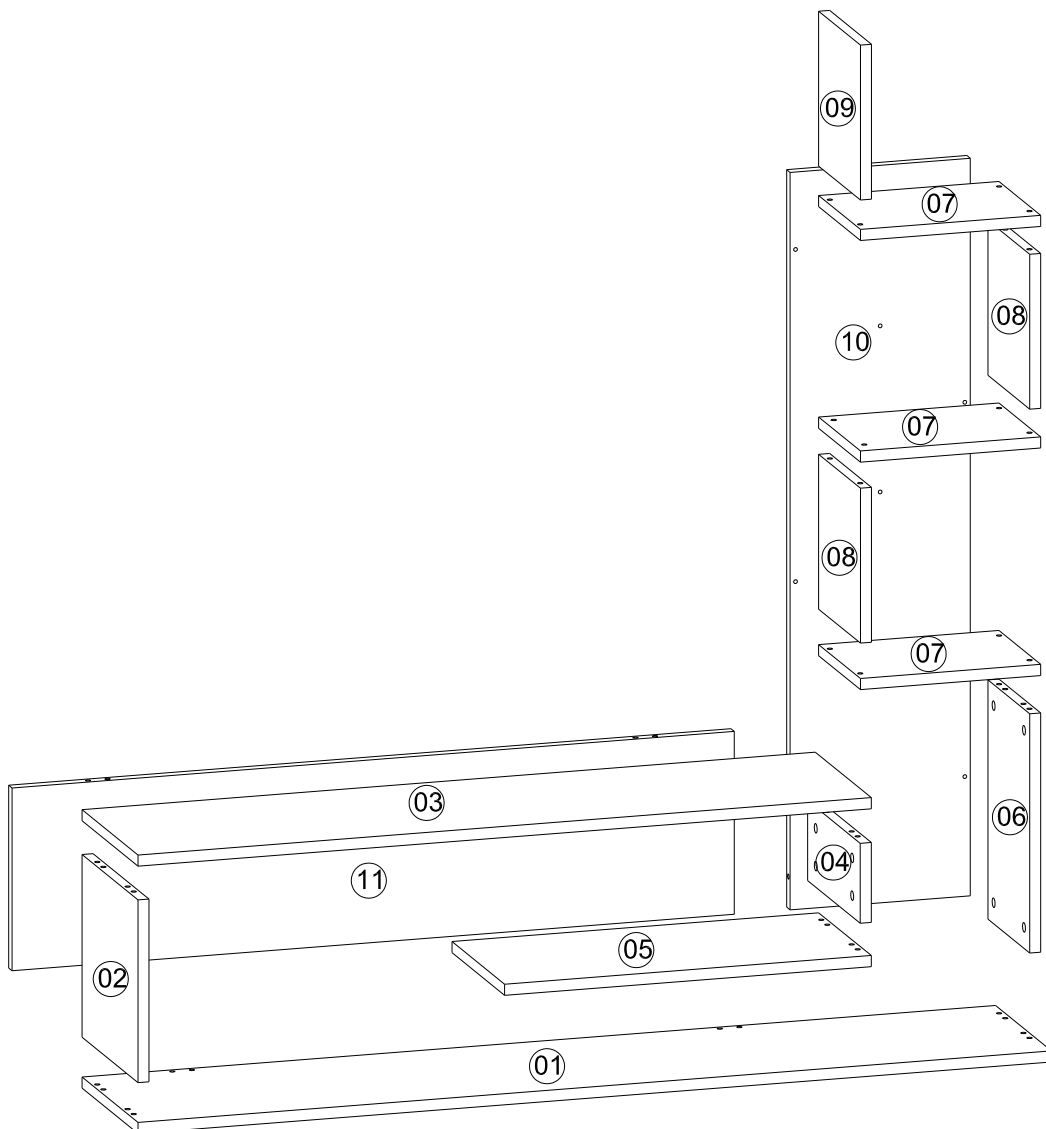


The necessary tools (not included)

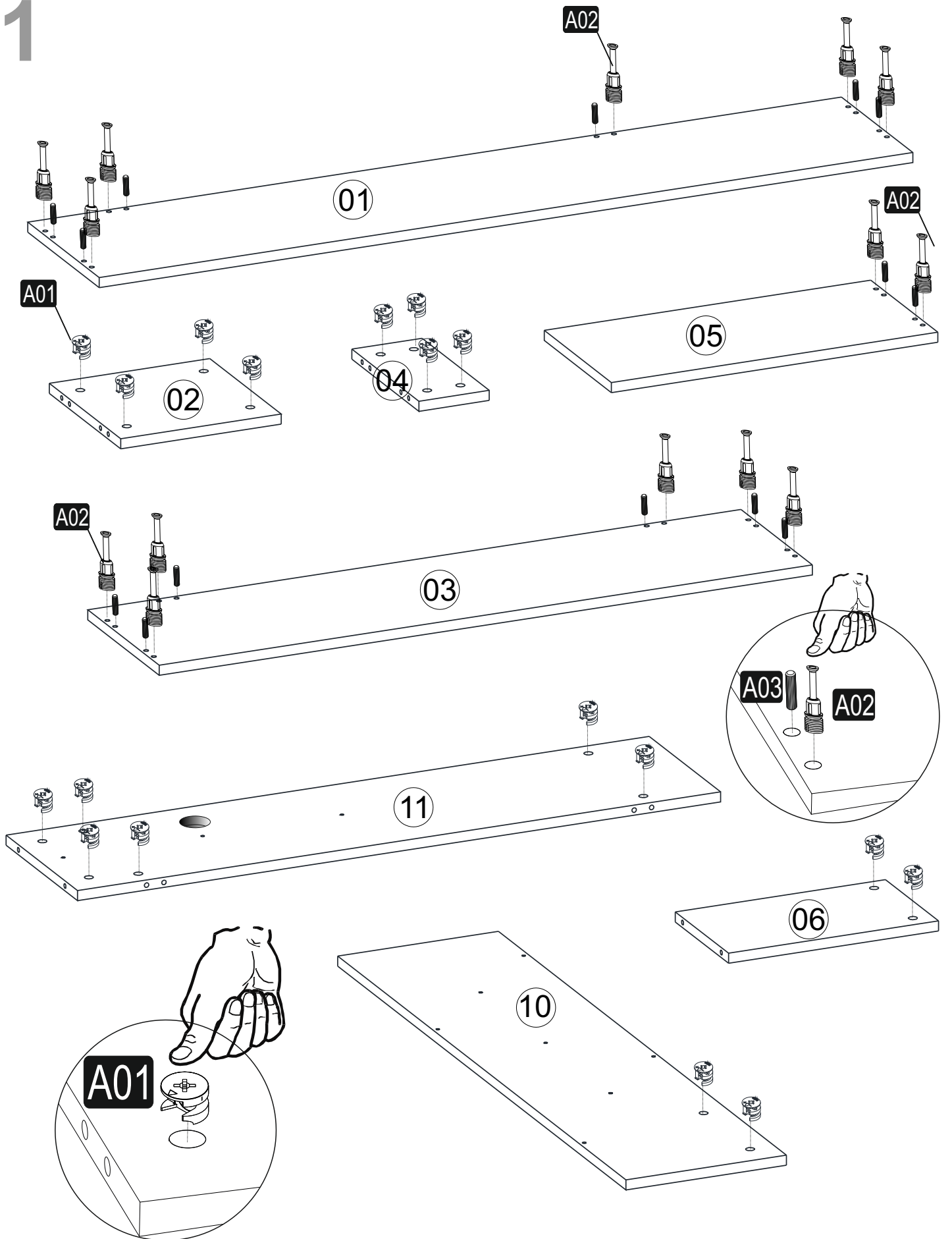
ACCESSORY LIST

A01  18x	A02  14x	A03  14x	A04  A 10x D 8x	A33  1x
A09 4x50  22x	A44  2x	A16  A 12x D 10x		

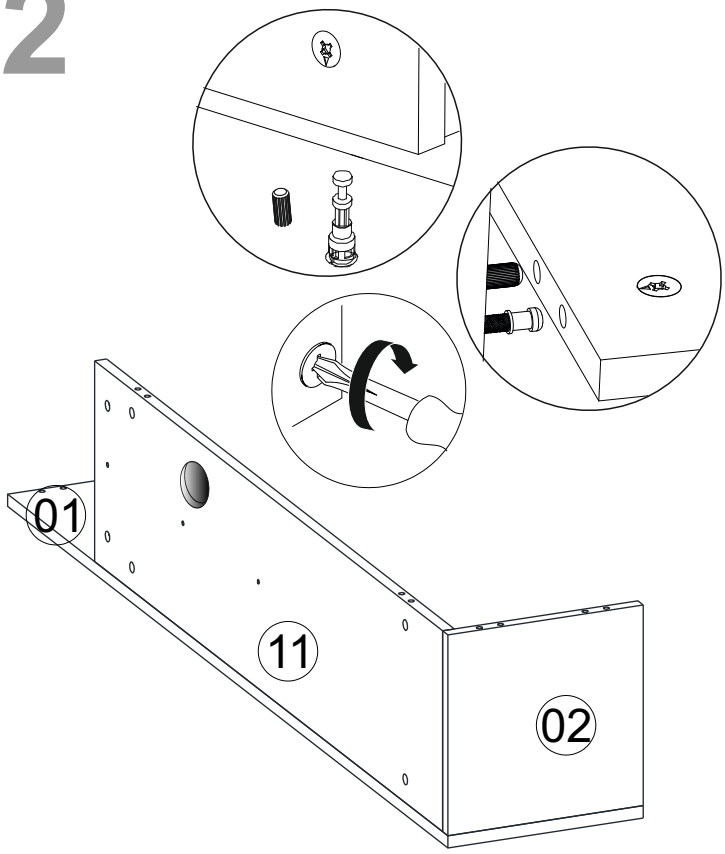
GENERAL VIEW



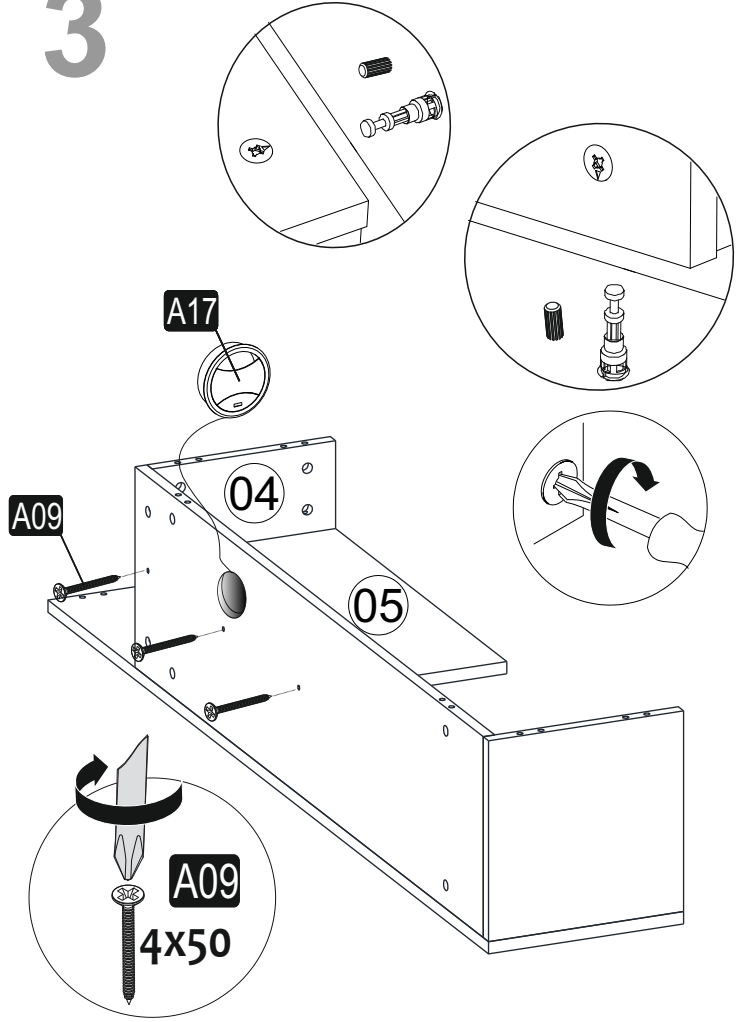
1



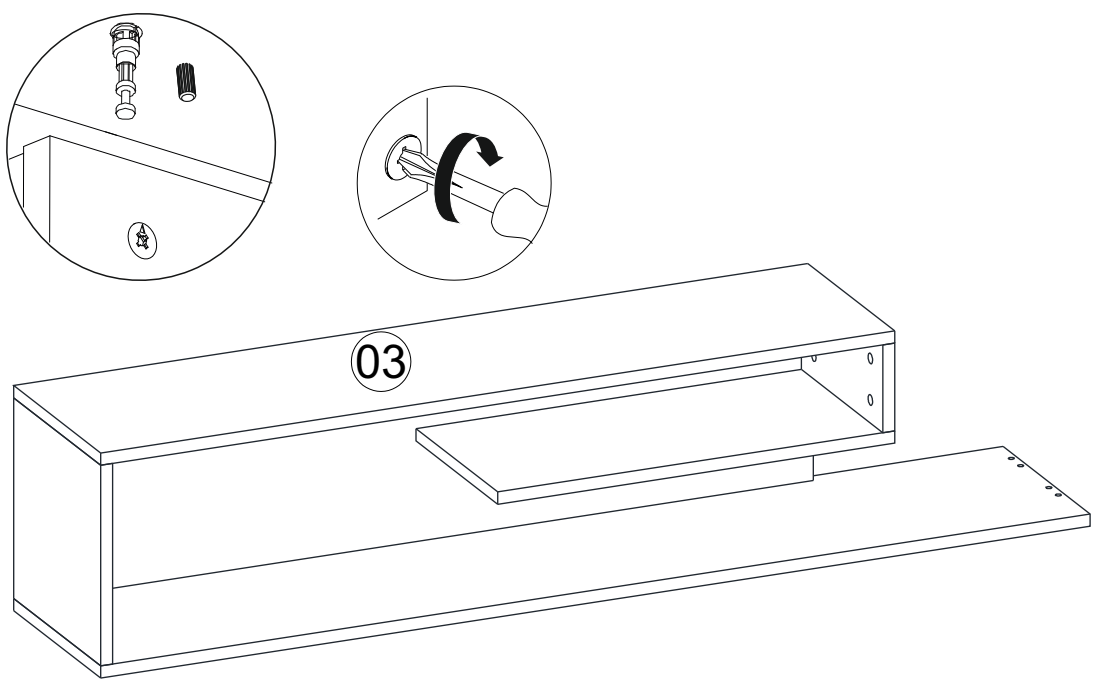
2



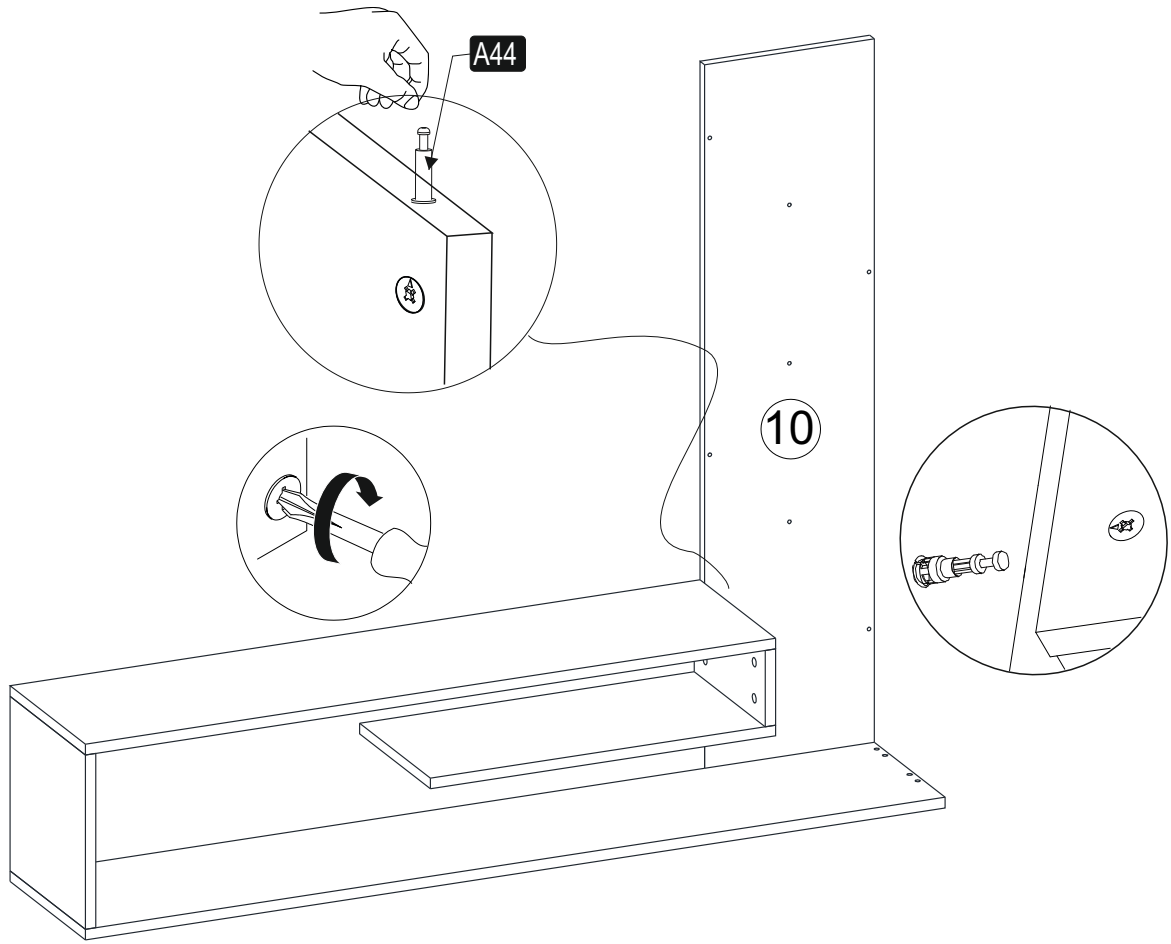
3



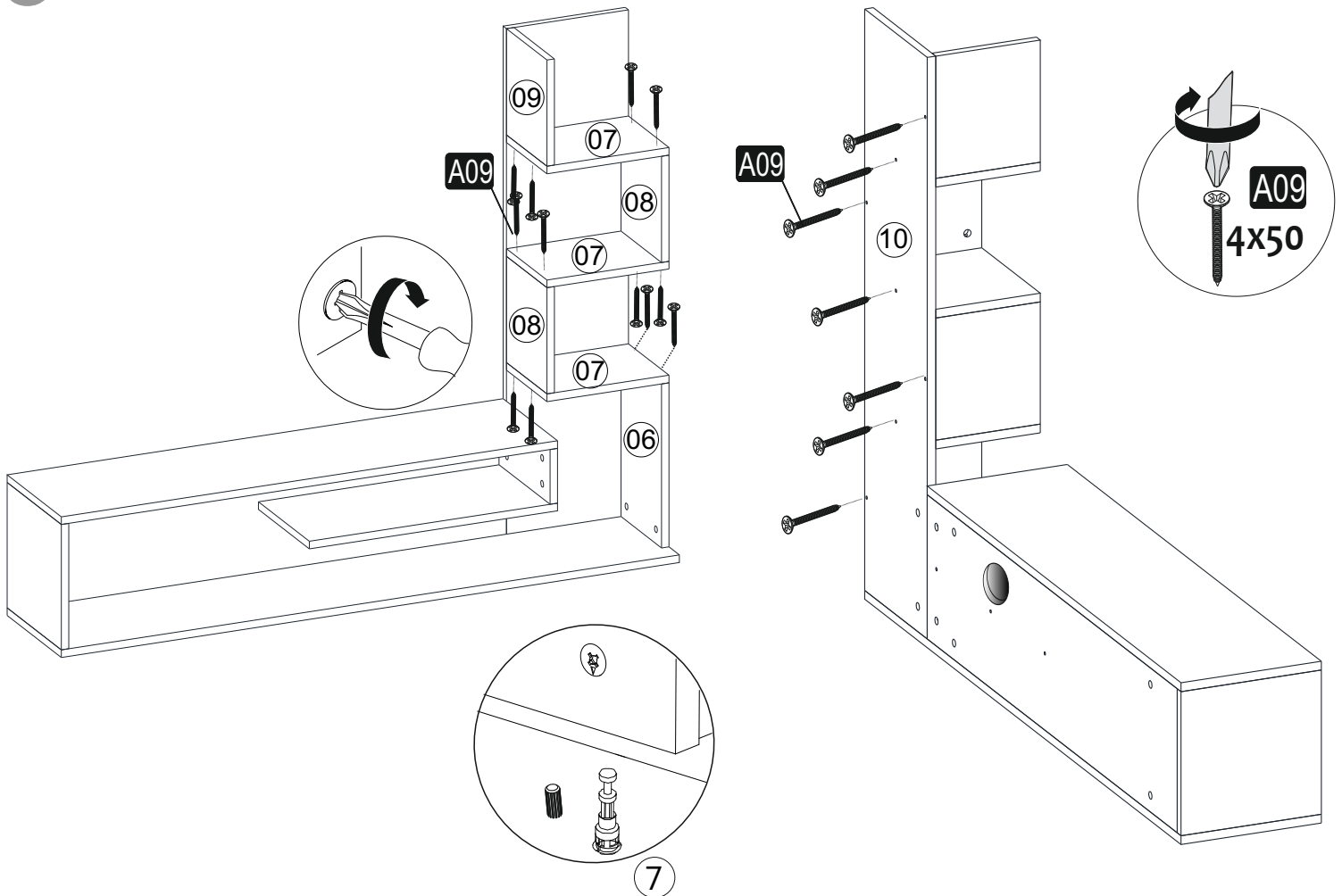
4



5



6



7

