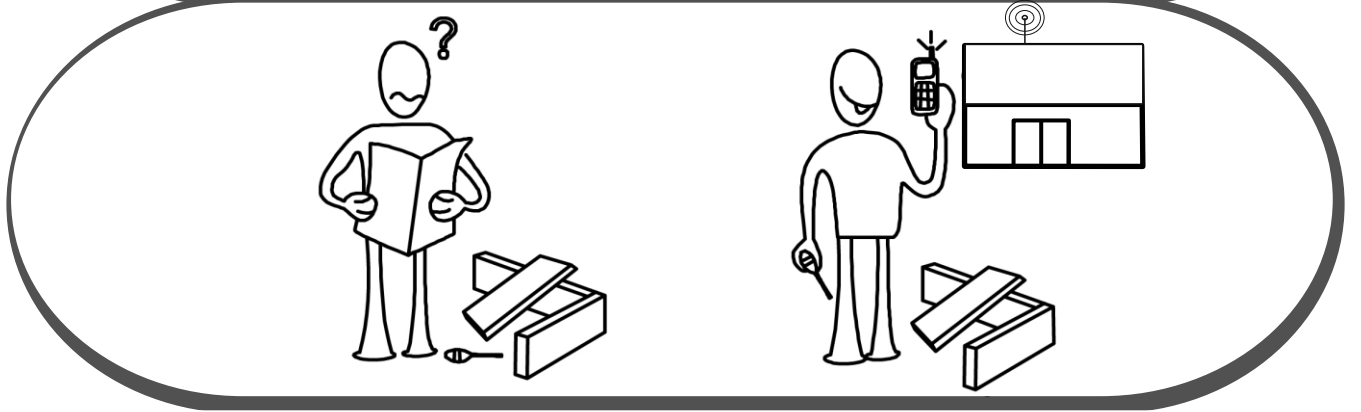
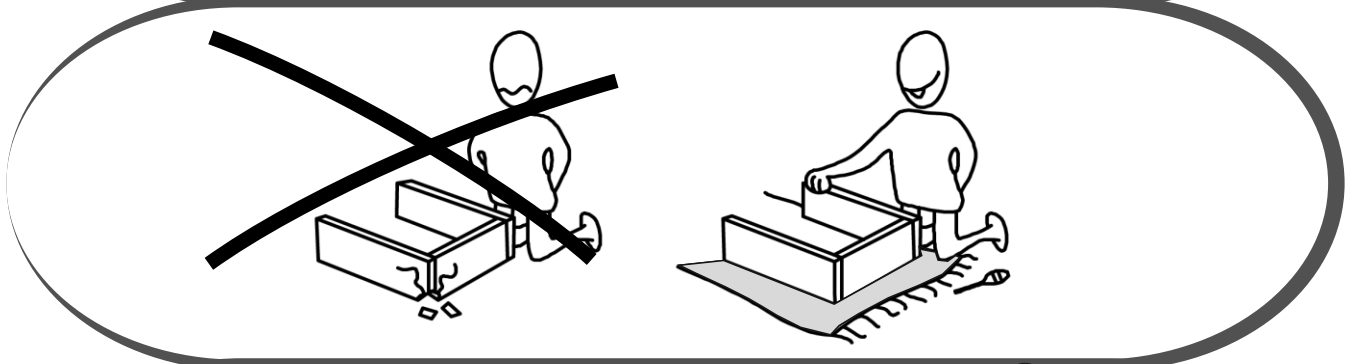
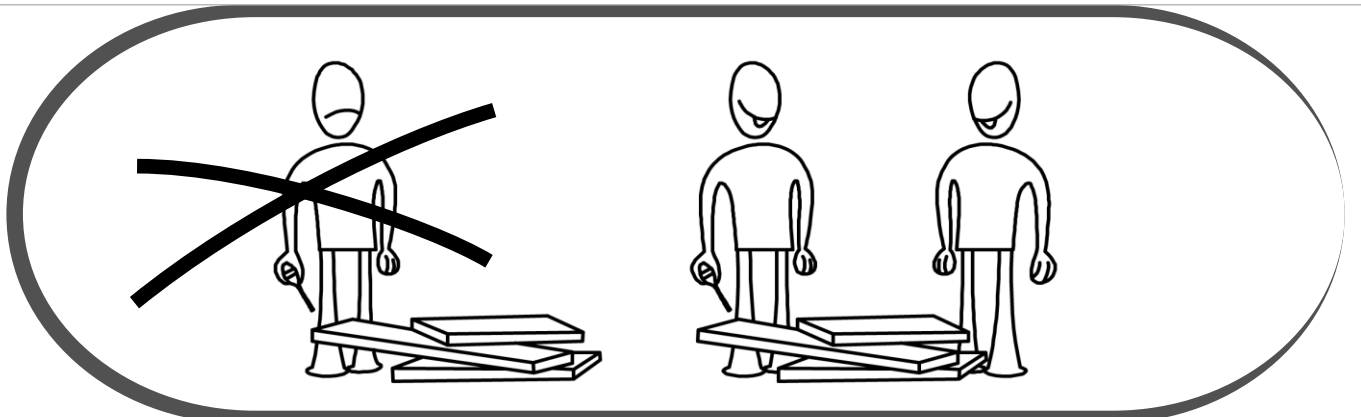
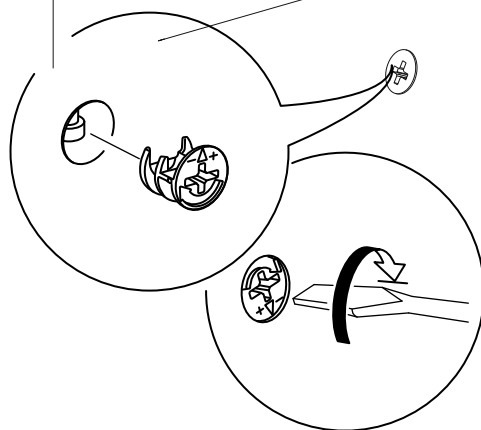
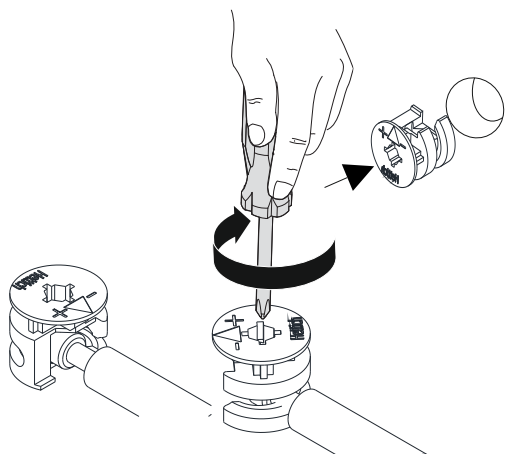
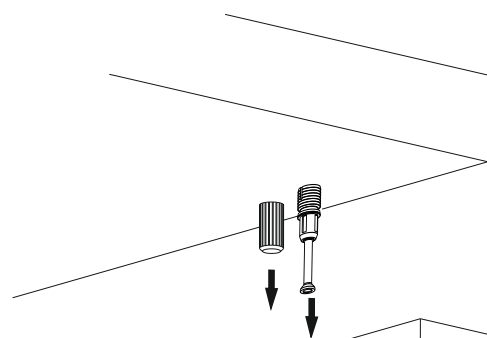
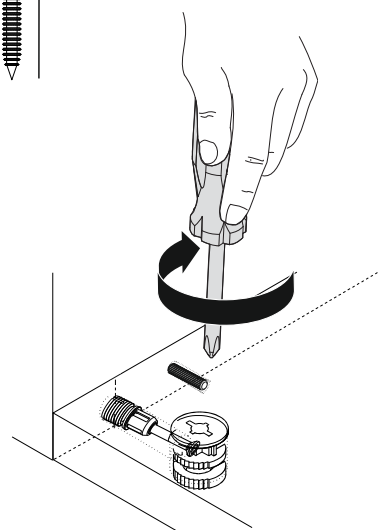
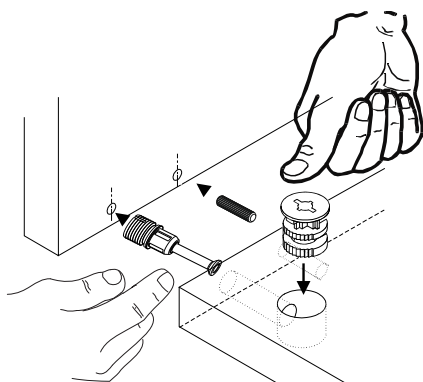
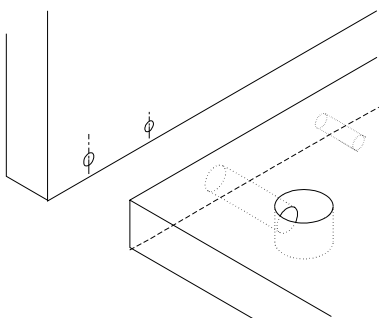
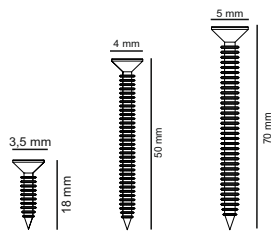
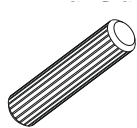
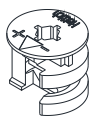
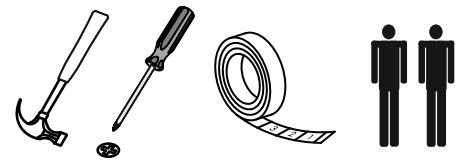


GP042-0023,1




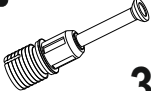




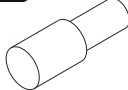



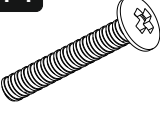




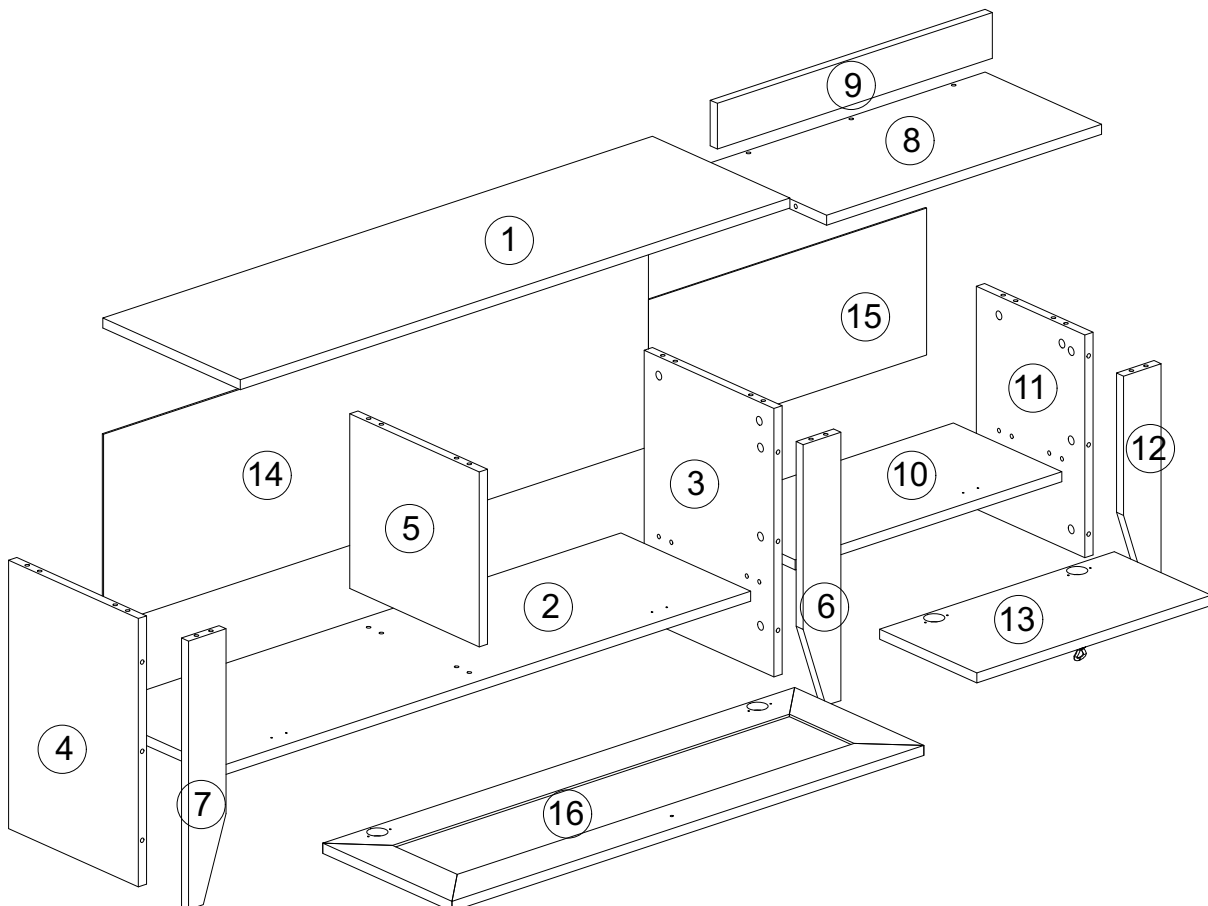


The necessary tools (not included)

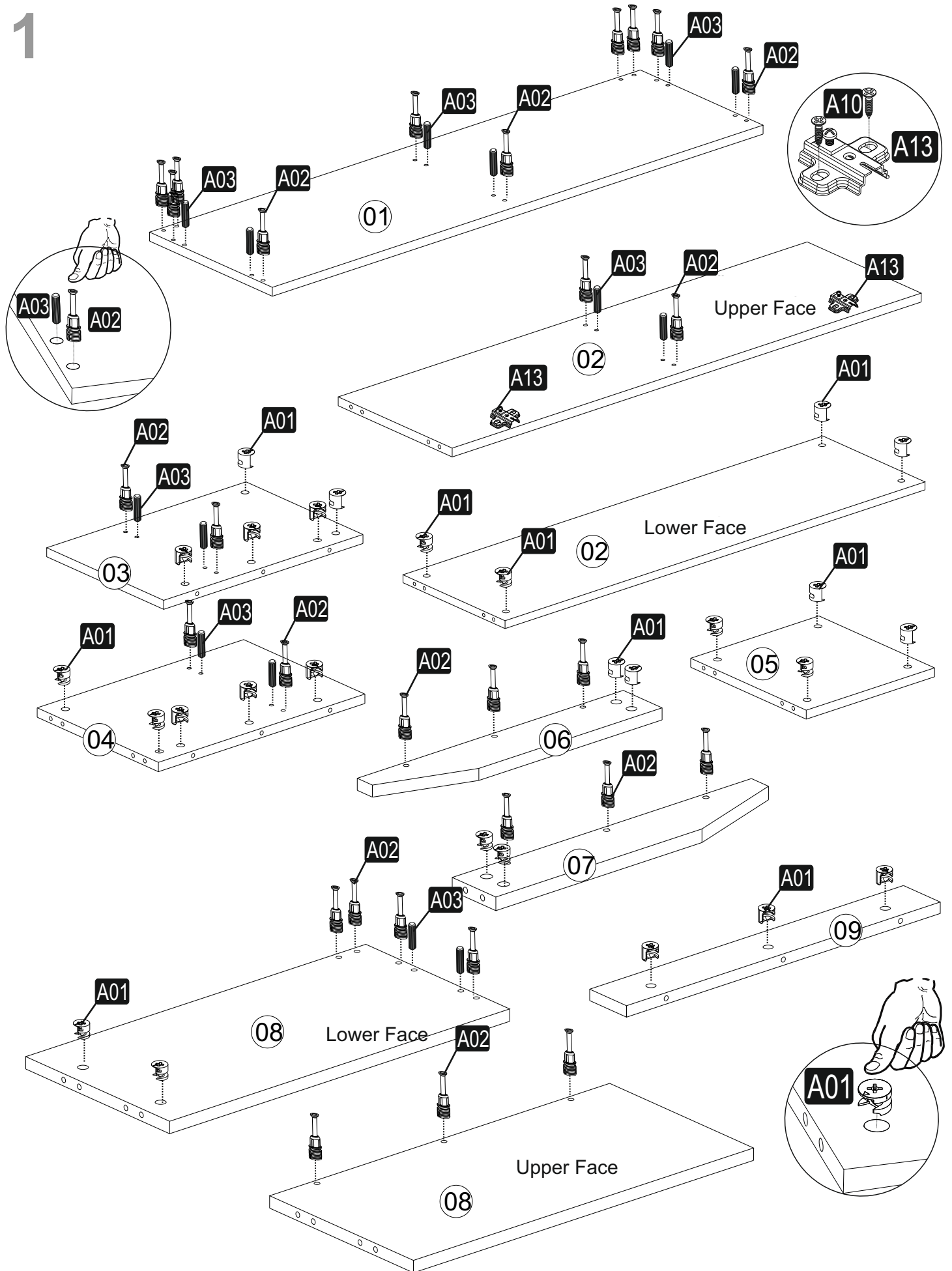
ACCESSORY LIST

A01  38x	A02  38x	A03  20x	A04  A 38x	A12 DM  4x
A13 MA  4x	A23  1x	A88 Kulp  2x	A28  35x	A10 3,5x18 YHB  16x
A14 M4x22  2x				

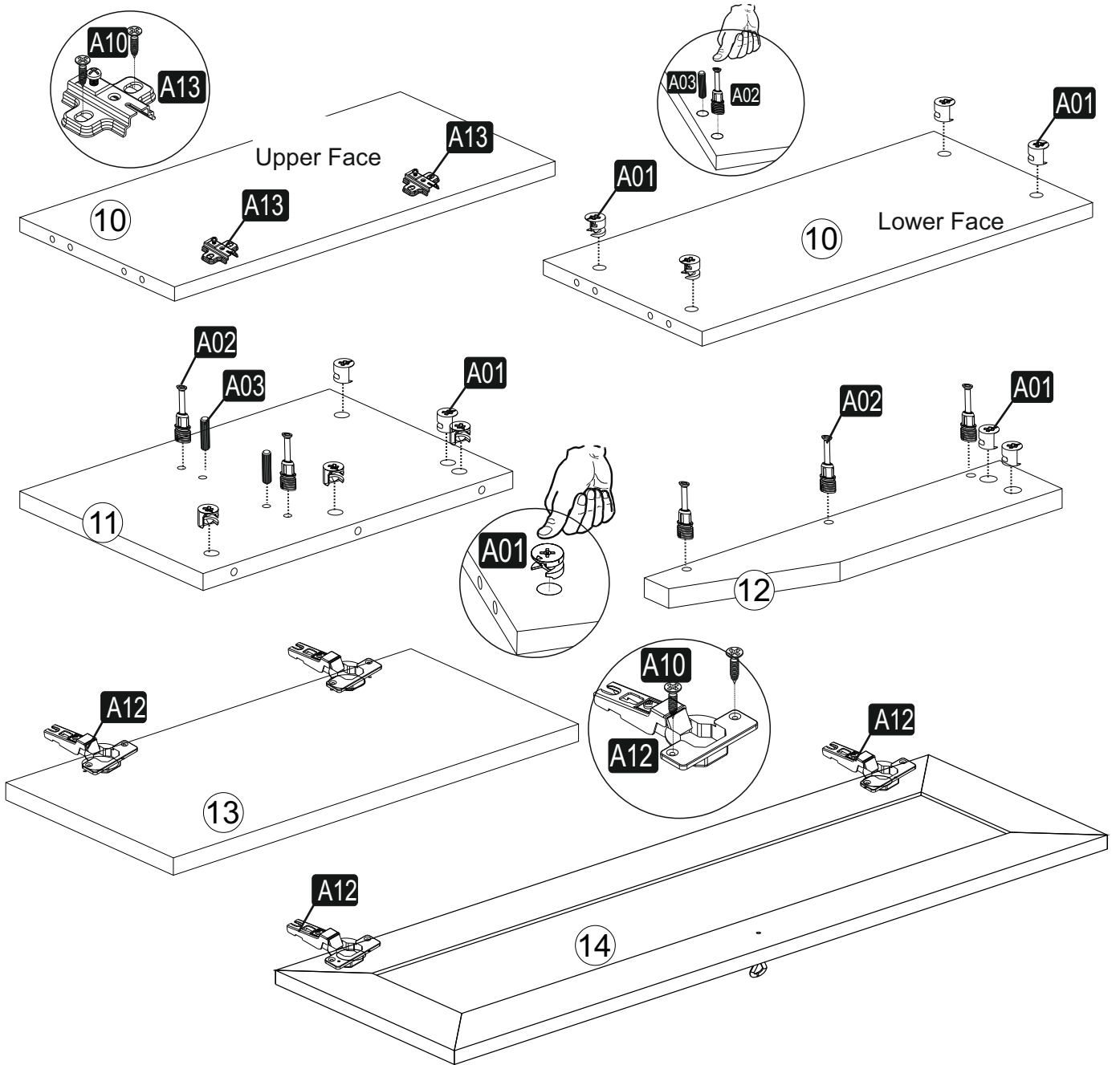
GENERAL VIEW



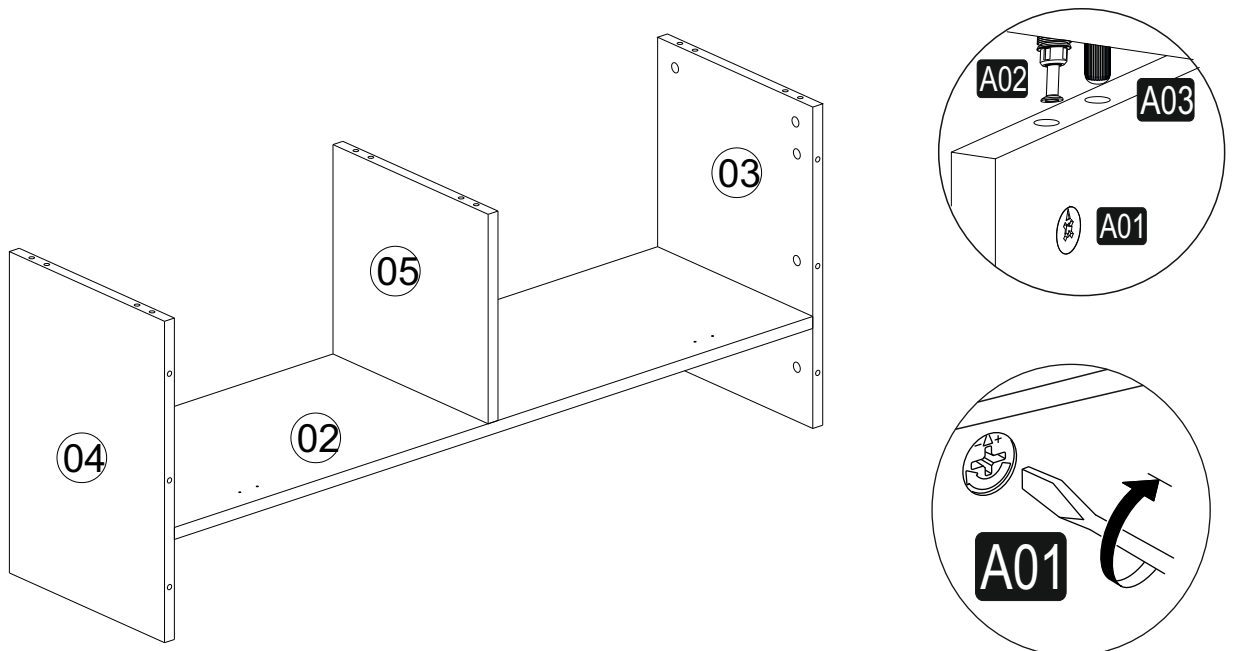
1



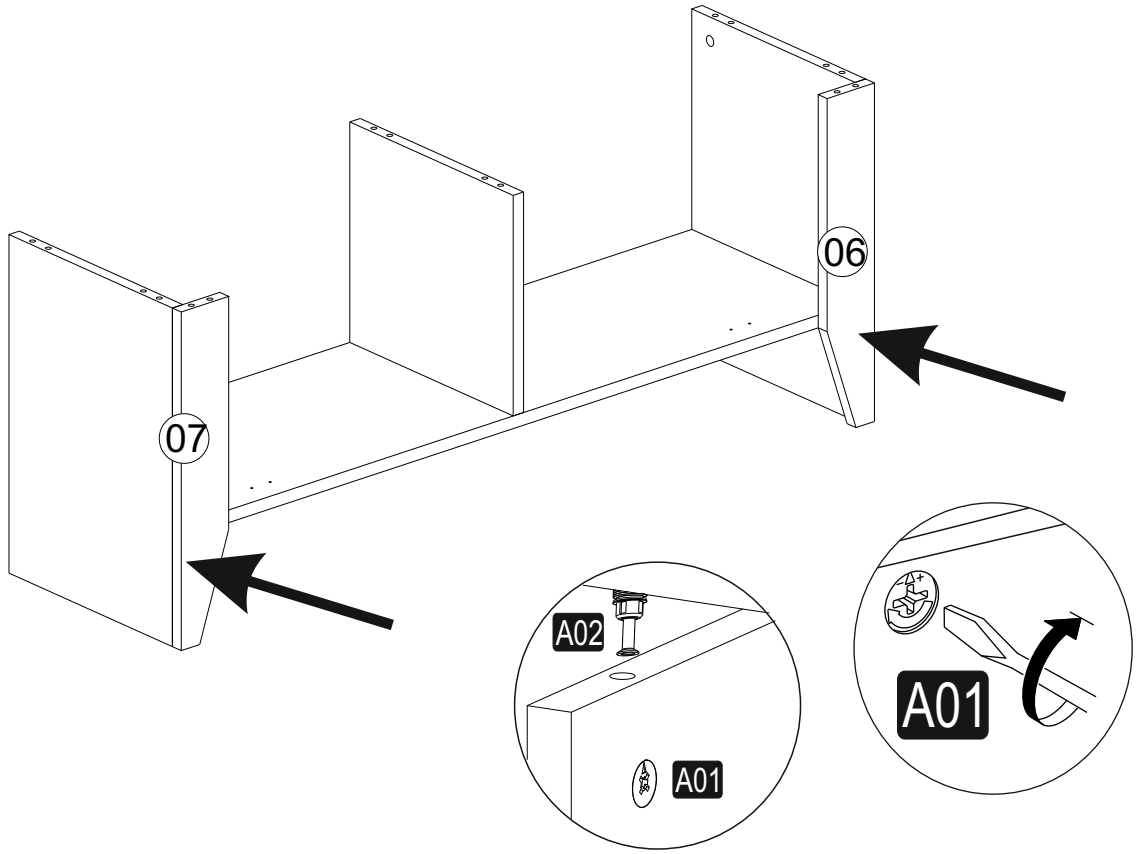
2



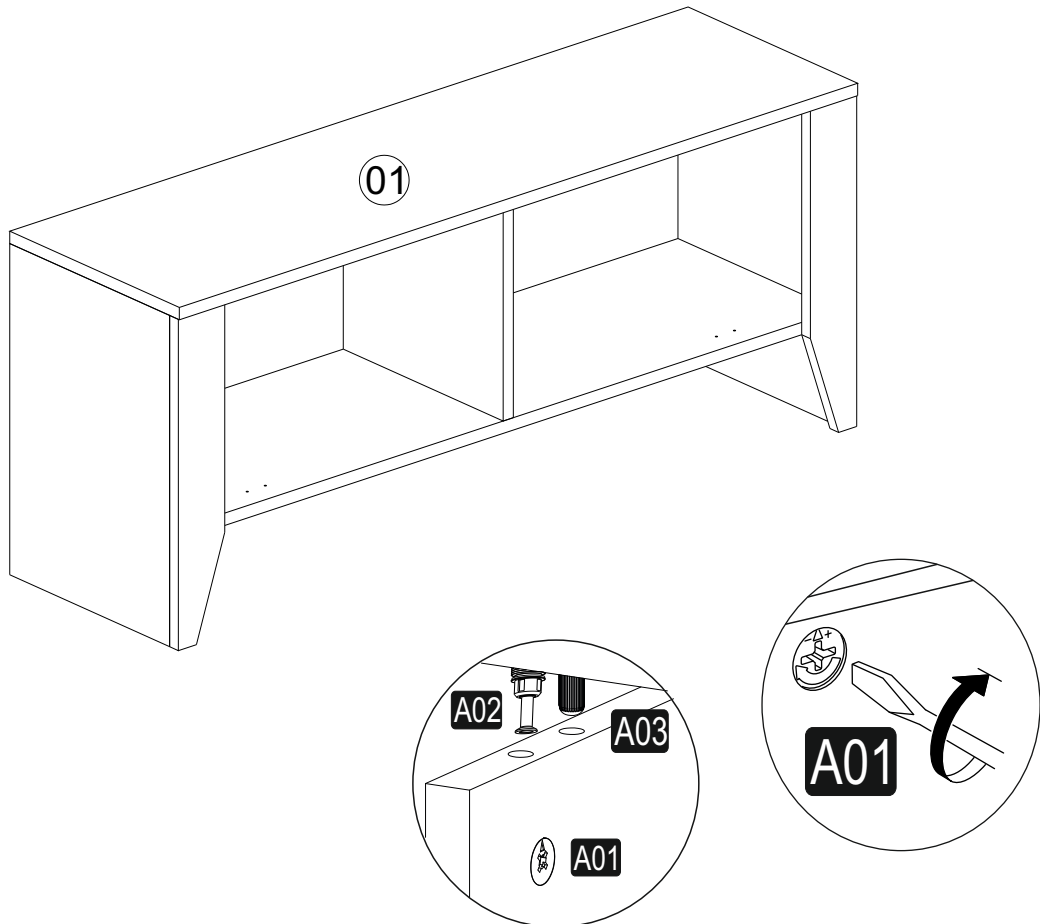
3



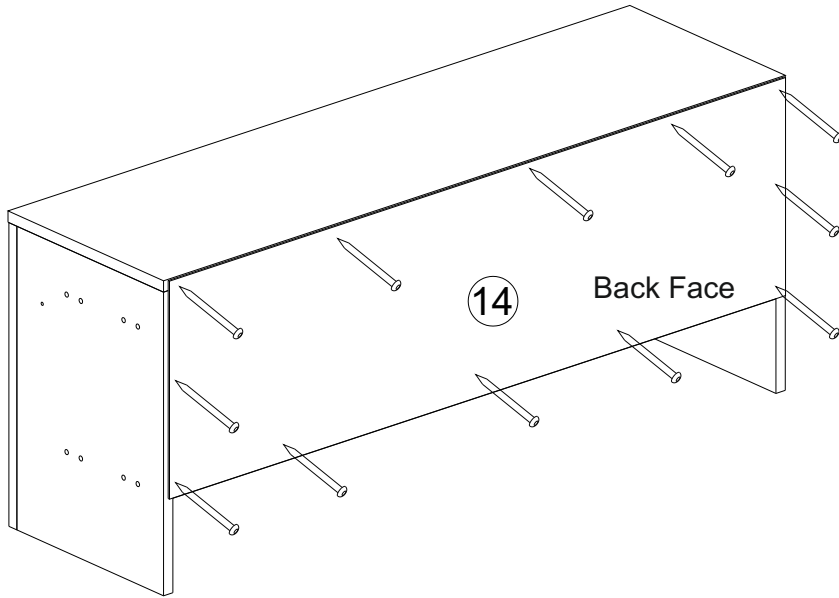
4



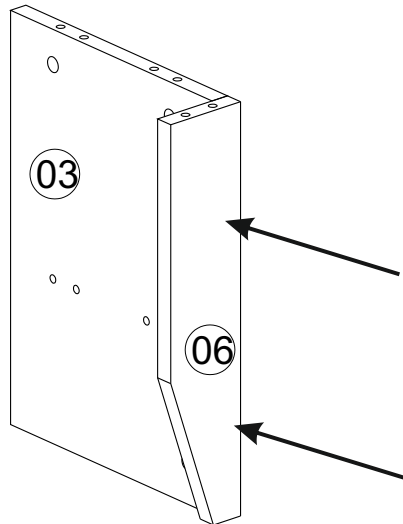
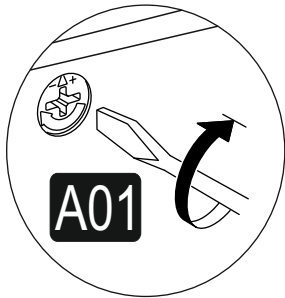
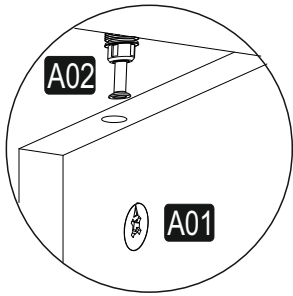
5



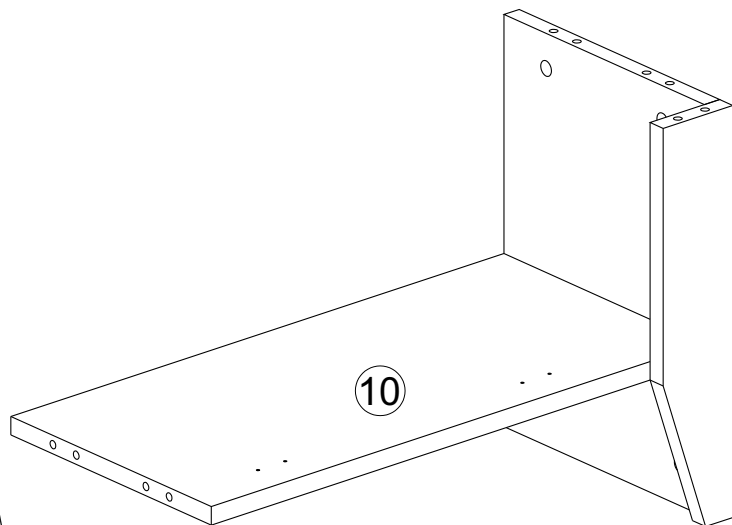
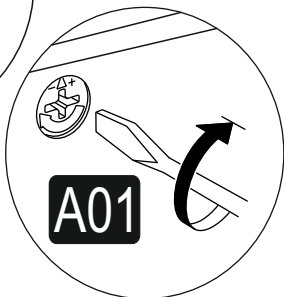
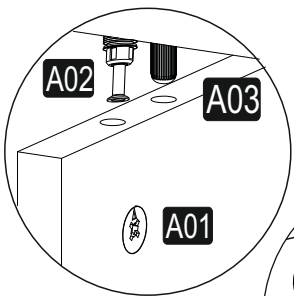
6



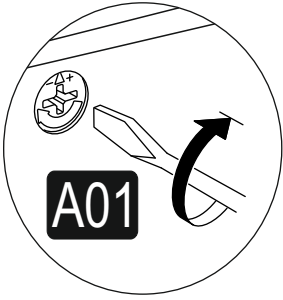
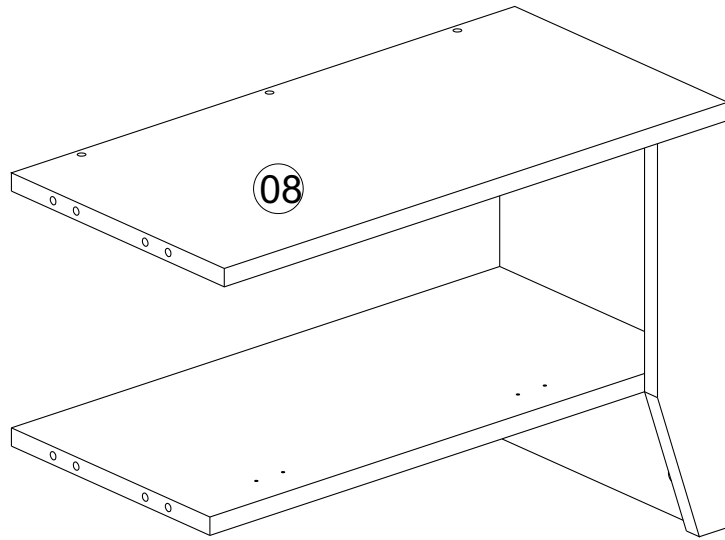
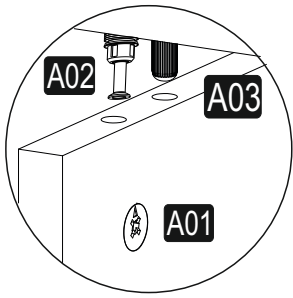
7



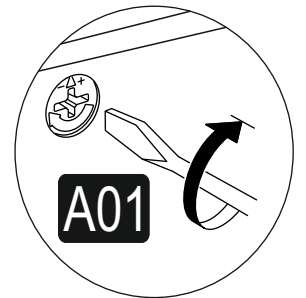
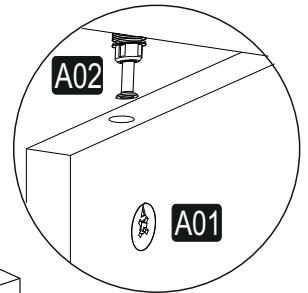
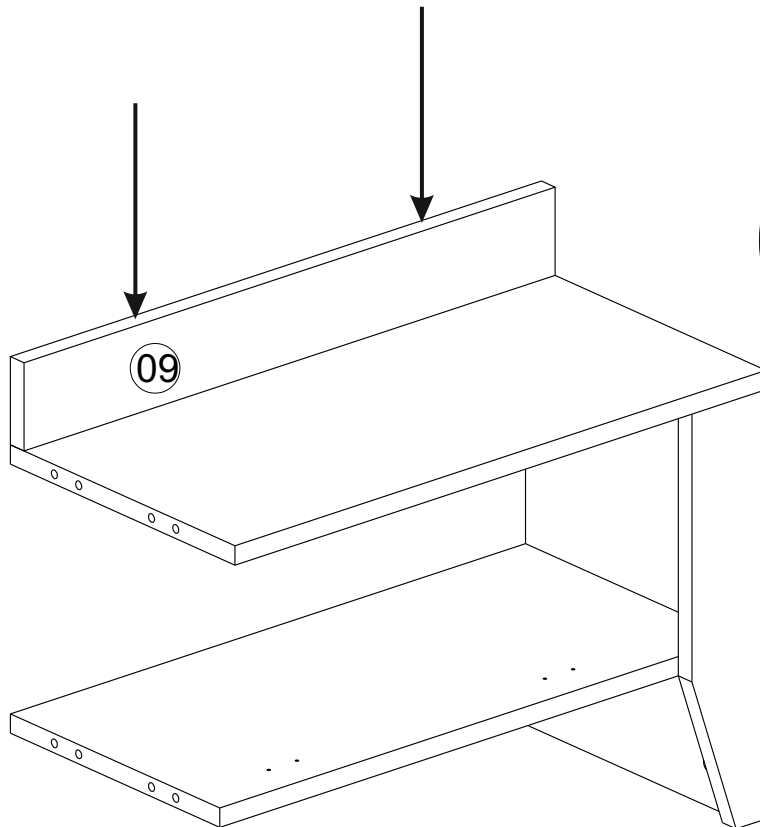
8



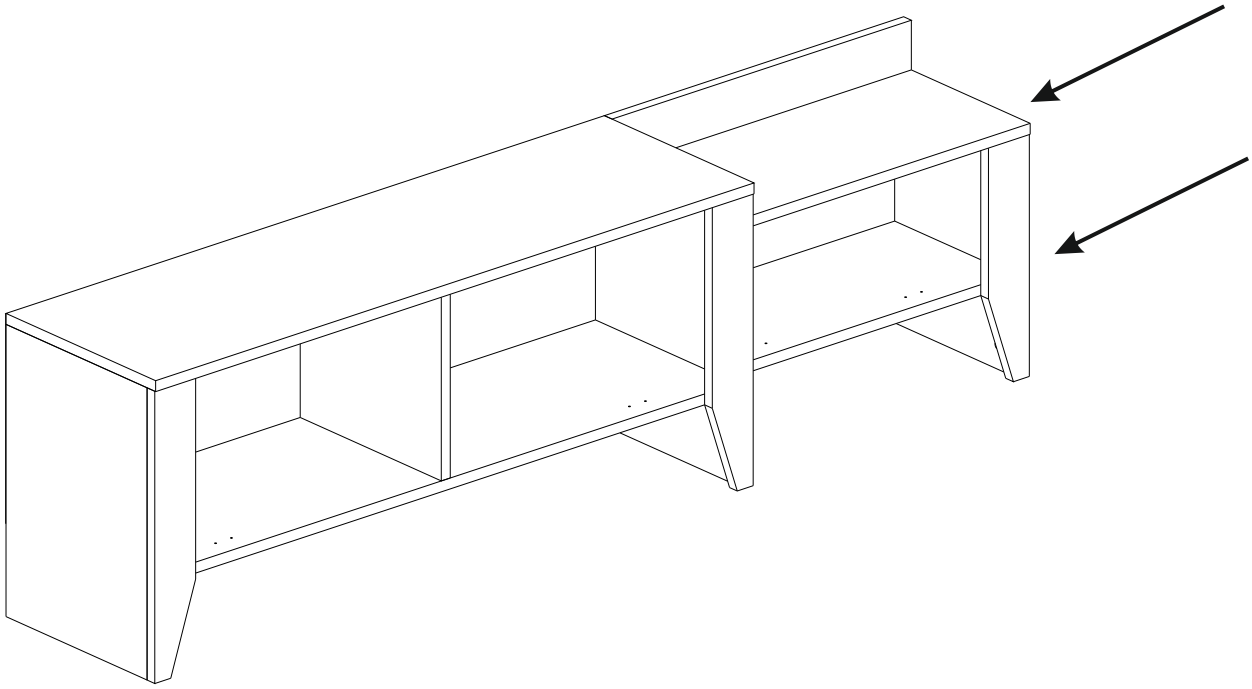
9



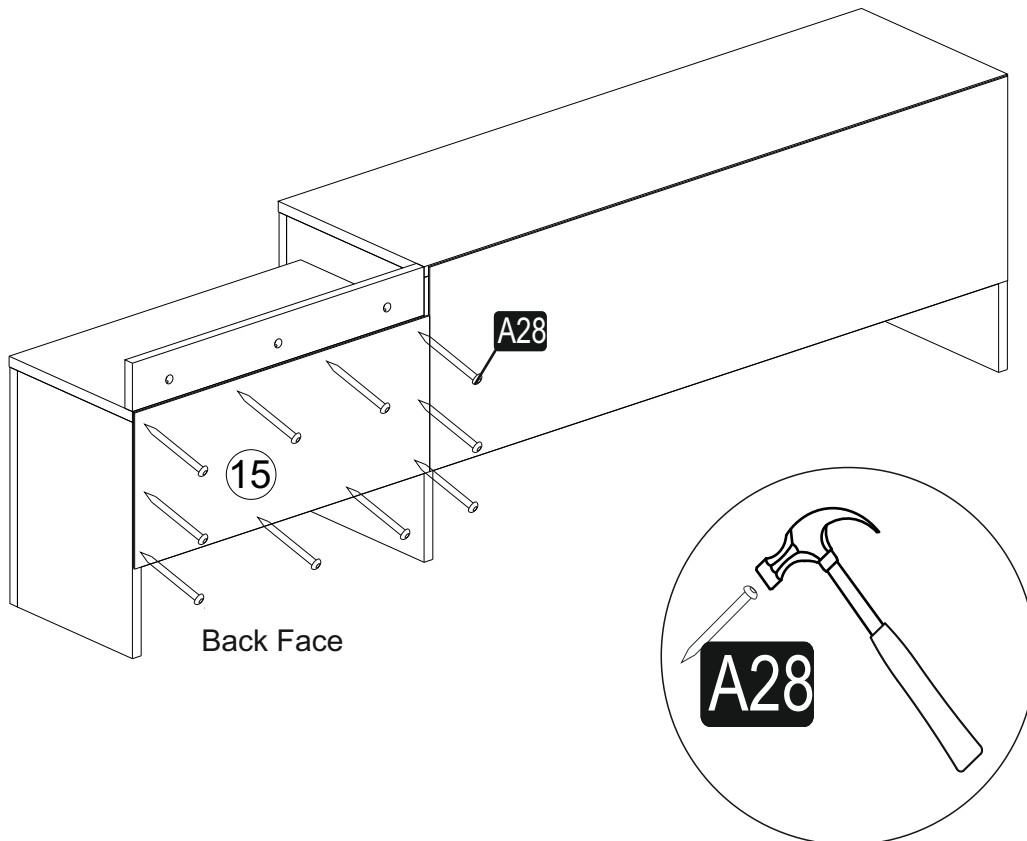
10



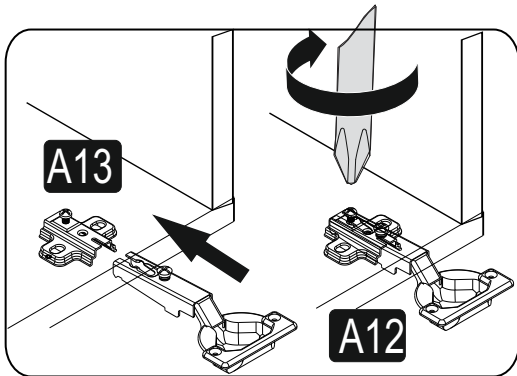
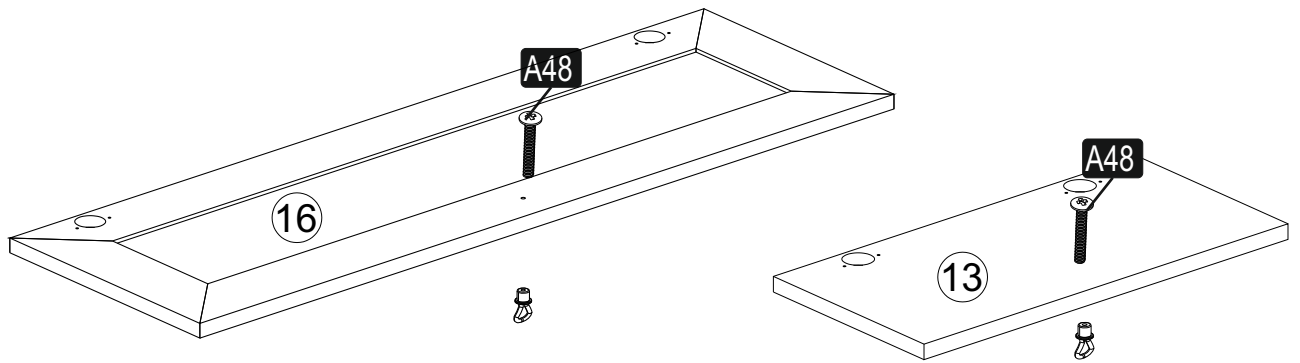
11



12



13



14

