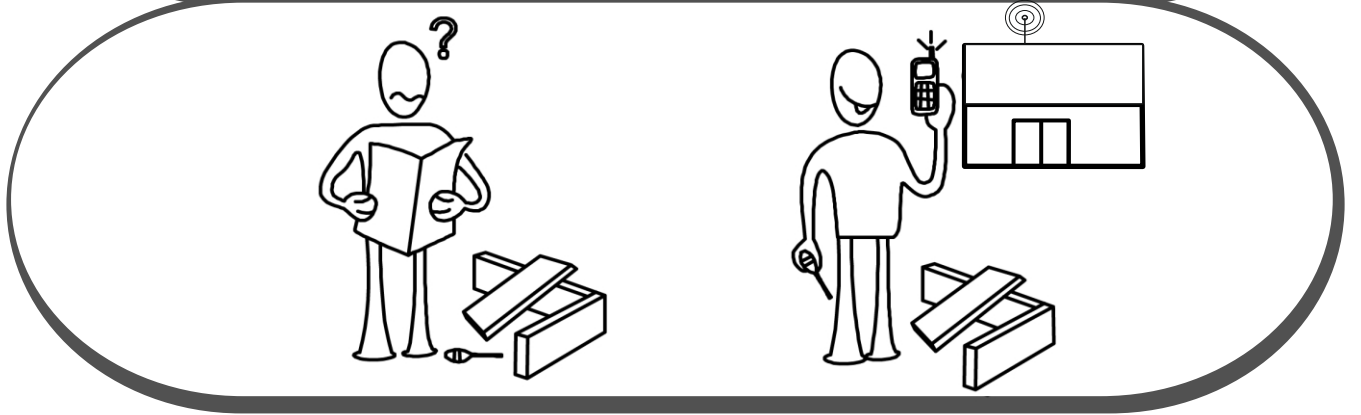
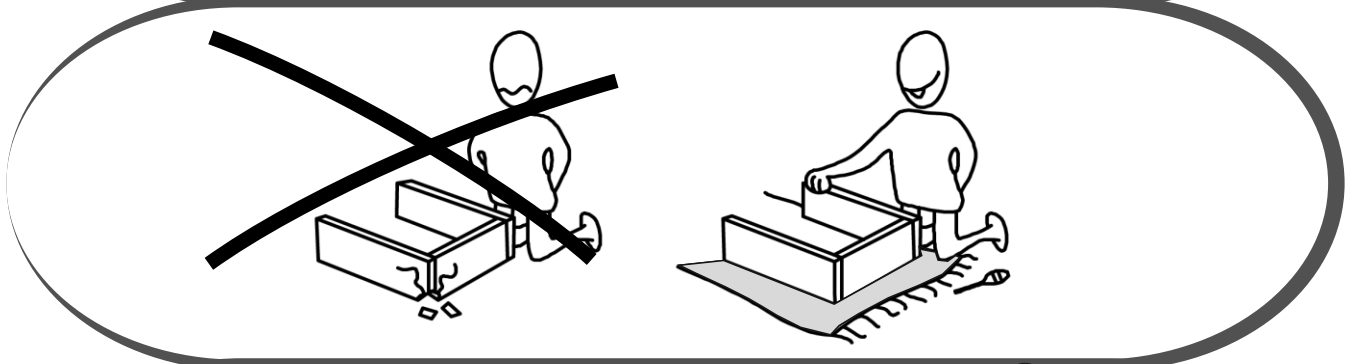
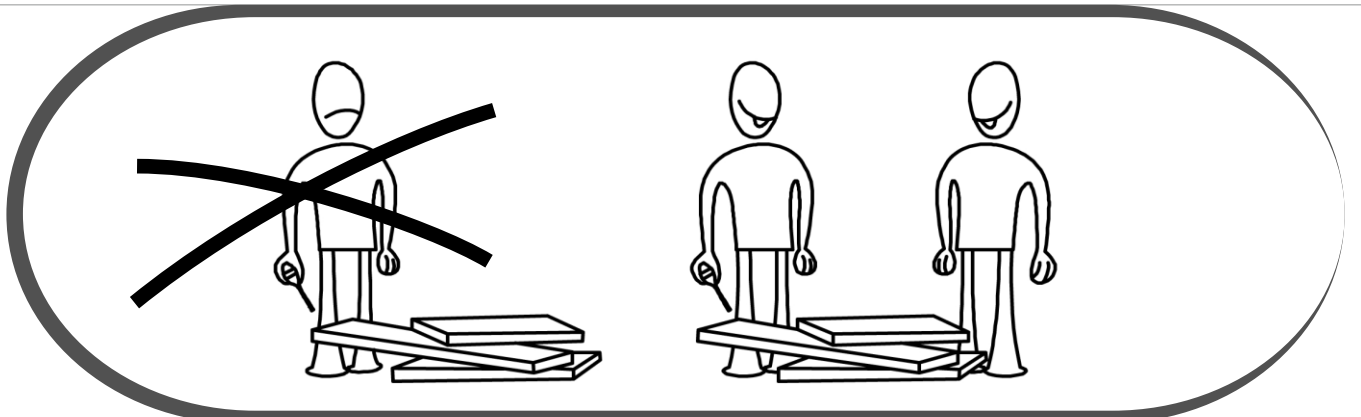
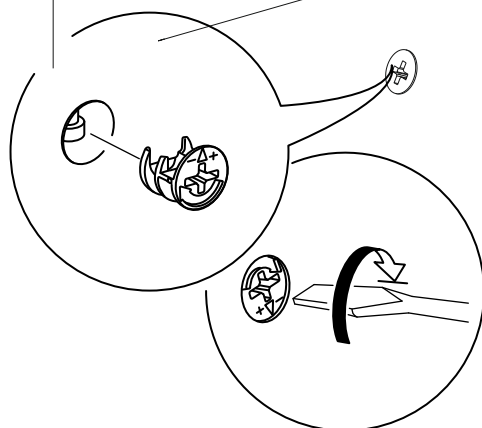
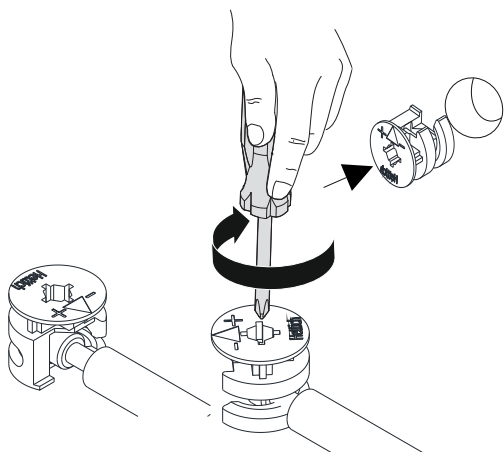
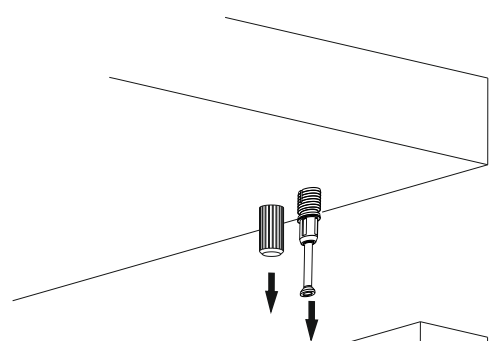
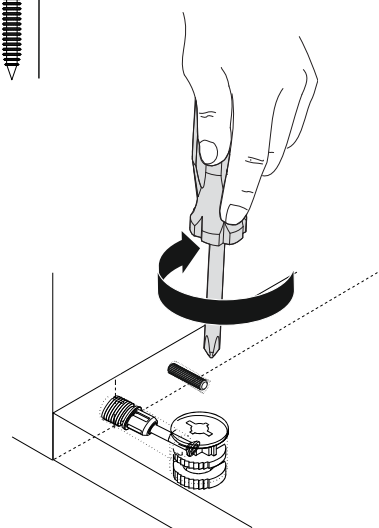
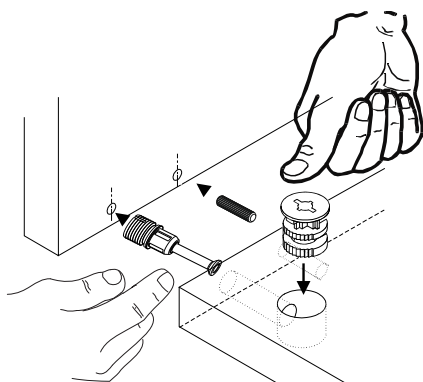
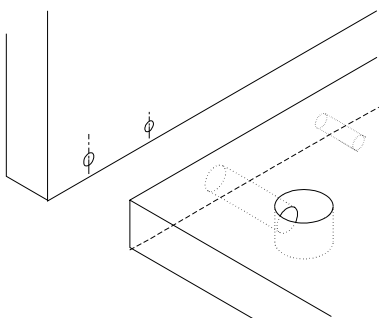
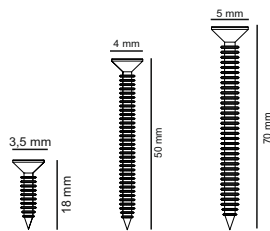
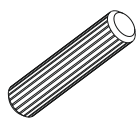
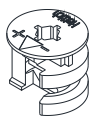
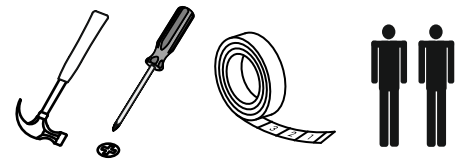


GP042-0022,1




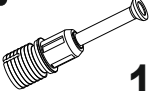


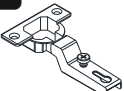


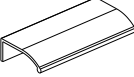







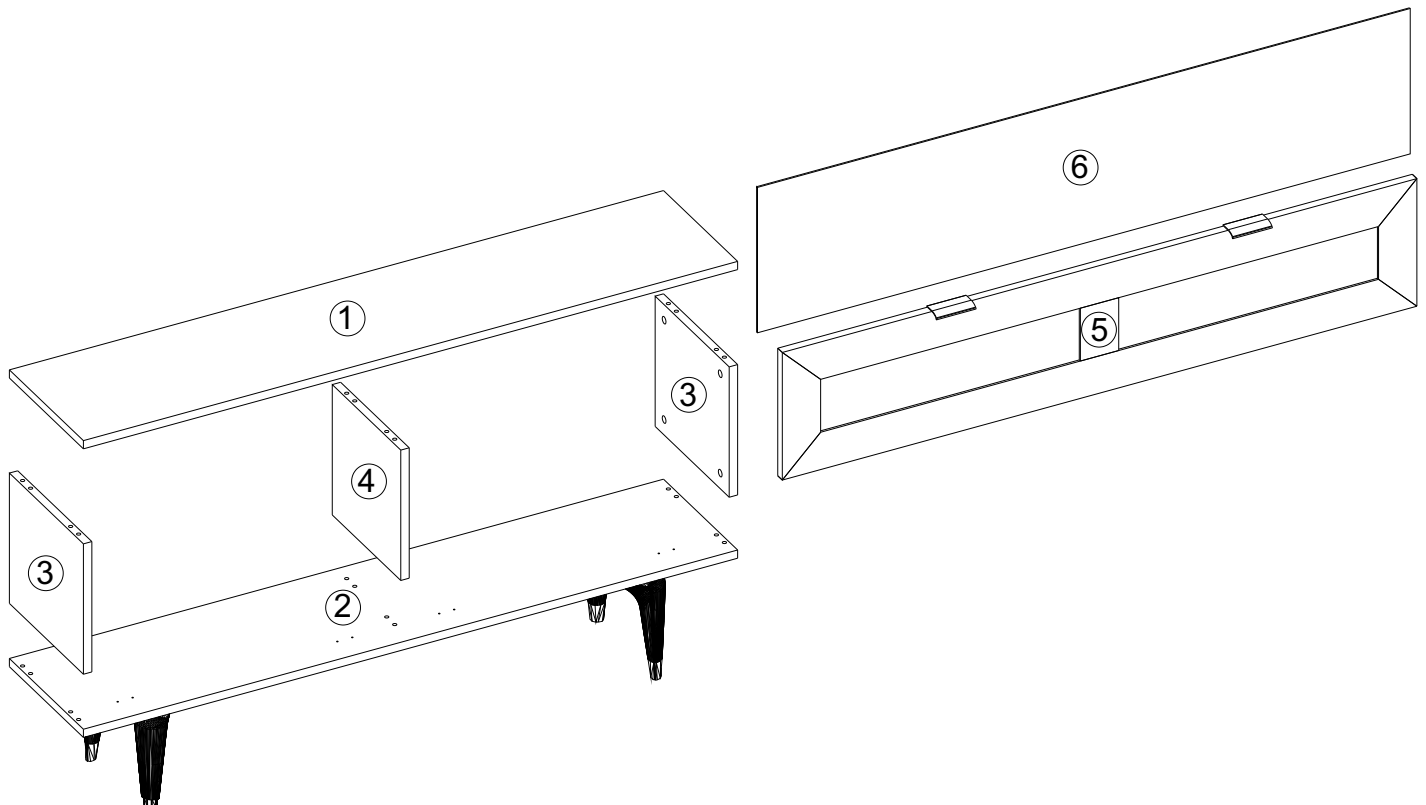


The necessary tools (not included)

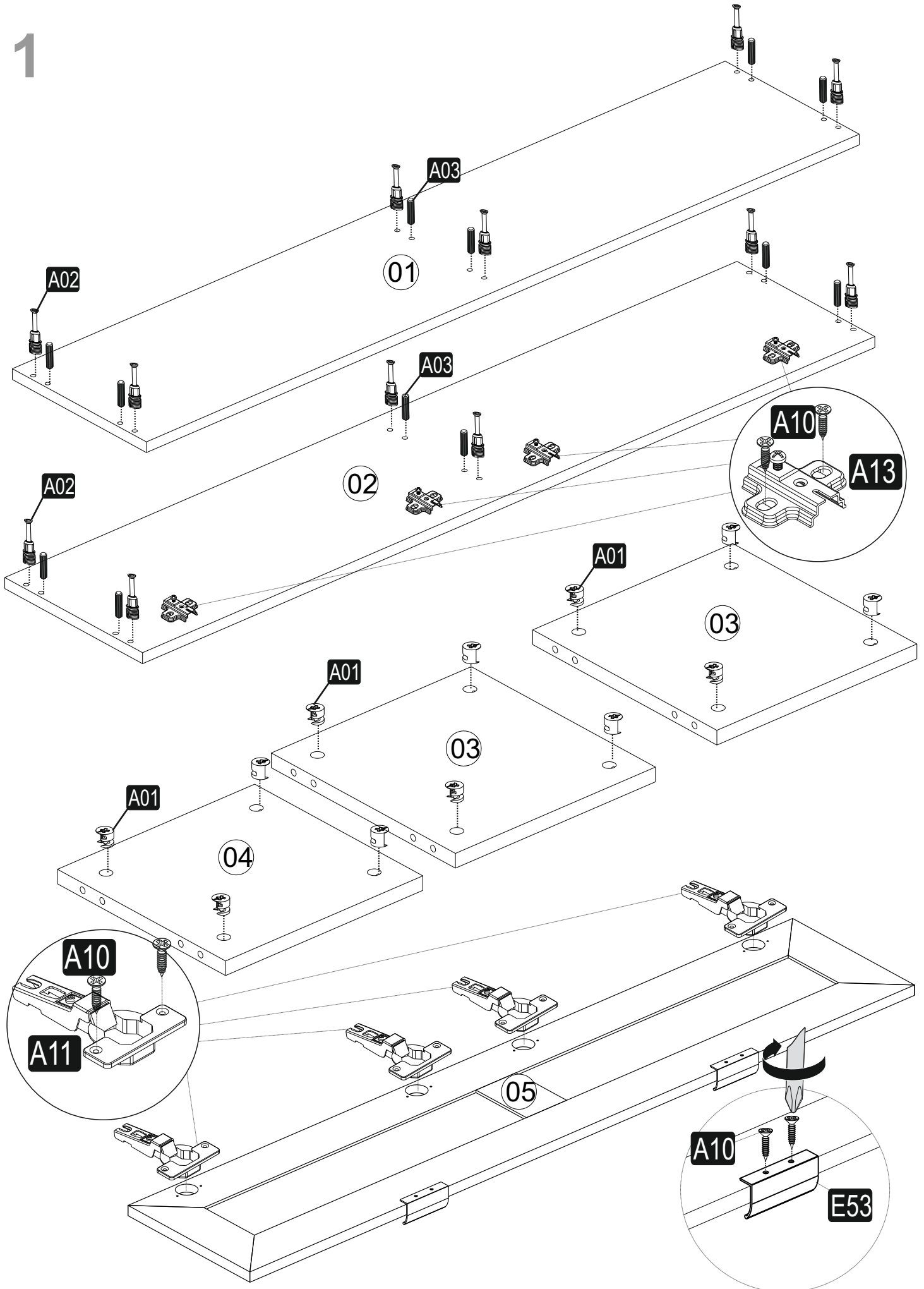
ACCESSORY LIST

A01  12x	A02  12x	A03  12x	A13  4x	A11  4x
A10 3,5x18  20x	A28  15x	E53  2x	D84  4x	A20 3,5x25  12x
A04  A 12x				

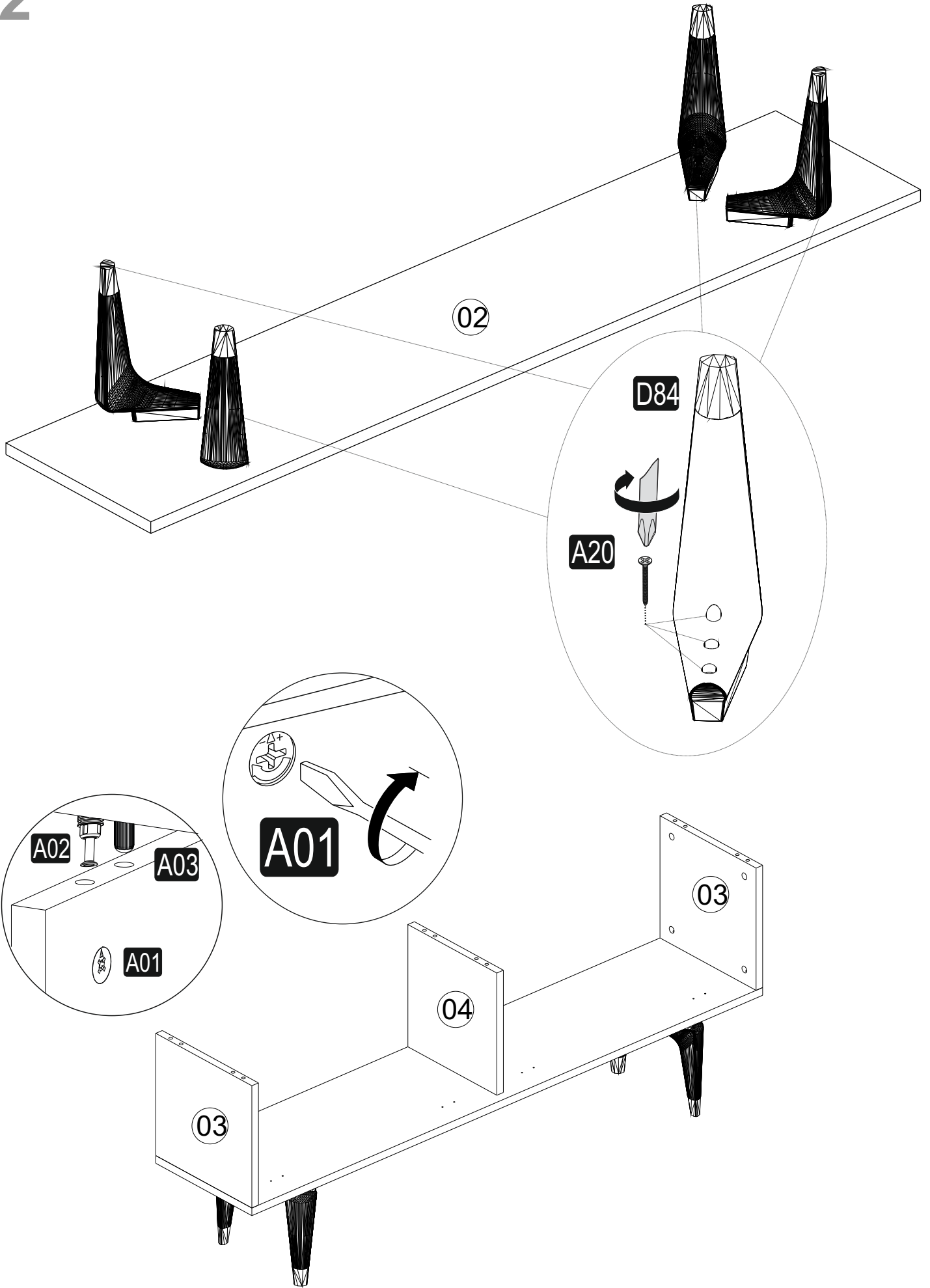
GENERAL VIEW



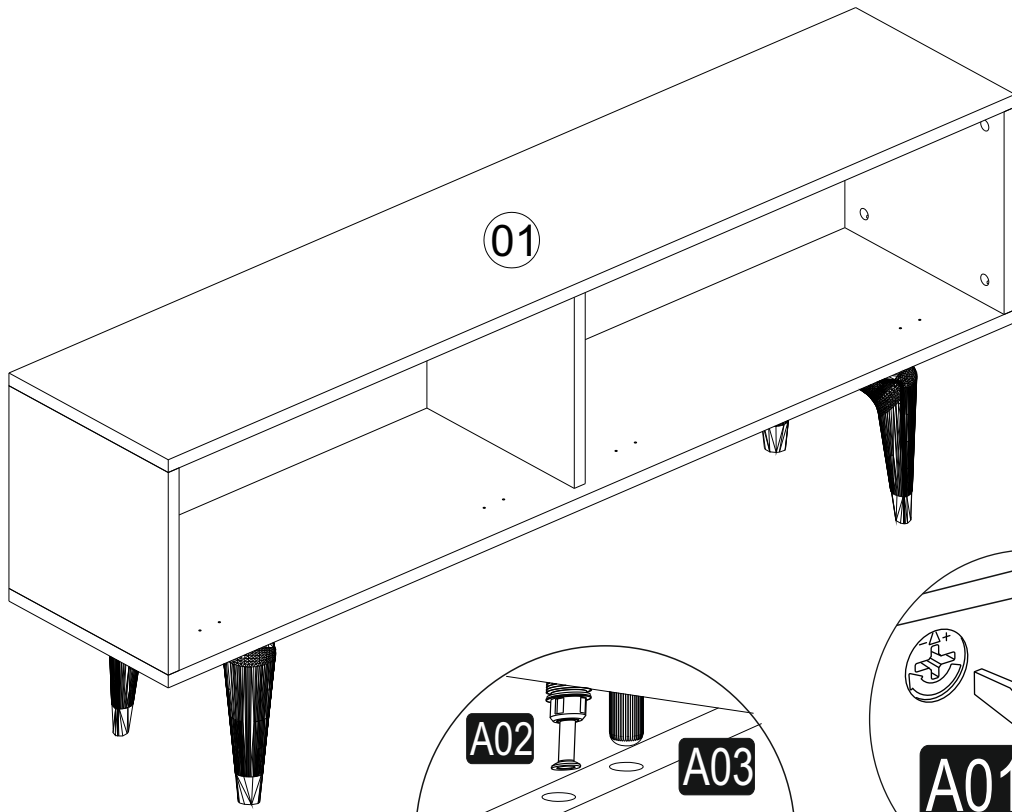
1



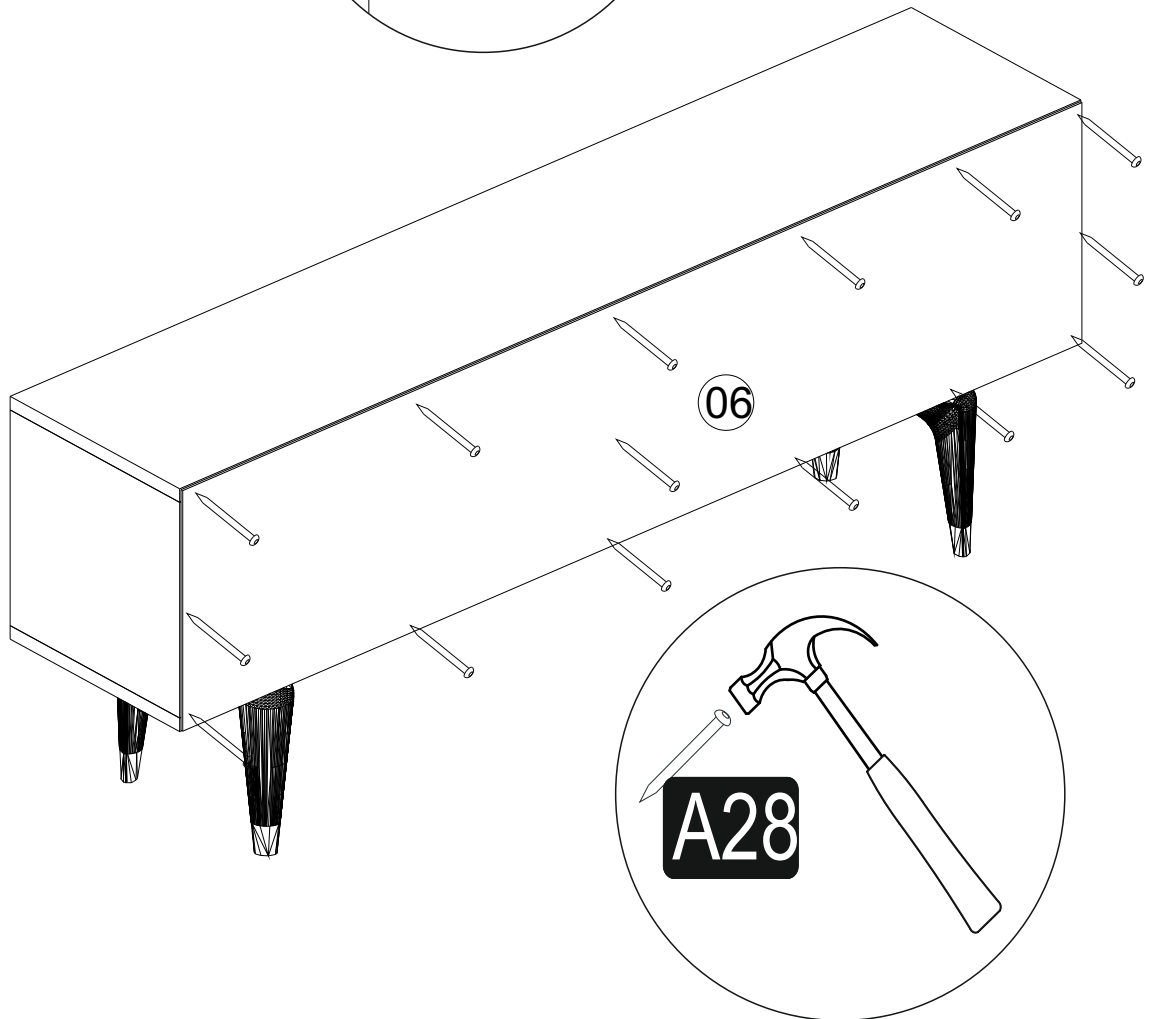
2



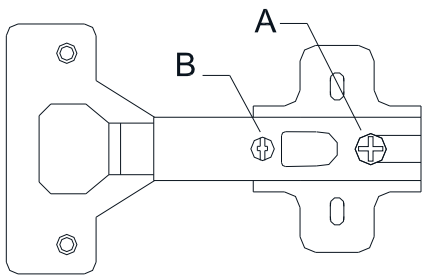
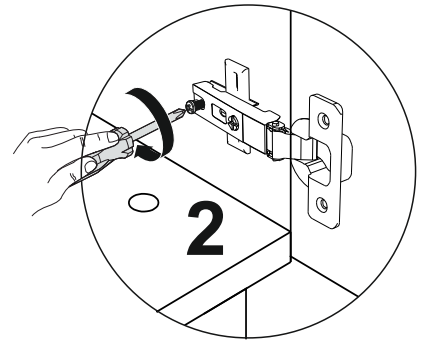
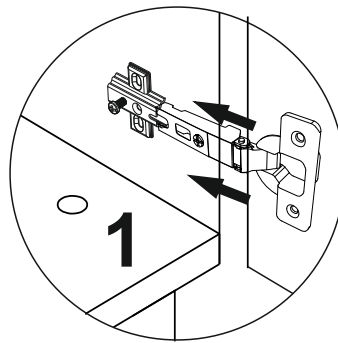
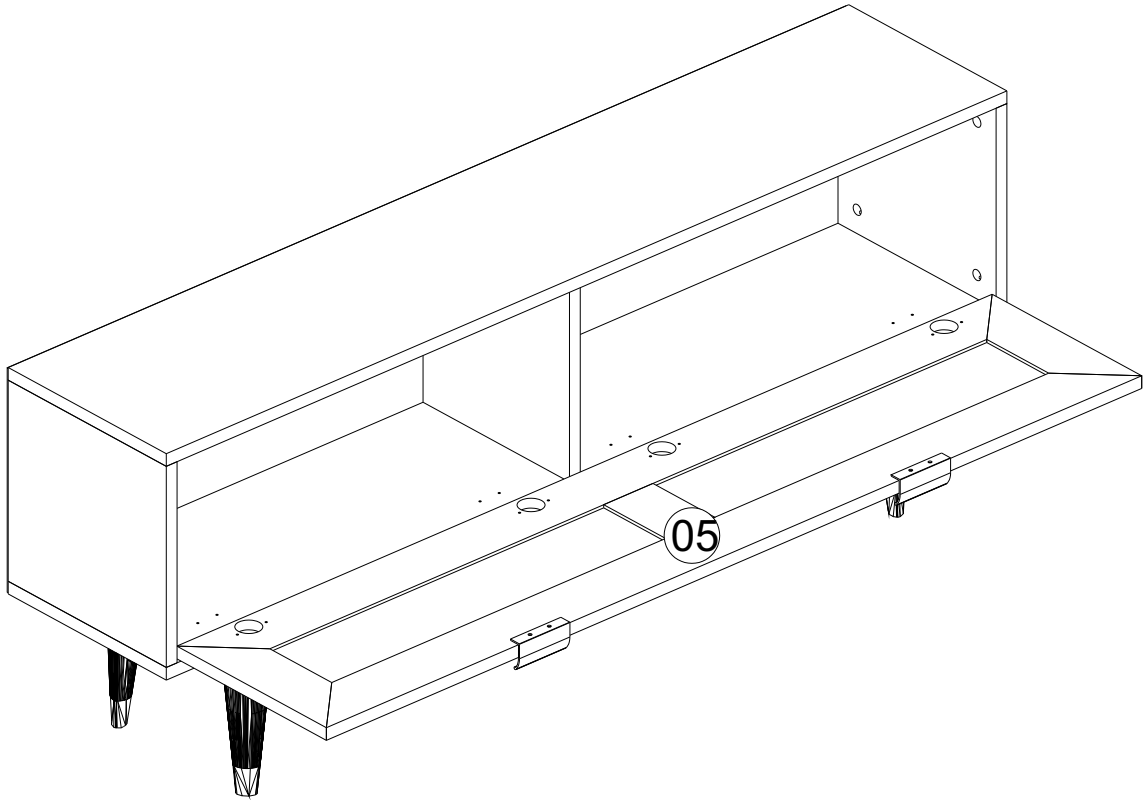
3



4

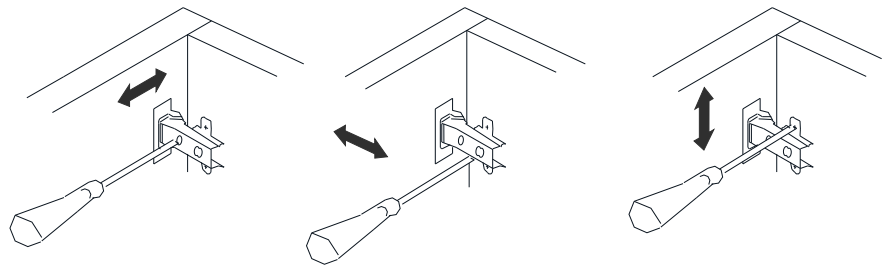


5



A =
B =

to connect the hinge to the door
to arrange the door



arrows to show the directions for arrangement of doors.

