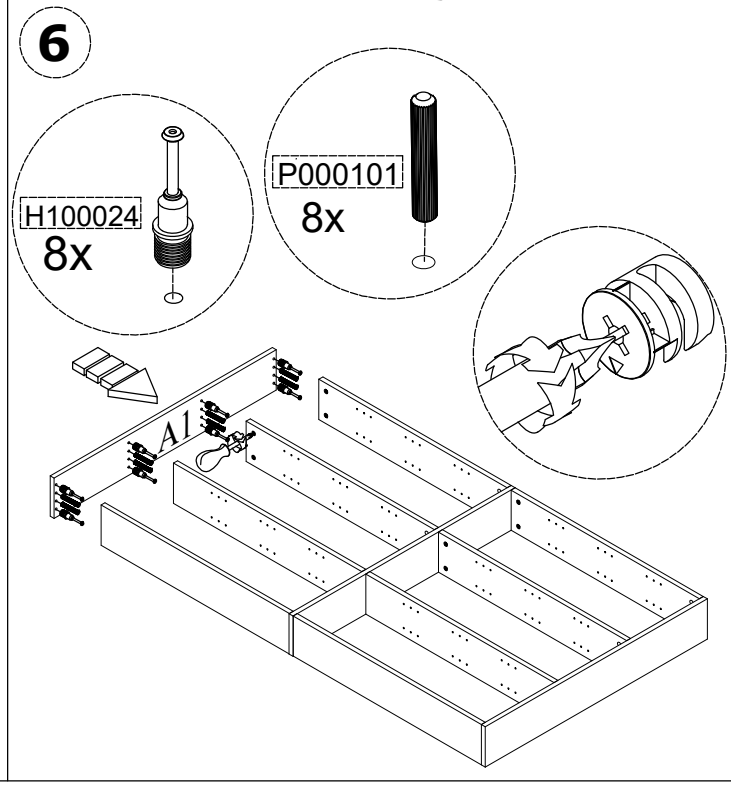
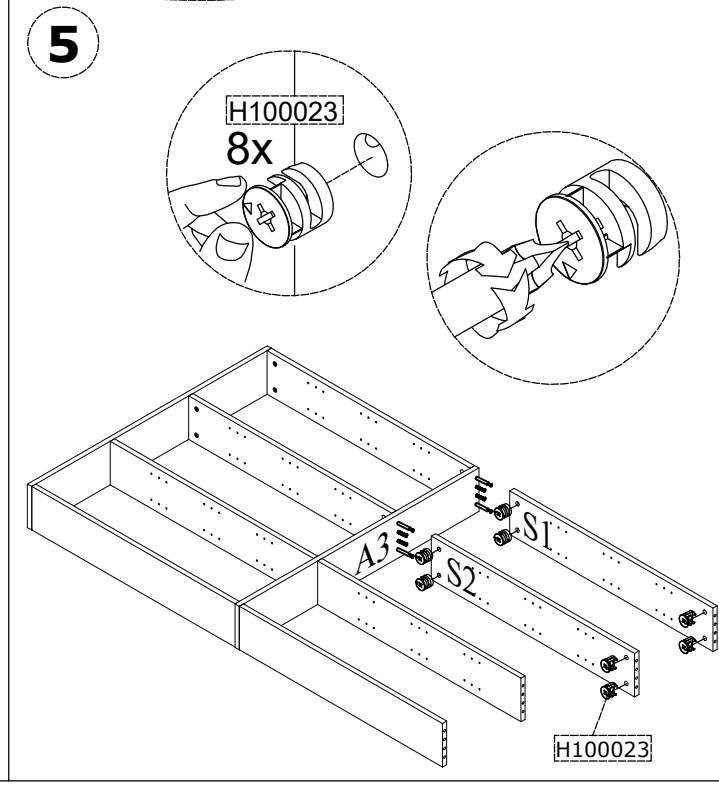
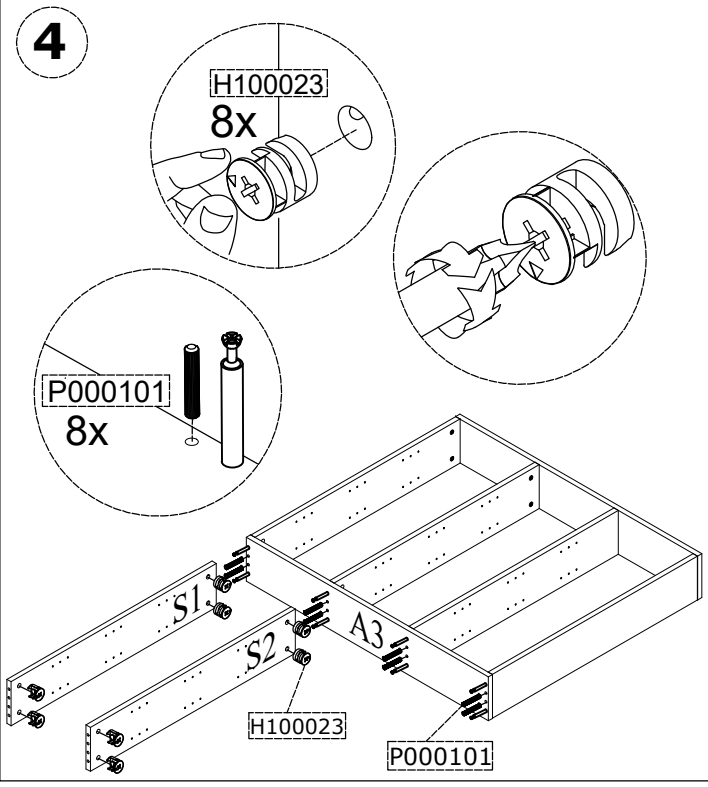
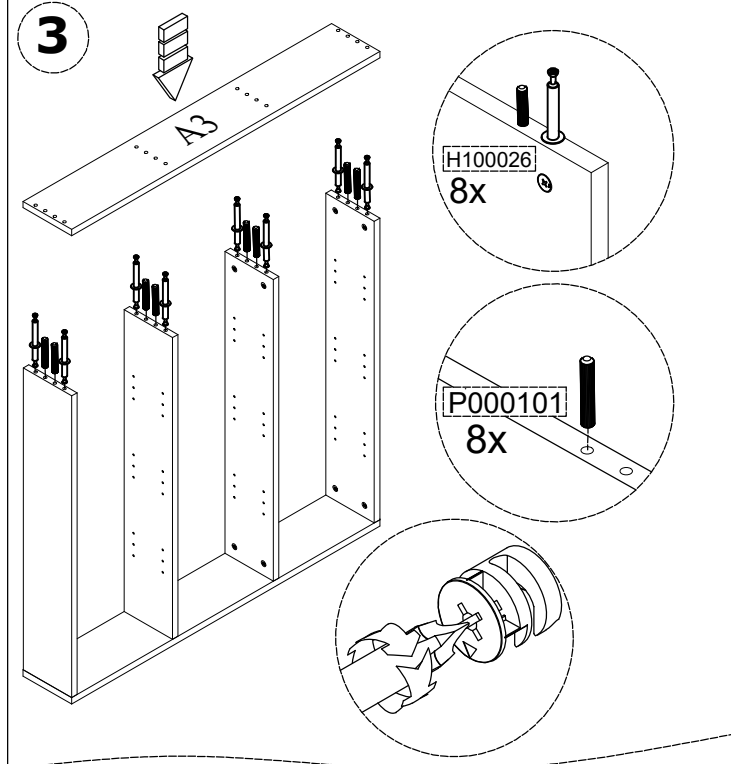
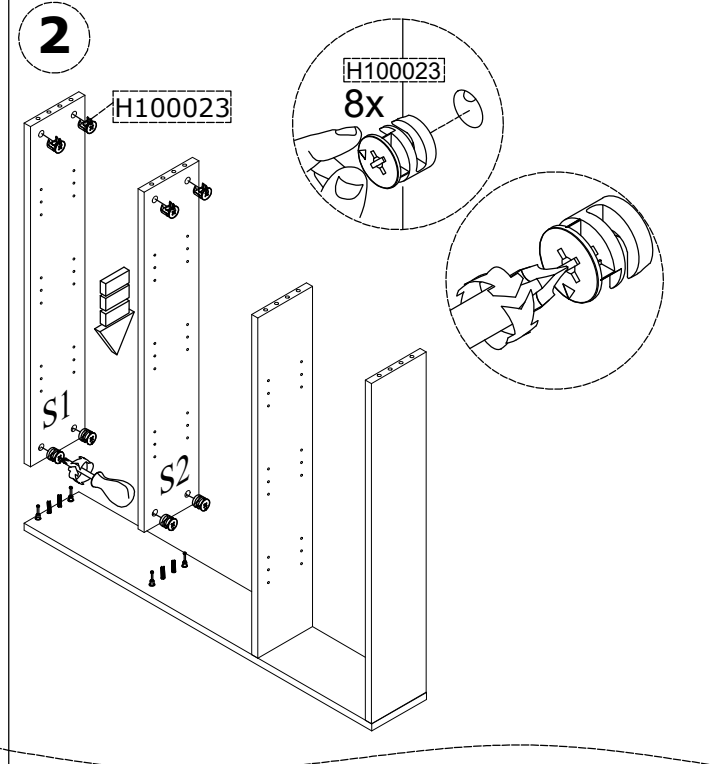
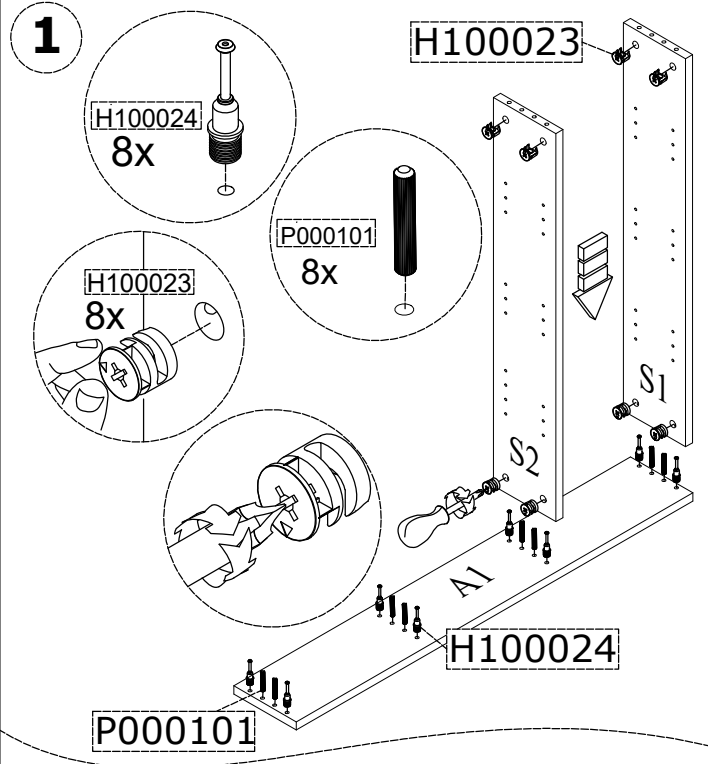


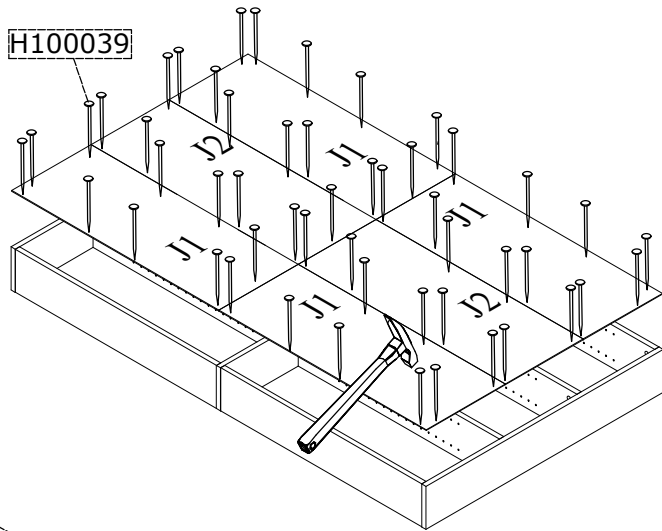
GP041-0045,2





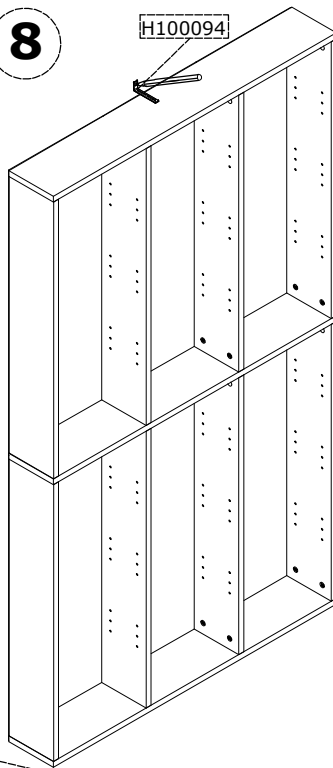
7

H100039
51x



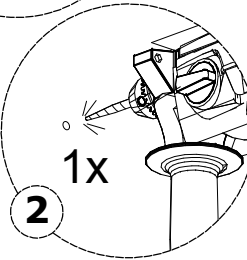
8

H100094



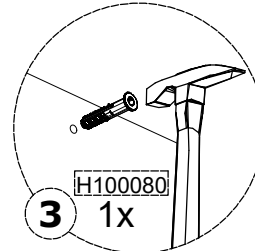
1

H100094
1x



2

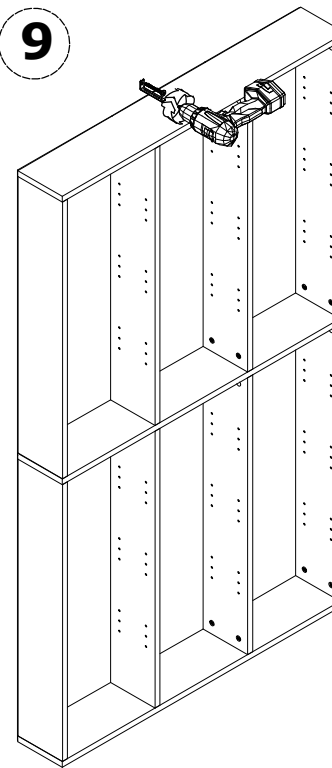
1x



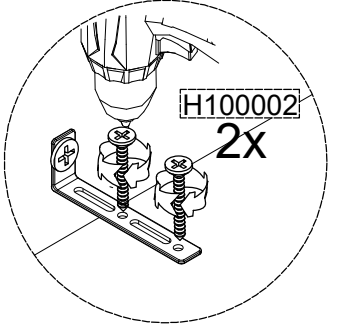
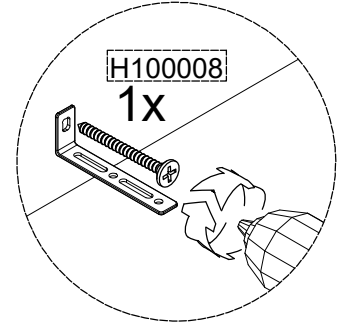
3

H100080
1x

9



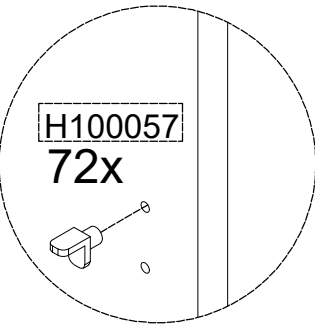
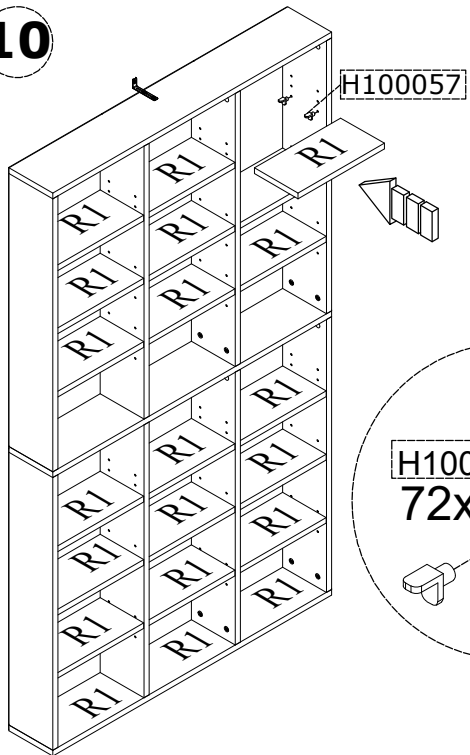
H100008
1x



H100002
2x

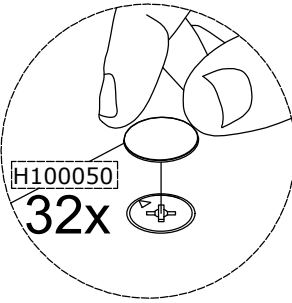
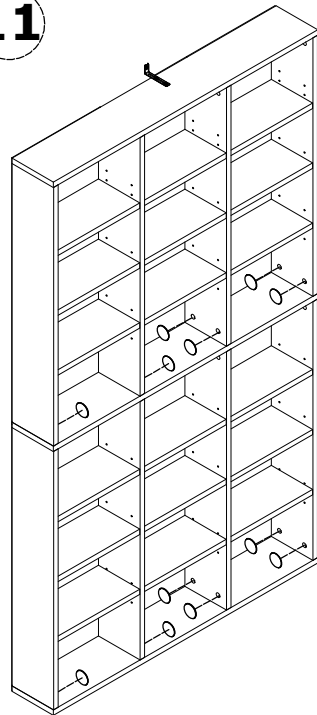
10

H100057



H100057
72x

11



H100050
32x

1/2

A

A1
2X

A3
1X

R1
18X

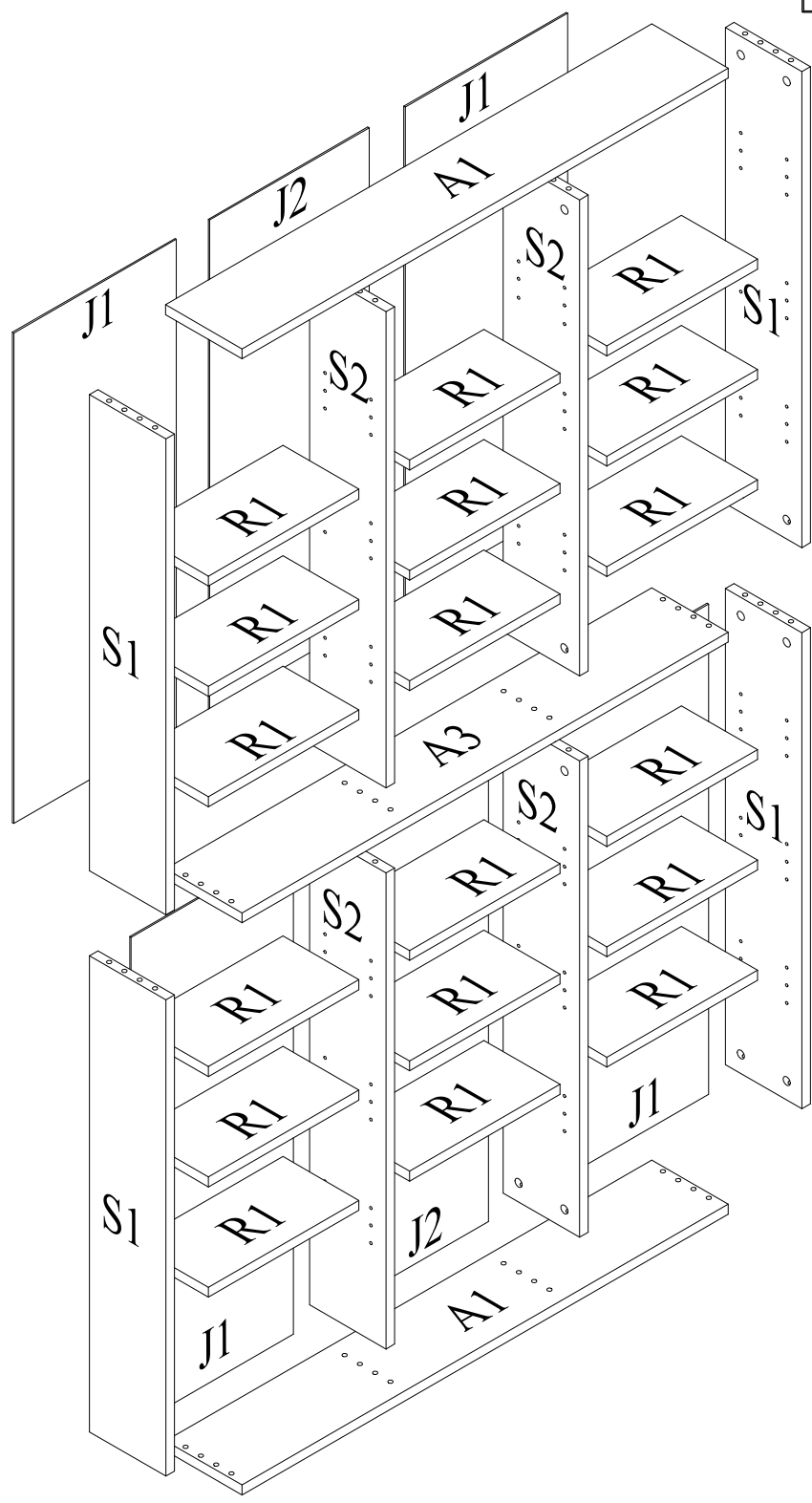
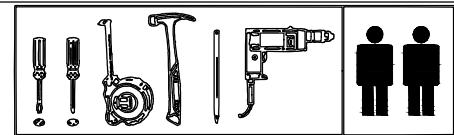
2/2

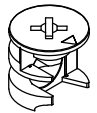
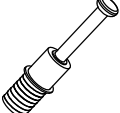
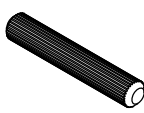

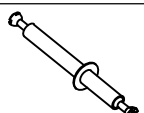
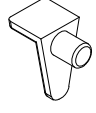


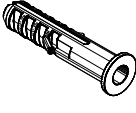
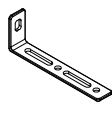
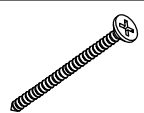
S1
4X

S2
4X

J2
2X

J1
4X



NO : H100023  32 X	NO : H100024  16 X	NO : P000101 Ø8 x 29 MM  32 X	NO : H100050  32 X	NO : H100026 86 MM  08 X	NO : H100057  72 X	NO : H100039  51 X	NO : H100002 4x18 MM  02 X
NO : H100080  01 X	NO : H100094  01 X	NO : H100008 5x50 MM  01 X					