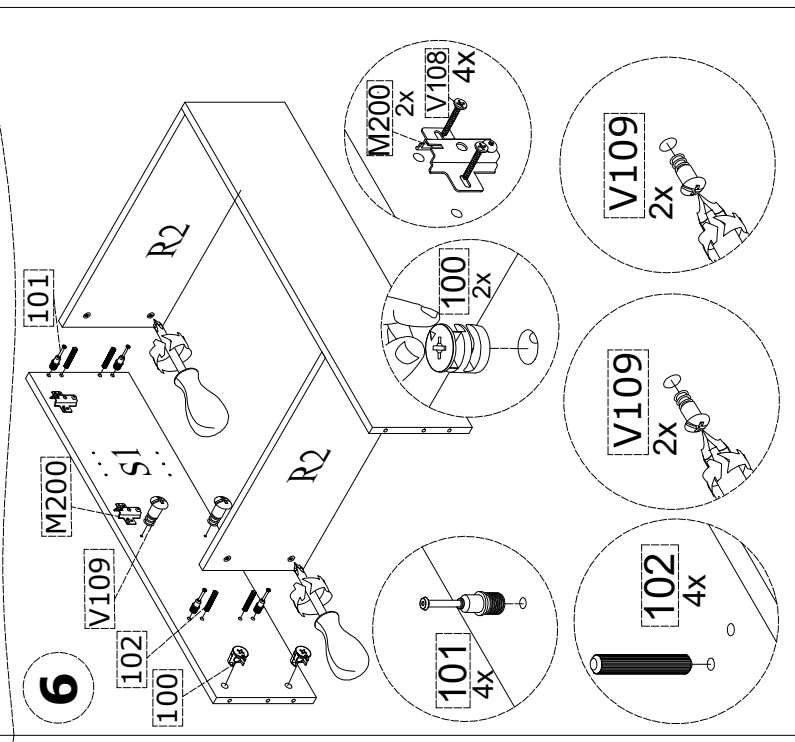
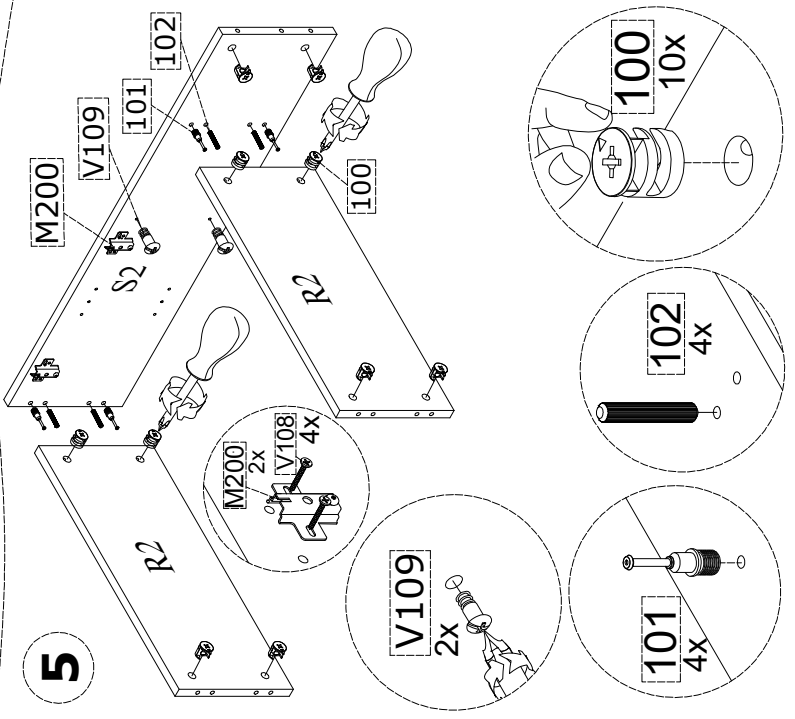
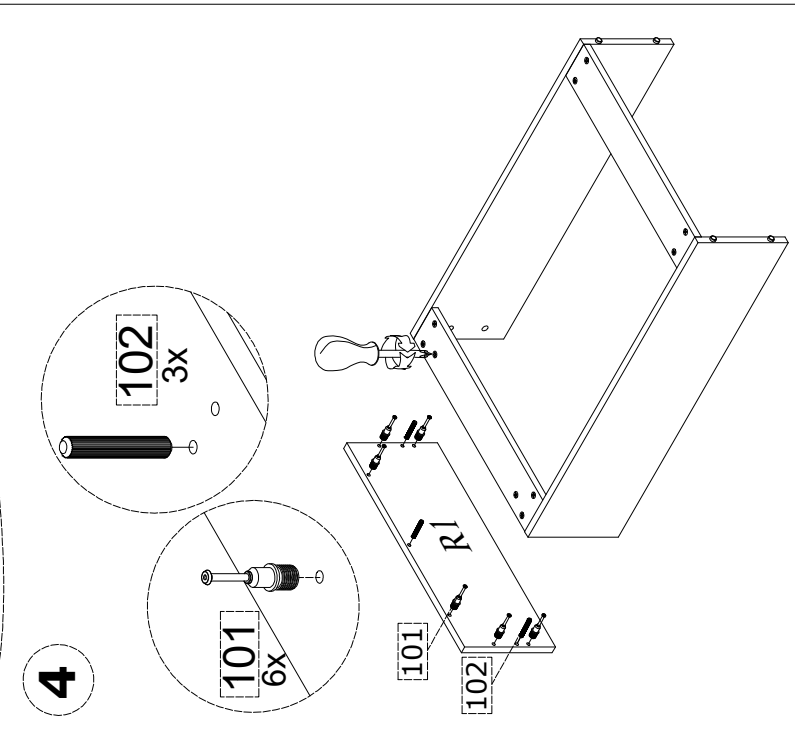
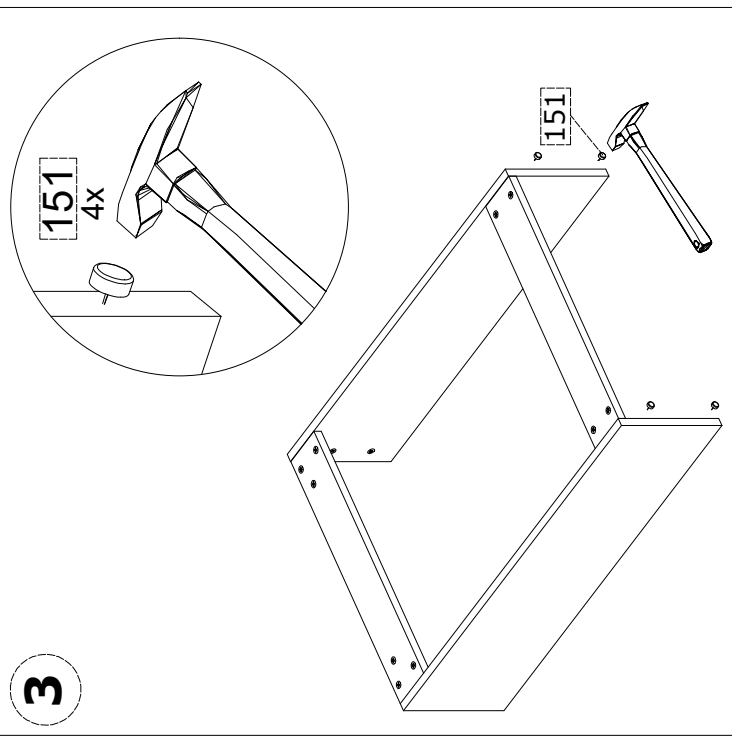
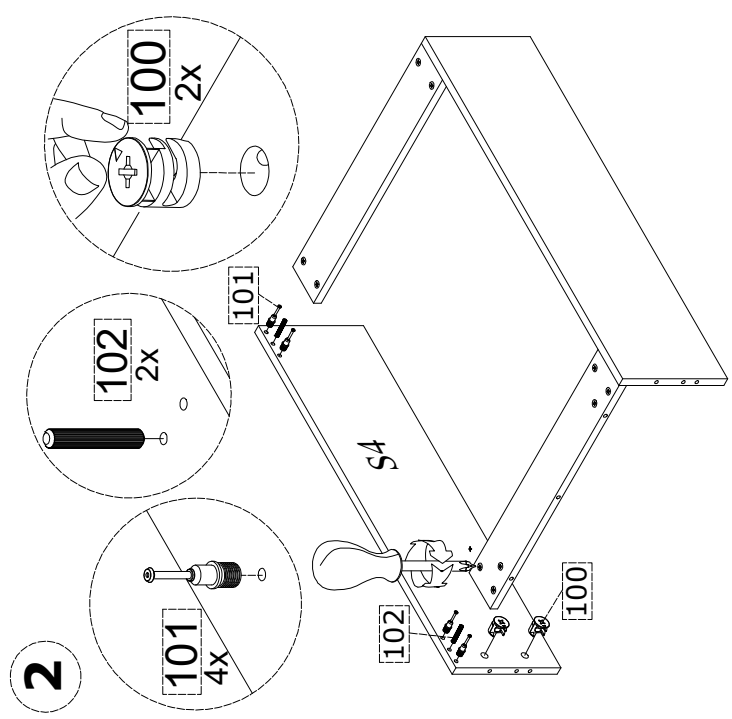
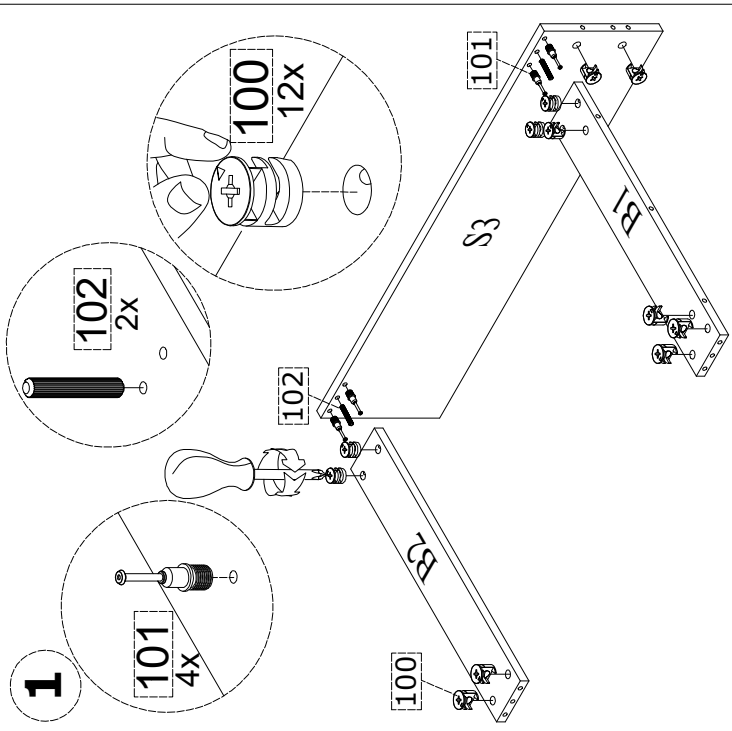
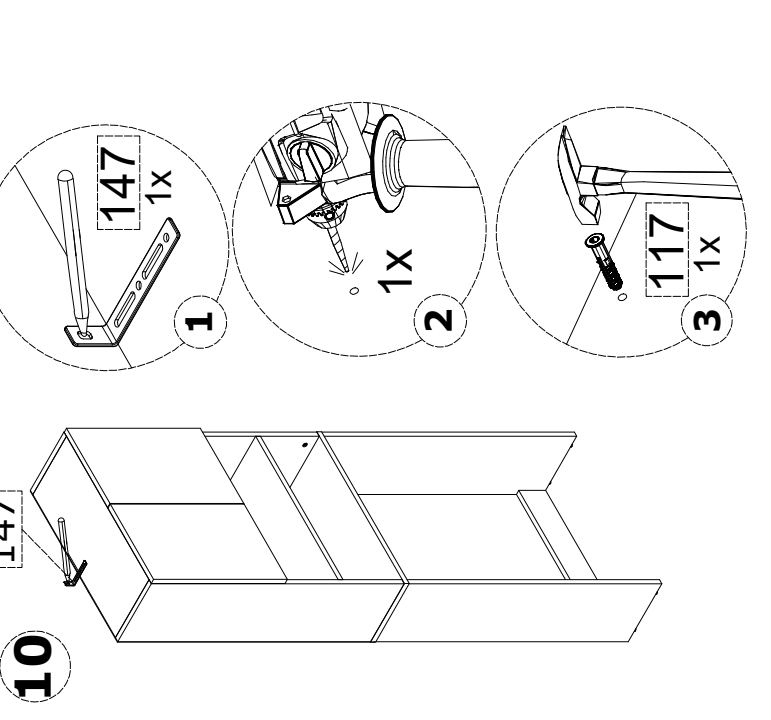
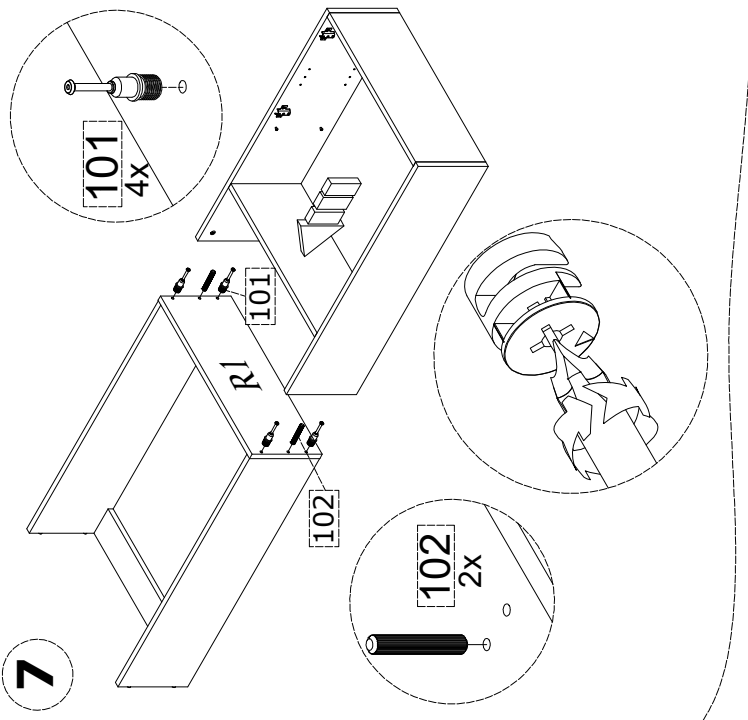
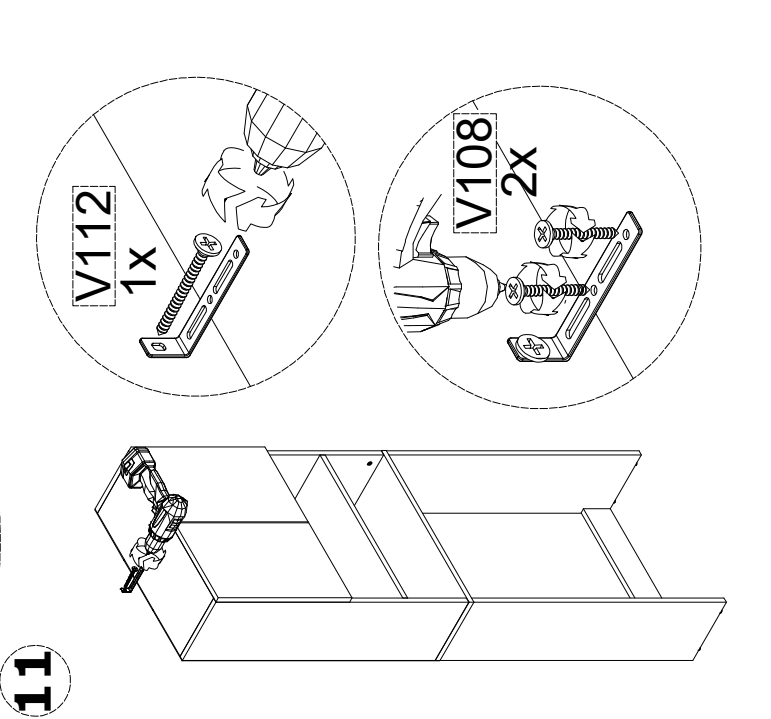
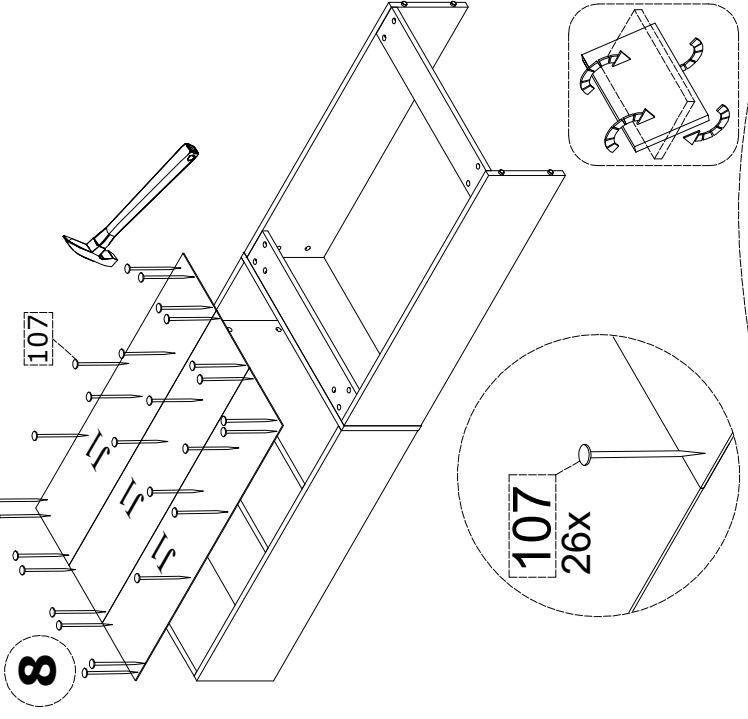
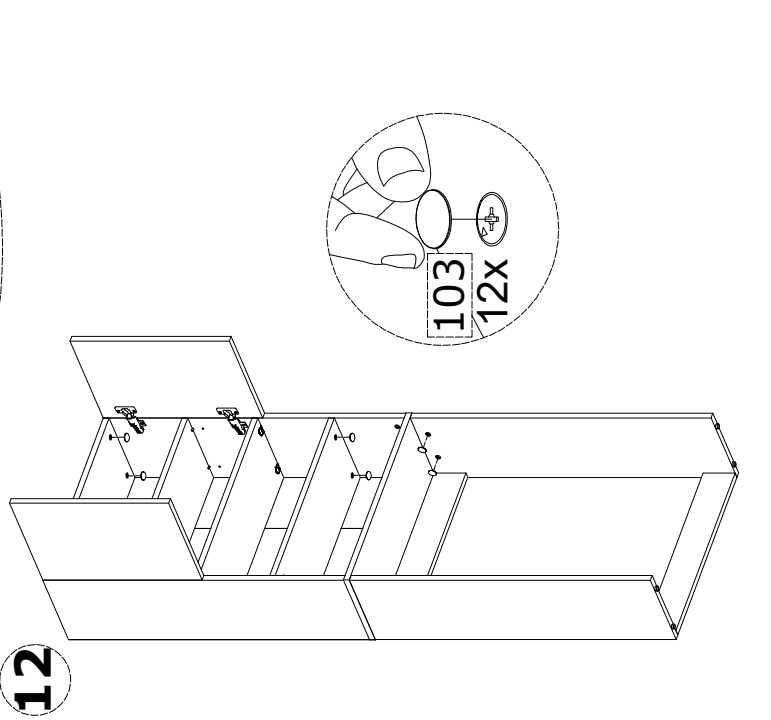
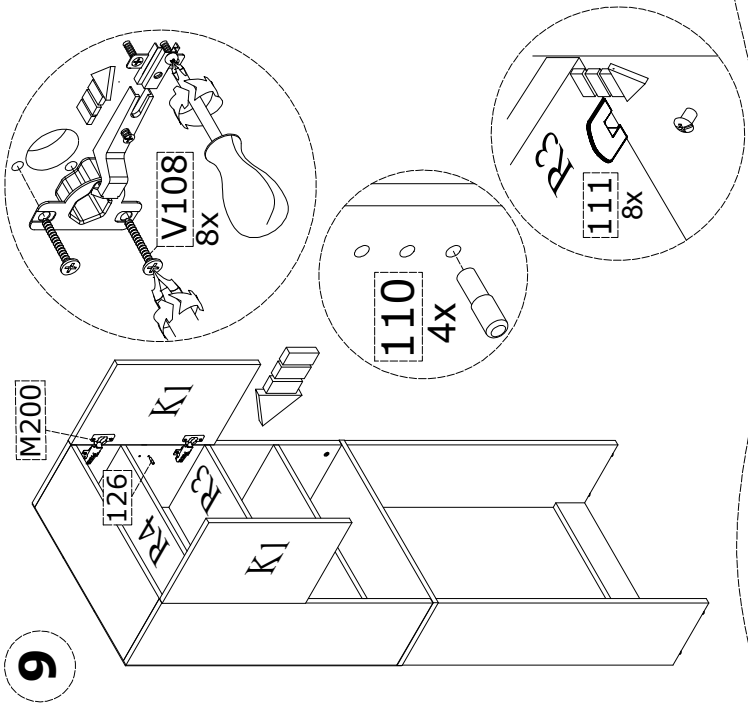


GP041-0035,2







PKG1

A

K1

2X

R4

1X

R3

1X

B1

1X

B2

1X

R2

2X

PKG2

R1

1X

S4

1X

S3

1X

S2

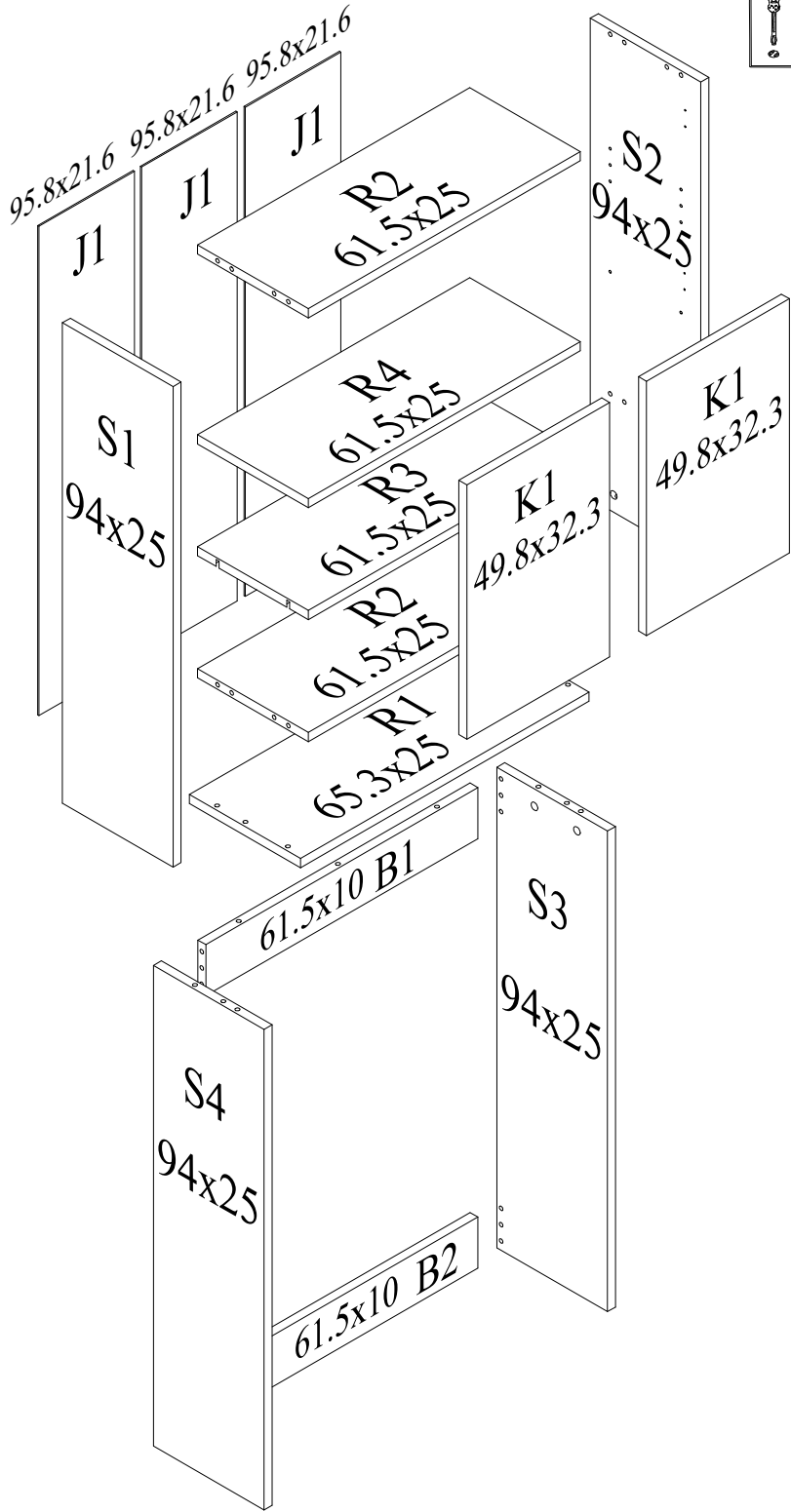
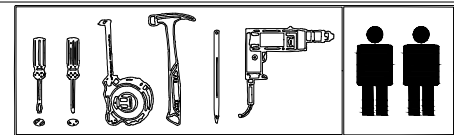
1X

S1

1X

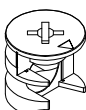
J1

3X



ACCESSORY NO:100

MINIFIX BODY



26 PCS

ACCESSORY NO:101

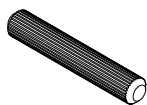
MINIFIX SPINDLE



26 PCS

ACCESSORY NO:102

Ø8 x 29 PLASTIC DOWEL



17 PCS

ACCESSORY NO:103

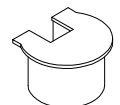
MINIFIX TAP



12 PCS

ACCESSORY NO:111

RAFFIX BODY



04 PCS

ACCESSORY NO:V109

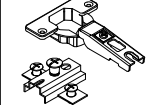
RAFFIX SHAFT Ø6x7,5 MM



04 PCS

ACCESSORY NO:M200

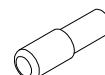
HINGE HINGE COUNTERPARTS



04 PCS

ACCESSORY NO:110

SHELF PIN METAL BODY



04 PCS

ACCESSORY NO:107

NAIL



26 PCS

ACCESSORY NO:V108

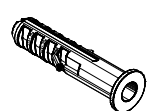
CHIPBOARD SCREW 4x18 MM



18 PCS

ACCESSORY NO:117

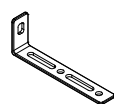
8 MM WALL PLUG



01 PCS

ACCESSORY NO:147

WALL STABILIZER PART



01 PCS

ACCESSORY NO:V112

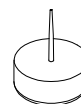
5x50 MM YHB SCREW



01 PCS

ACCESSORY NO: 151

TAP NAILS



04 PCS