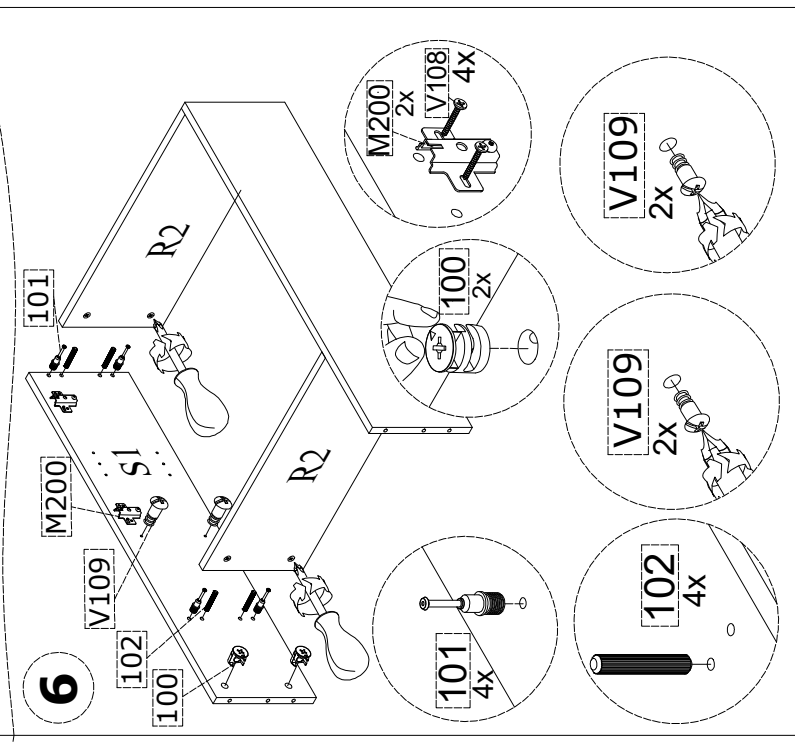
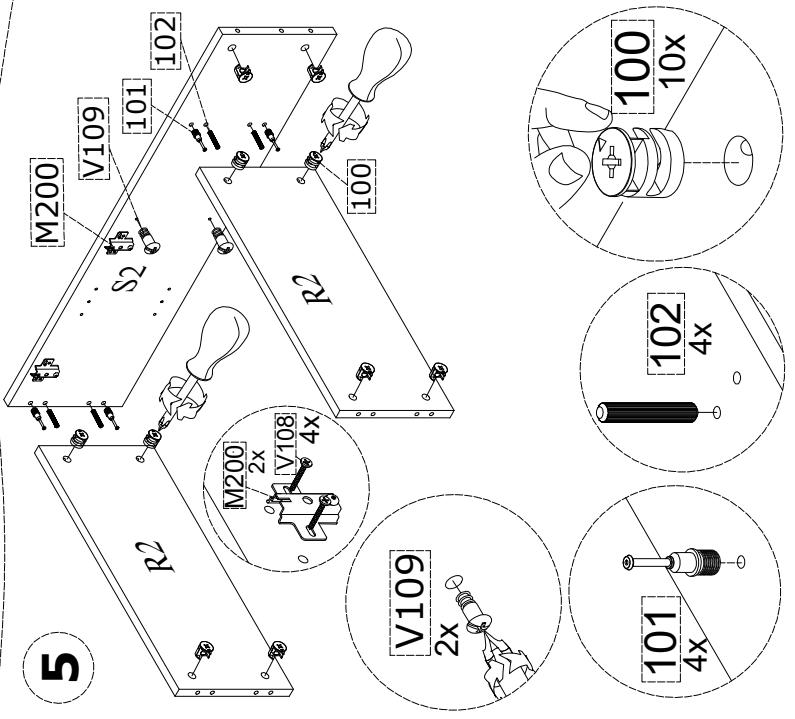
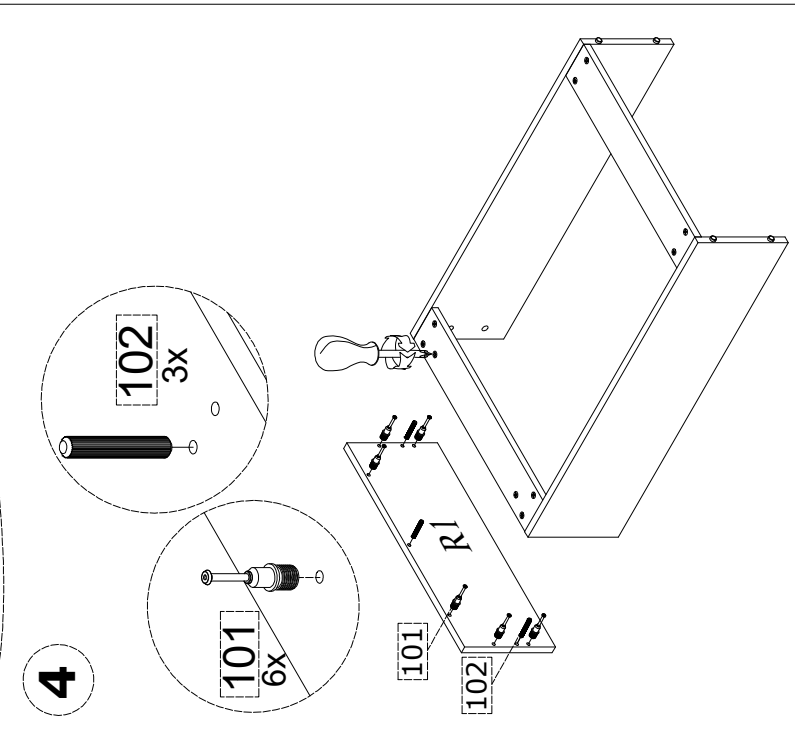
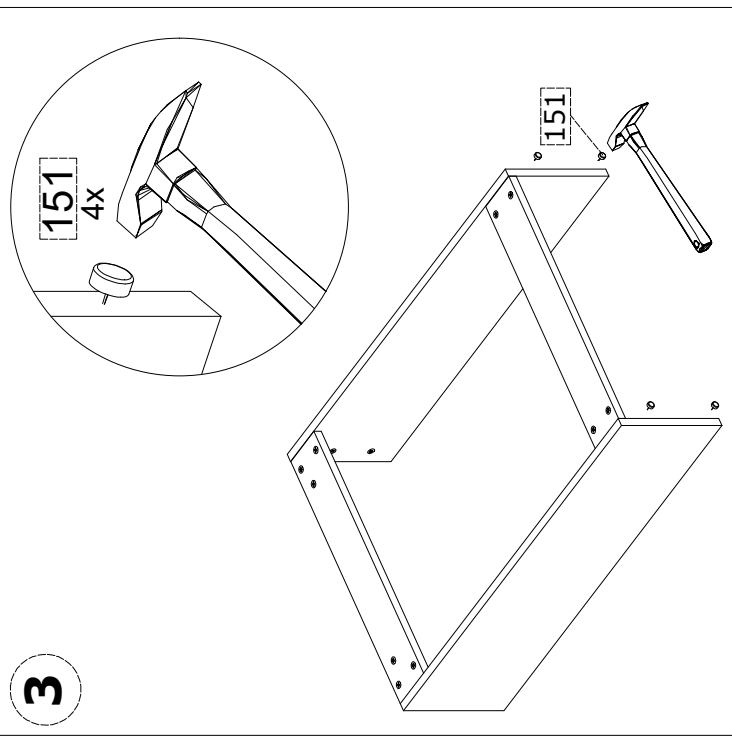
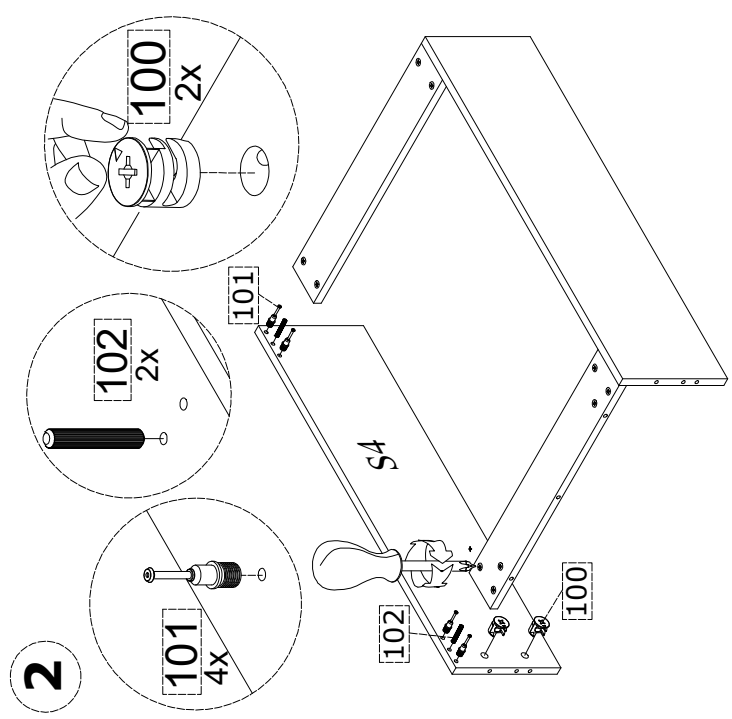
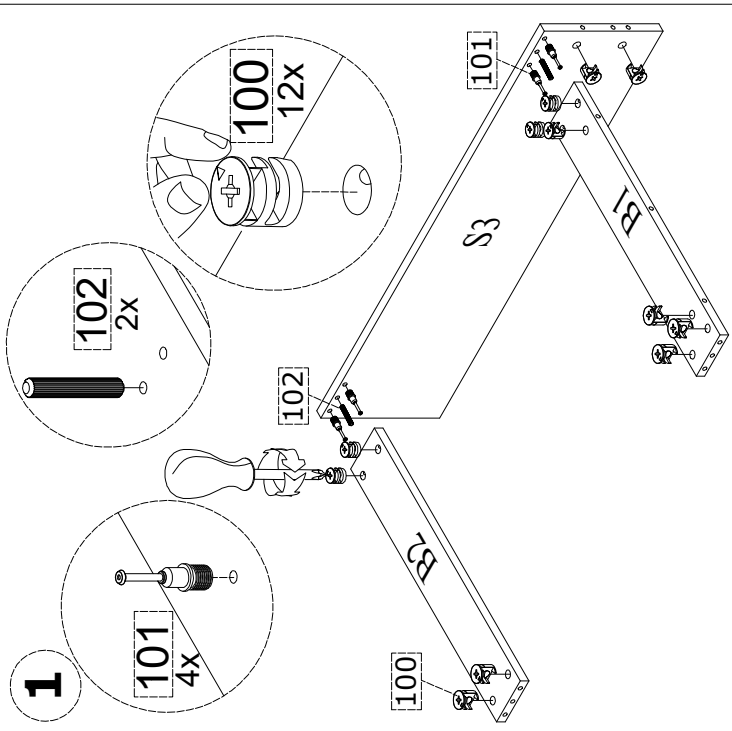
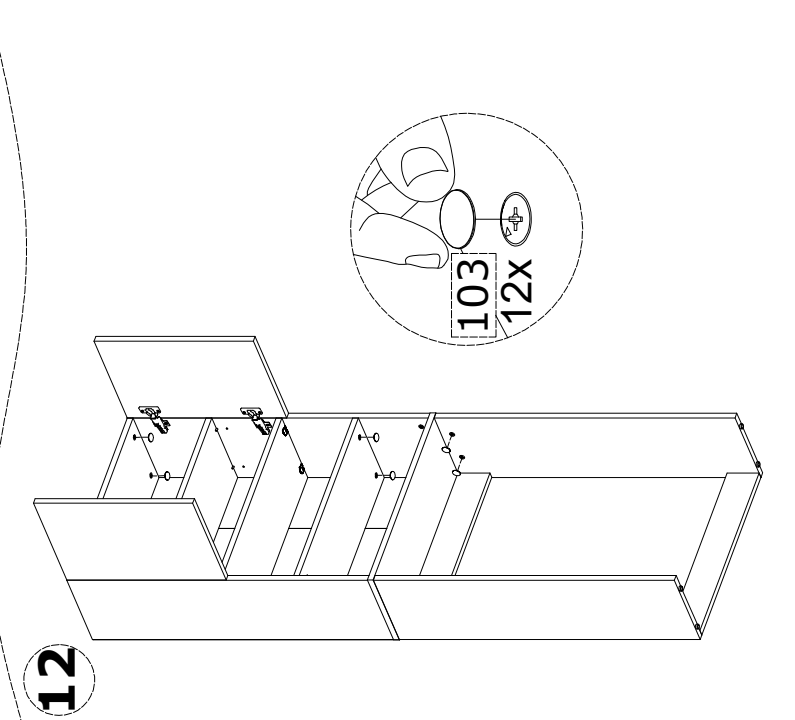
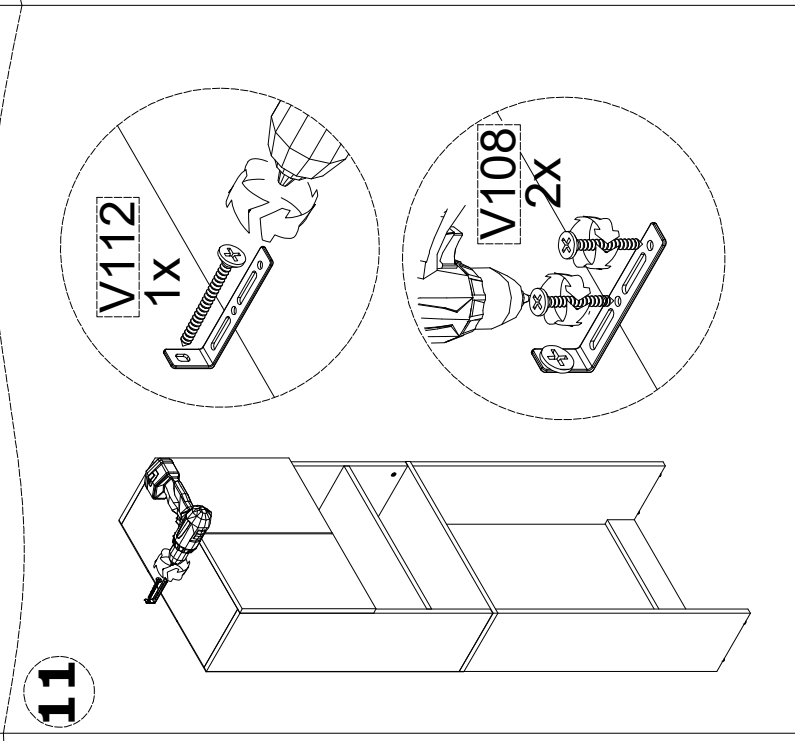
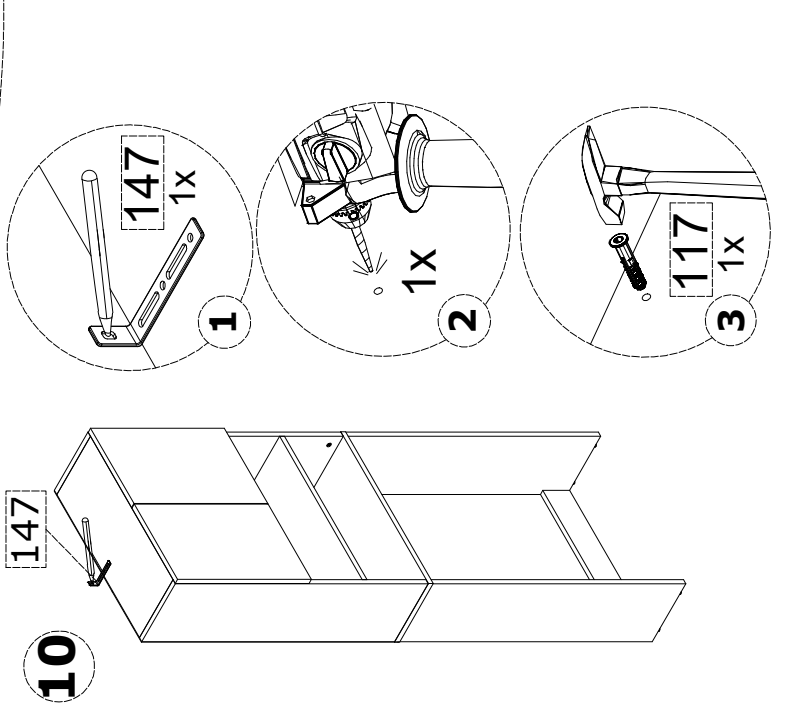
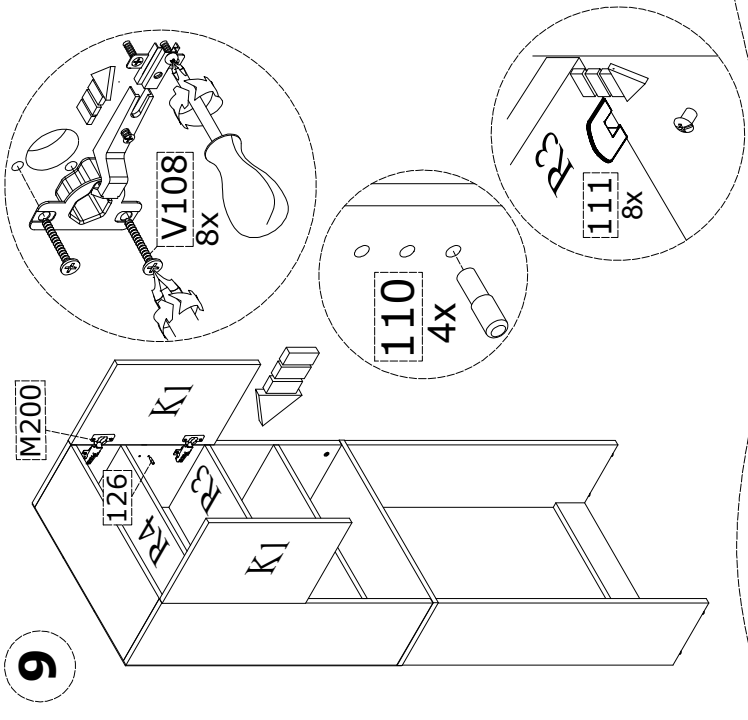
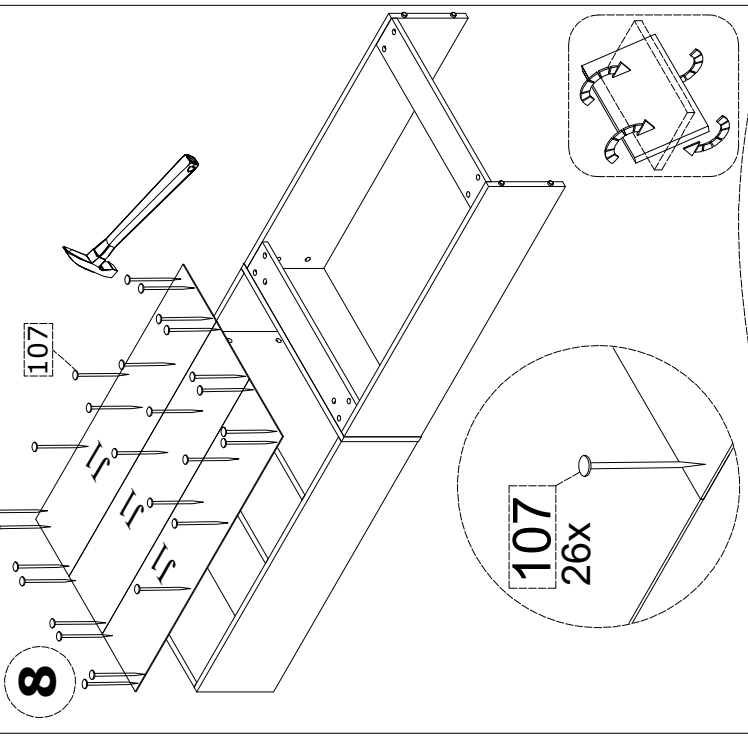
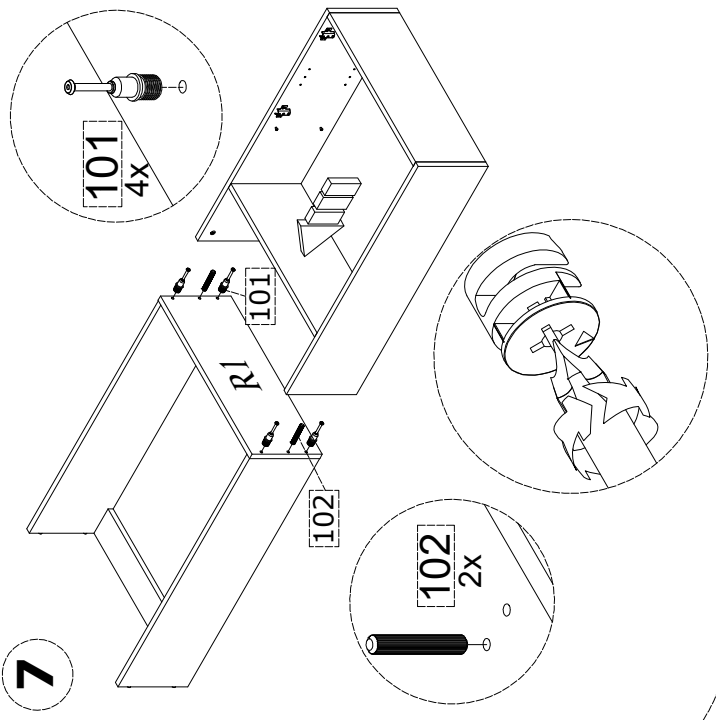


GP041-0035,1







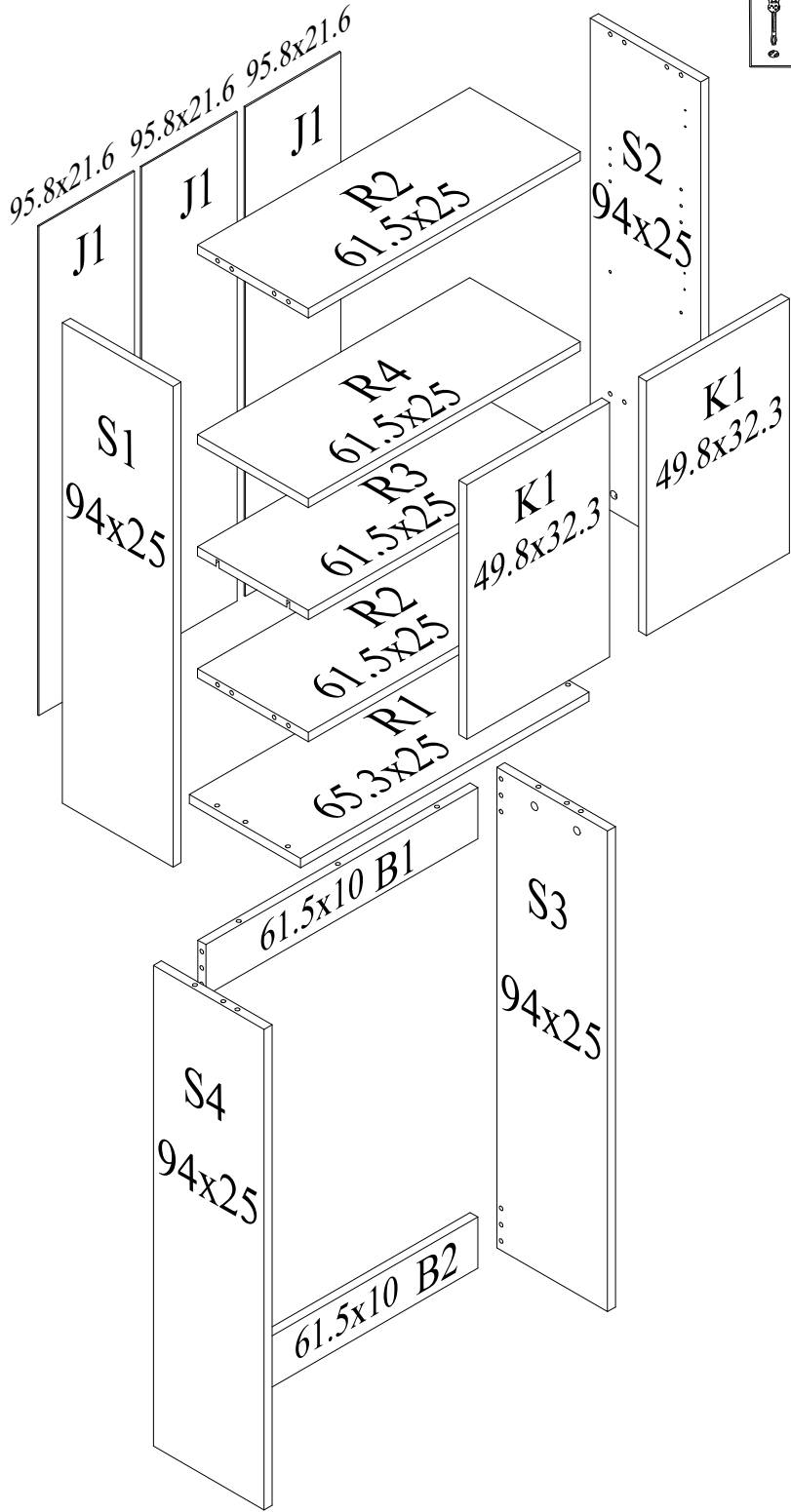
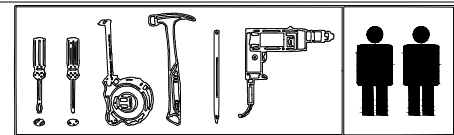
PKG1

A

- K1
- 2X
- R4
- 1X
- R3
- 1X
- B1
- 1X
- B2
- 1X
- R2
- 2X

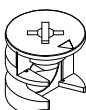
PKG2

- R1
- 1X
- S4
- 1X
- S3
- 1X
- S2
- 1X
- S1
- 1X
- J1
- 3X



ACCESSORY NO:100

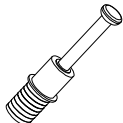
MINIFIX BODY



26 PCS

ACCESSORY NO:101

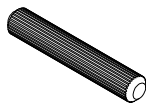
MINIFIX SPINDLE



26 PCS

ACCESSORY NO:102

Ø8 x 29 PLASTIC DOWEL



17 PCS

ACCESSORY NO:103

MINIFIX TAP



12 PCS

ACCESSORY NO:111

RAFFIX BODY



04 PCS

ACCESSORY NO:V109

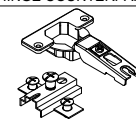
RAFFIX SHAFT Ø6x7,5 MM



04 PCS

ACCESSORY NO:M200

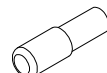
HINGE HINGE COUNTERPARTS



04 PCS

ACCESSORY NO:110

SHELF PIN METAL BODY



04 PCS

ACCESSORY NO:107

NAIL



26 PCS

ACCESSORY NO:V108

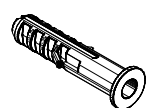
CHIPBOARD SCREW 4x18 MM



18 PCS

ACCESSORY NO:117

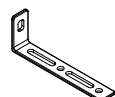
8 MM WALL PLUG



01 PCS

ACCESSORY NO:147

WALL STABILIZER PART



01 PCS

ACCESSORY NO:V112

5x50 MM YHB SCREW



01 PCS

ACCESSORY NO: 151

TAP NAILS



04 PCS