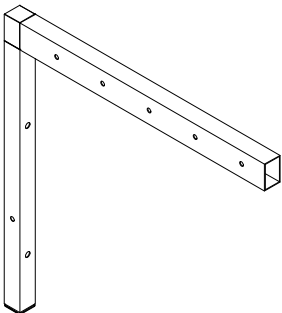


**GP041-0034,1**

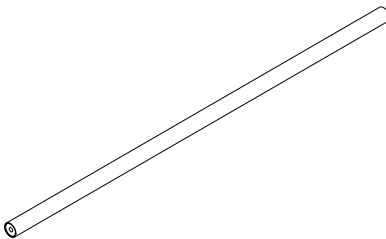


A



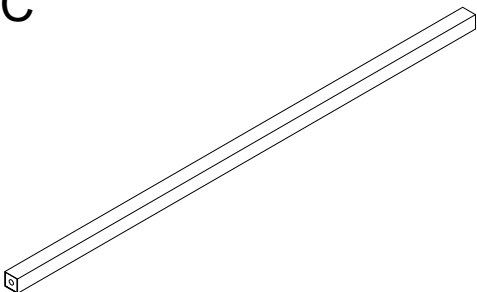
x2

B



x5

C



x1

a x16



5x50 YHB

b x4



8 MM

c x4



d x16



e x2

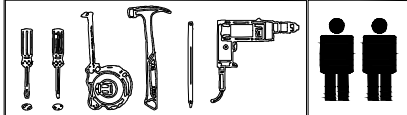


20x20

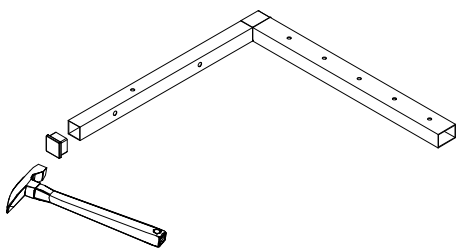
f x2



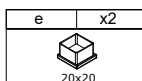
30x20



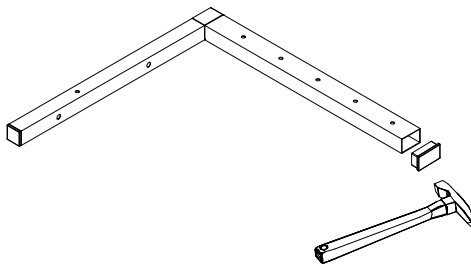
01



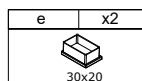
x2



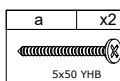
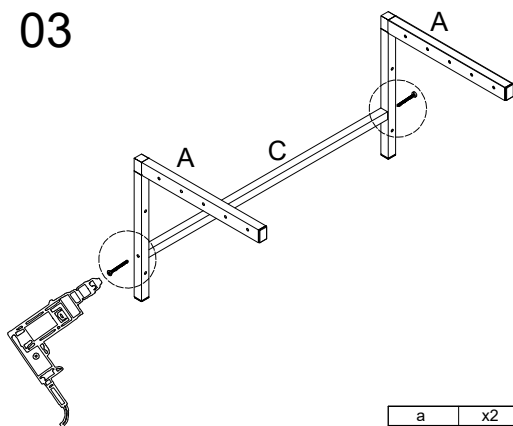
02



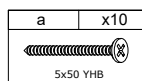
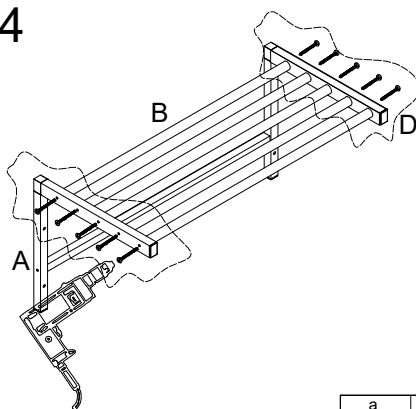
x2



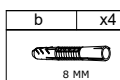
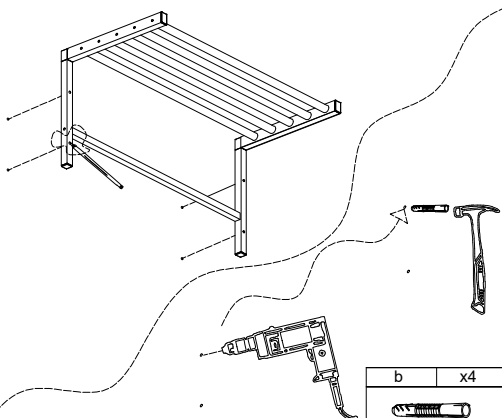
03



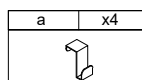
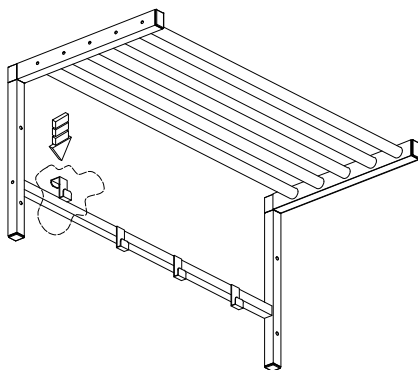
04



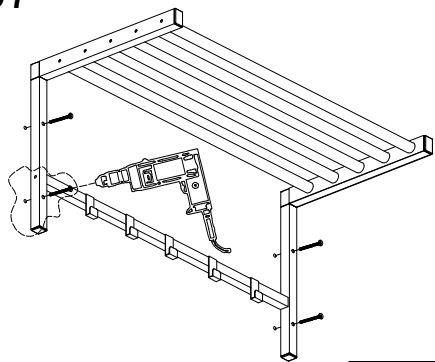
05




06

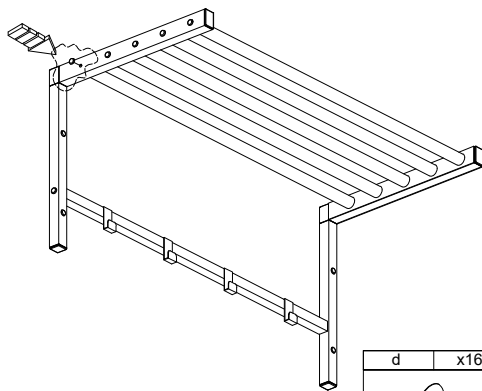


07



a	x4
	
5x50 YHB	

08



d	x16
