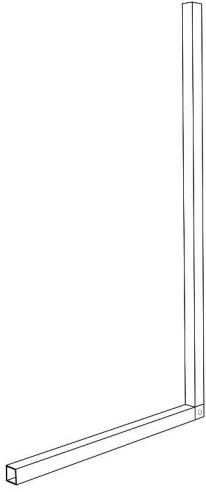


**GP041-0030,1**

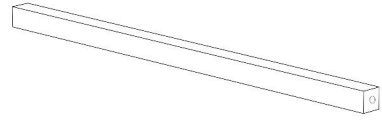


**A**



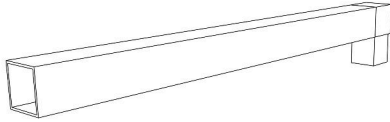
**x2**

**B**



**x1**

**C**



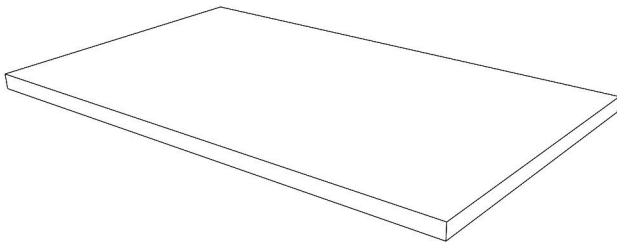
**x2**

**D**



**x2**

**E**



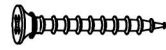
**x1**

a

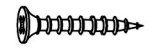
x6

b

x4



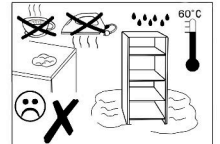
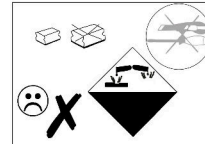
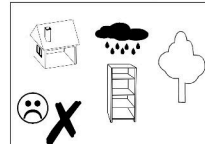
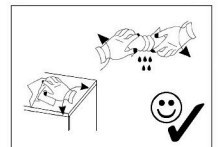
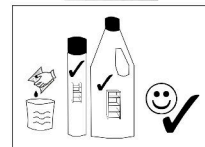
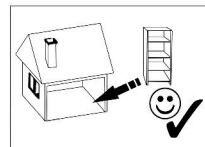
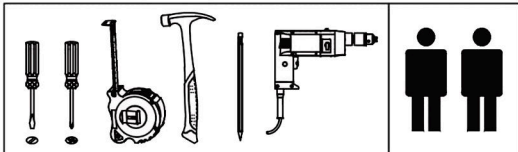
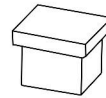
M5x50



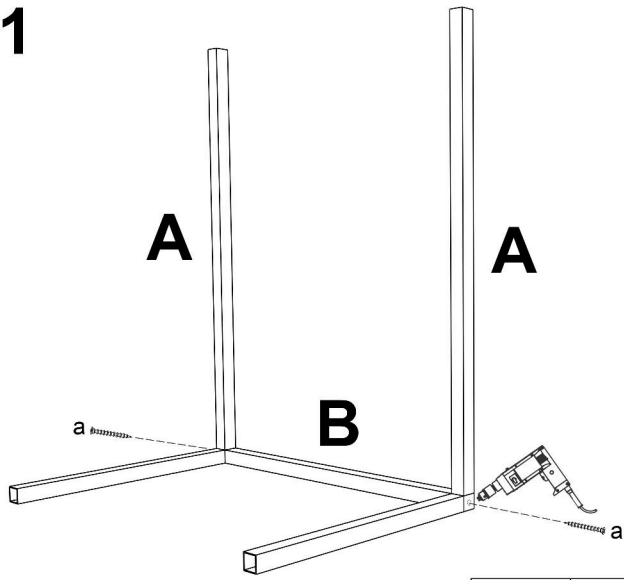
M4x35

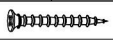
c

x4

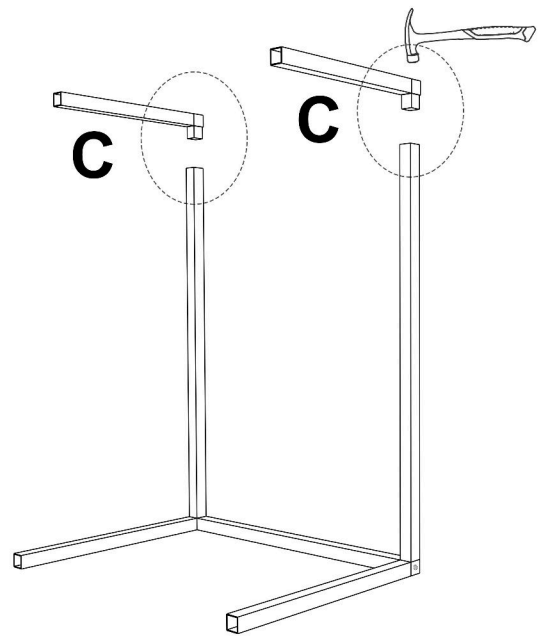


01

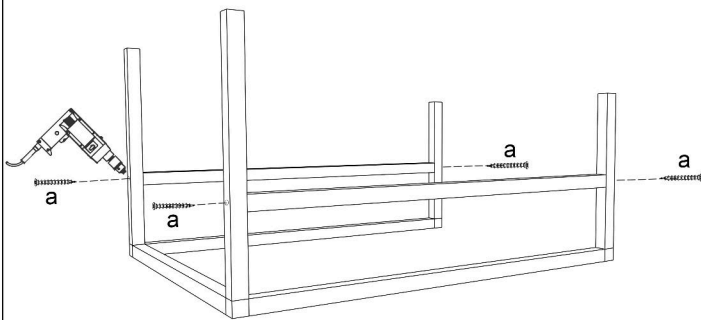


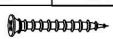
a	x2
	
M5x50	

02

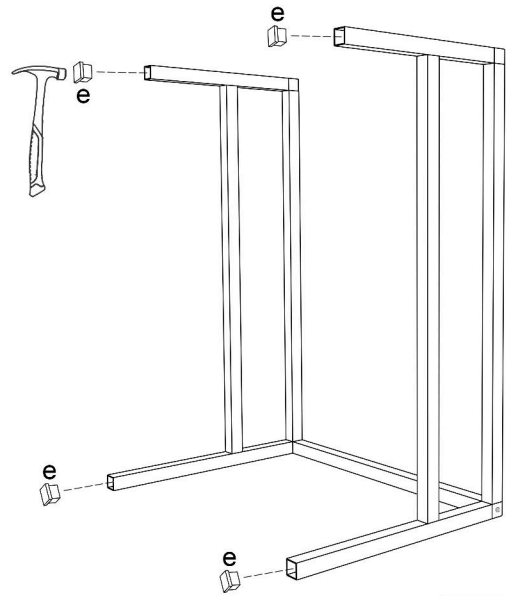



03



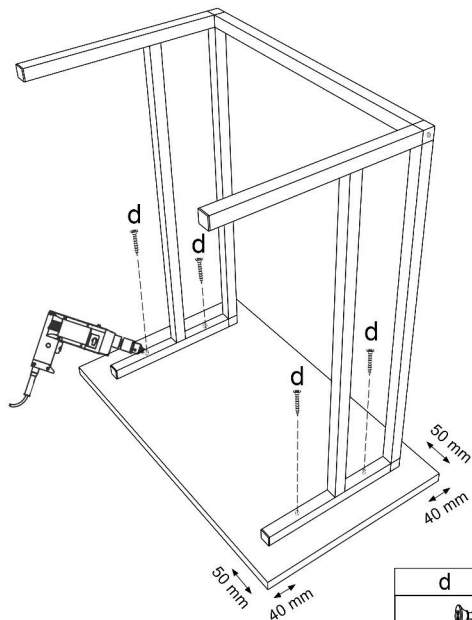
a	x4
	
M5x50	

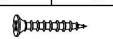
04



e	x4
	

05



d	x4
	
M4x35	