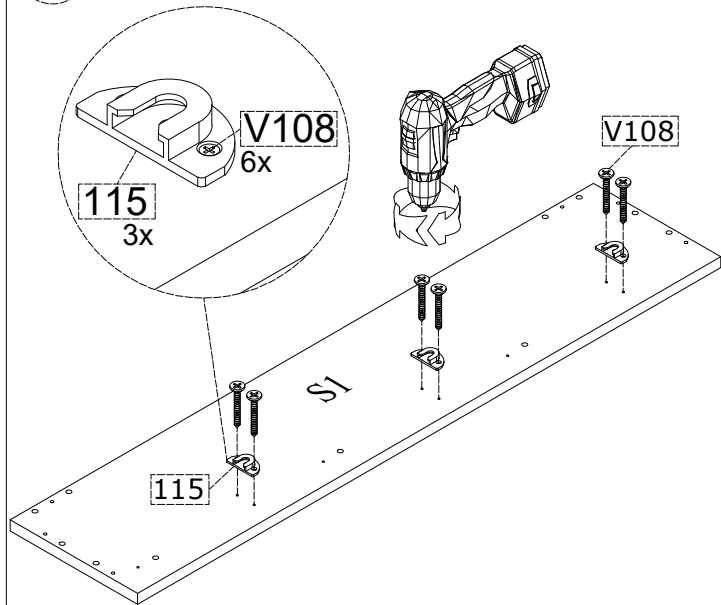


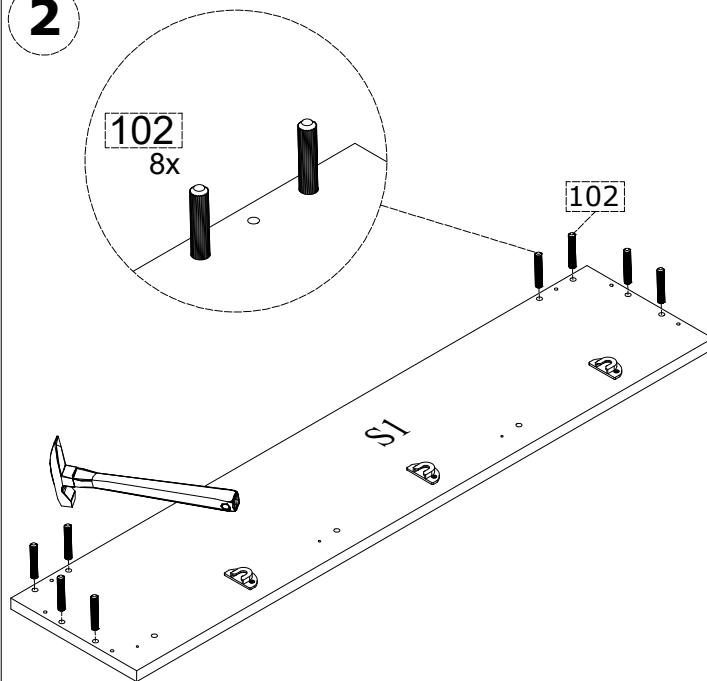
GP041-0029,2



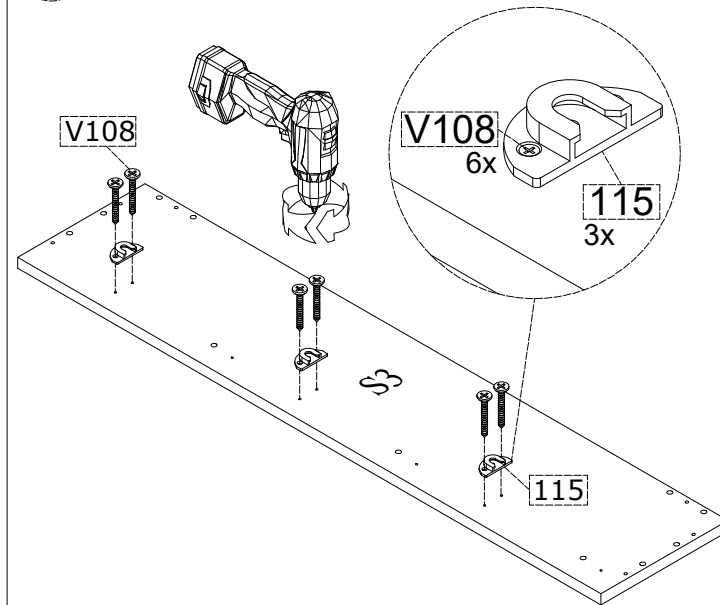
1



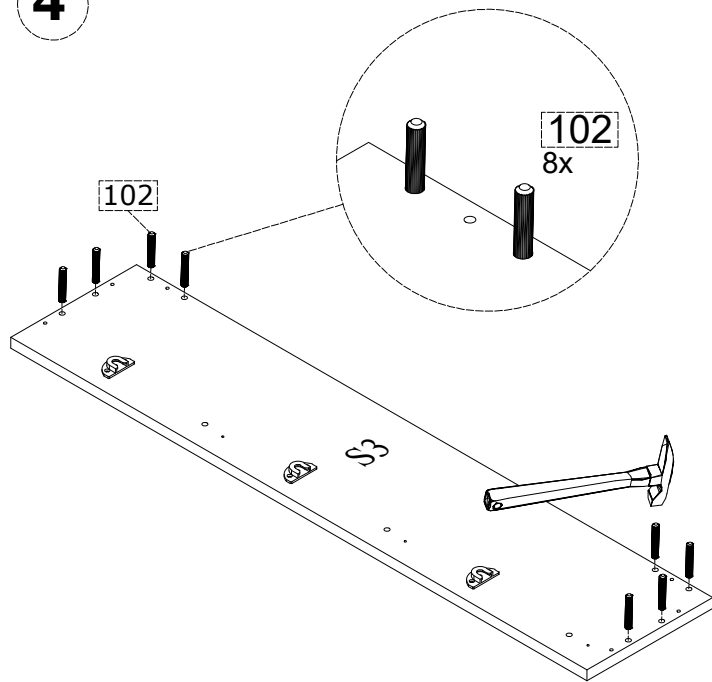
2



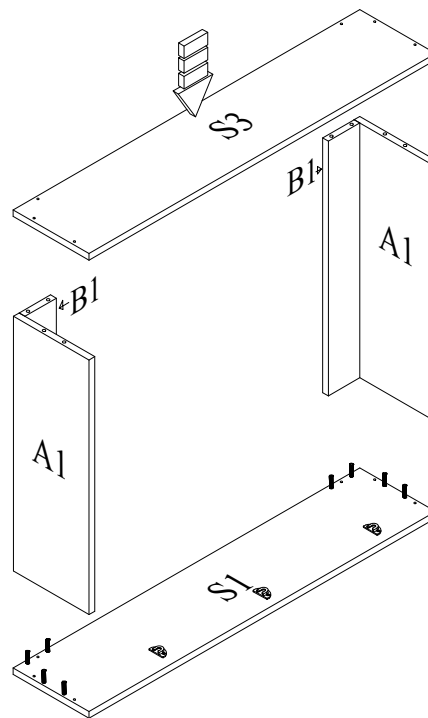
3



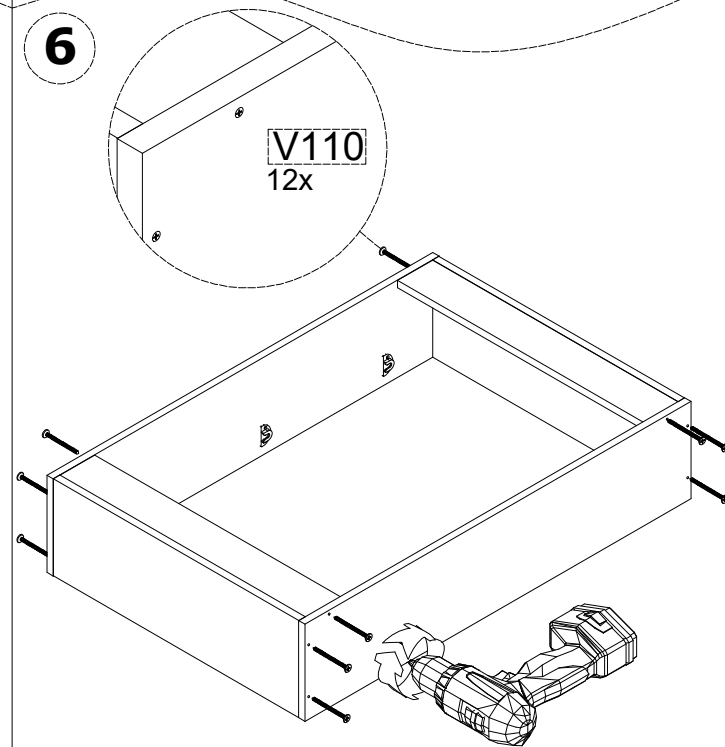
4



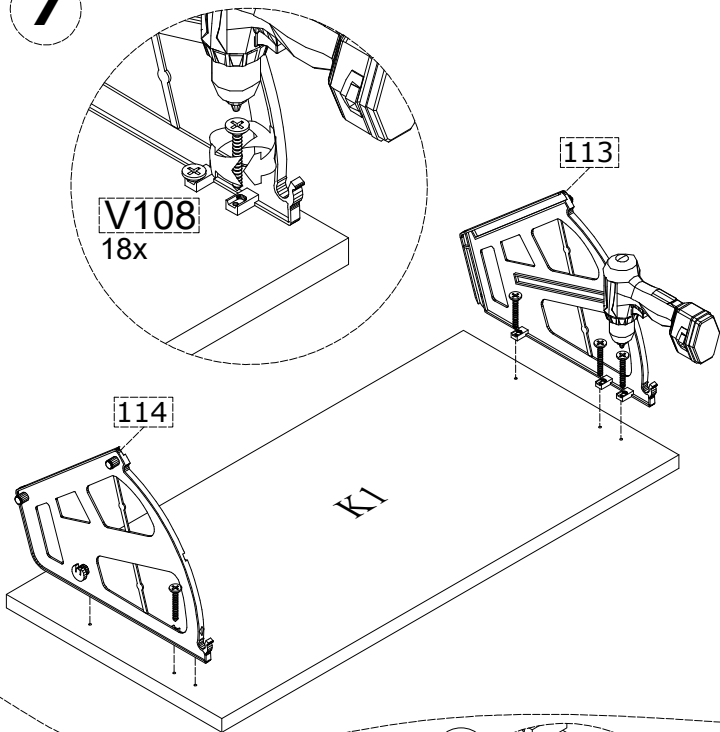
5



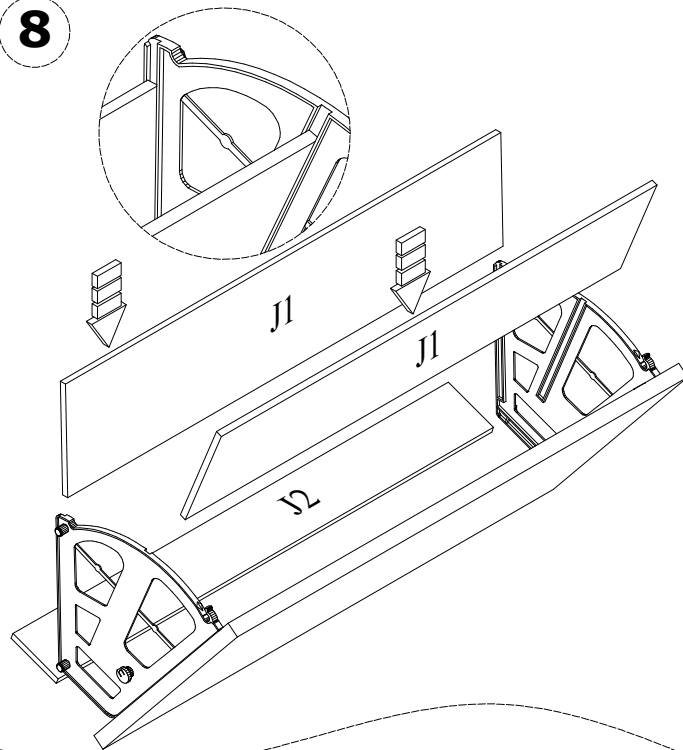
6



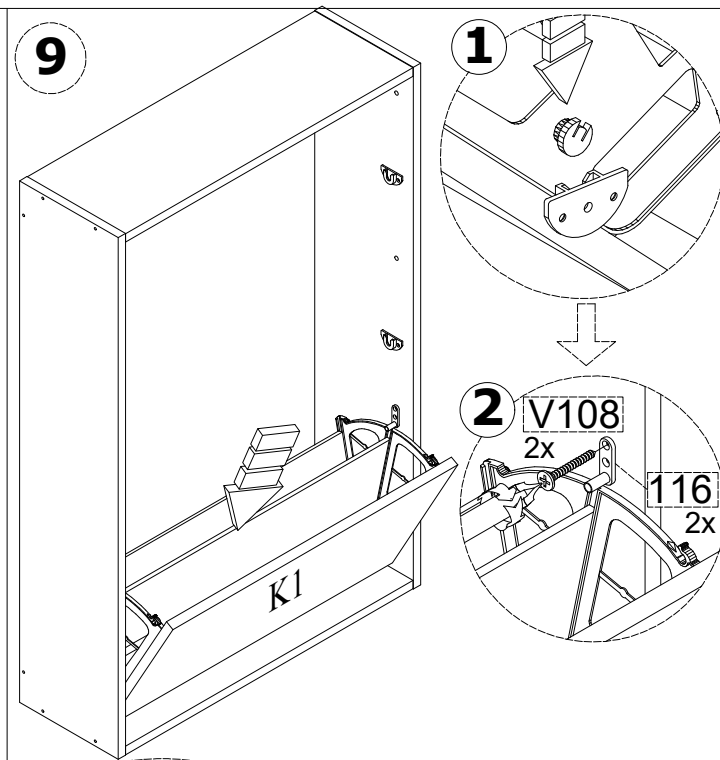
7



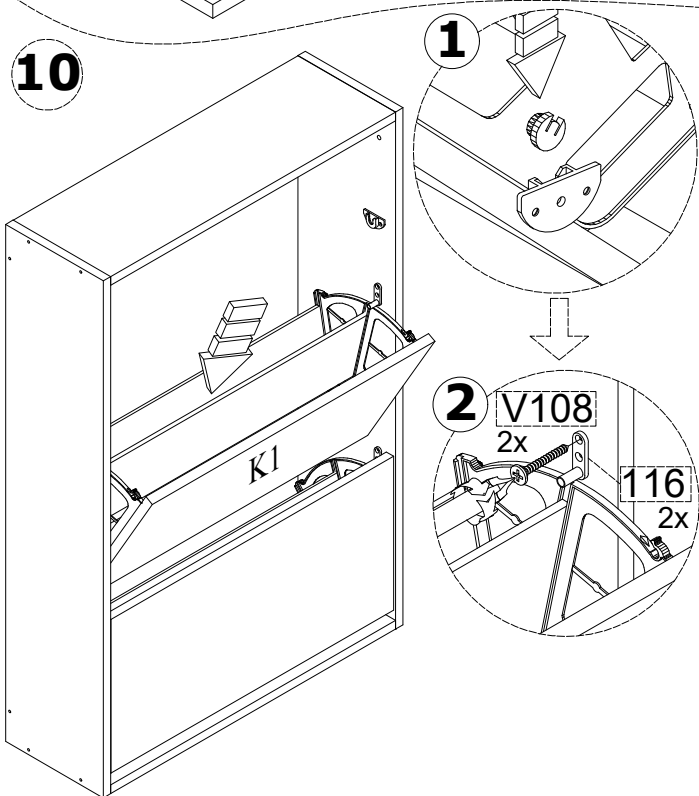
8



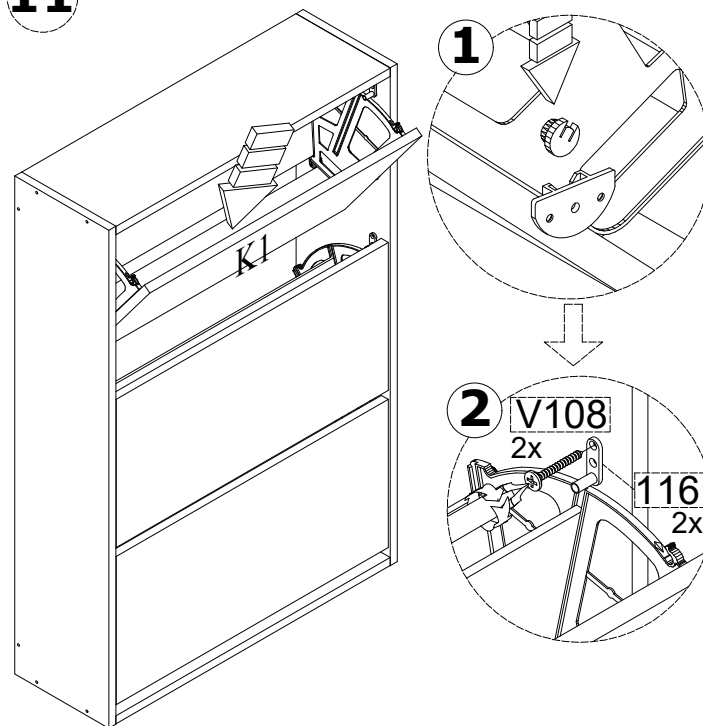
9



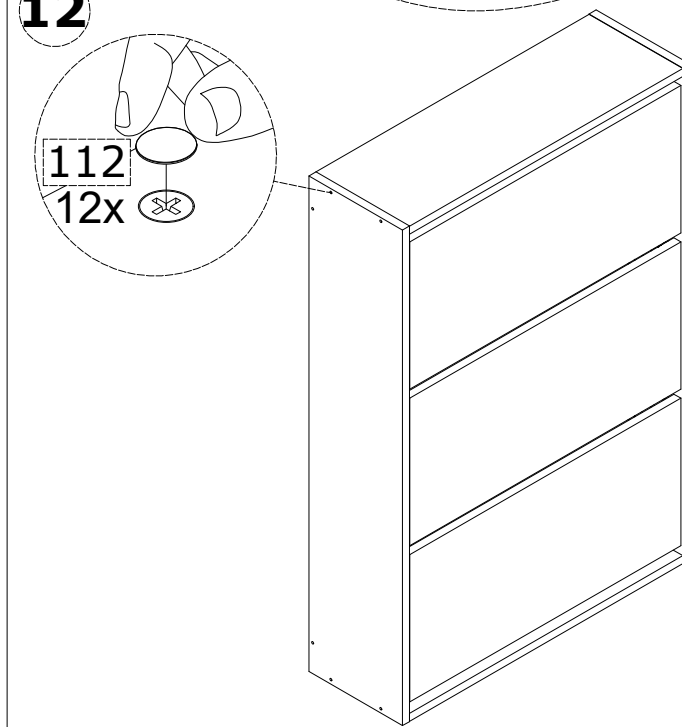
10



11

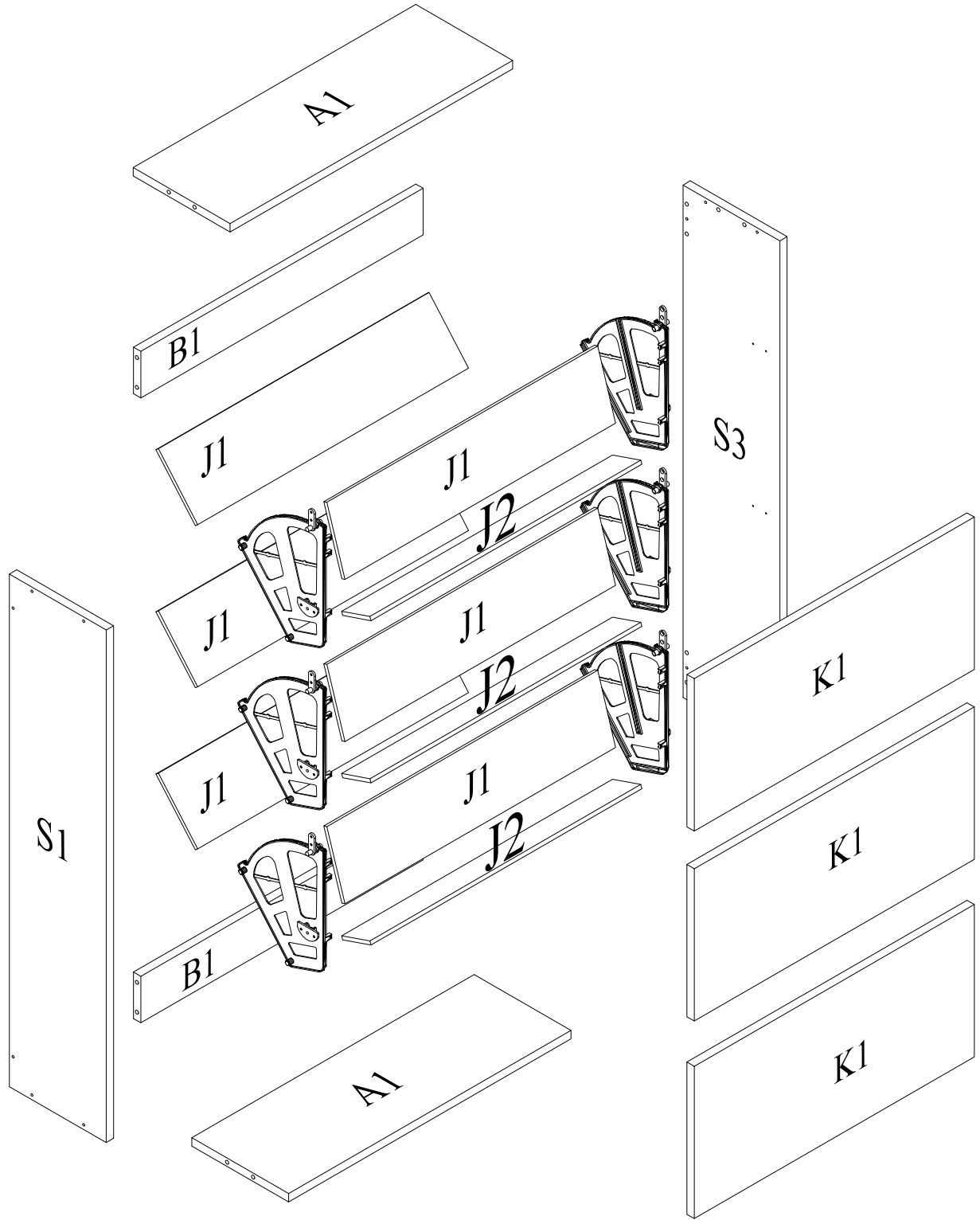
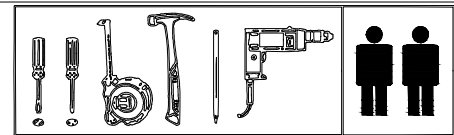


12

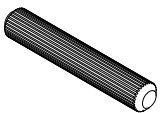


PKG1
K1
3X
J1
6X

PKG2
A
S1
1X
S3
1X
A1
2X
B1
2X
J2
3X



ACCESSORY NO: **102**
Ø8 x 34 PLASTIC
DOWEL



16 PCS

ACCESSORY NO: **V110**
3,5x50 CHIPBOARD
SCREW



12 PCS

ACCESSORY NO: **V108**
4x18 CHIPBOARD
SCREW



36 PCS

ACCESSORY NO: **112**
SCREW TAP



12 PCS

ACCESSORY NO: **113**
BIG MECHANISM
RIGHT



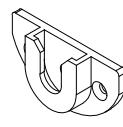
03 PCS

ACCESSORY NO: **114**
BIG MECHANISM
LEFT



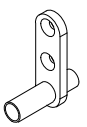
03 PCS

ACCESSORY NO: **115**
MECHANISM PART



06 PCS

ACCESSORY NO: **116**
DOOR LOCK PIN



06 PCS