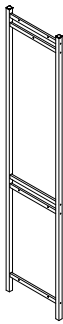
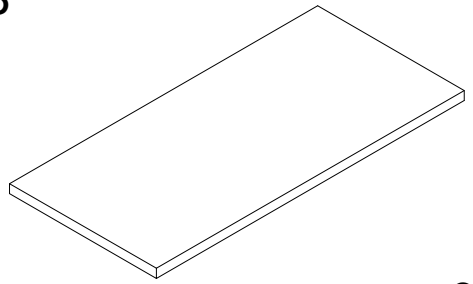
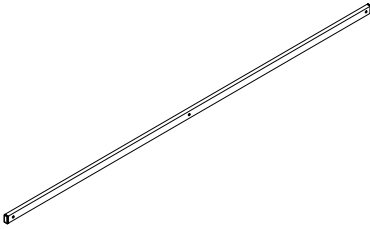
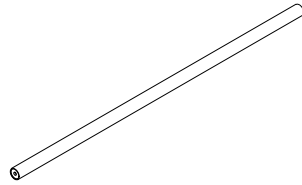
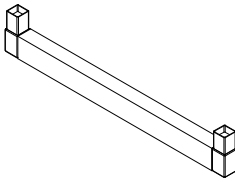


GP041-0027,2



A**x2****B****x3****C****x2****D****x1****E****x2****a** x12

4x35 YHB

b x1

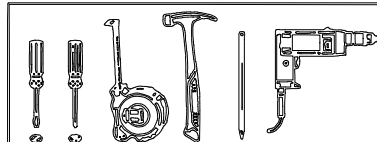
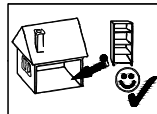
M6x30

c x4

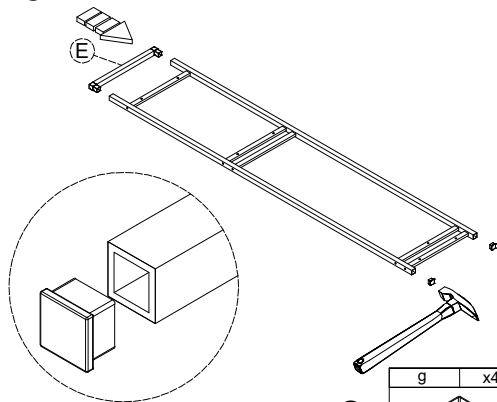
3.5x50 YHB

d x2

5x50 YHB

e x10**f** x1**g** x4

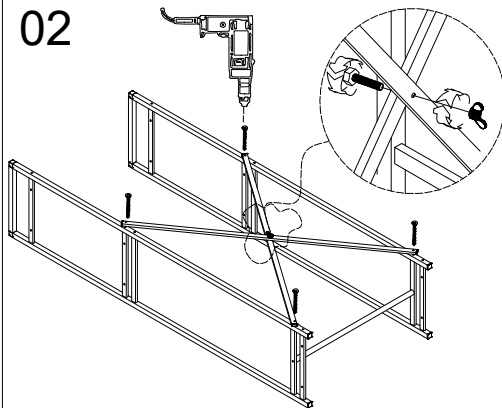
01



x2

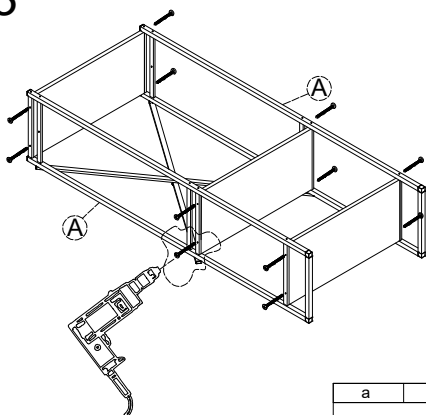
g	x4

02



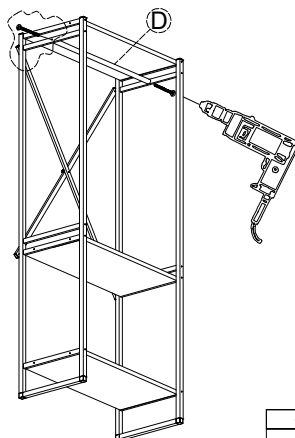
f	x1	b	x1	c	x4
		 M6x30		 3.5x50 YHB	

03



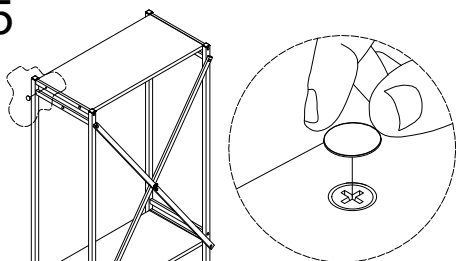
a	x12
 4x35 YHB	

04



d	x2
 5x50 YHB	

05



e	x10