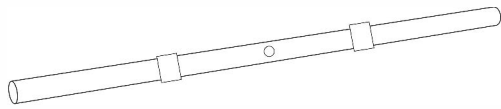


GP041-0021,3



A



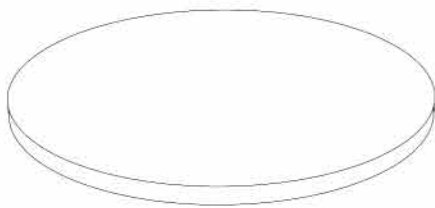
x4

B



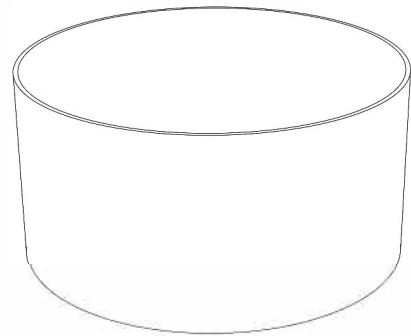
x4

C



x1

D



x1

a x2

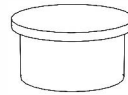


M6x30

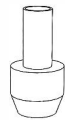
b x2



c x4



d x4



e x8



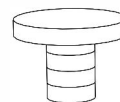
M5x50

f x4

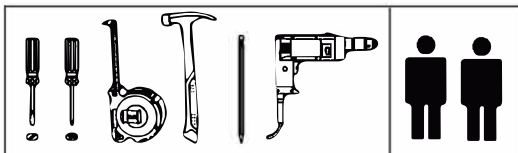
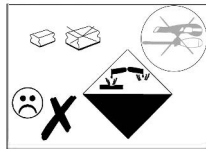
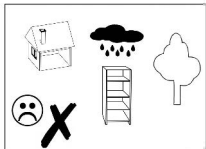
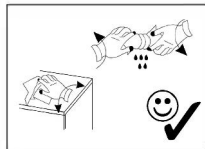
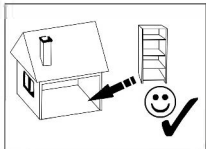


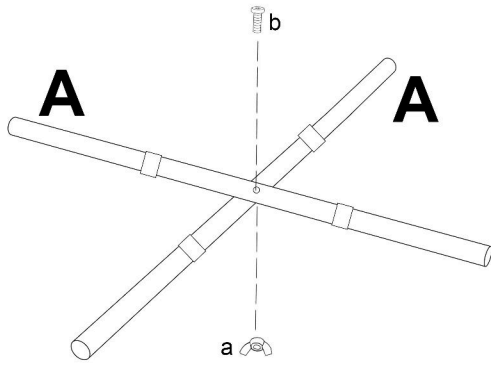
M4x30

g x4

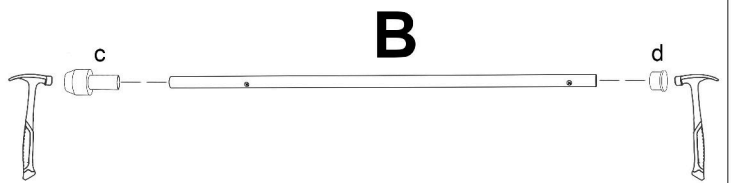


h x8

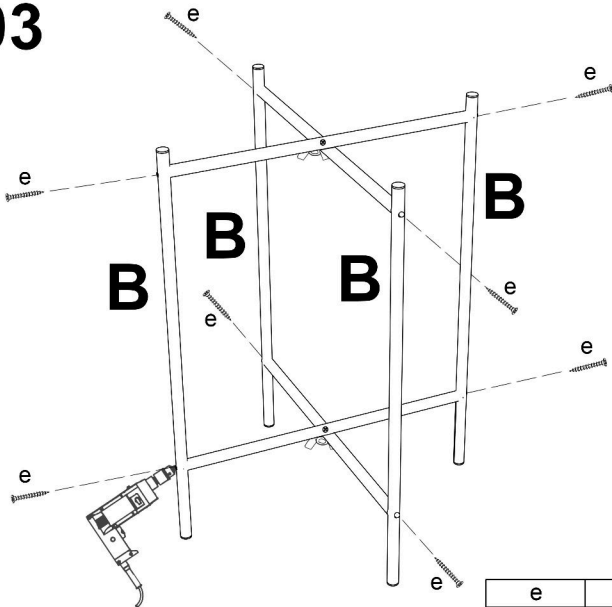


01**x2**

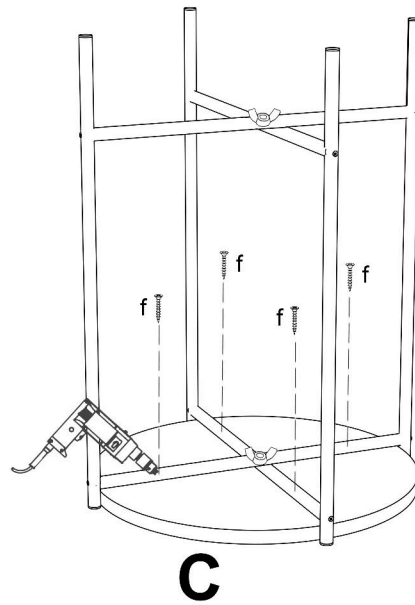
a	x1	b	x1
M6x30			

02**x4**

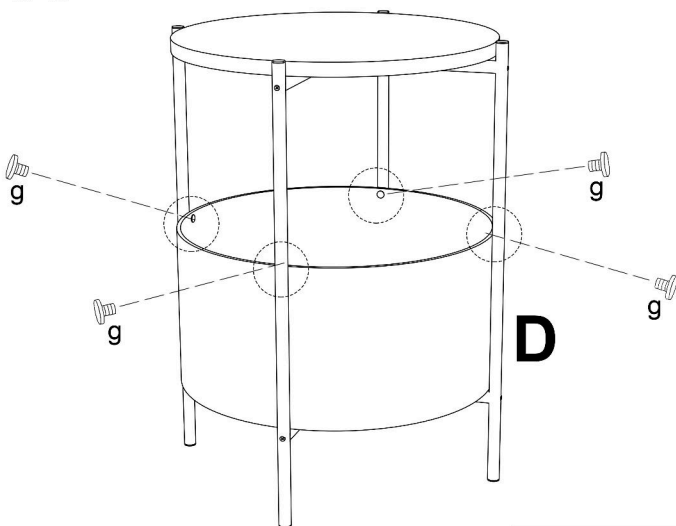
c	x4	d	x4

03

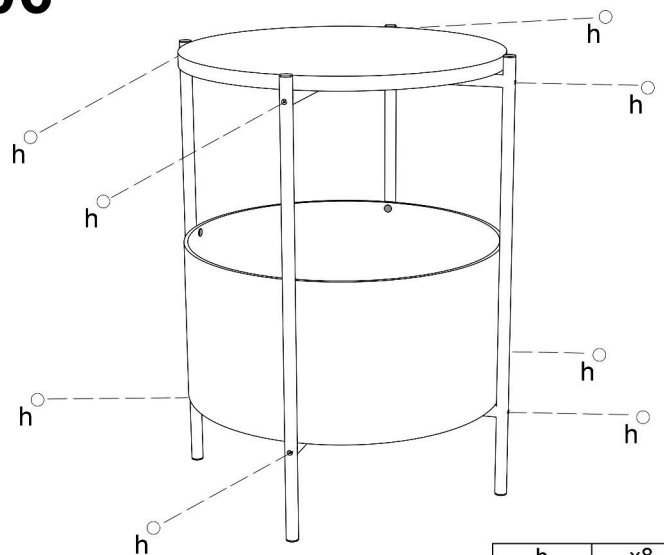
e	x8
M3.5x50	

04

f	x4
M4x30	

05

g	x4

06

h	x8