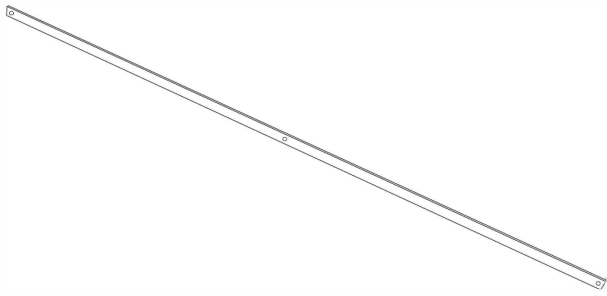
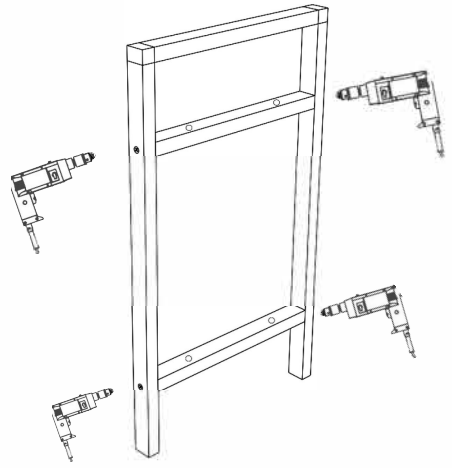
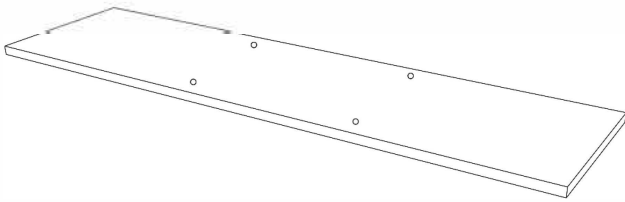
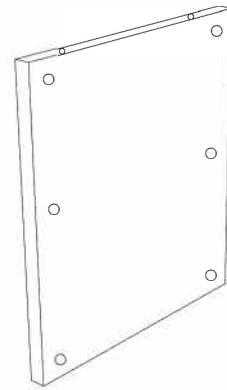
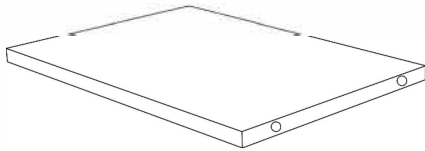
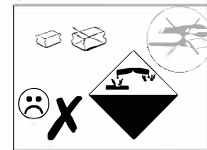
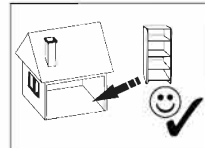
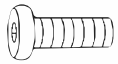
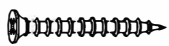
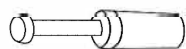
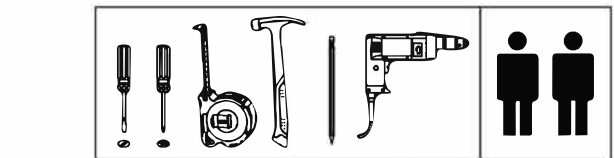
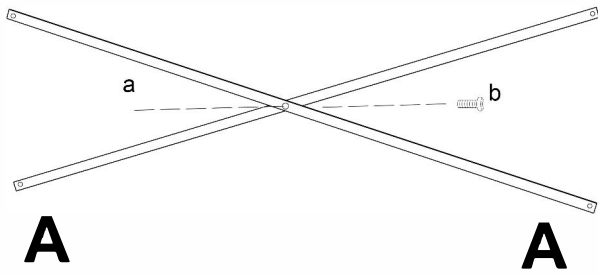


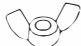

GP041-0019,3



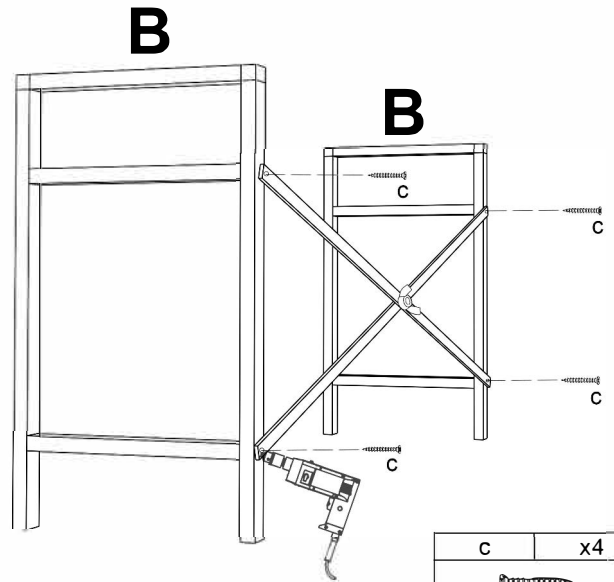
A**x2****B****x2****C****x2****D****x2****E****x1****a****x1****M6x30****b****x1****c****x4****M3.5x50****d****x8****e****x8****M4x35****f****x8****g****x4****h****x4****M4x18****i****x1****j****x4**

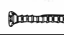
01



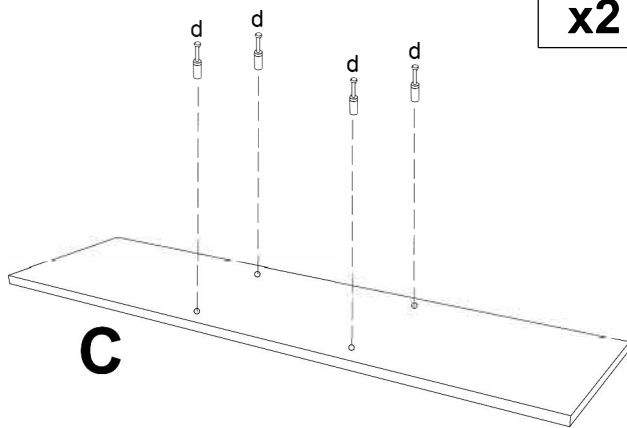
a	x1	b	x1
		 M6x30	

02




c	x4
 M3.5x50	

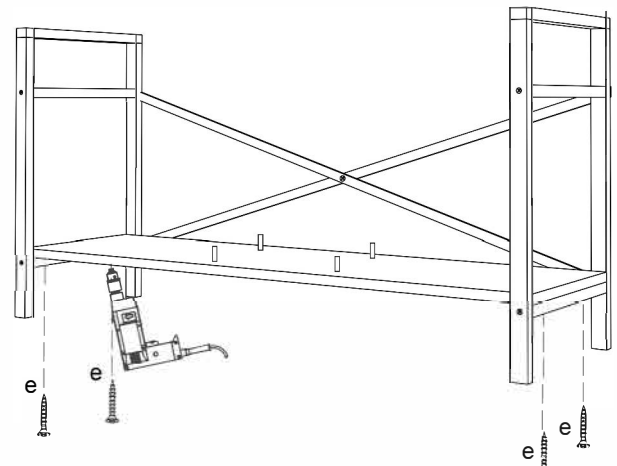
03

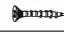


x2

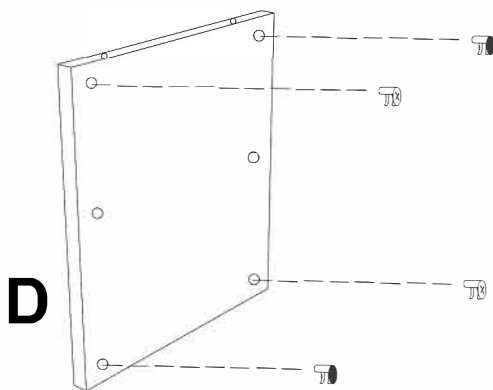
d	x8
	

04




e	x4
 M4x35	

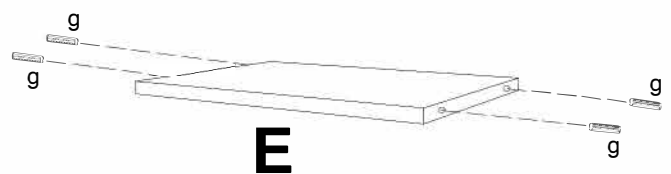
05




x2

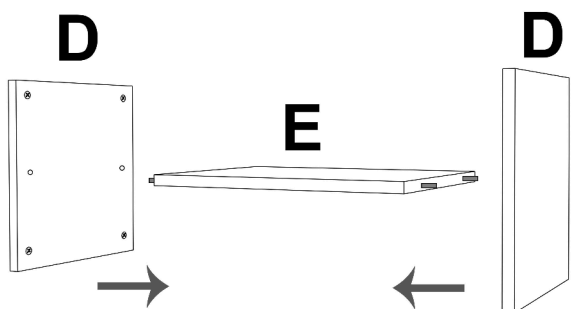
f	x8
	

06

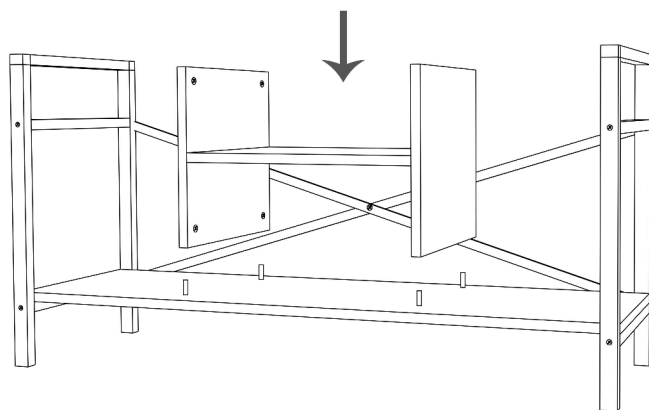


g	x4
	

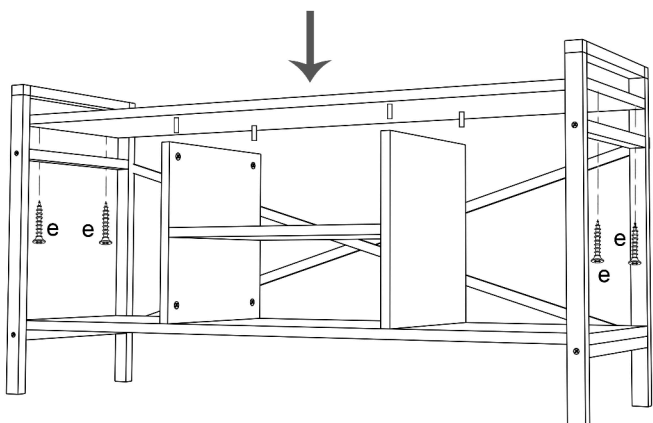
07



08

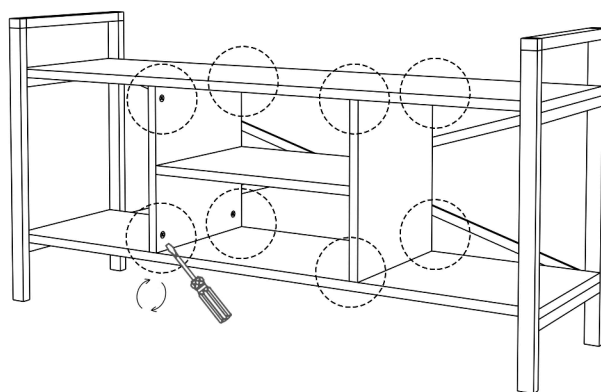


09

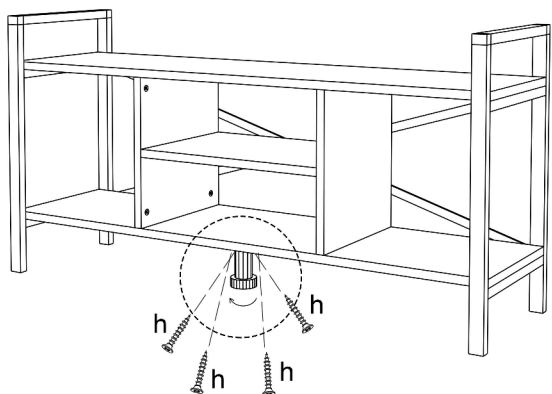


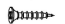

e	x4
	
M4x35	

10

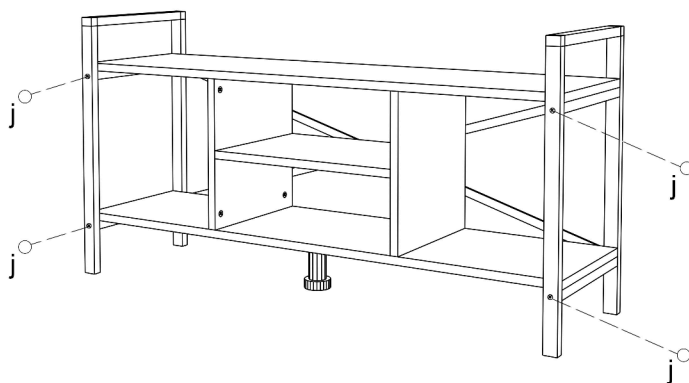


11



h	x4	i	x1
			
M4x18			

12



j	x4
