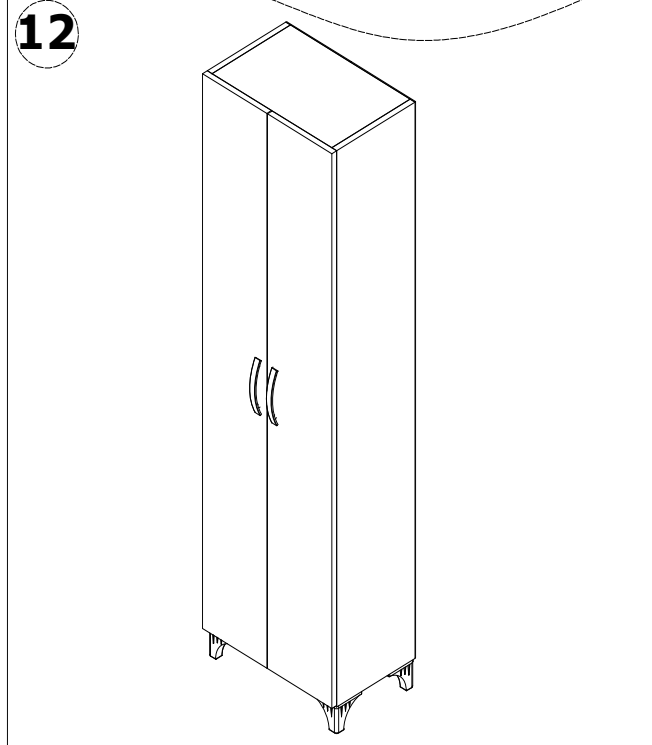
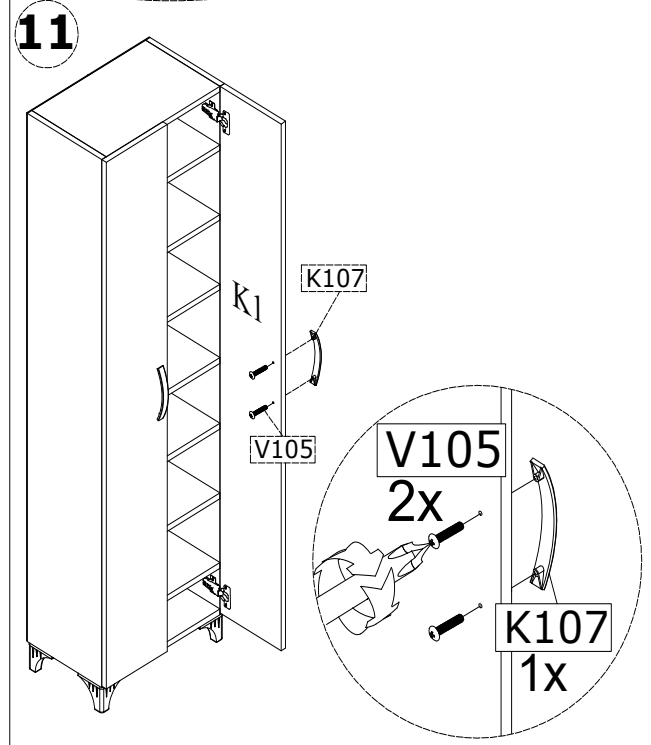
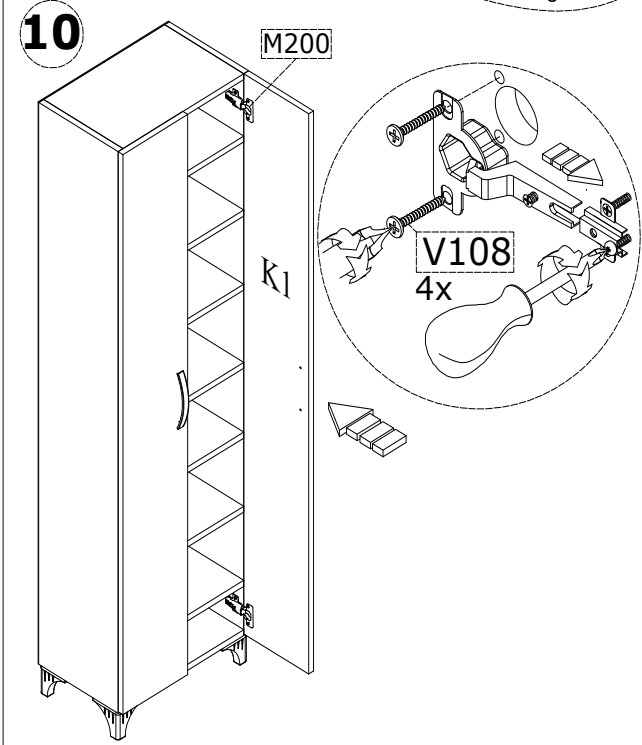
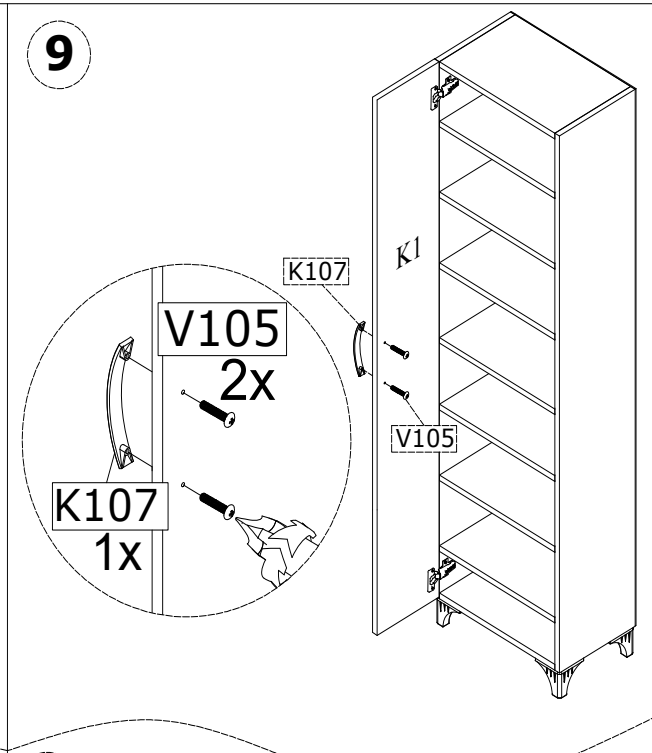
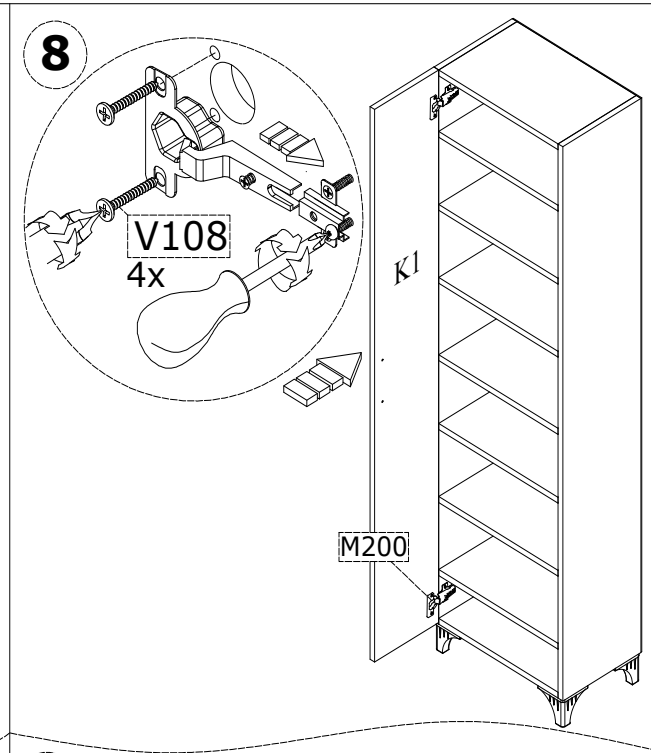
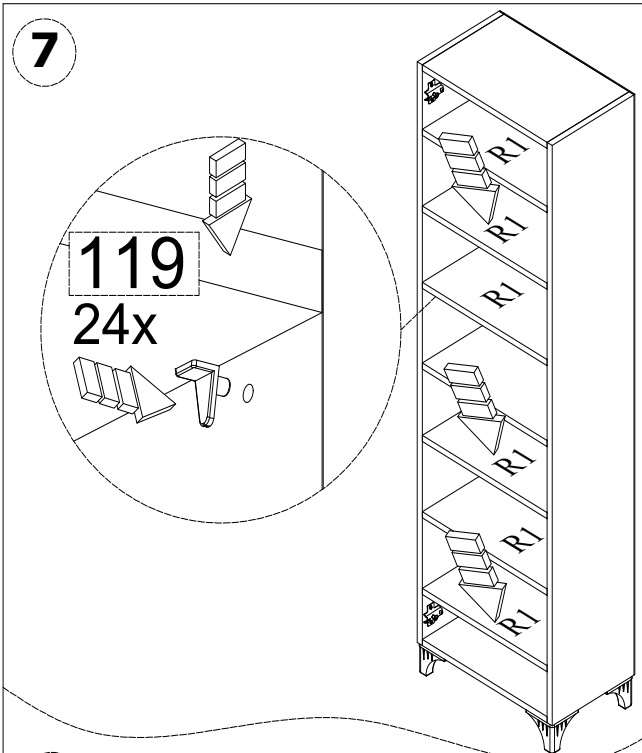
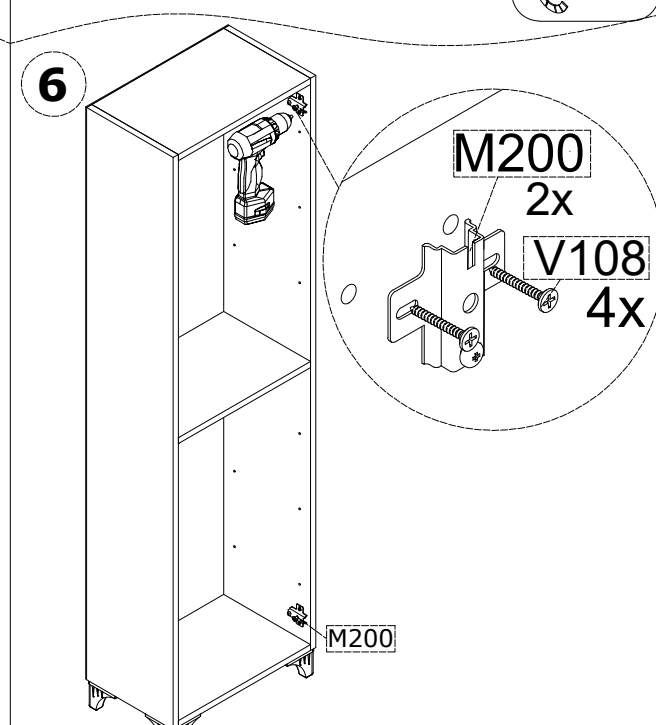
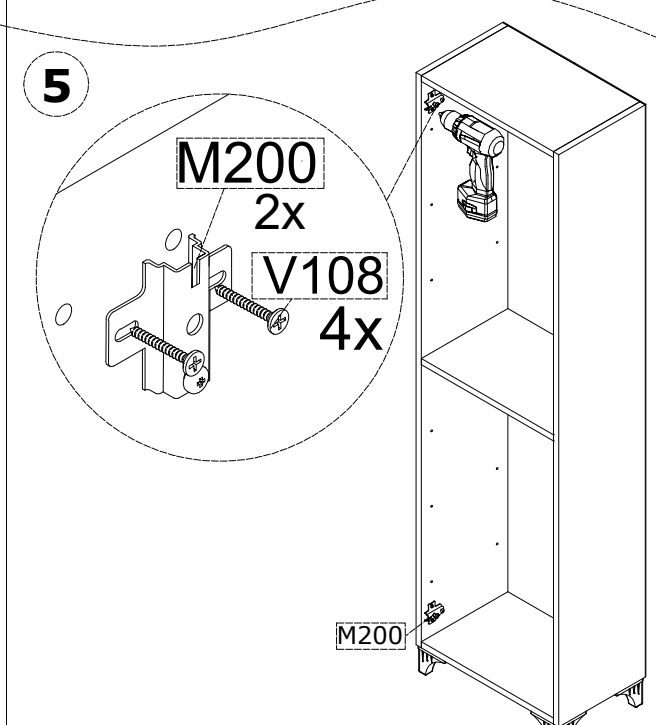
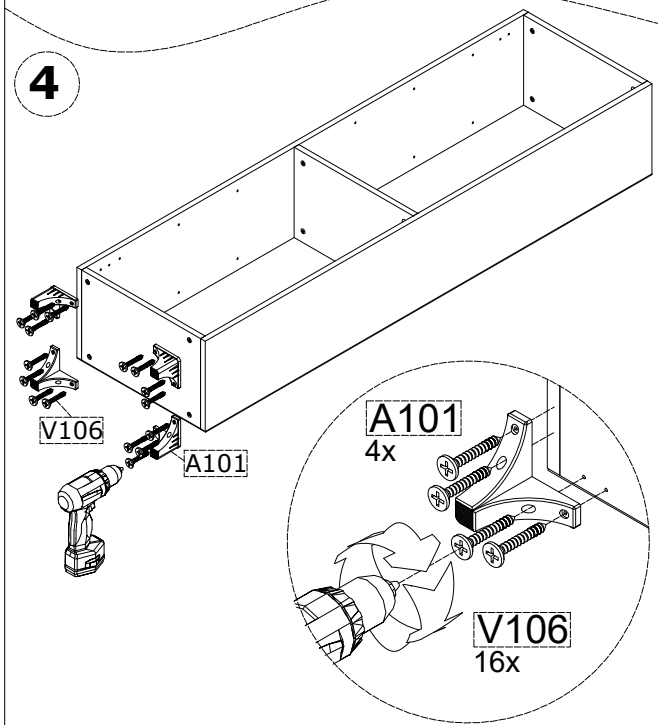
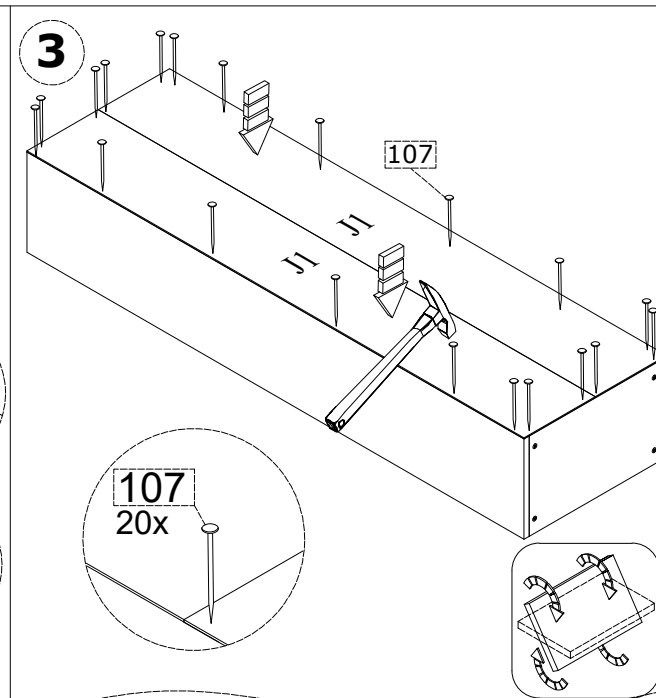
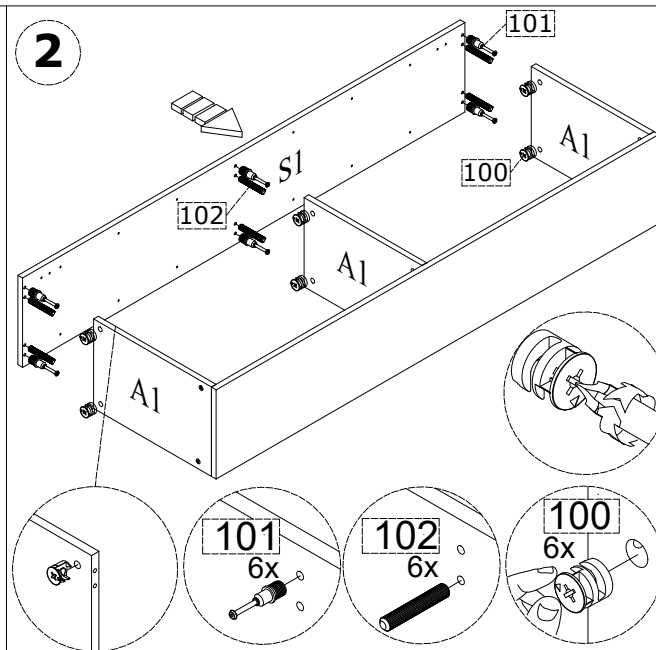
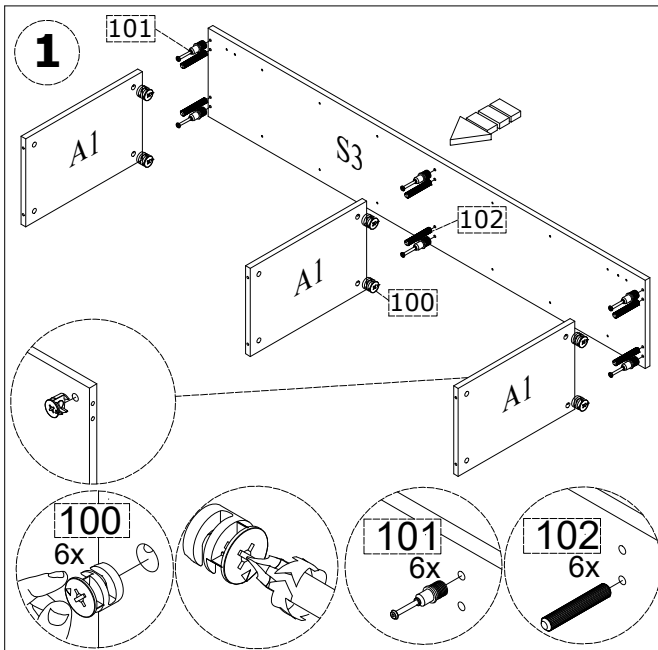


**GP041-0015,1**

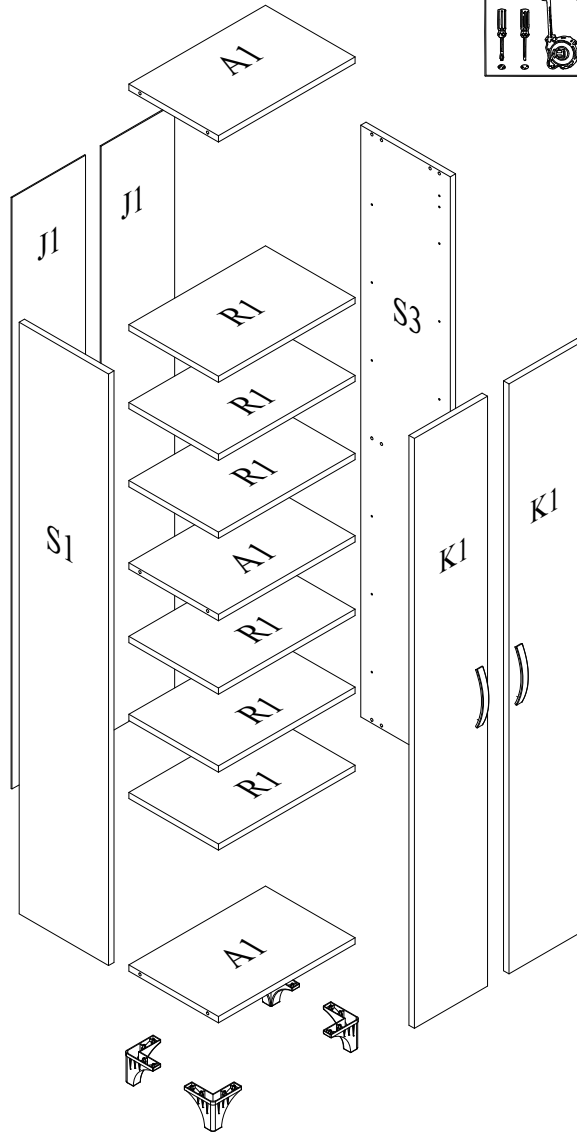
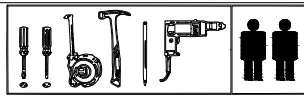





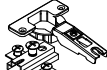
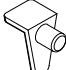




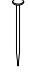
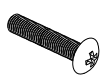




PKG1  
A1  
3X  
R1  
6X

PKG2  
K1  
2X  
S1  
1X  
S3  
1X  
J1  
2X



<p>ACCESSORY NO:100</p> <p>MINIFIX BODY</p>  <p>12 PCS</p>	<p>ACCESSORY NO:101</p> <p>MINIFIX SPINDLE</p>  <p>12 PCS</p>	<p>ACCESSORY NO:102</p> <p>Ø8 x 34 PLASTIC DOWEL</p>  <p>12 PCS</p>	<p>ACCESSORY NO:M200</p> <p>HINGE HINGE COUNTERPARTS</p>  <p>04 PCS</p>	<p>ACCESSORY NO:119</p> <p>SHELF PIN</p>  <p>24 PCS</p>	<p>ACCESSORY NO:K107</p> <p>HANDLE 128 MM</p>  <p>2 PCS</p>	<p>ACCESSORY NO:A101</p> <p>LEG 77 MM</p>  <p>4 PCS</p>	<p>ACCESSORY NO:V108</p> <p>4x18 CHIPBOARD SCREW</p>  <p>16 PCS</p>
<p>ACCESSORY NO:V106</p> <p>4 x 25 CHIPBOARD SCREW</p>  <p>16 PCS</p>	<p>ACCESSORY NO:107</p> <p>NAIL</p>  <p>20 PCS</p>	<p>ACCESSORY NO:V105</p> <p>M4x21 HANDLE SCREW</p>  <p>04 PCS</p>					