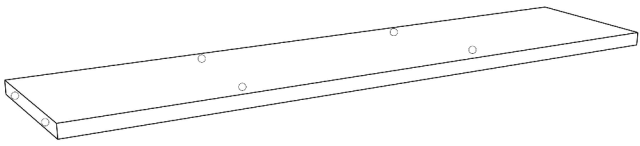


GP041-0009,4

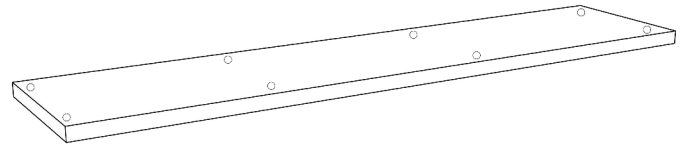


A



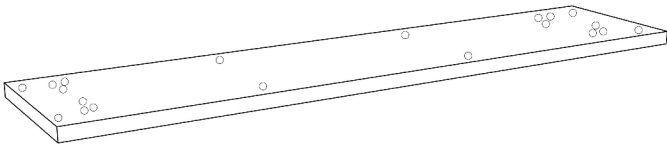
x4

B



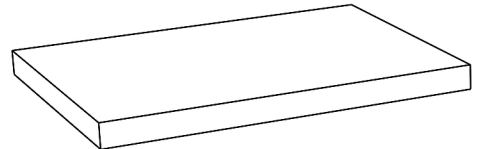
x1

C



x1

D

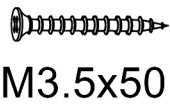


x6

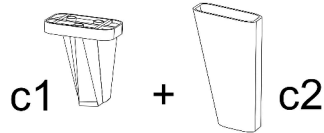
a x16



b x16



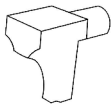
c x4



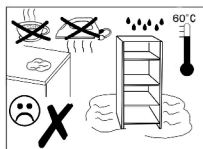
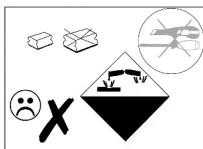
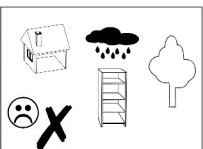
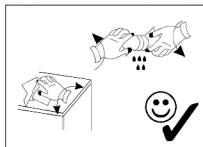
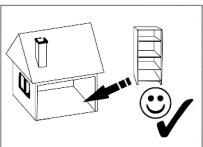
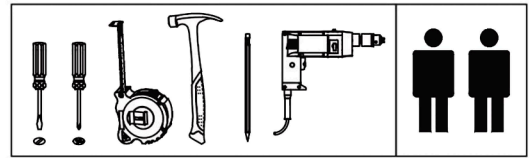
d x12



e x24

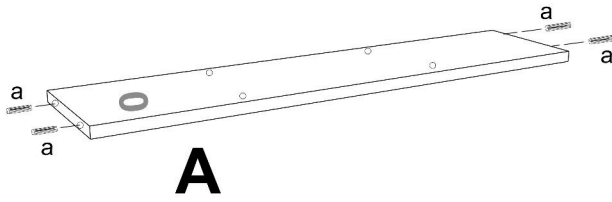


f x8



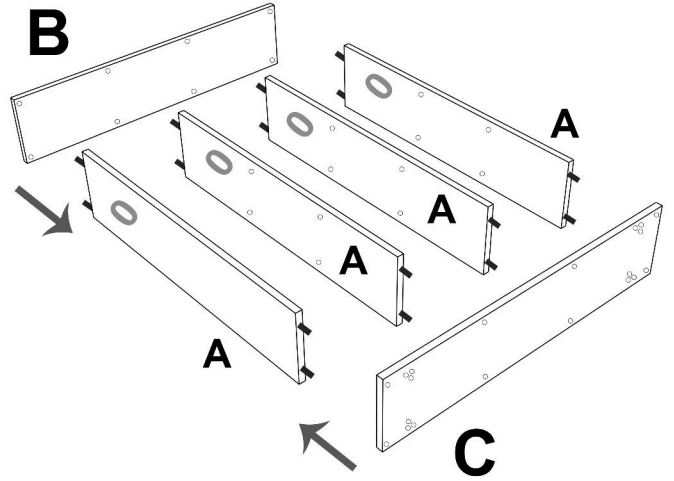
01

x4

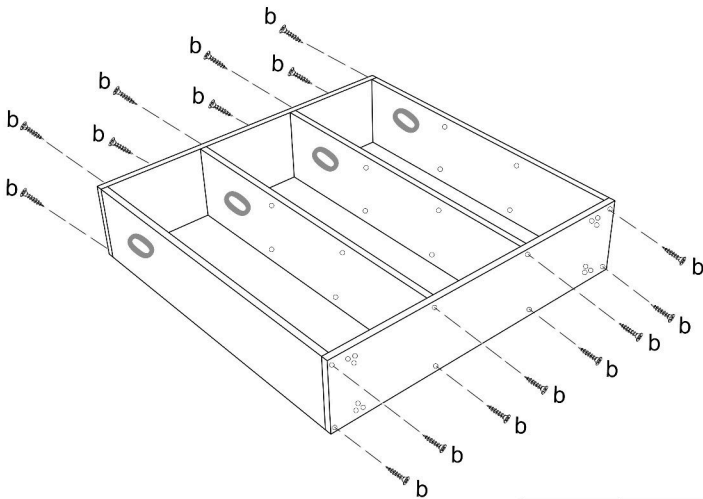


a	x16

02

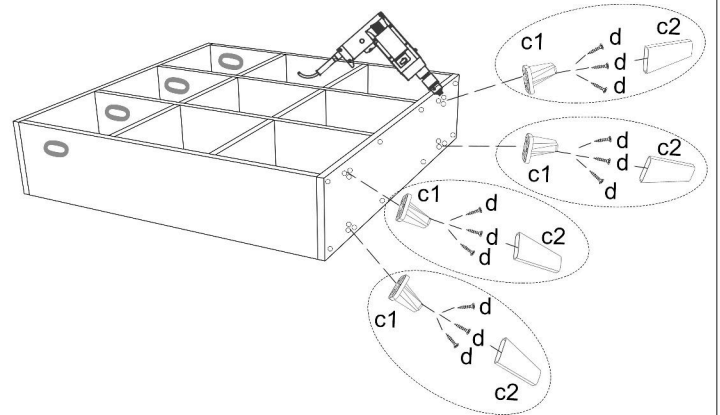


03



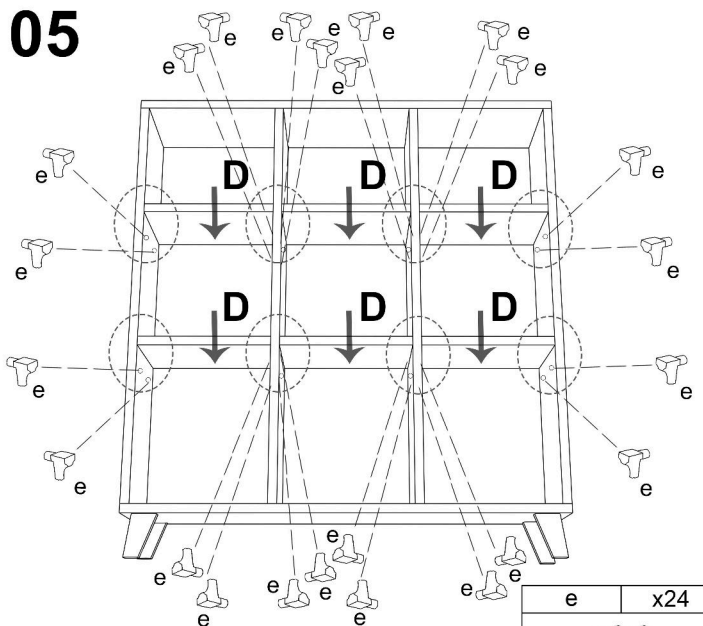
b	x16
M3.5x50	

04



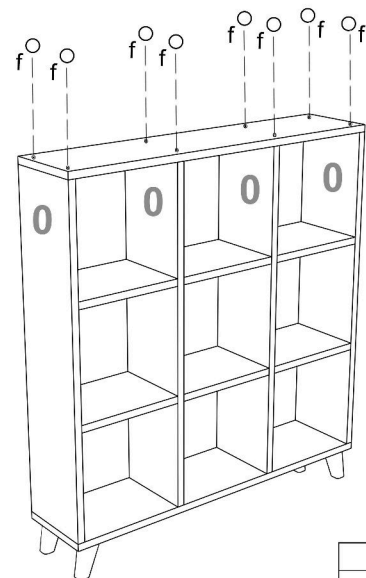
c	x4	d	x12
c1 +		M4x25	

05



e	x24

06



f	x8