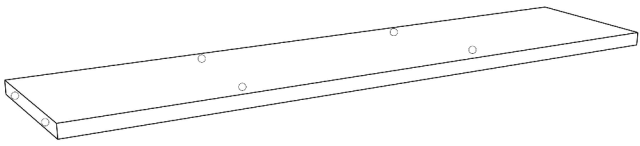


**GP041-0009,2**

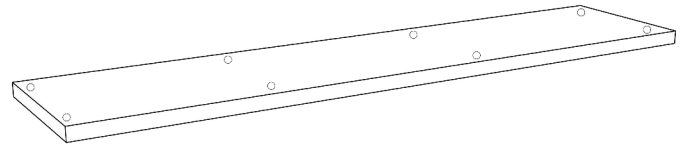


**A**



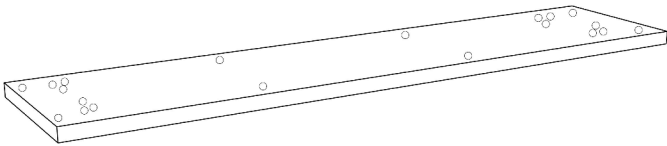
**x4**

**B**



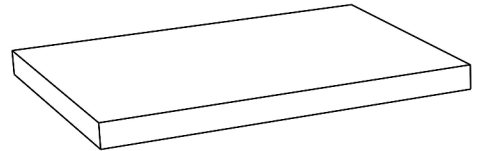
**x1**

**C**



**x1**

**D**

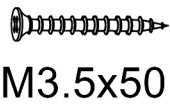


**x6**

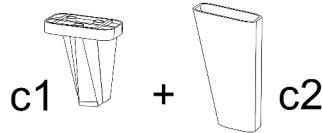
a x16



b x16



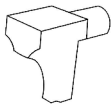
c x4



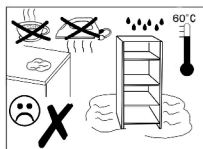
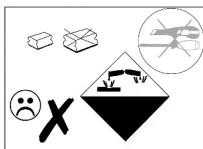
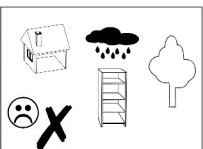
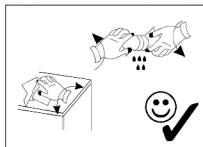
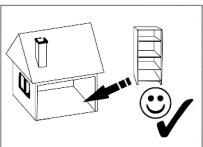
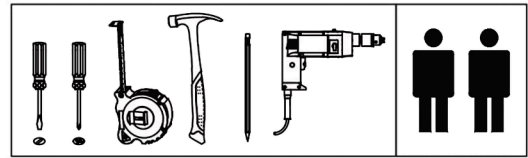
d x12



e x24

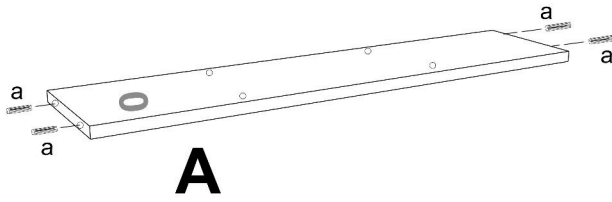


f x8



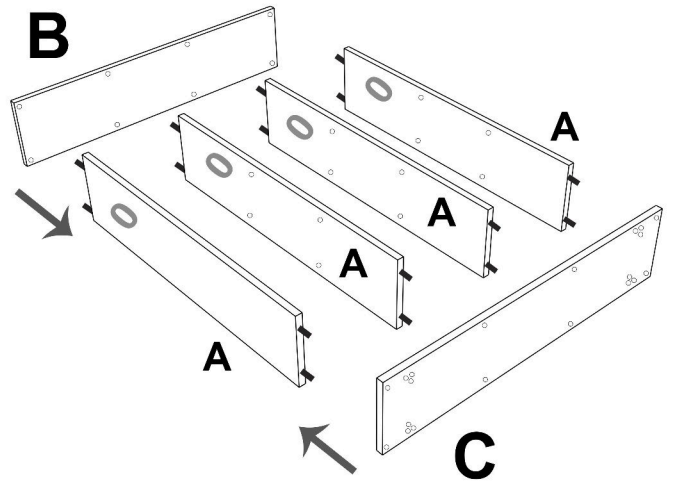
# 01

x4

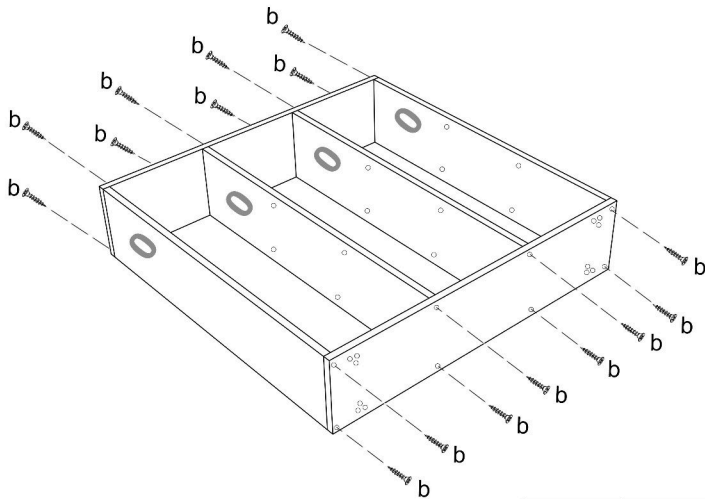


a	x16

# 02

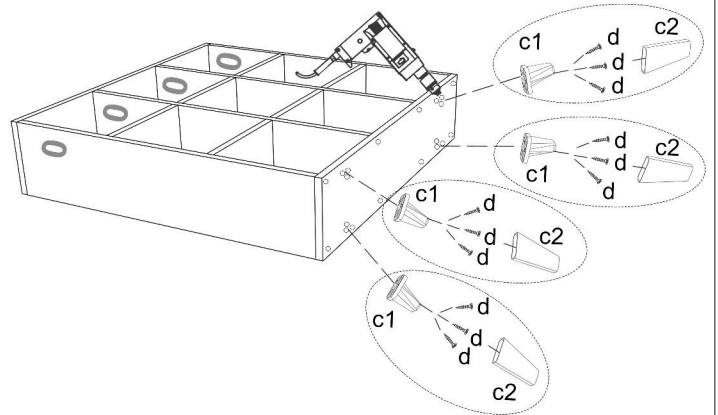


# 03



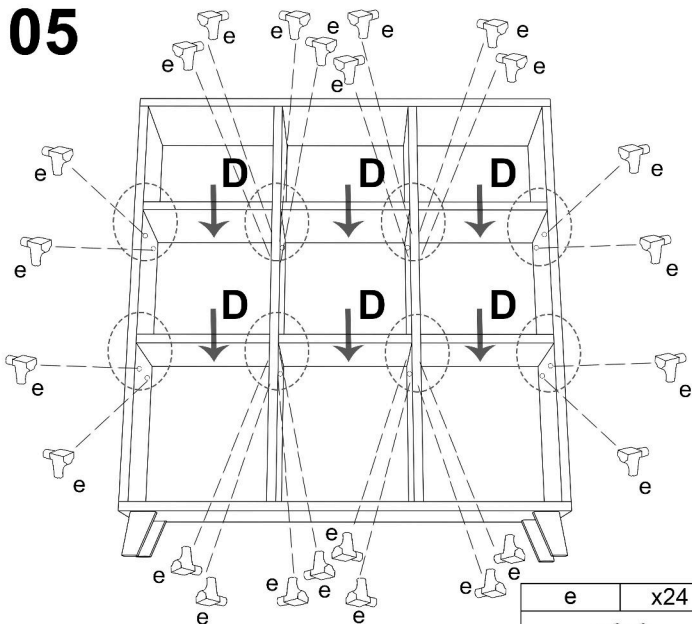
b	x16
M3.5x50	

# 04



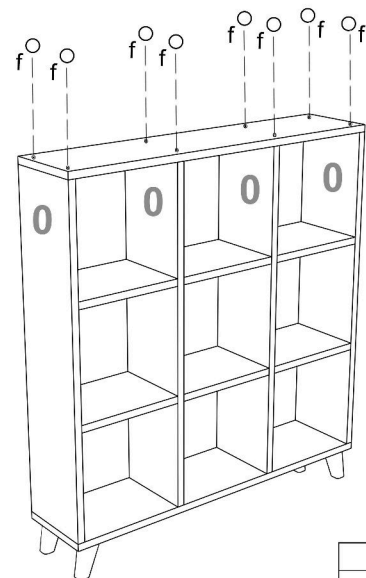
c	x4	d	x12
c1 +		M4x25	

# 05



e	x24

# 06



f	x8