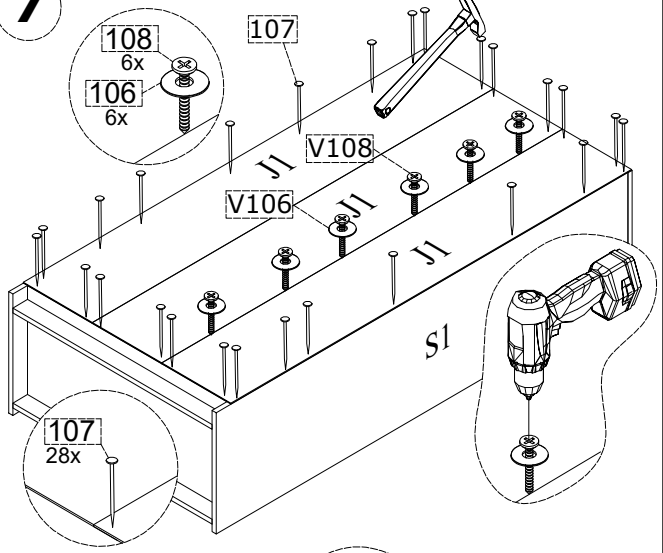


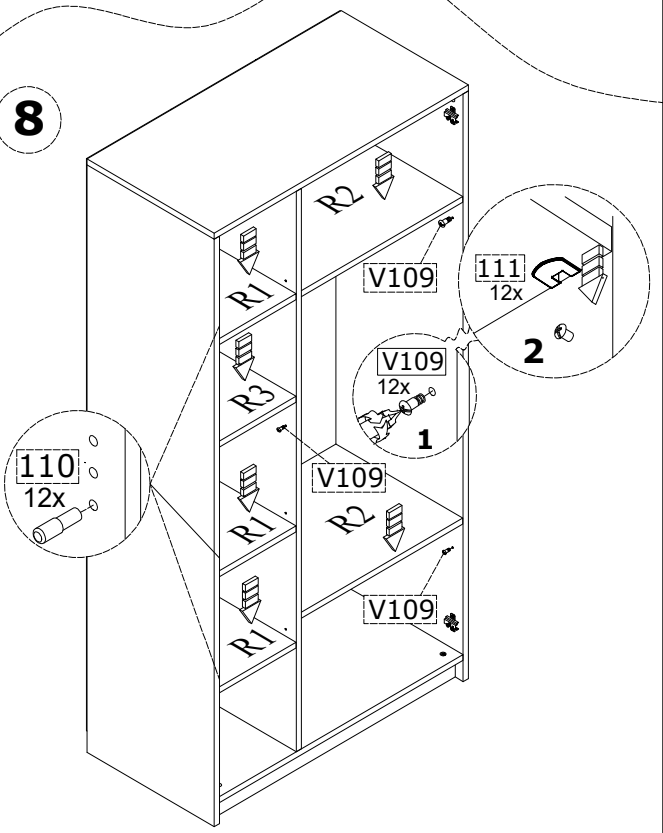
GP041-0005,3



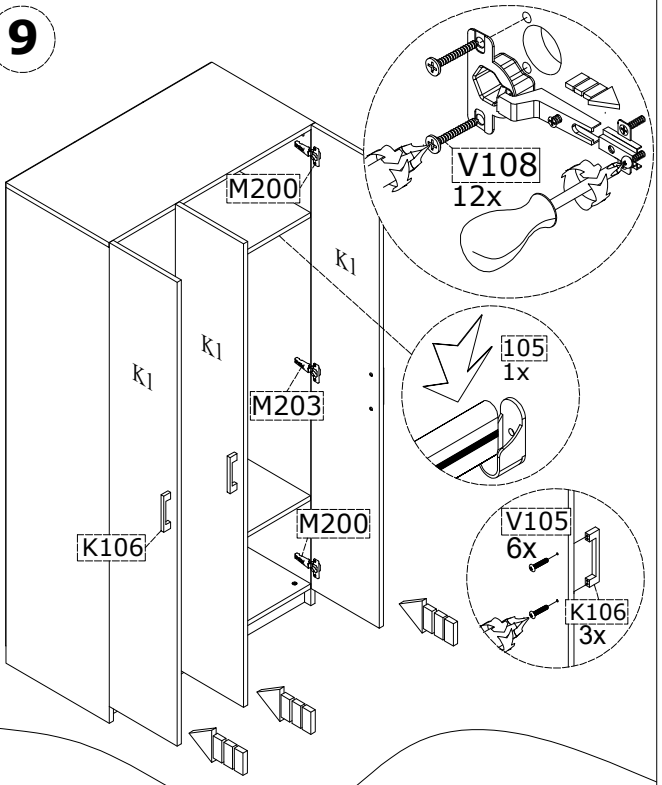
7



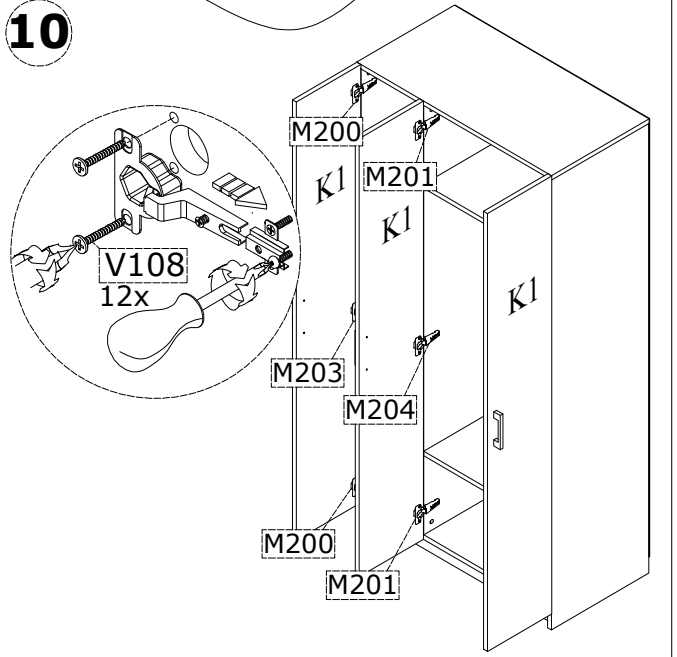
8



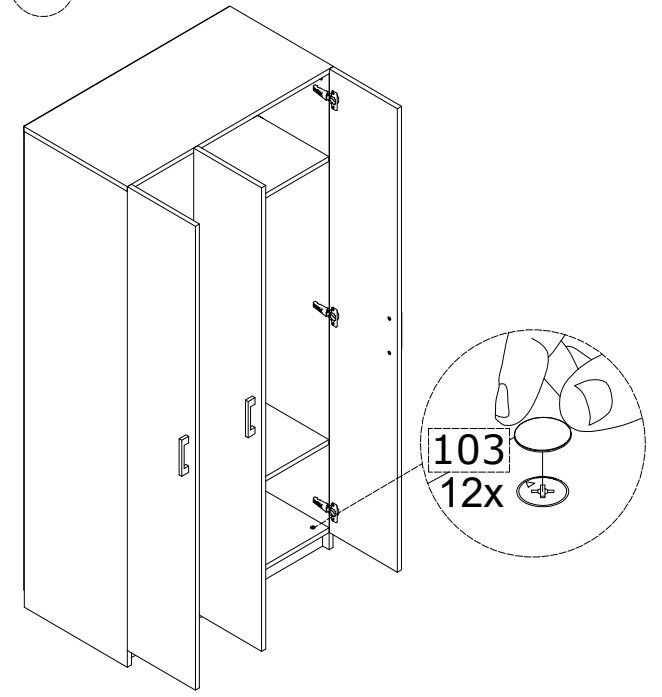
9



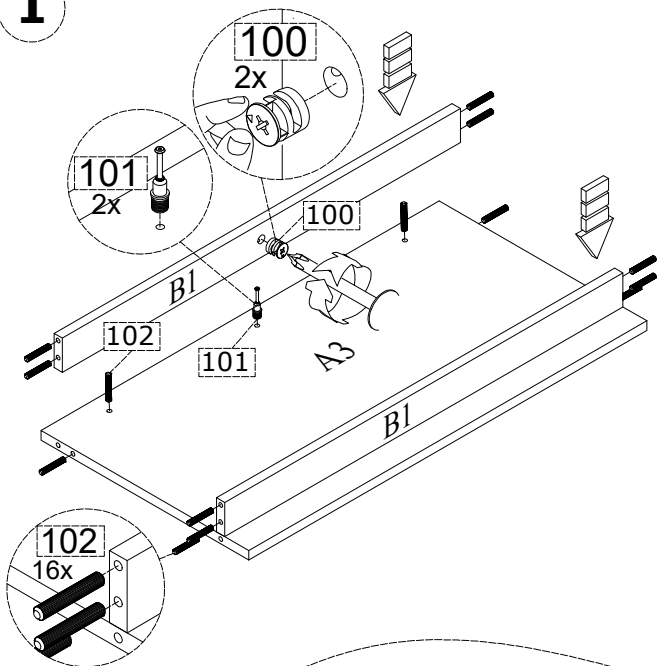
10



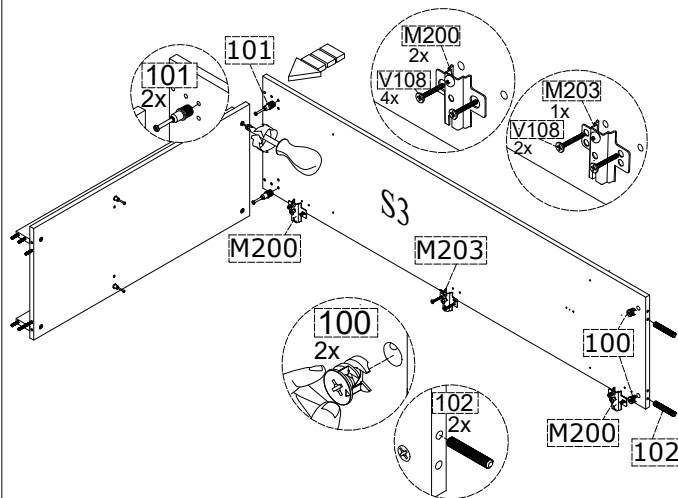
11



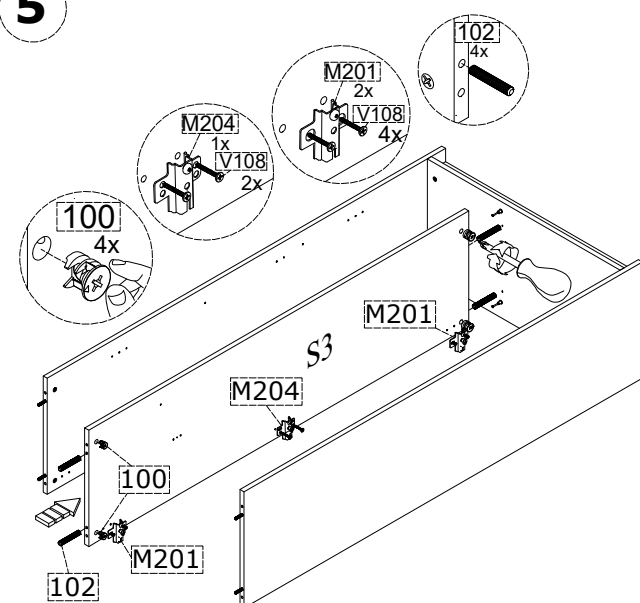
1



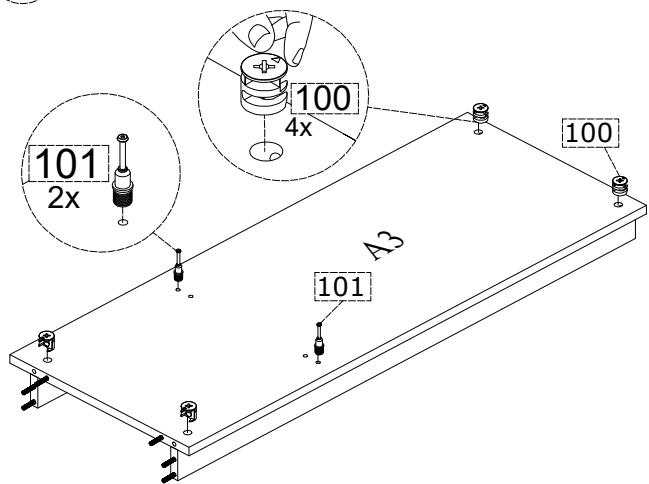
3



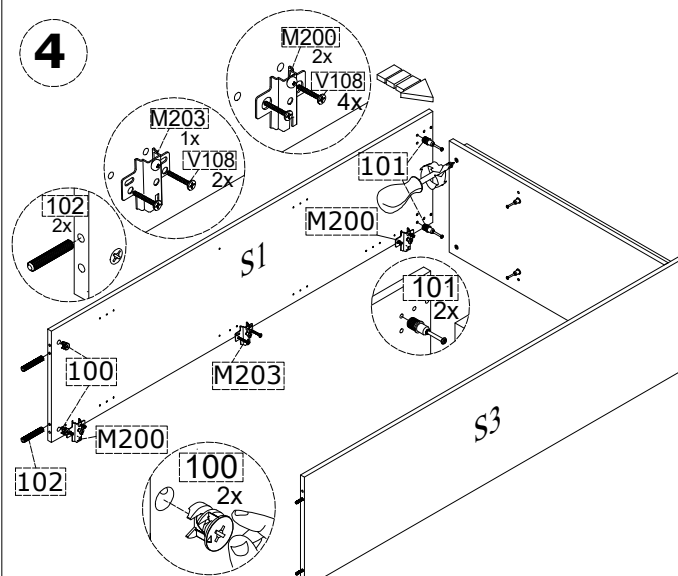
5



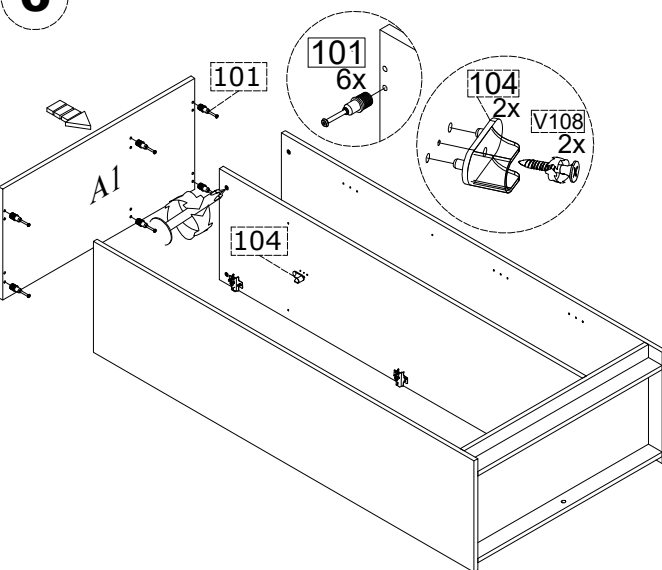
2



4



6



PKG1

A

A1

1X

A3

1X

R1

3X

R3

1X

R2

2X

B1

2X

105

1X

PKG2

S3

1X

S1

1X

S2

1X

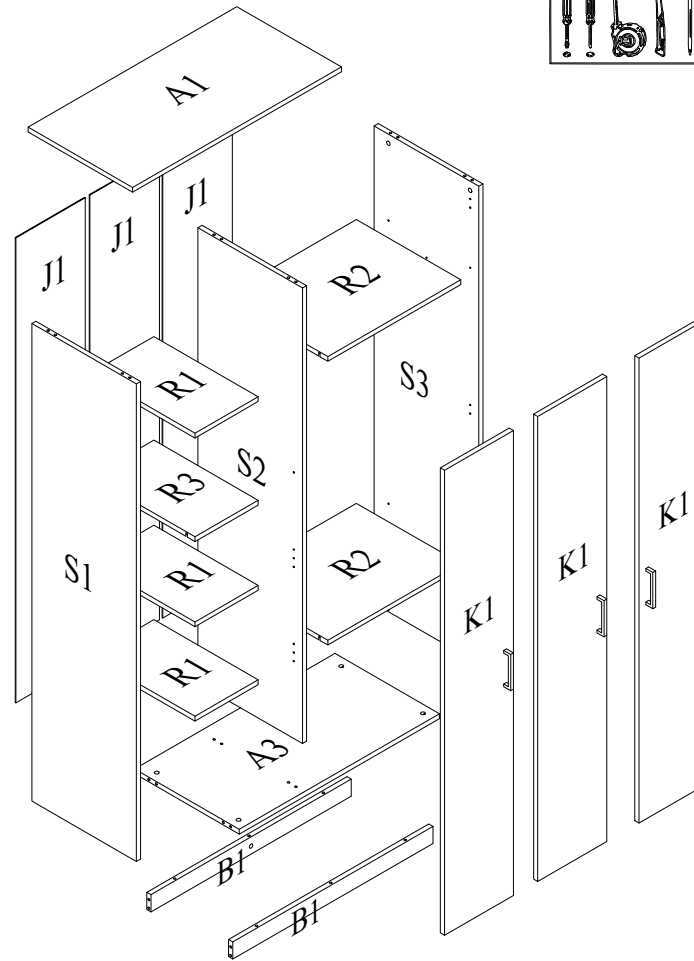
PKG3

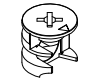

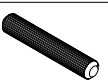


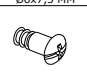
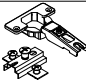

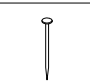
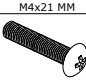
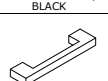
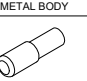



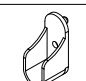
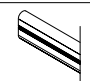

K1

3X

J1

3X



| | | | | | | | |
|---|---|--|--|--|---|--|---|
| <p>ACCESSORY NO:100</p> <p>MINIFIX BODY</p>  <p>14 PCS</p> | <p>ACCESSORY NO:101</p> <p>MINIFIX SPINDLE</p>  <p>14 PCS</p> | <p>ACCESSORY NO:102</p> <p>Ø8 x 34 PLASTIC DOWEL</p>  <p>24 PCS</p> | <p>ACCESSORY NO:103</p> <p>MINIFIX TAP</p>  <p>12 PCS</p> | <p>ACCESSORY NO:111</p> <p>RAFFIX BODY</p>  <p>12 PCS</p> | <p>ACCESSORY NO:V109</p> <p>RAFFIX SHAFT Ø6x7,5 MM</p>  <p>12 PCS</p> | <p>ACCESSORY NO:M200</p> <p>HINGE HINGE COUNTERPARTS</p>  <p>04 PCS</p> | <p>ACCESSORY NO:M201</p> <p>HALF OVERLAY HINGE HINGE COUNTERPARTS</p>  <p>02 PCS</p> |
| <p>ACCESSORY NO:107</p> <p>NAIL</p>  <p>28 PCS</p> | <p>ACCESSORY NO:V105</p> <p>HANDLE SCREW M4x21 MM</p>  <p>06 PCS</p> | <p>ACCESSORY NO:K106</p> <p>CORNER HANDLE, BLACK</p>  <p>03 PCS</p> | <p>ACCESSORY NO:110</p> <p>SHELF PIN METAL BODY</p>  <p>12 PCS</p> | <p>ACCESSORY NO:M203</p> <p>STOPPER HINGE HINGE COUNTERPARTS</p>  <p>02 PCS</p> | <p>ACCESSORY NO:M204</p> <p>STOPPER HALF OVERLAY HINGE HINGE COUNTERPARTS</p>  <p>01 PCS</p> | <p>ACCESSORY NO:V108</p> <p>CHIPBOARD SCREW 4x18 MM</p>  <p>45 PCS</p> | <p>ACCESSORY NO:104</p> <p>HANGER FLANGE</p>  <p>02 PCS</p> |
| <p>ACCESSORY NO:105</p> <p>565 MM STRIPED HANGER PIPE</p>  <p>01 PCS</p> | <p>ACCESSORY NO:106</p> <p>SCREW WASHER</p>  <p>06 PCS</p> | | | | | | |