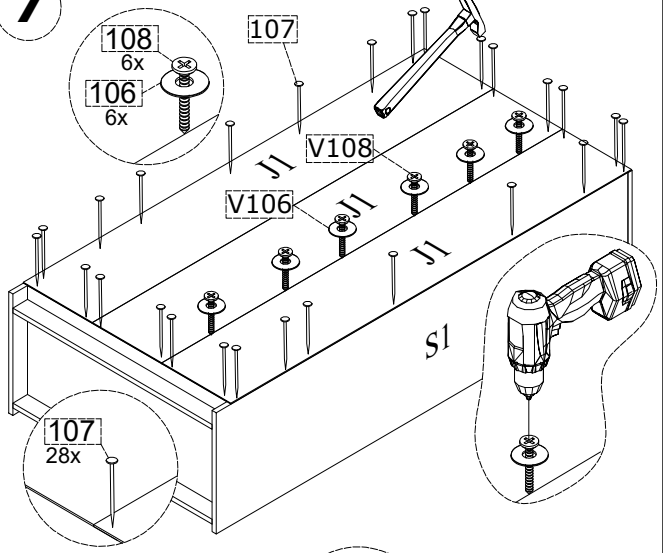


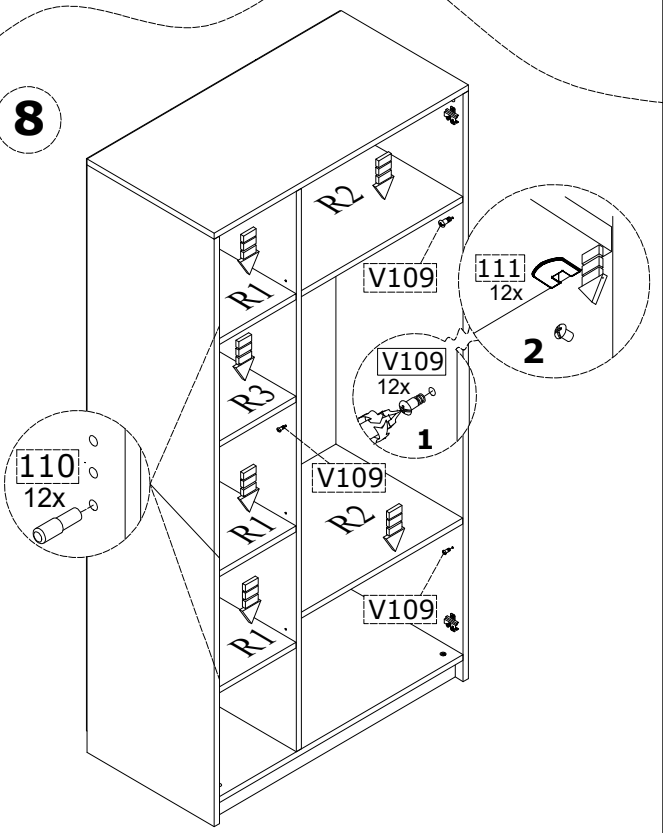
GP041-0005,1



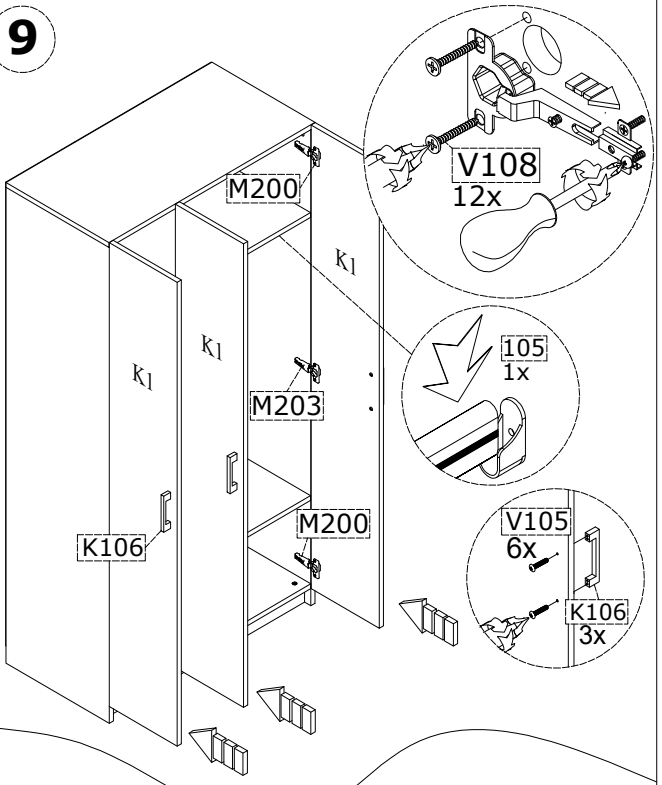
7



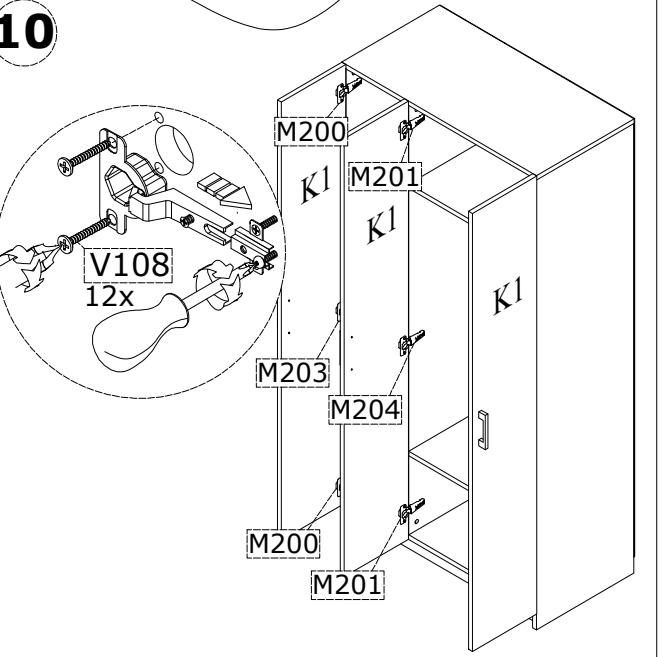
8



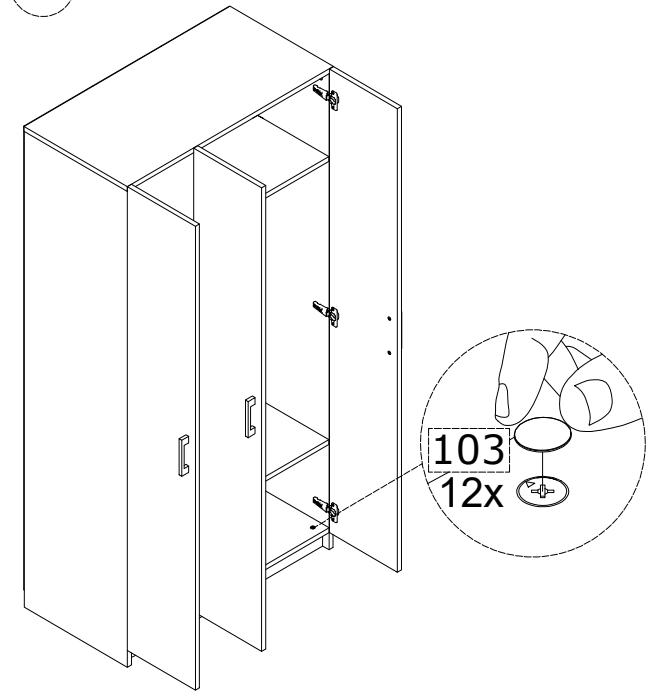
9



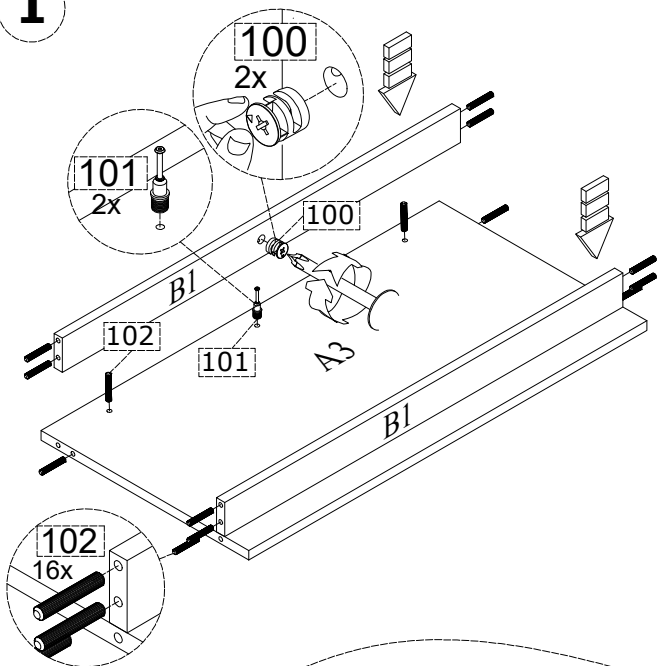
10



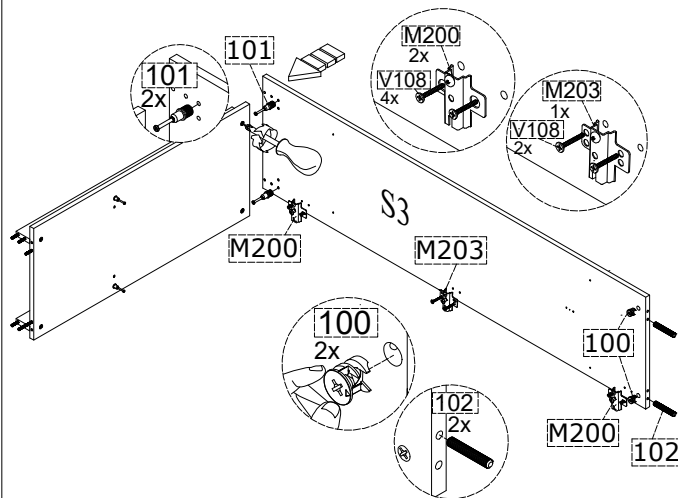
11



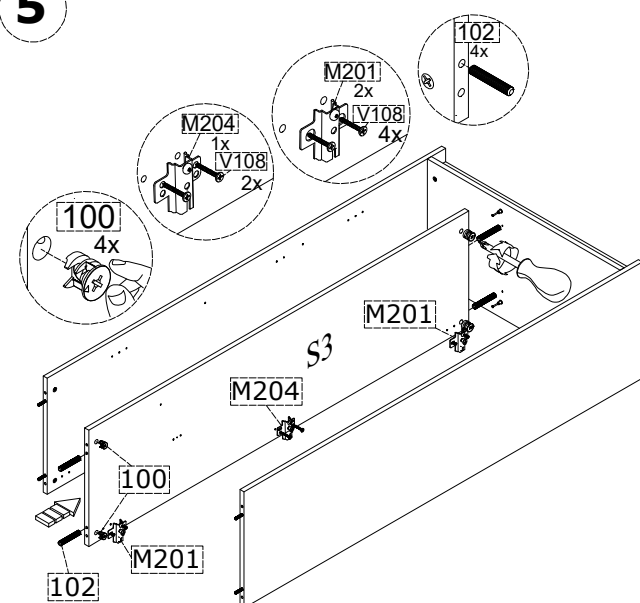
1



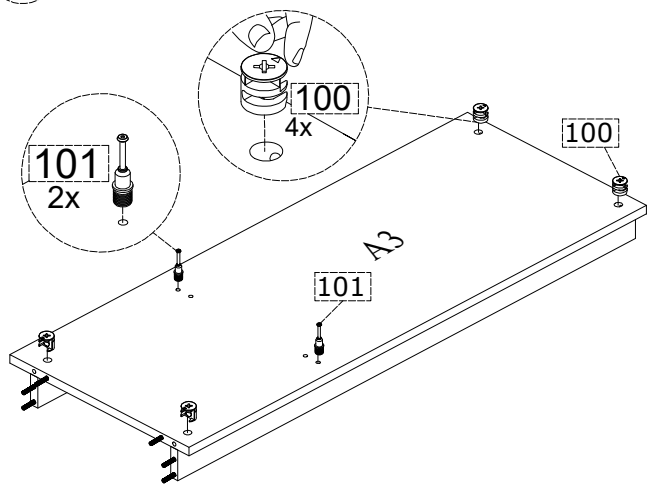
3



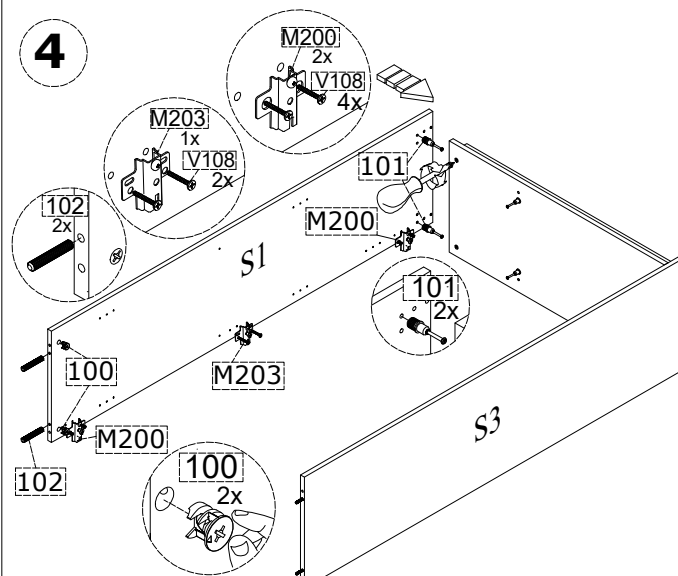
5



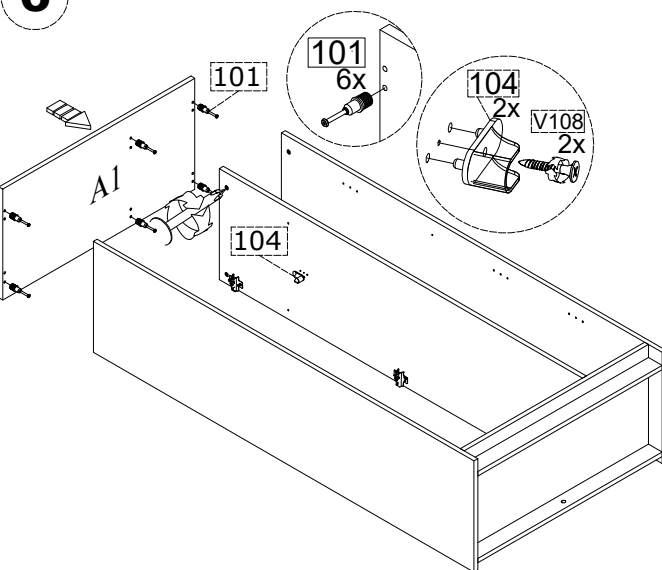
2



4



6



PKG1



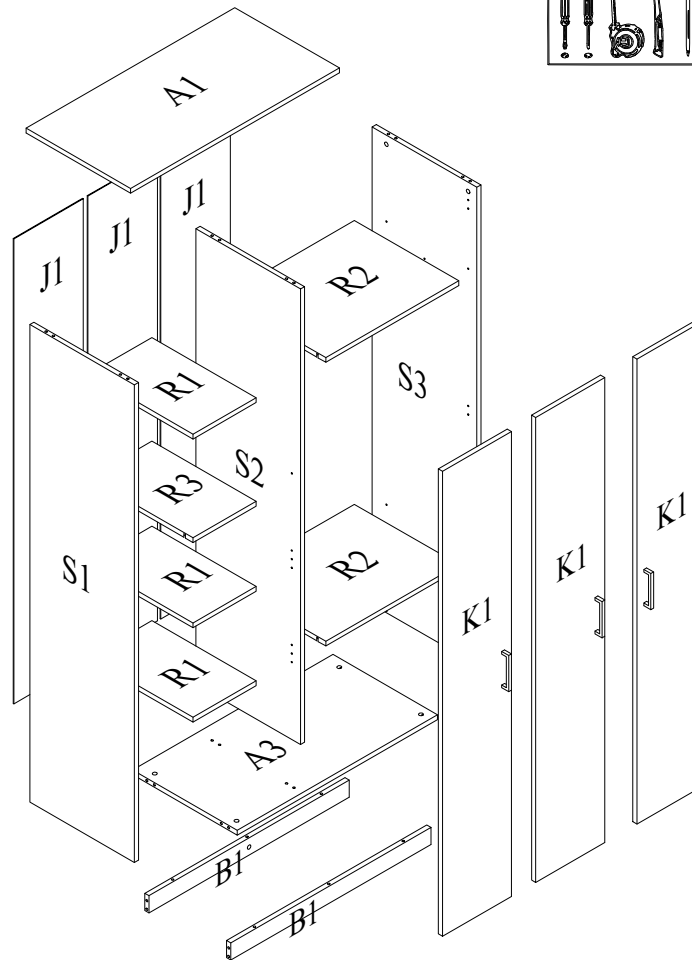
A1
1X
A3
1X
R1
3X
R3
1X
R2
2X
B1
2X
105
1X

PKG2

S3
1X
S1
1X
S2
1X

PKG3

K1
3X
J1
3X



<p>ACCESSORY NO:100 MINIFIX BODY</p> <p>14 PCS</p>	<p>ACCESSORY NO:101 MINIFIX SPINDLE</p> <p>14 PCS</p>	<p>ACCESSORY NO:102 Ø8 x 34 PLASTIC DOWEL</p> <p>24 PCS</p>	<p>ACCESSORY NO:103 MINIFIX TAP</p> <p>12 PCS</p>	<p>ACCESSORY NO:111 RAFFIX BODY</p> <p>12 PCS</p>	<p>ACCESSORY NO:V109 RAFFIX SHAFT Ø6x7,5 MM</p> <p>12 PCS</p>	<p>ACCESSORY NO:M200 HINGE HINGE COUNTERPARTS</p> <p>04 PCS</p>	<p>ACCESSORY NO:M201 HALF OVERLAY HINGE HINGE COUNTERPARTS</p> <p>02 PCS</p>
<p>ACCESSORY NO:107 NAIL</p> <p>28 PCS</p>	<p>ACCESSORY NO:V105 HANDLE SCREW M4x21 MM</p> <p>06 PCS</p>	<p>ACCESSORY NO:K106 CORNER HANDLE, BLACK</p> <p>03 PCS</p>	<p>ACCESSORY NO:110 SHELF PIN METAL BODY</p> <p>12 PCS</p>	<p>ACCESSORY NO:M203 STOPPER HINGE HINGE COUNTERPARTS</p> <p>02 PCS</p>	<p>ACCESSORY NO:M204 STOPPER HALF OVERLAY HINGE HINGE COUNTERPARTS</p> <p>01 PCS</p>	<p>ACCESSORY NO:V108 CHIPBOARD SCREW 4x18 MM</p> <p>45 PCS</p>	<p>ACCESSORY NO:104 HANGER FLANGE</p> <p>02 PCS</p>
<p>ACCESSORY NO:105 565 MM STRIPED HANGER PIPE</p> <p>01 PCS</p>	<p>ACCESSORY NO:106 SCREW WASHER</p> <p>06 PCS</p>						