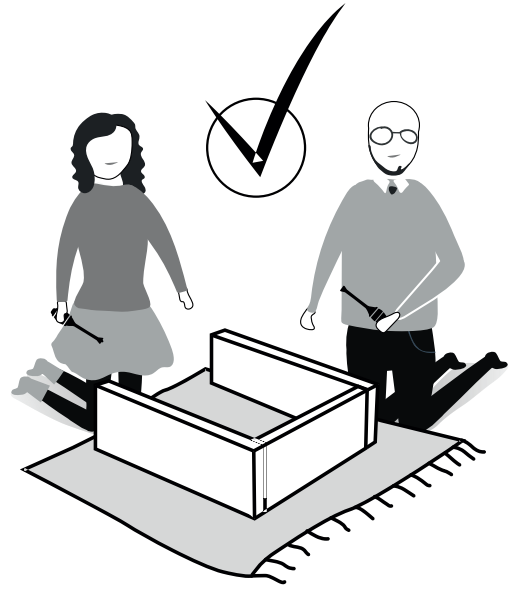
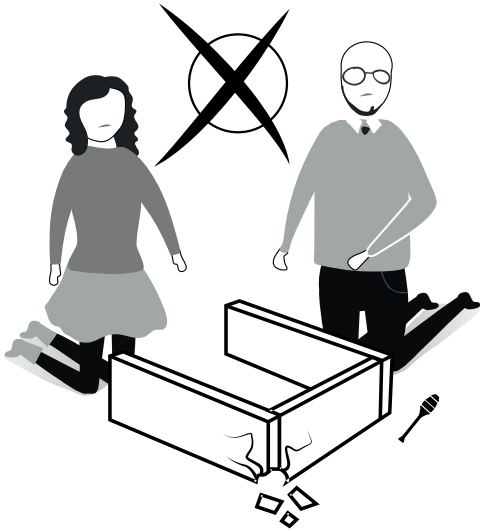
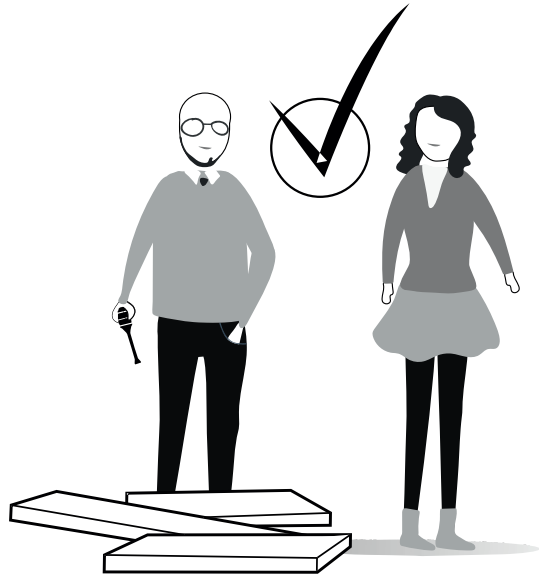
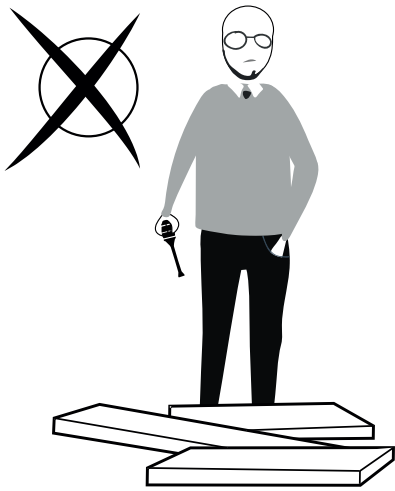


# GP037-0044,3

---




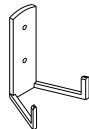
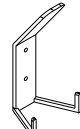





Follow the installation steps in the order as shown.  
Position the parts as shown in the installation guide steps.

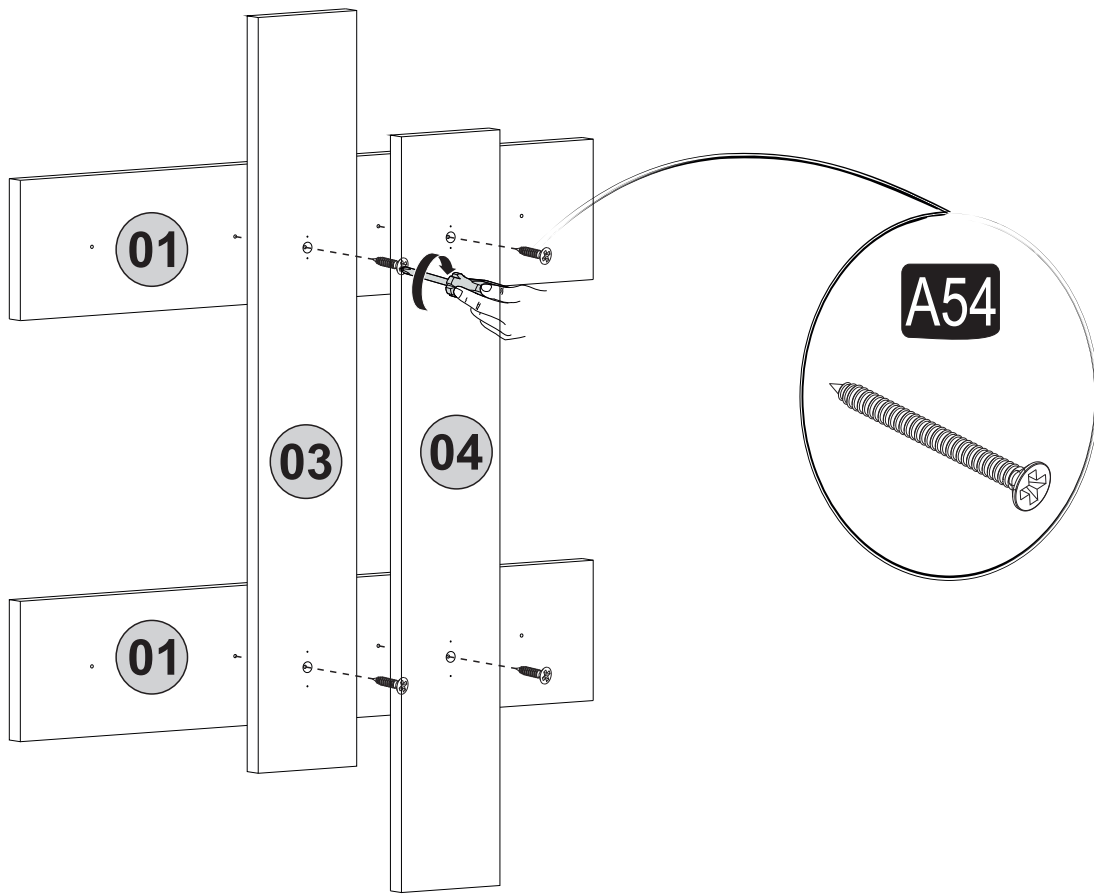


# ACCESSORY LIST

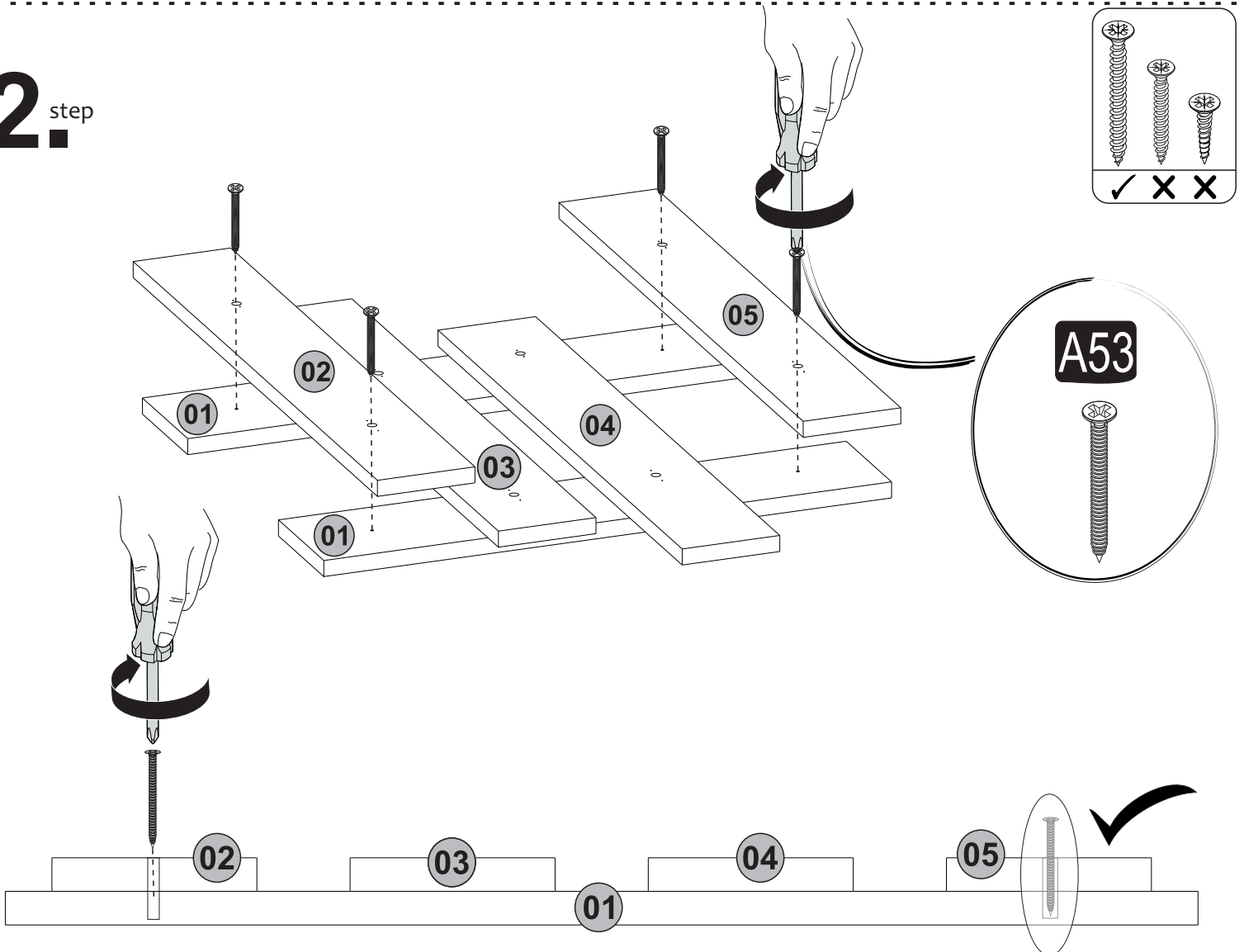
|   |  |  |  |  |
|---|--|--|--|--|
| <b>A54</b><br><br>4x30<br><b>4x</b>    | <b>A53</b><br><br>4x70<br><b>4x</b> | <b>A16</b><br><br>DbØ8<br><b>4x</b> | <b>Z68</b><br><br>PKAGK (grey)<br><b>4x</b> | <b>Z69</b><br><br>PKAGB (grey)<br><b>4x</b> |
| <b>A18</b><br><br>3,5x18<br><b>16x</b> |  |  |  |  |



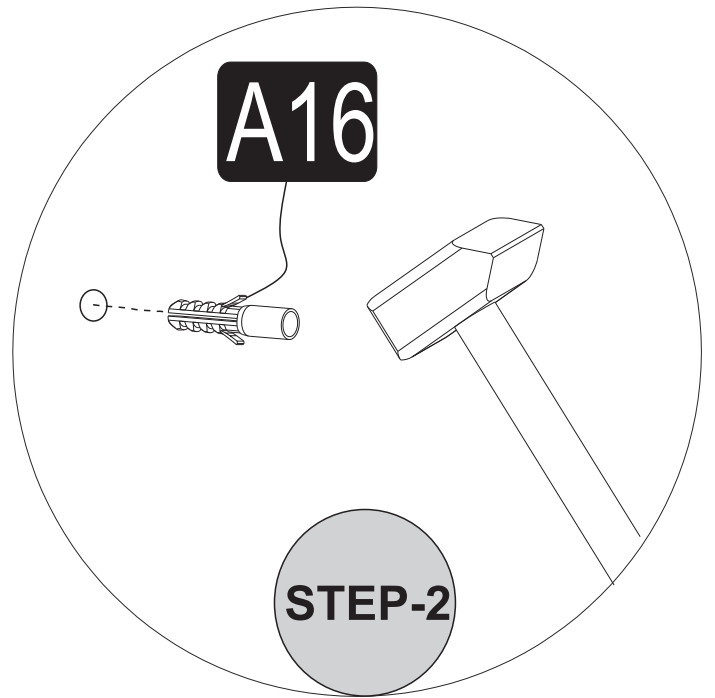
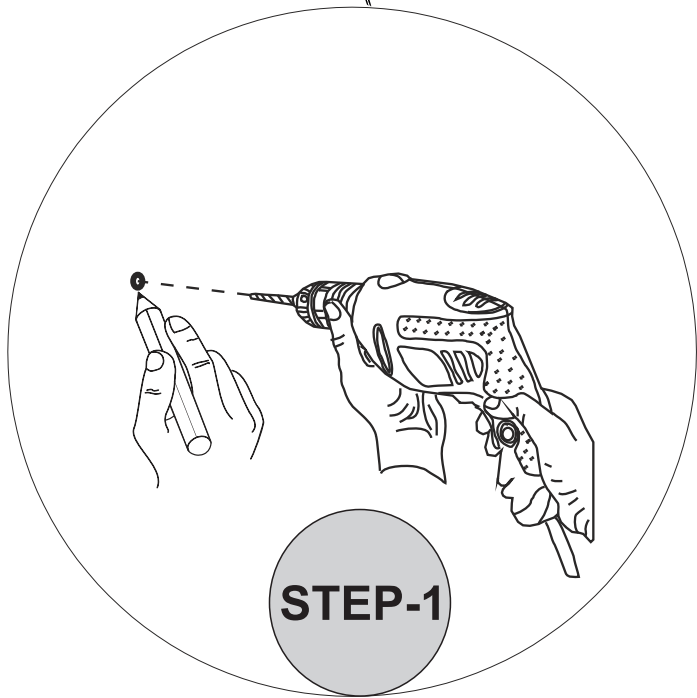
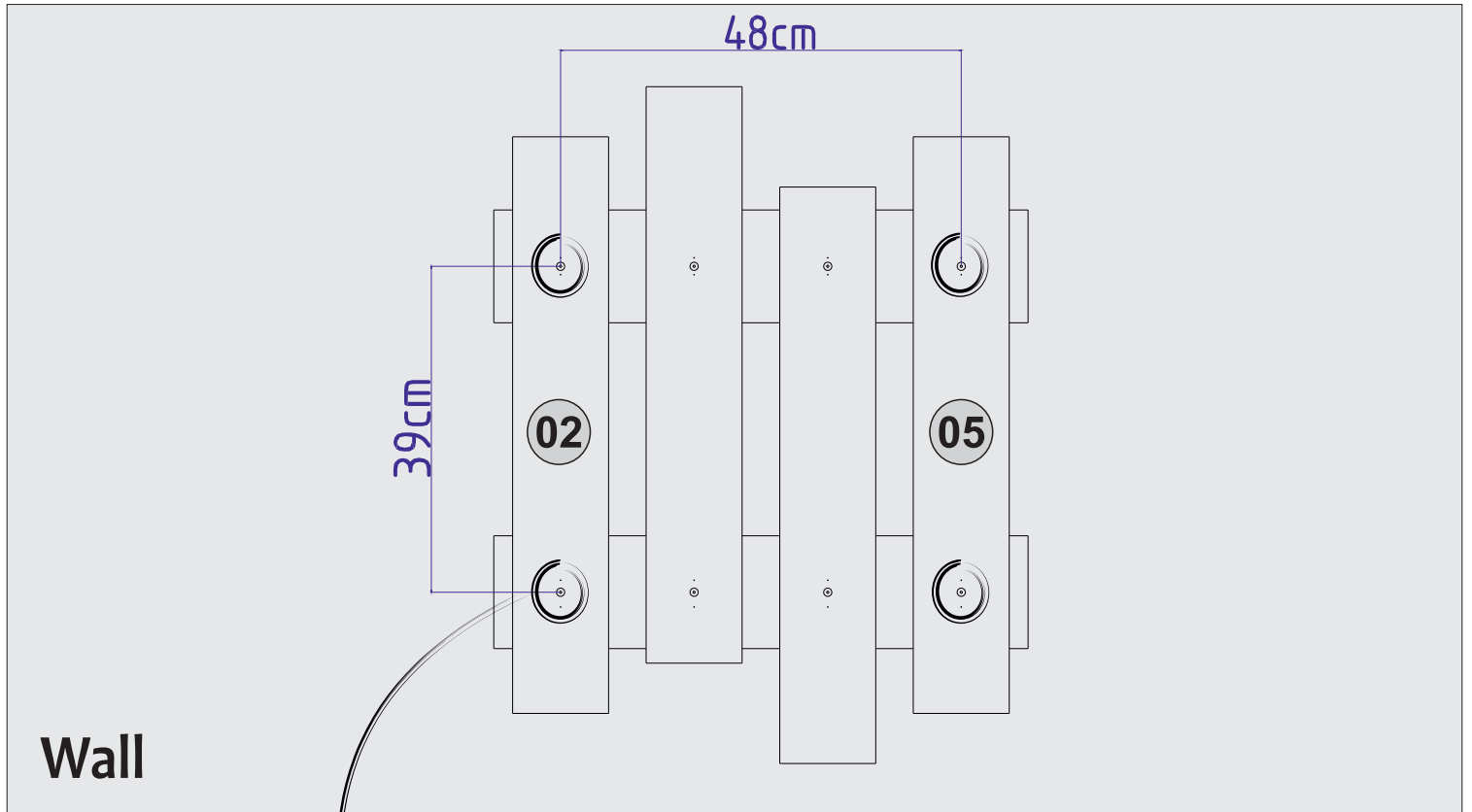
# 1. step



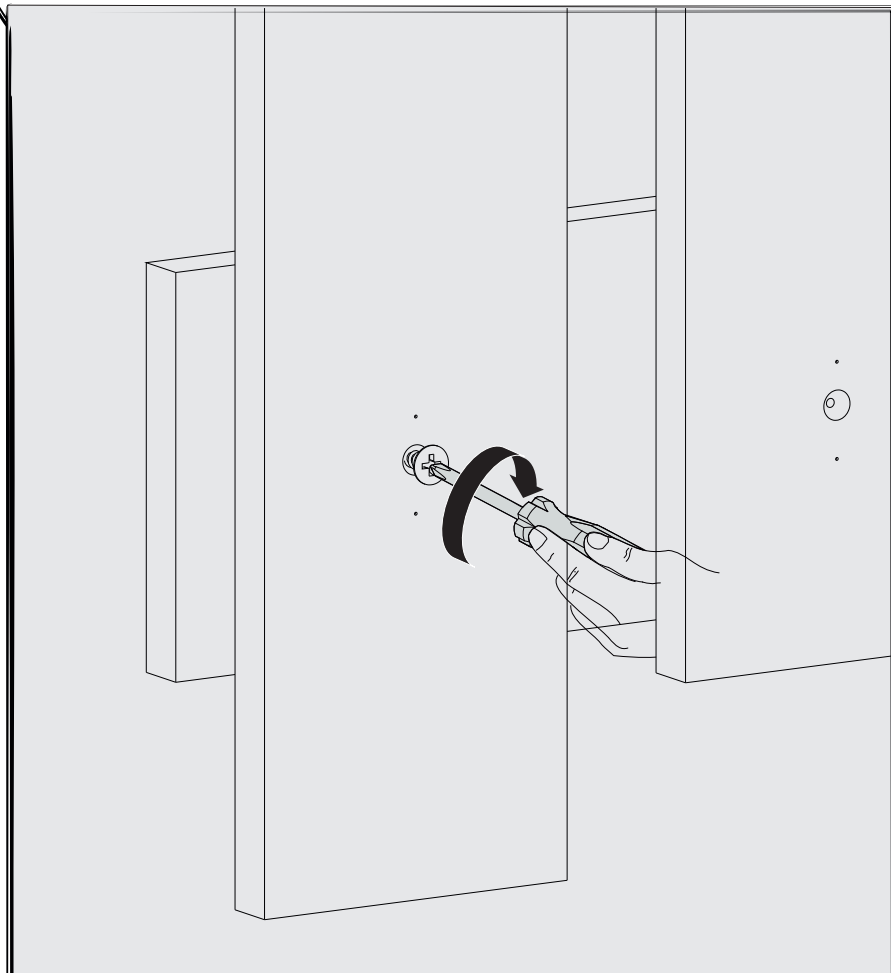
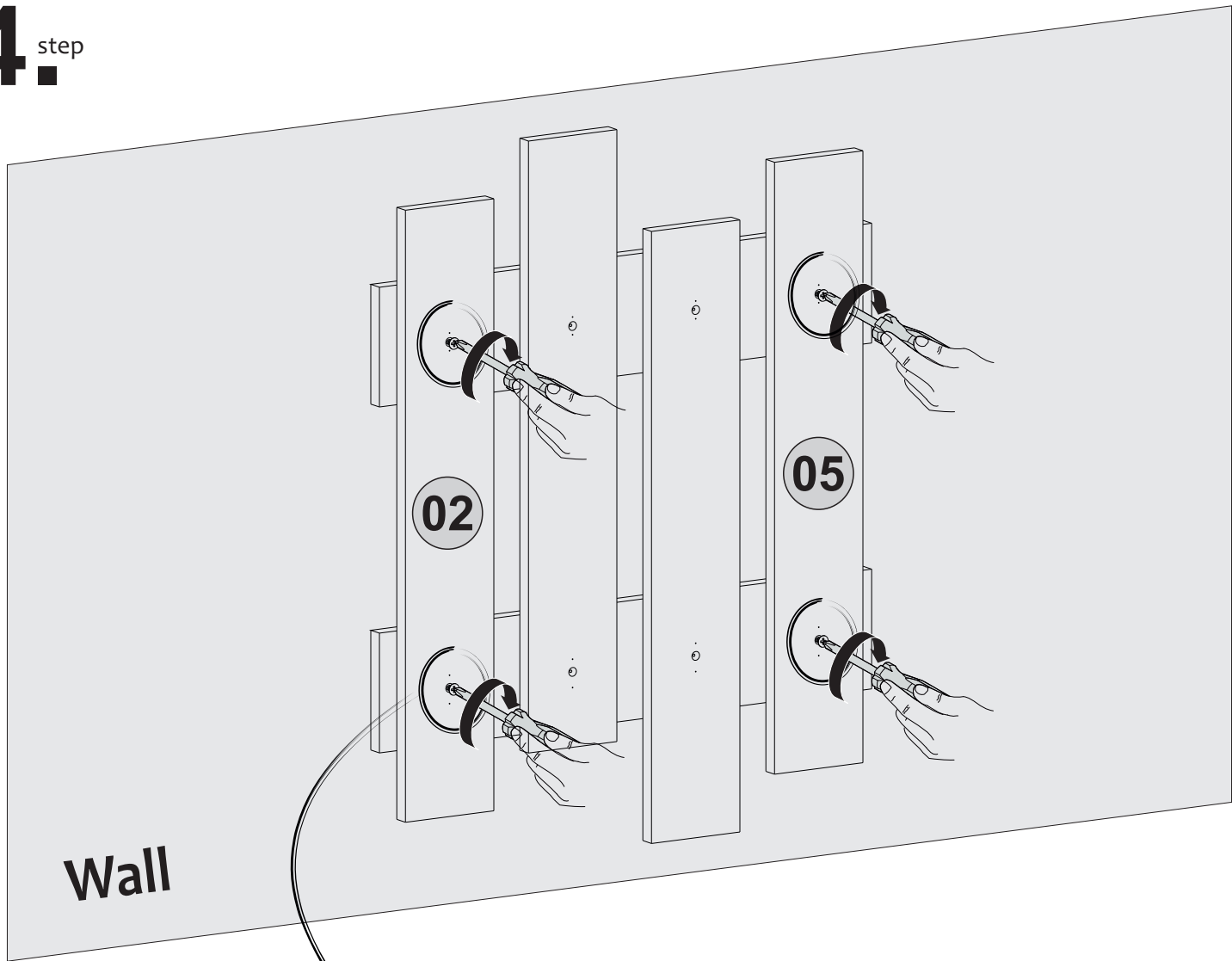
# 2. step



# 3<sup>step</sup>



# 4. step



# 5 step

