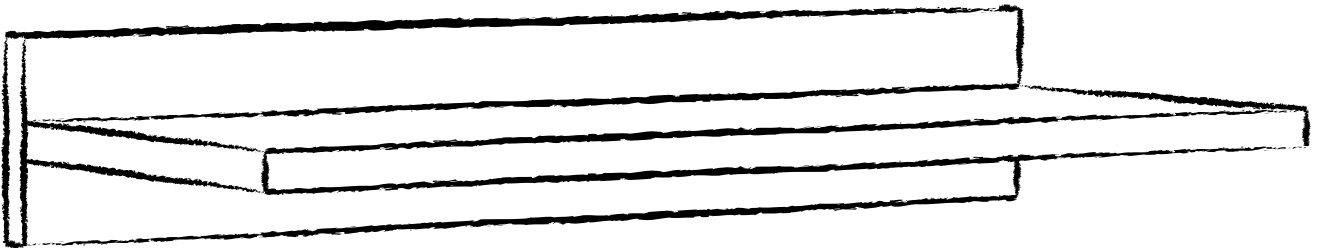
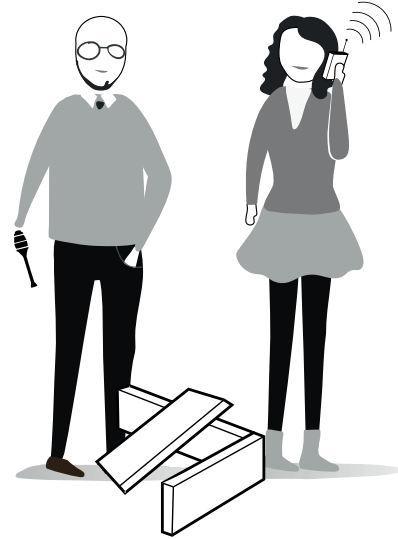
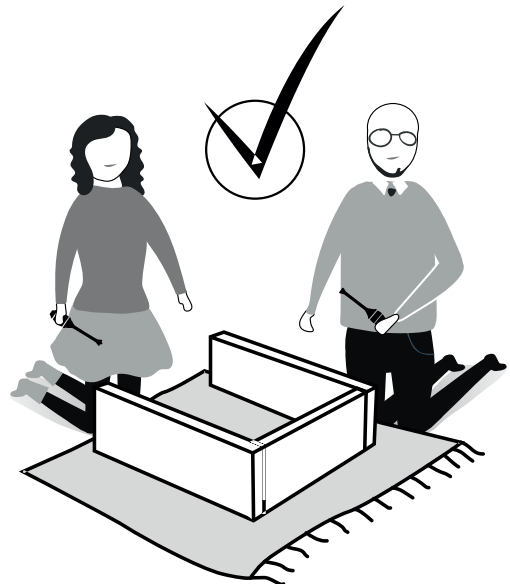
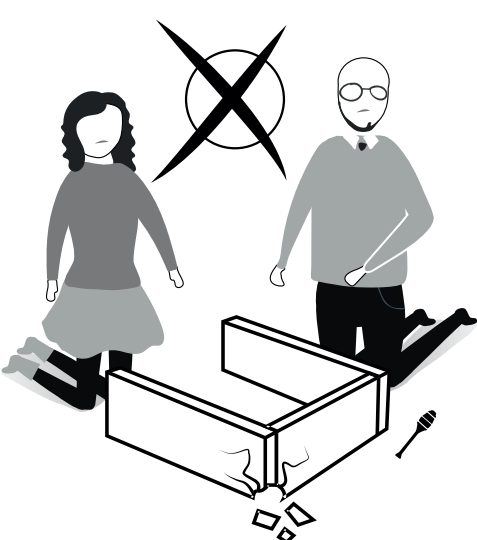
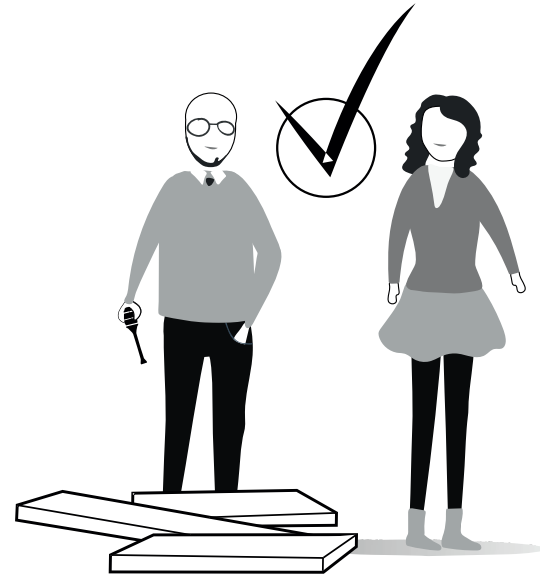
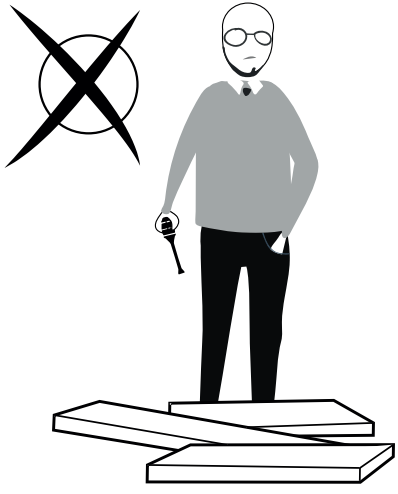


GP037-0040,2





ATTENTION !!

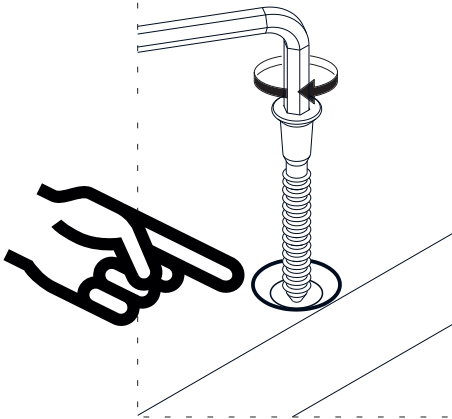
Our products are screw system. Before you proceed with installation try to understand the following



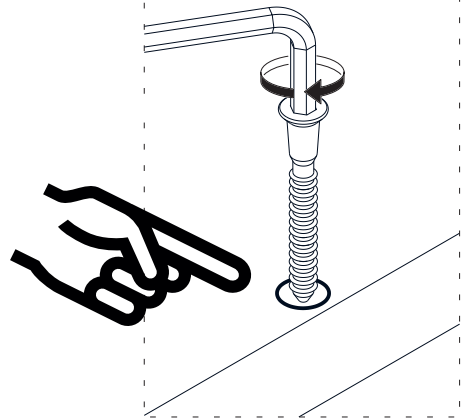
A13



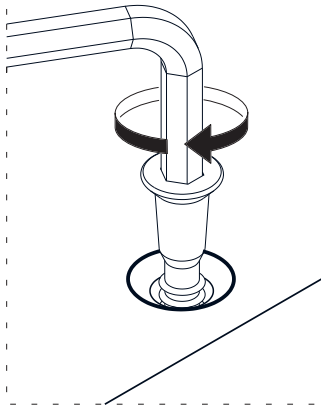
1



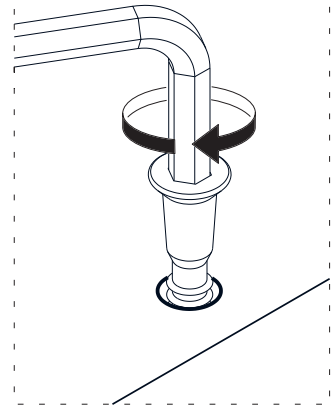
1



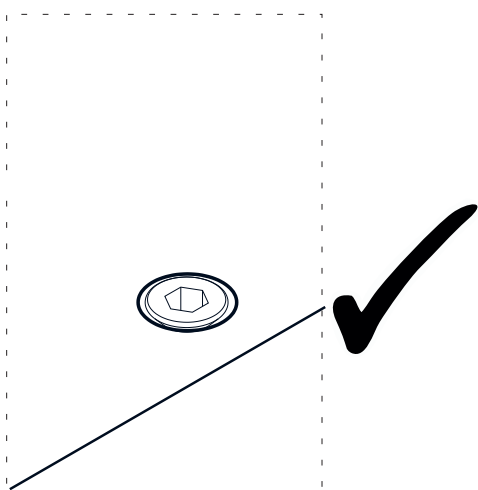
2



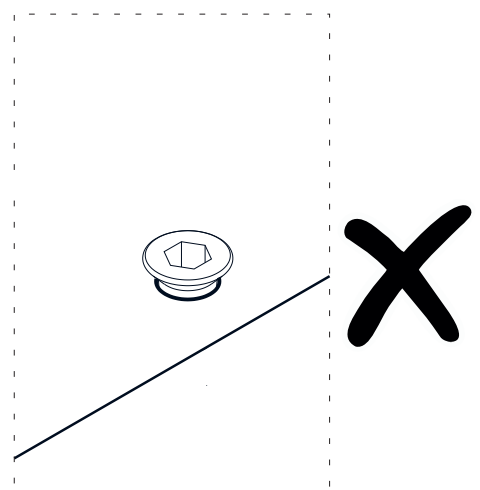
2



3







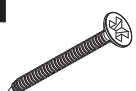
3

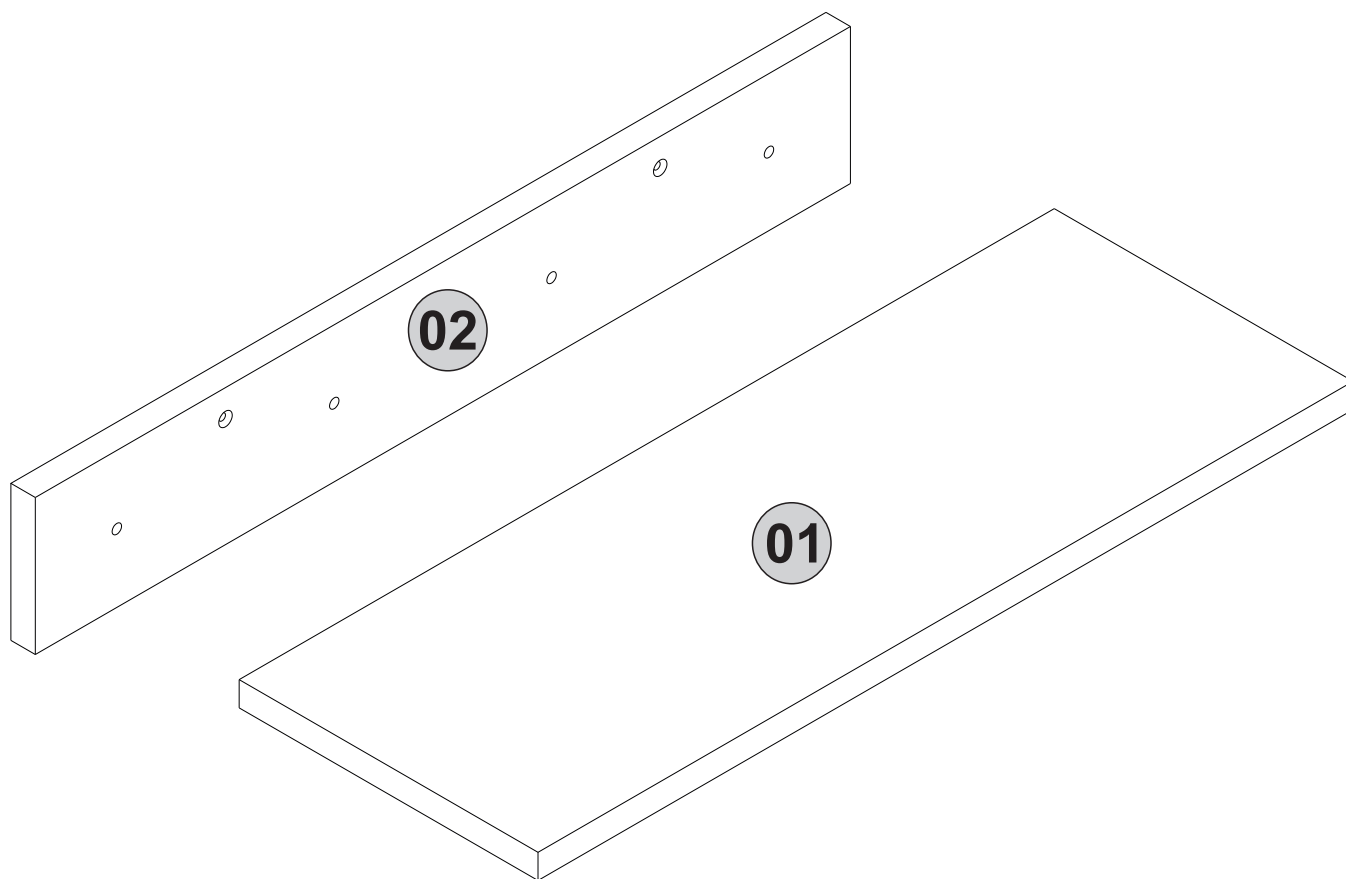


Follow the installation steps in the order as shown.
Position the parts as shown in the installation guide steps.

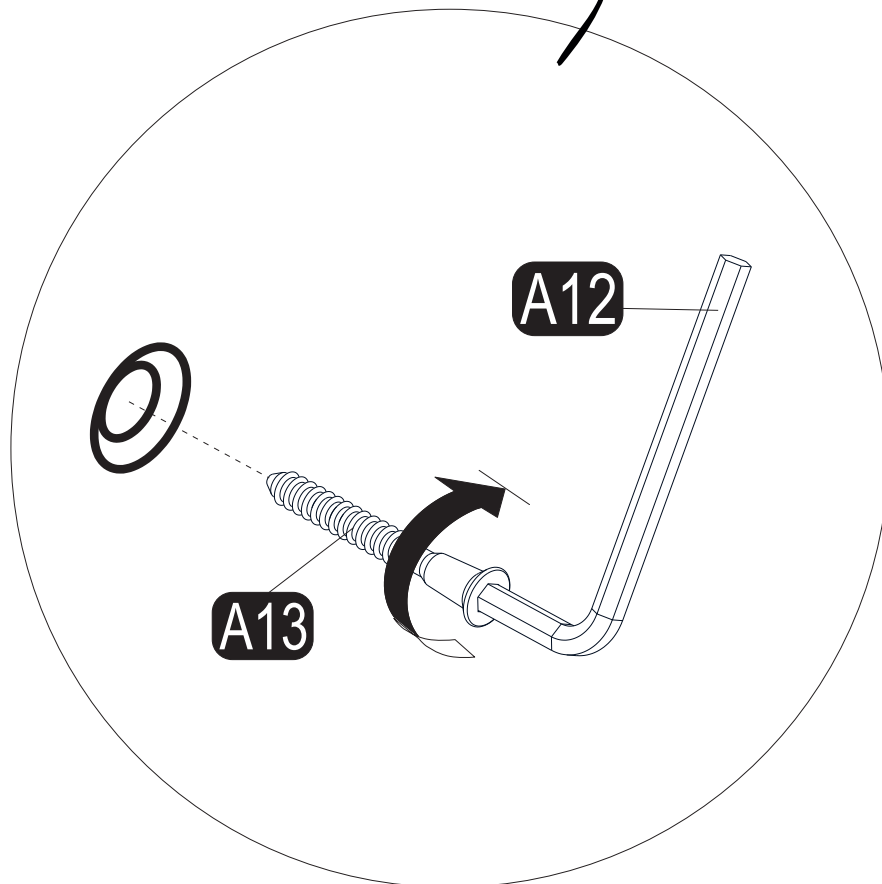
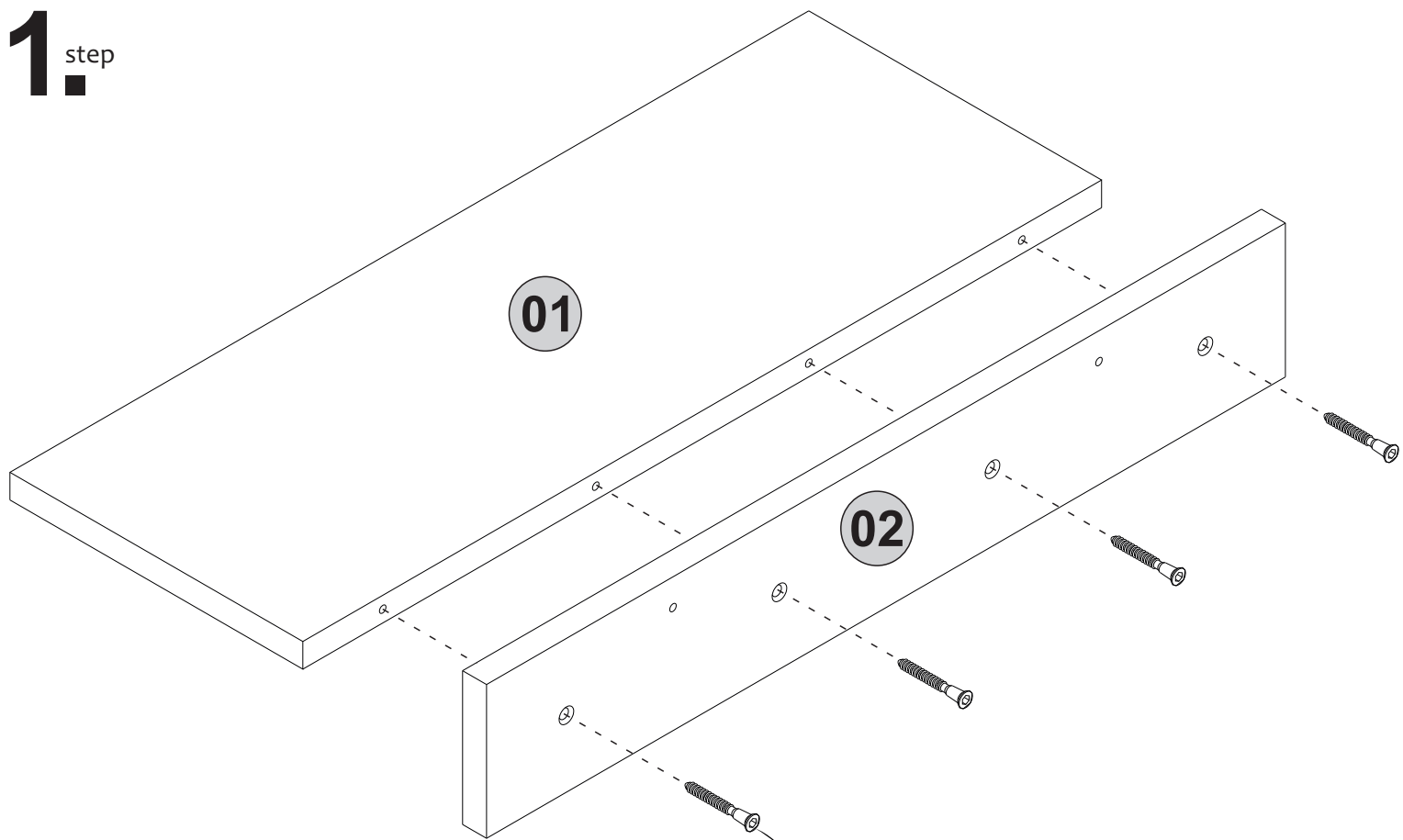


ACCESSORY LIST

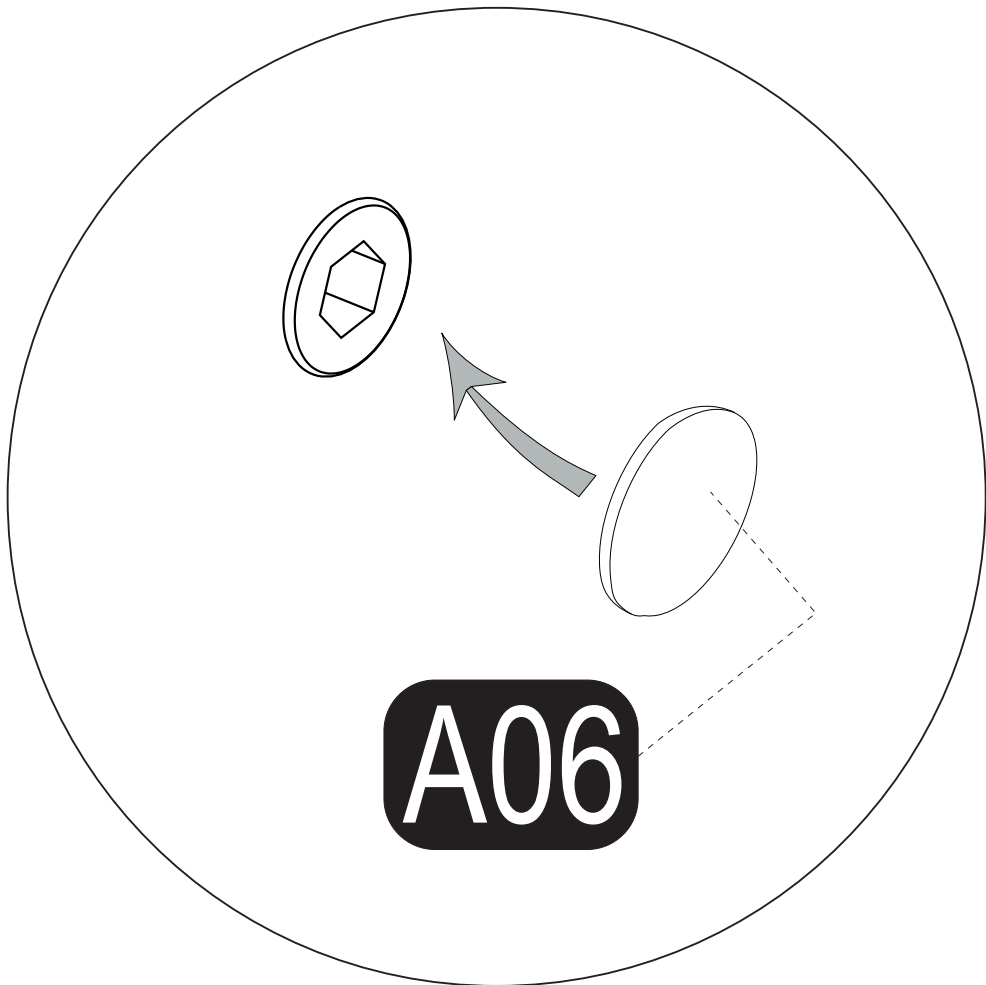
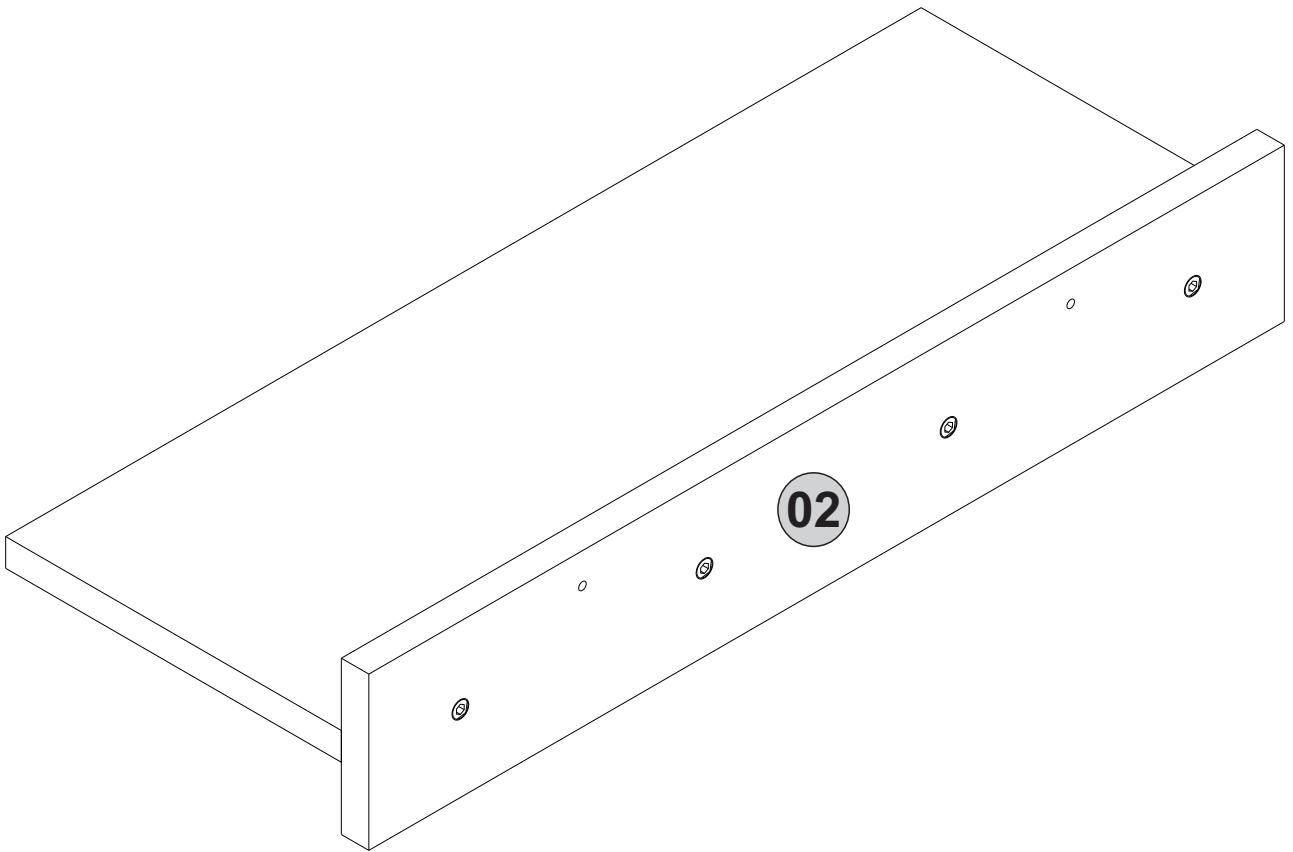
A13  50mm 4x	A12  Allen 1x	A06  18mm C1-6x	A16  DbØ8 2x	A61  5x70 2x
---	--	--	---	---



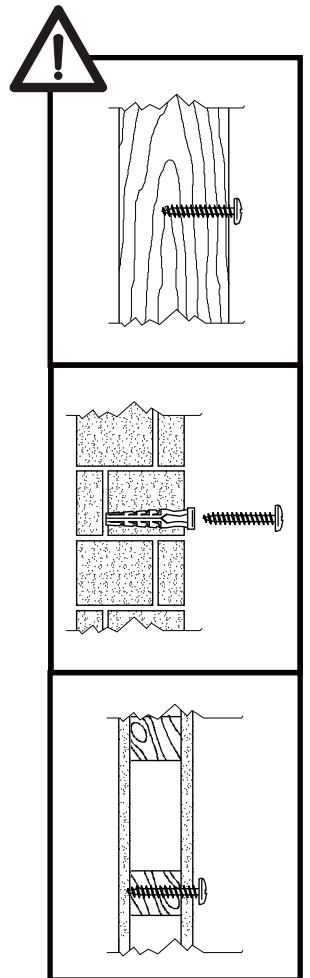
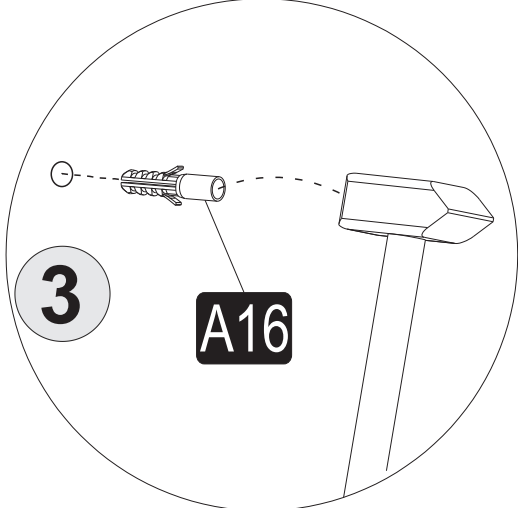
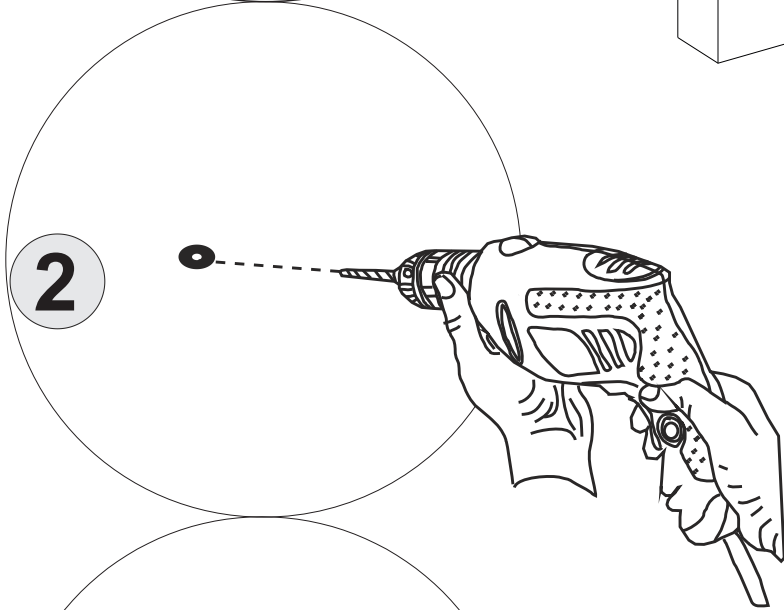
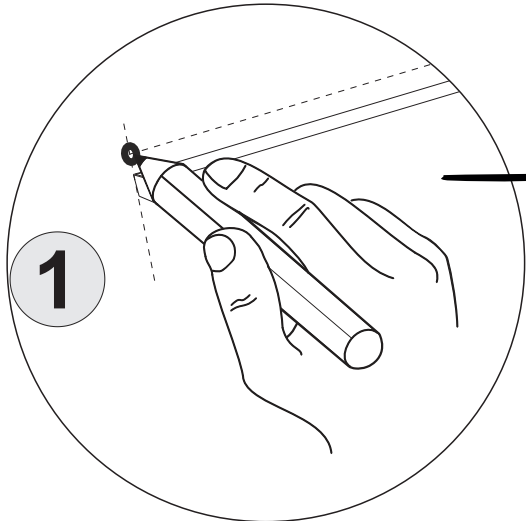
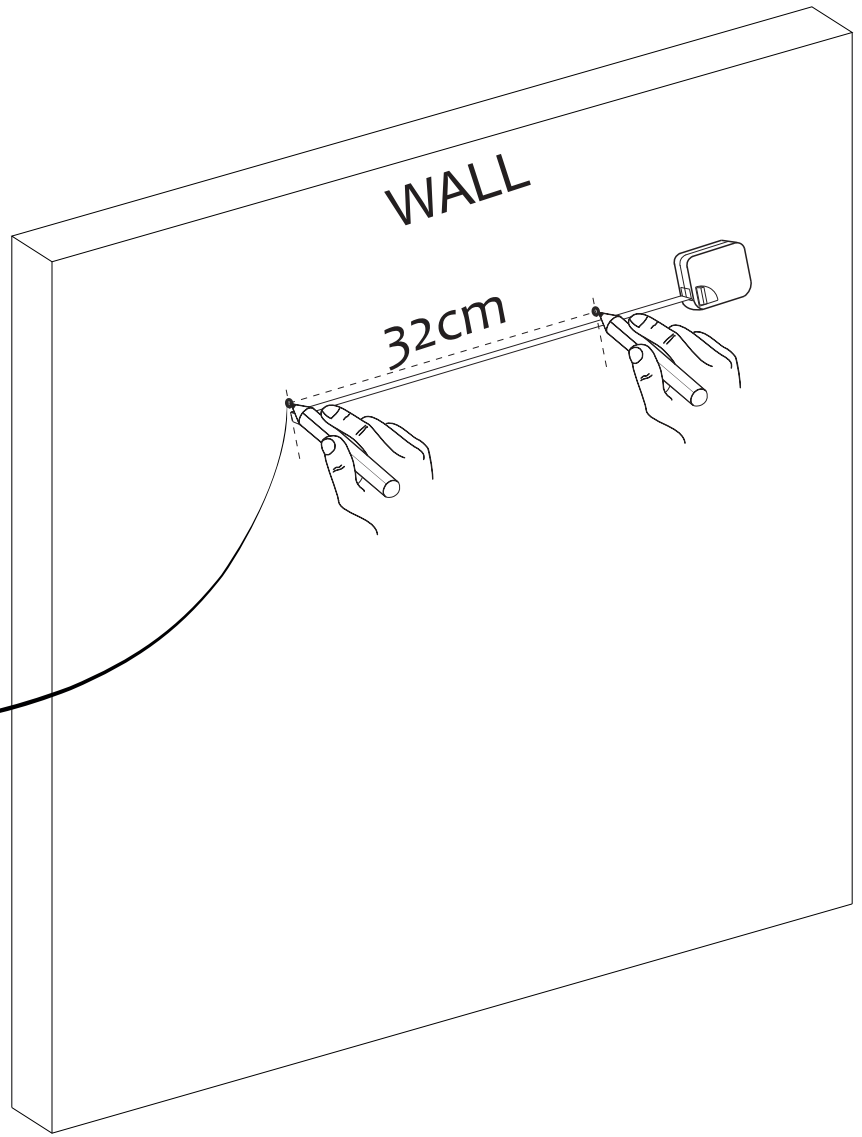
1. step



2 step



3^{step}



4. step

