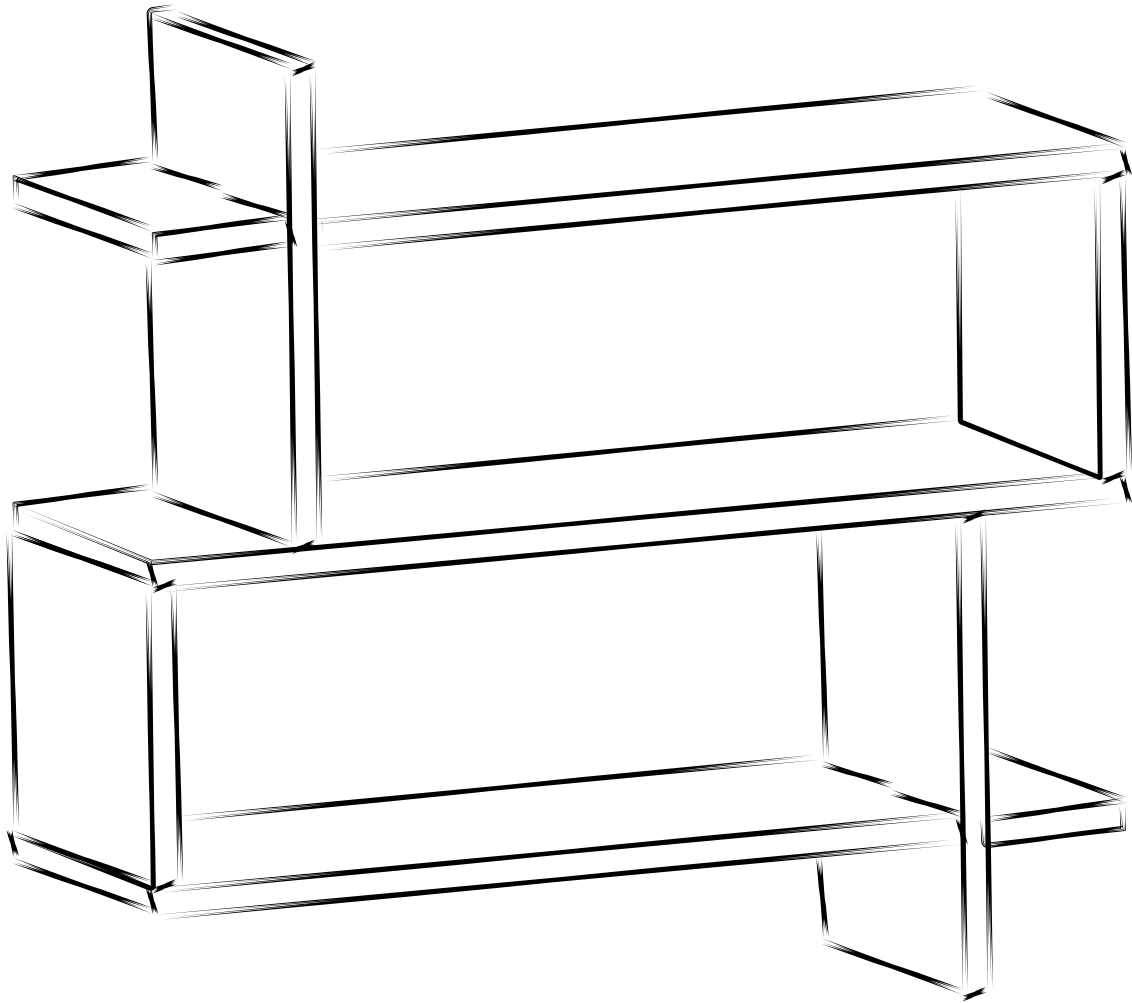
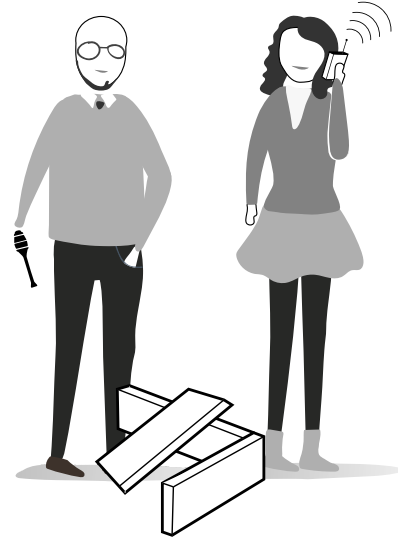
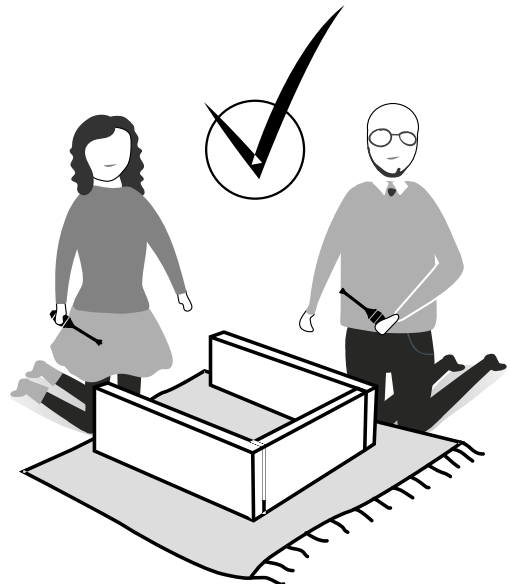
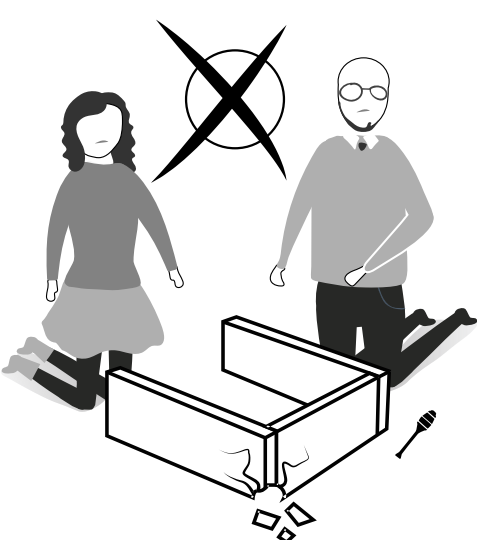
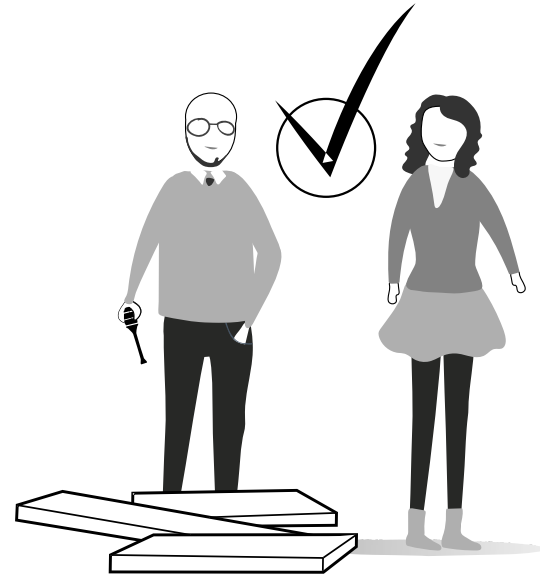
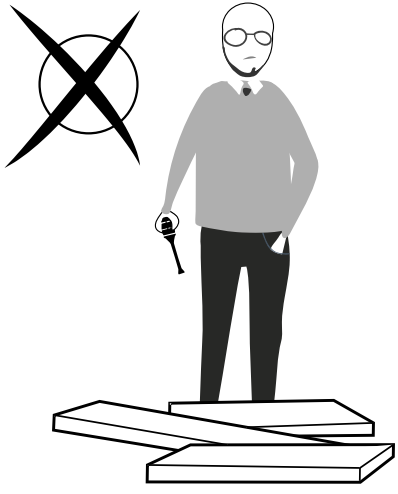


GP037-0037,2





ATTENTION !!

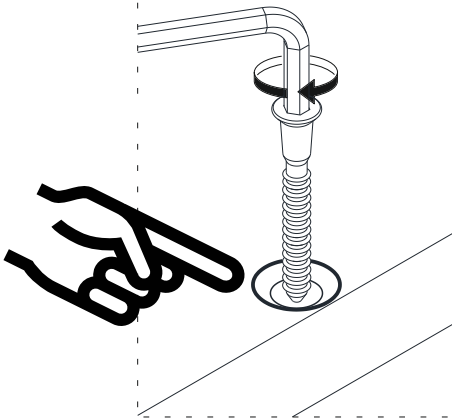
Our products are screw system. Before you proceed with installation try to understand the following



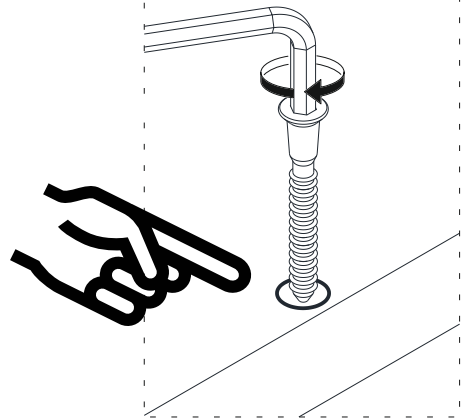
A13



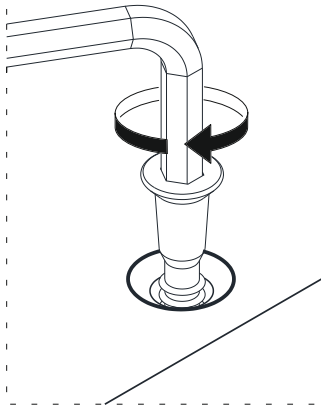
1



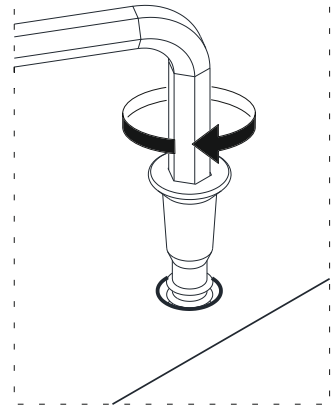
1



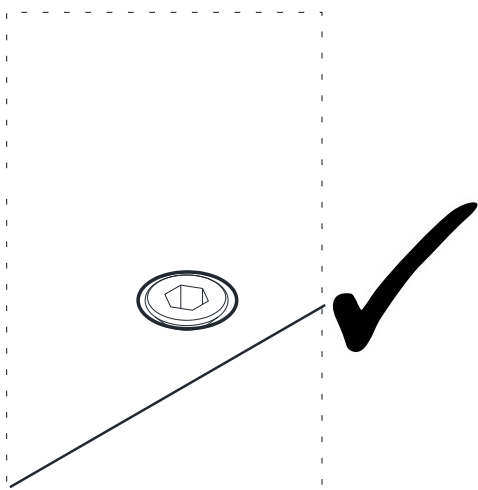
2



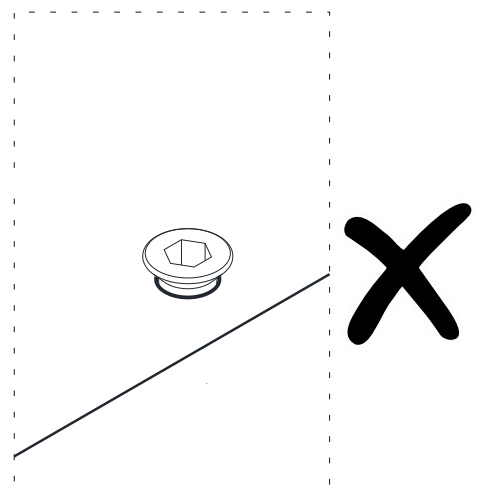
2



3




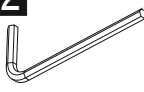
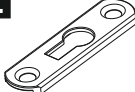

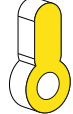

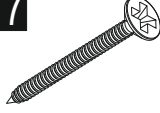

3

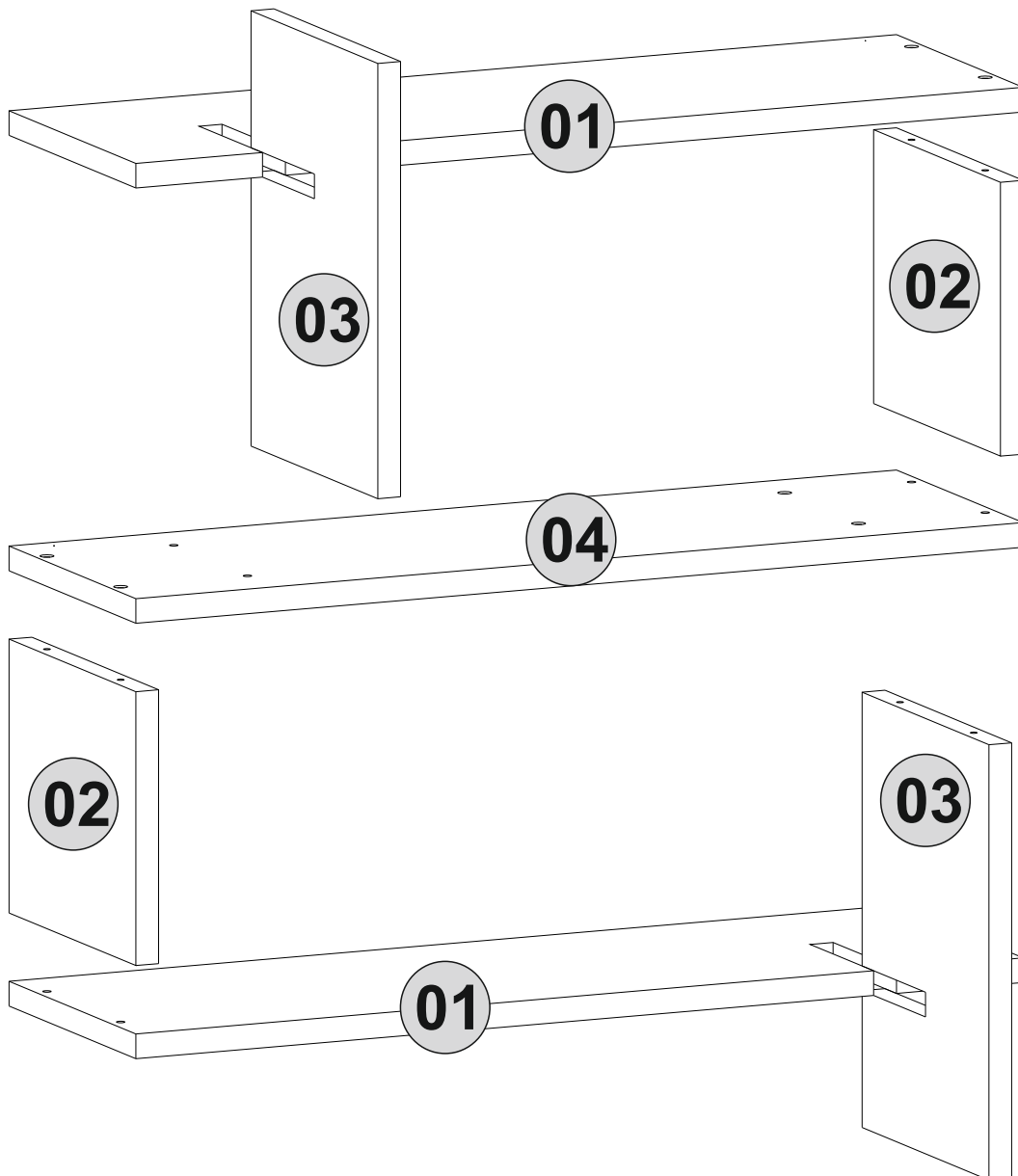


Follow the installation steps in the order as shown.
Position the parts as shown in the installation guide steps.

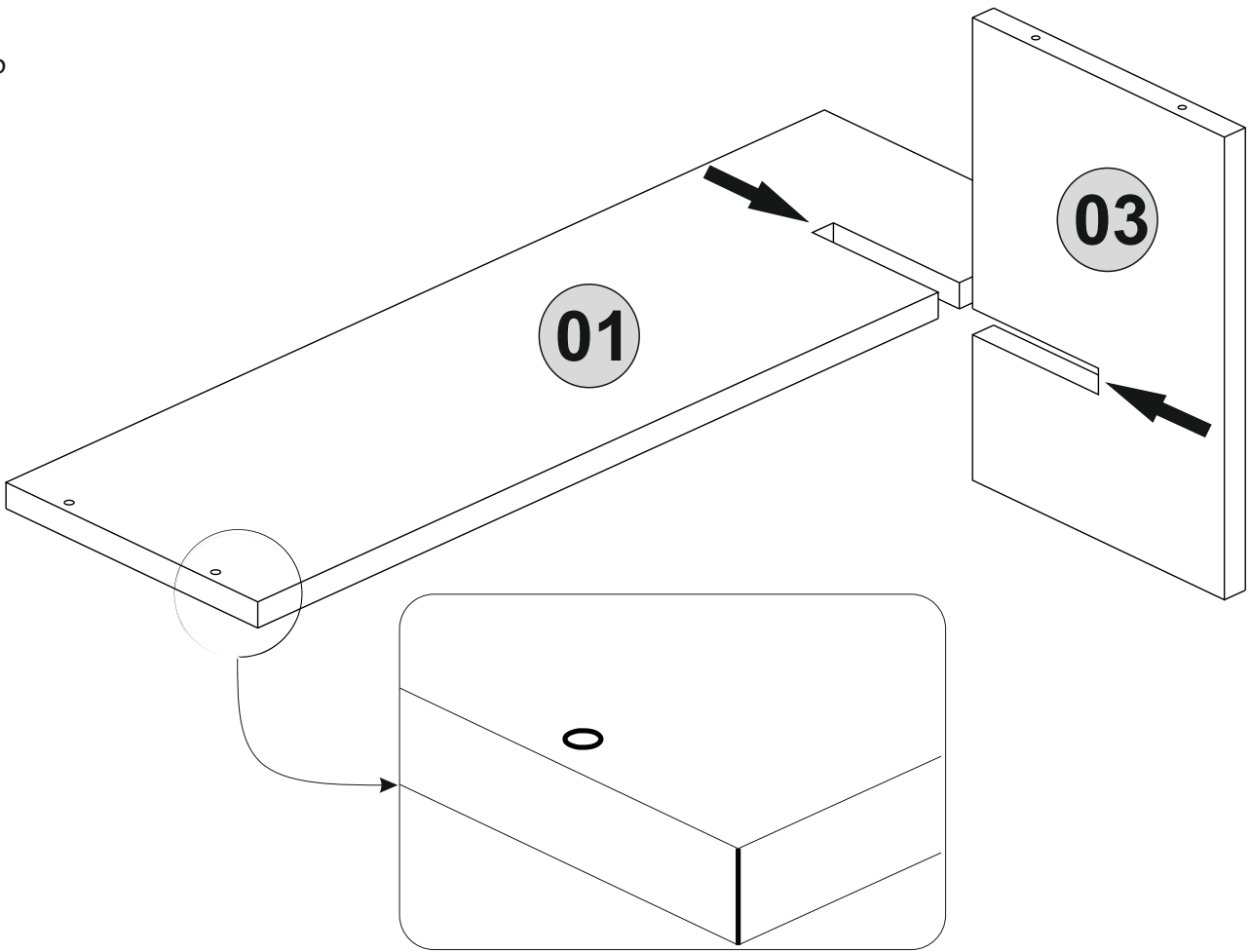


ACCESSORY LIST

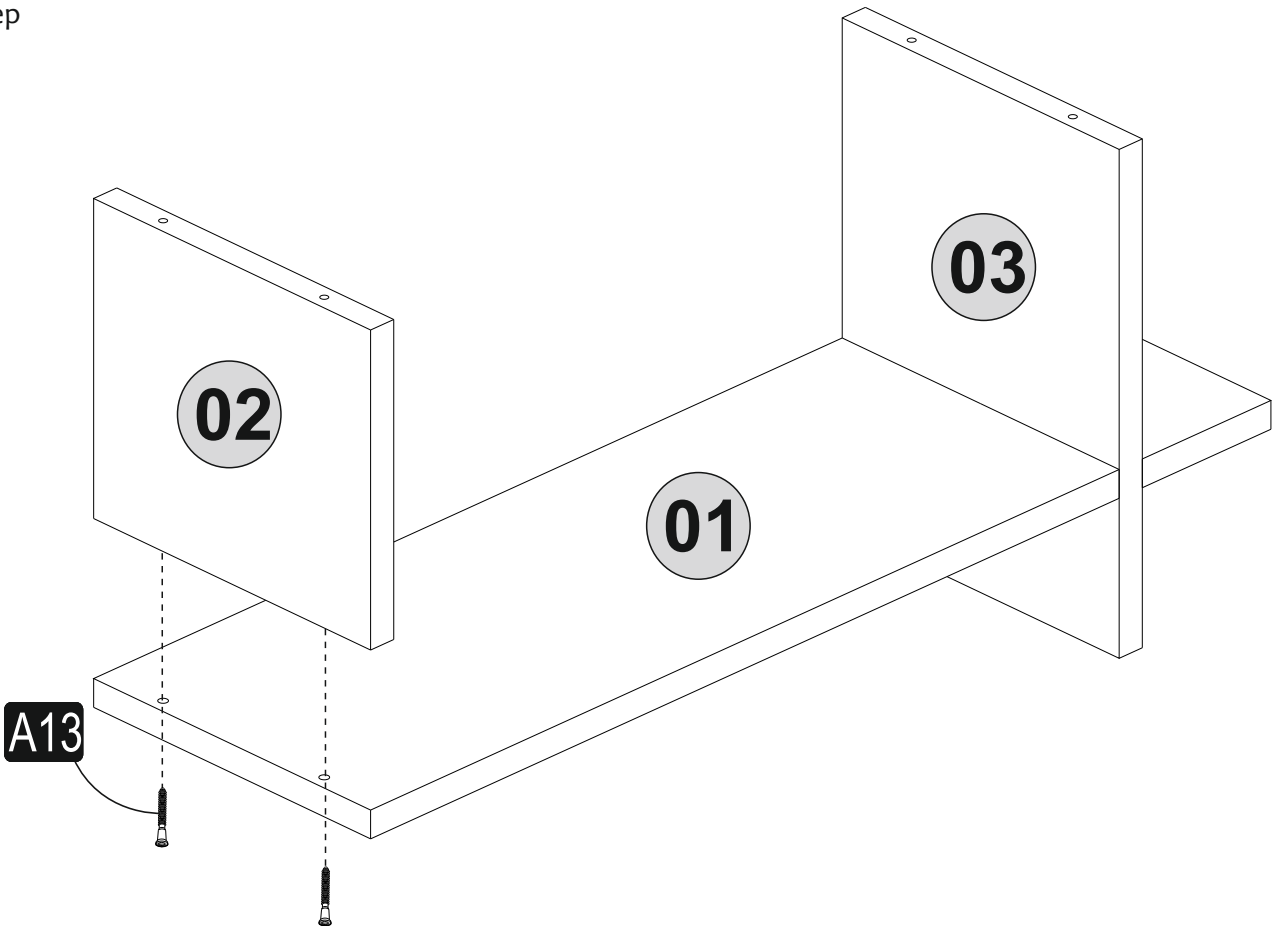
A13  50mm 12x	A12  4 SW 1x	A32  60/16 2x	A11  3,5x30 4x	Z18  Gbdy 2x
A16  DbØ8 2x	A17  4X50 2x	A06  18mm 12x		



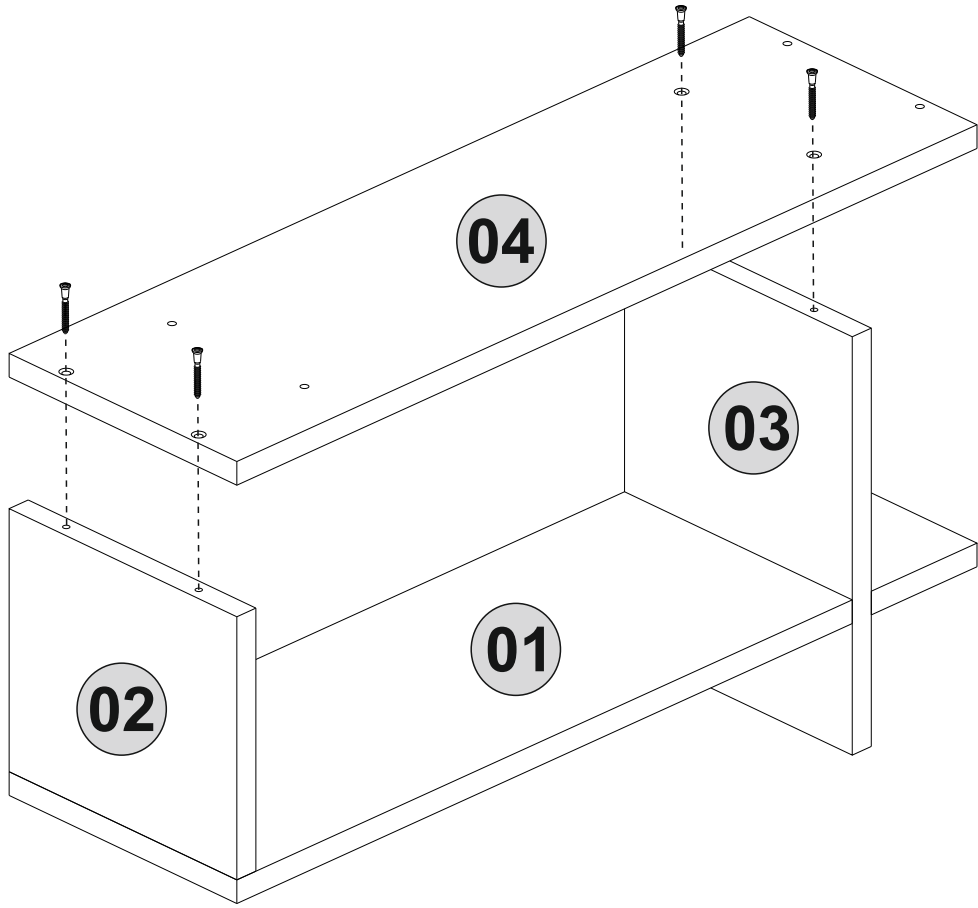
1. step



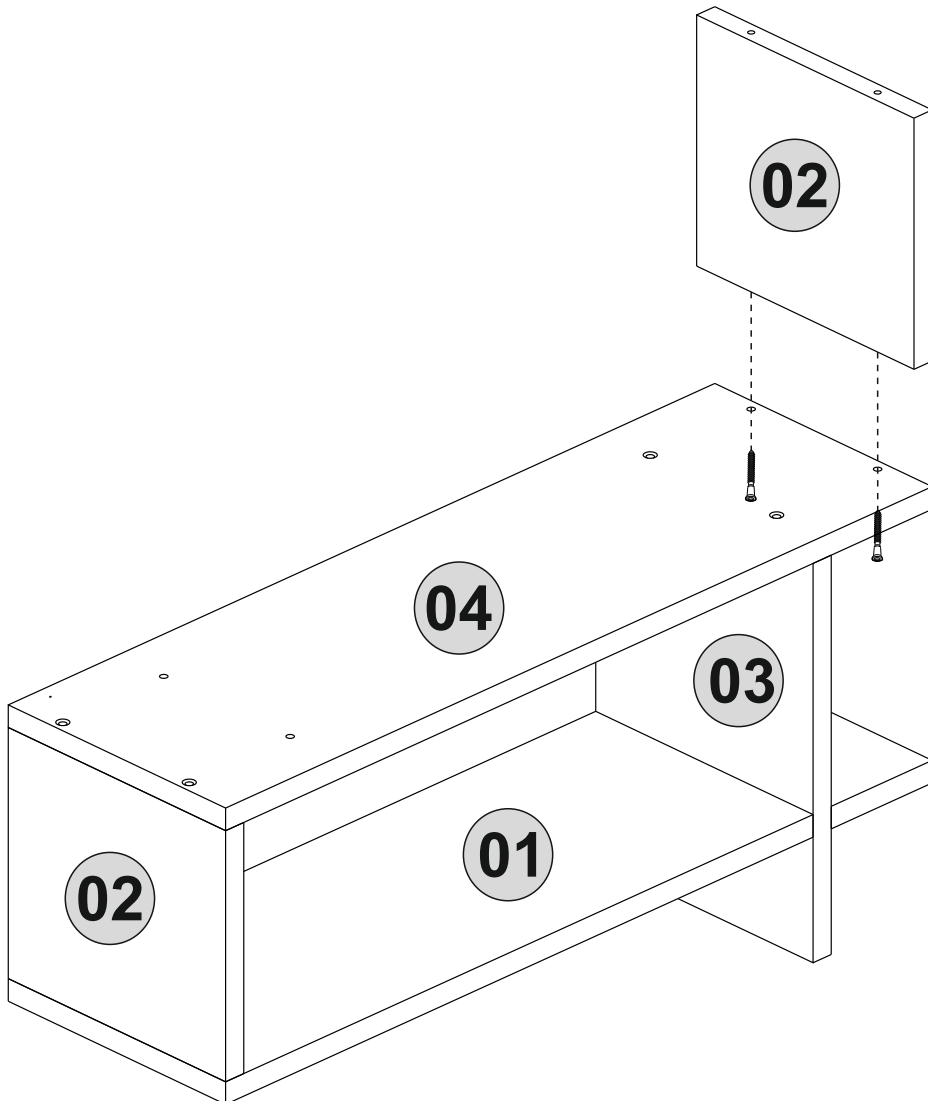
2. step



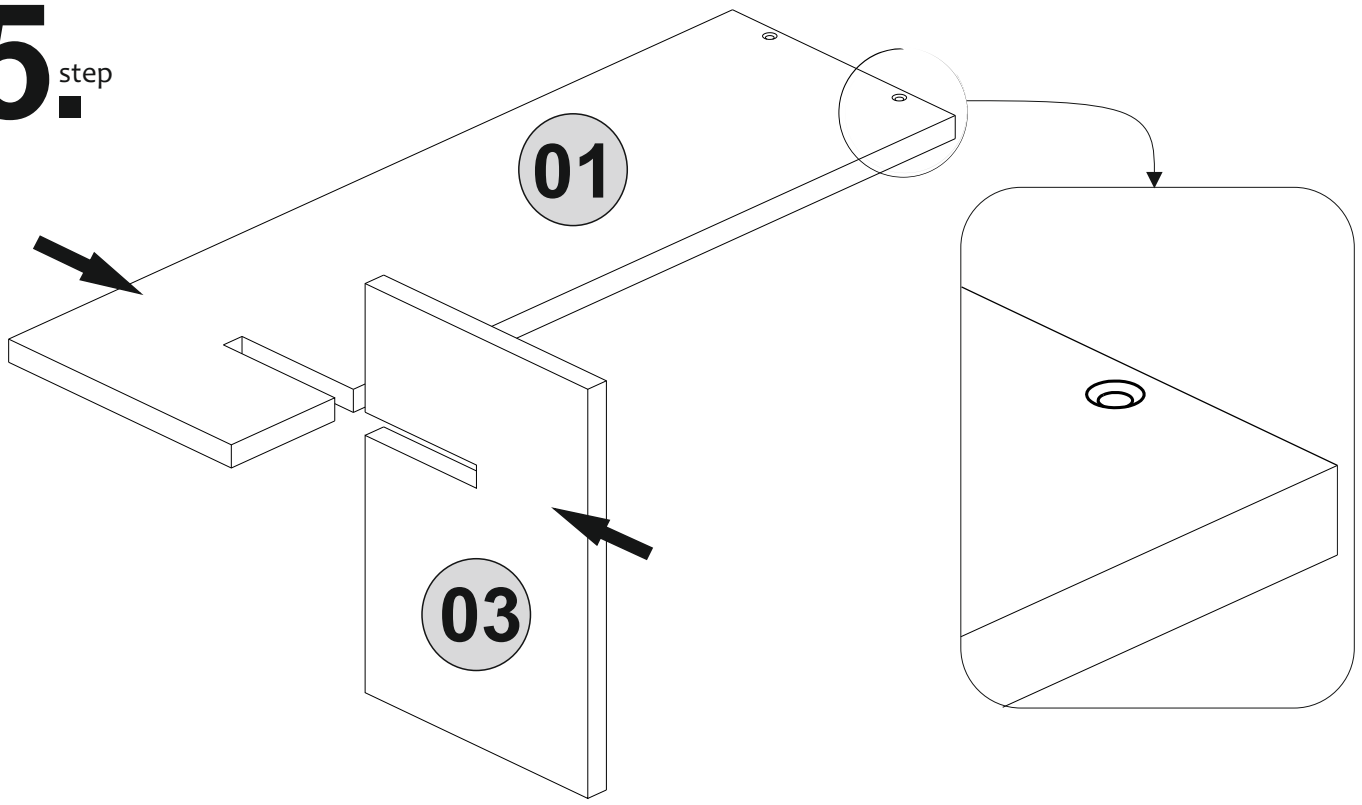
3_{step}



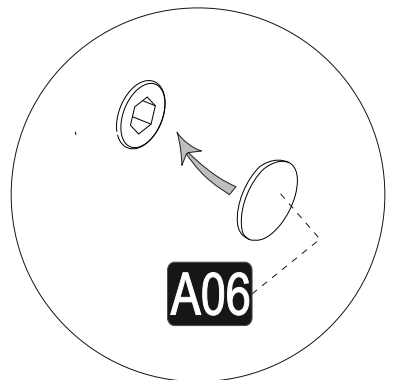
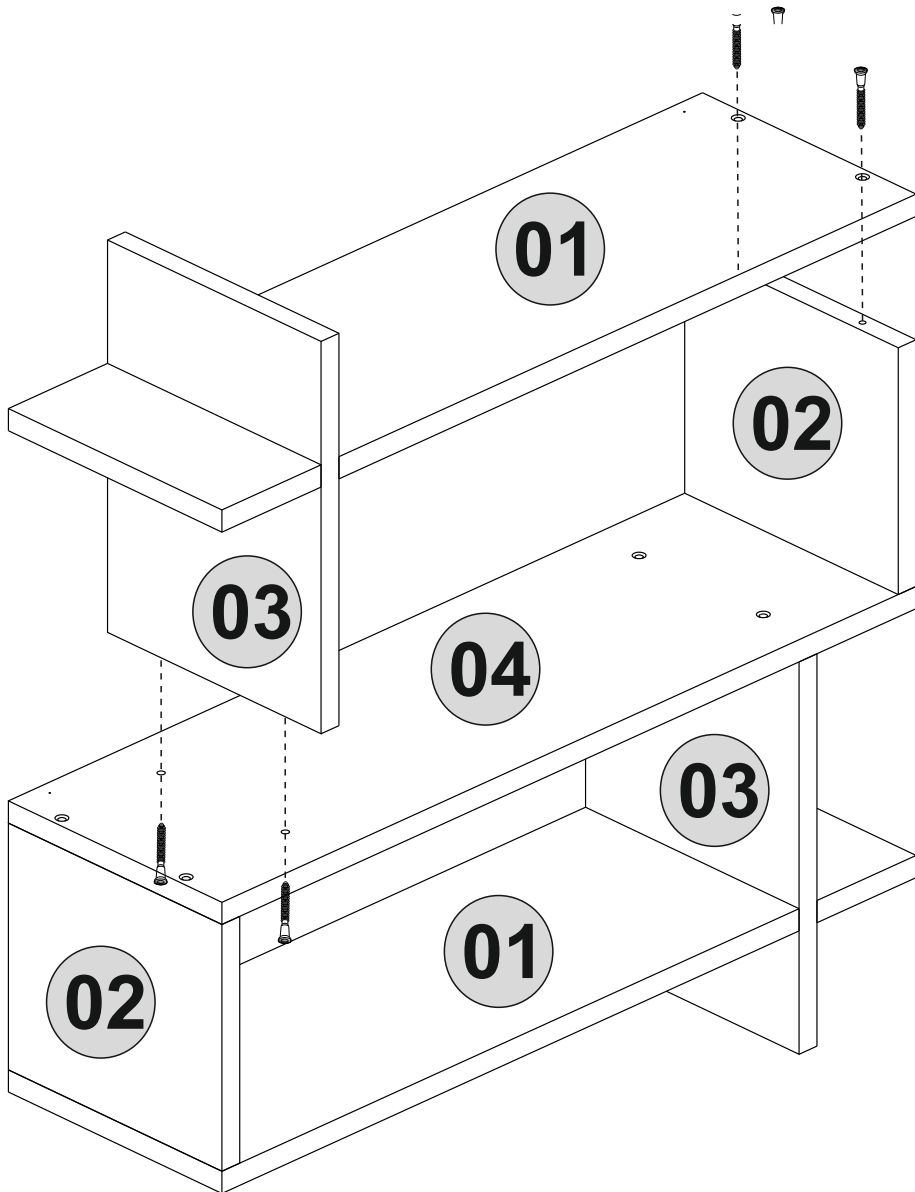
4_{step}



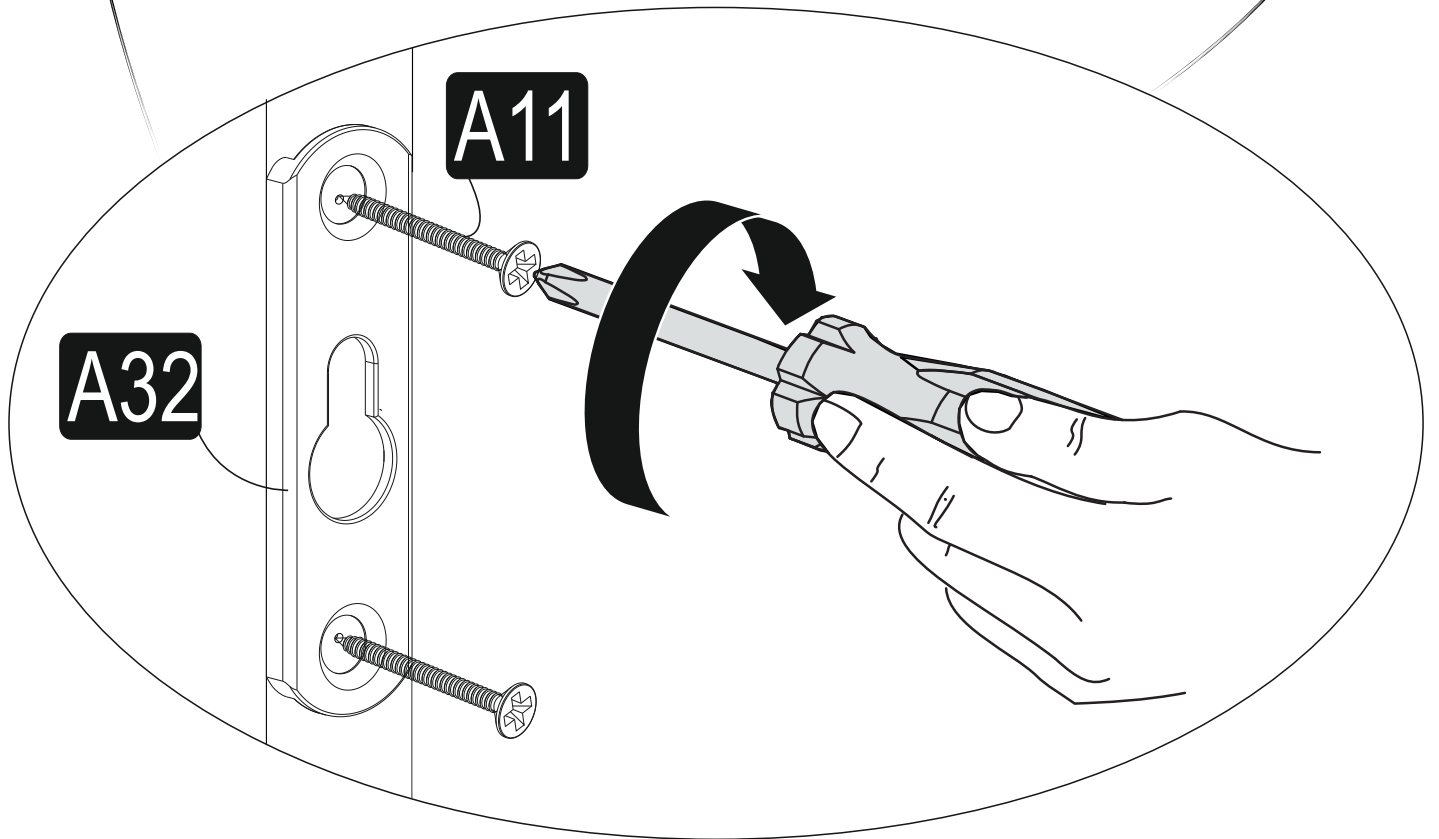
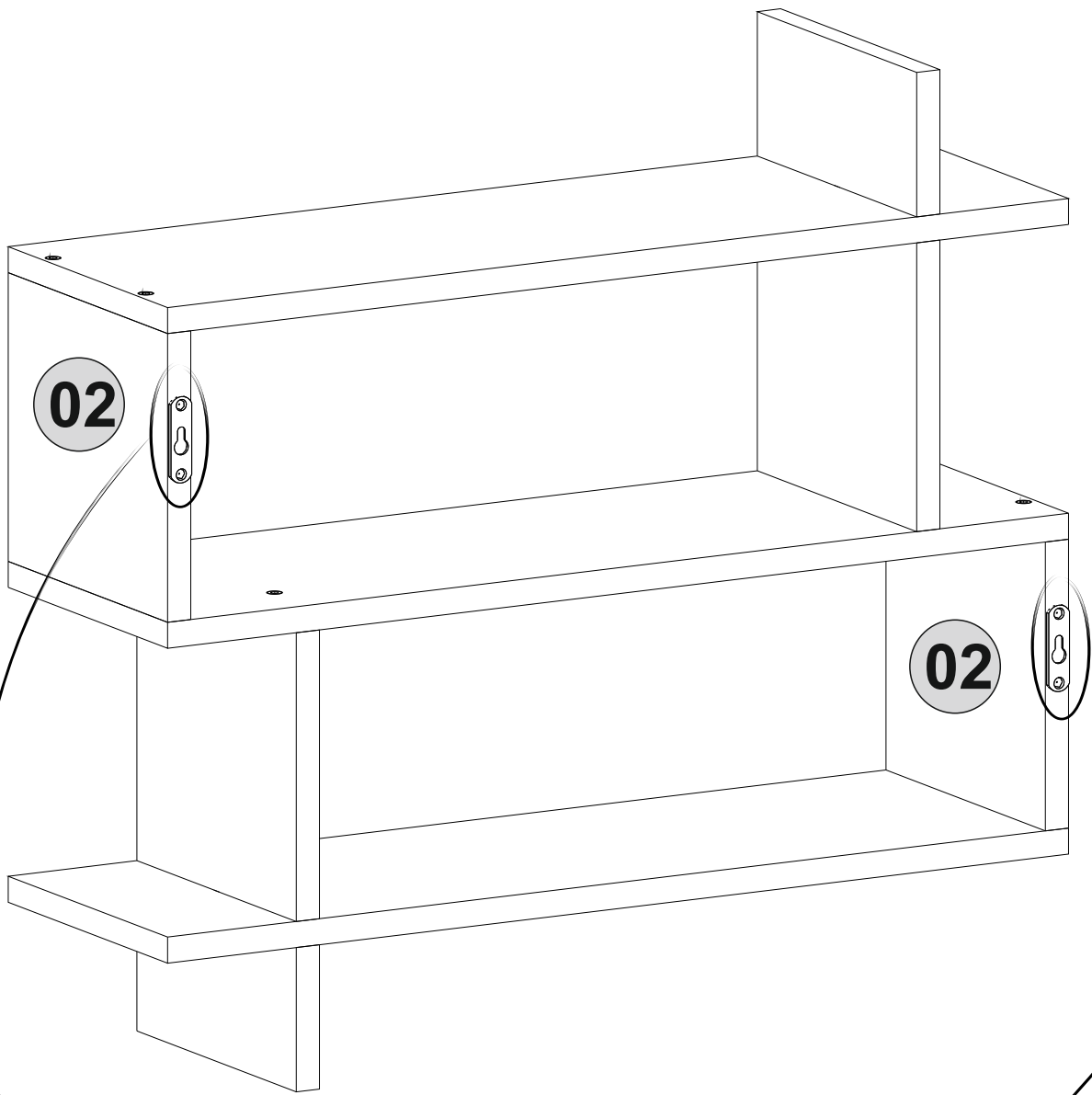
5. step



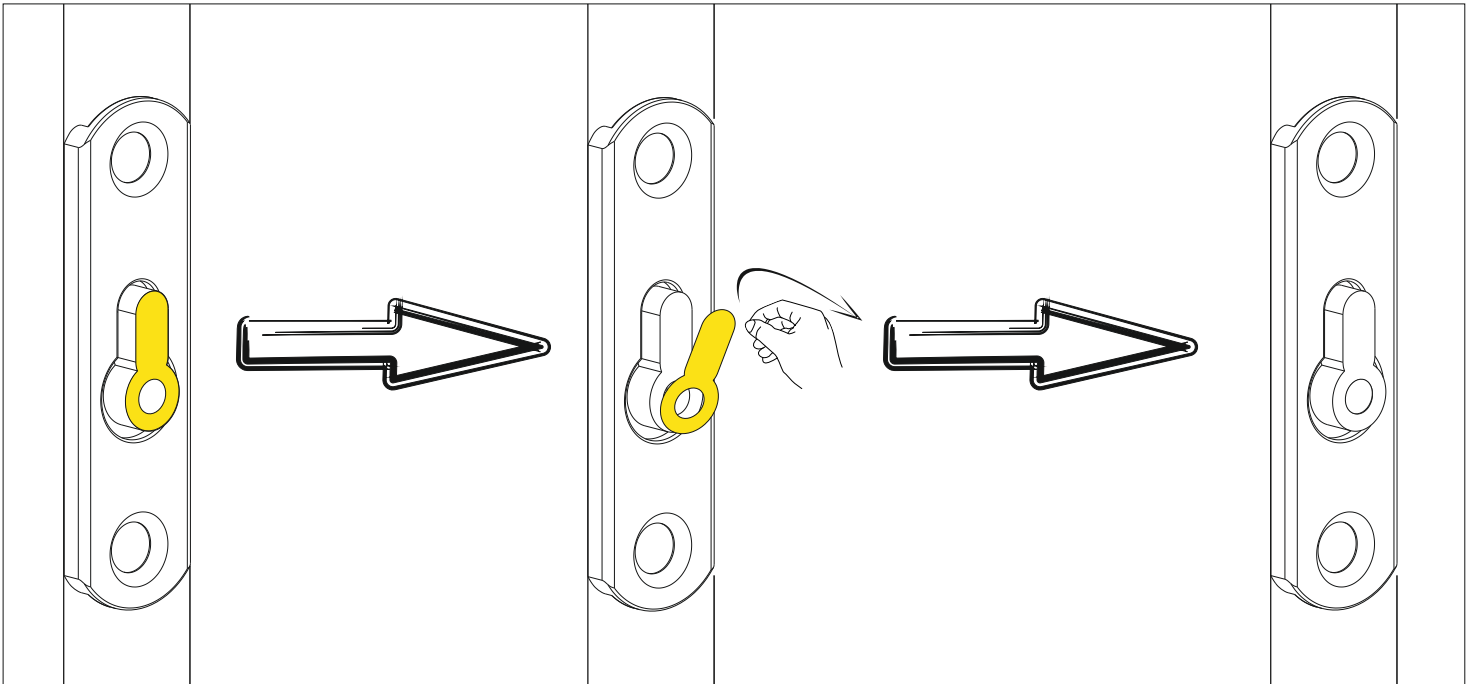
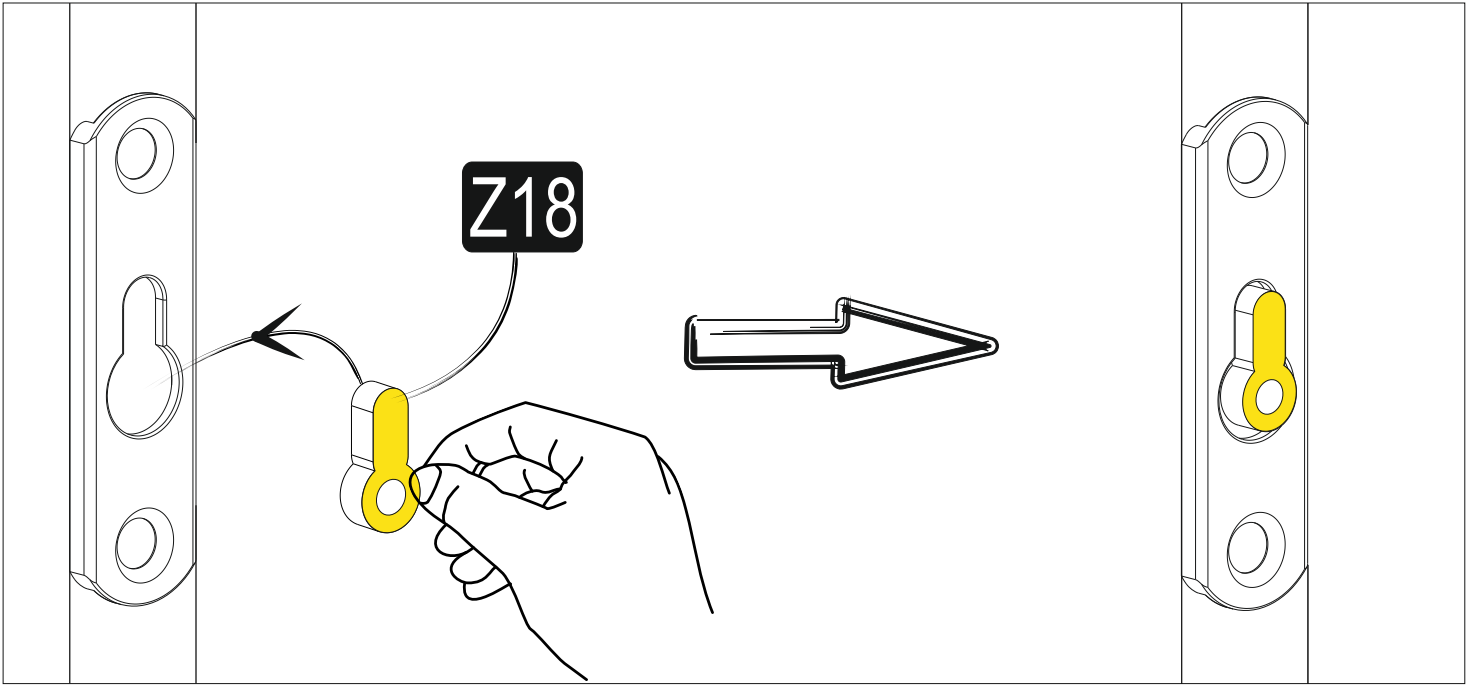
6. step



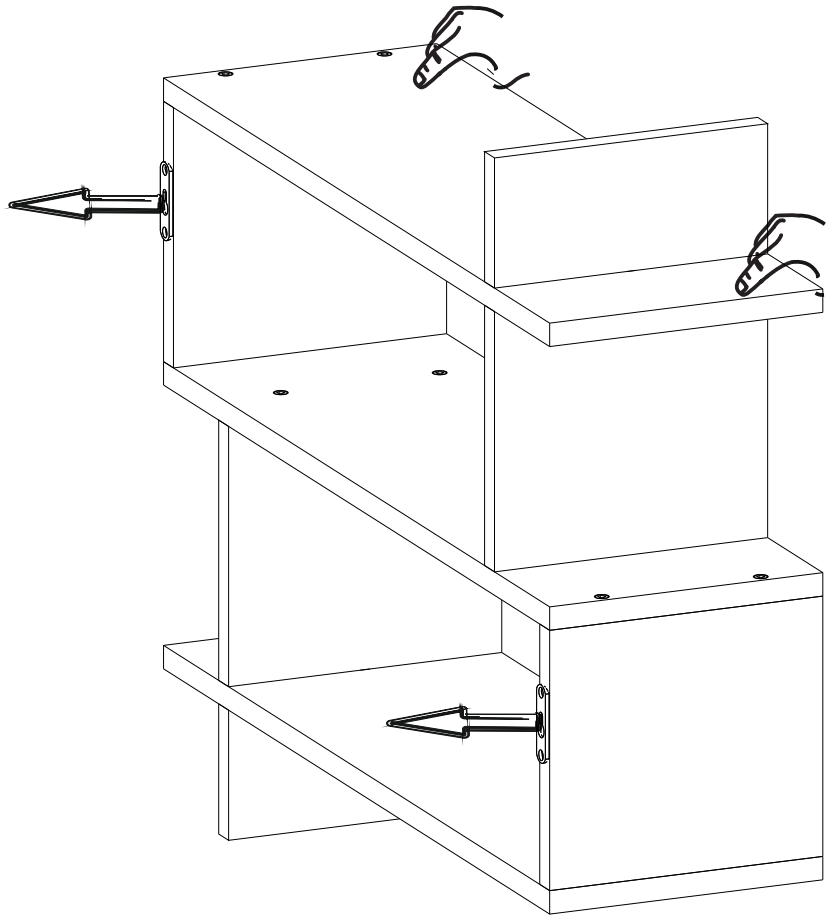
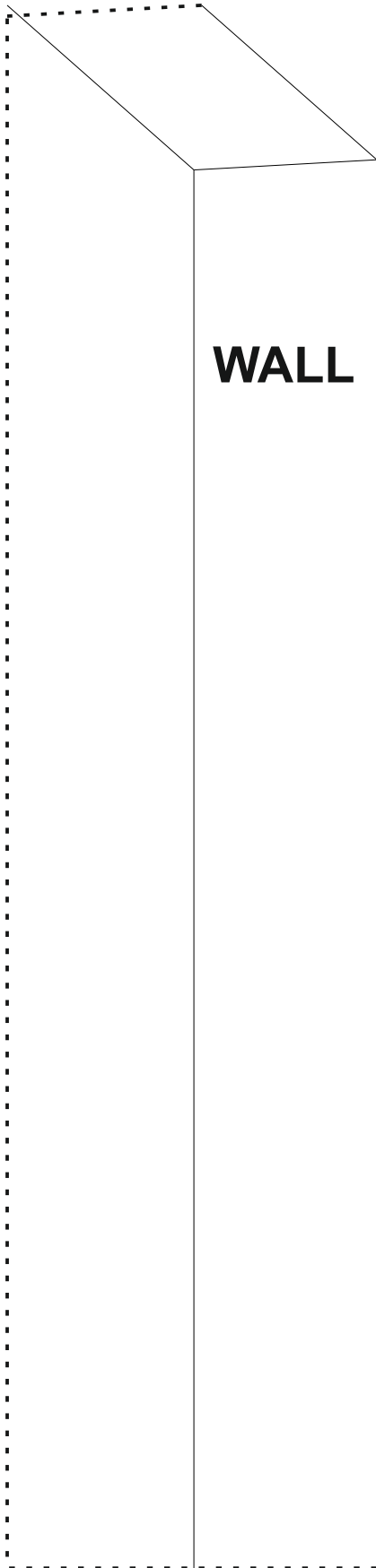
7 step



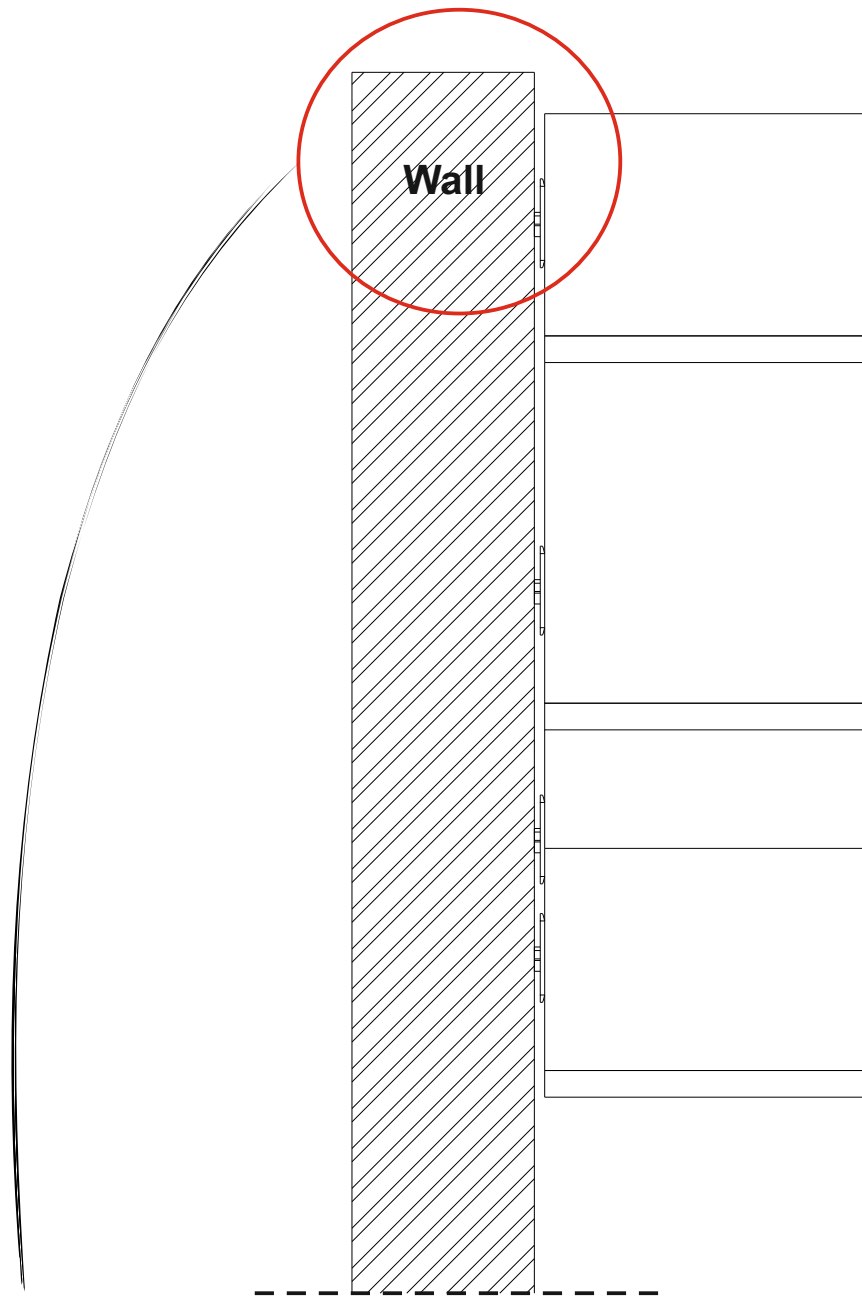
8 step



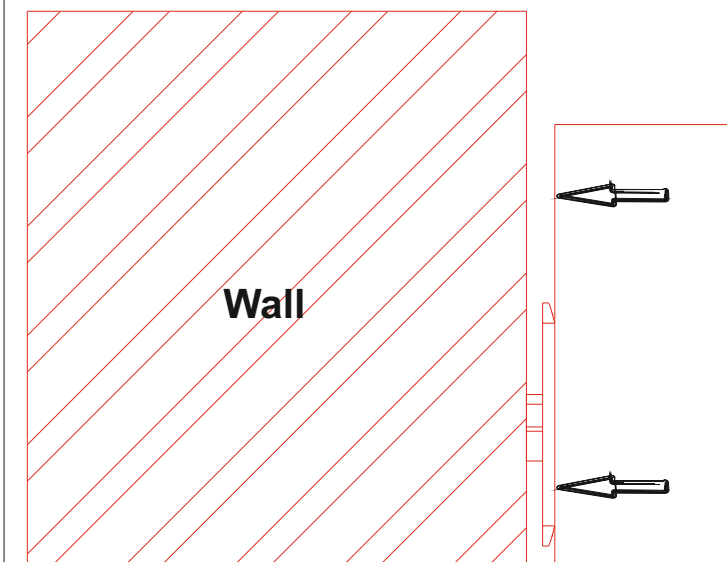
9^{step}



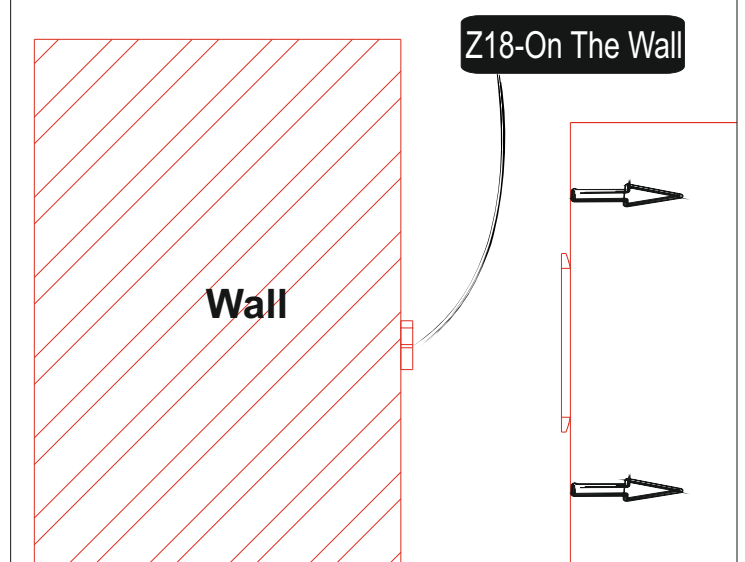
10_{step}



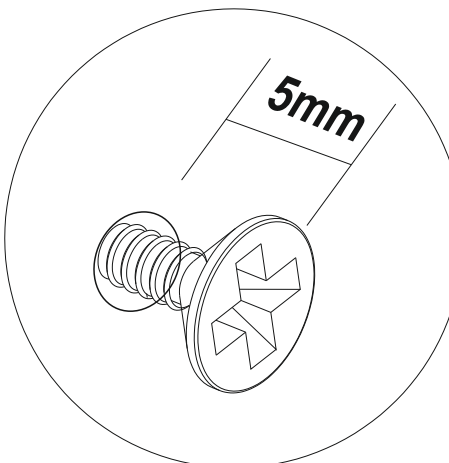
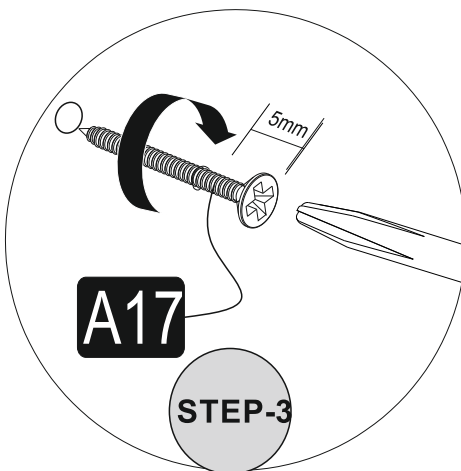
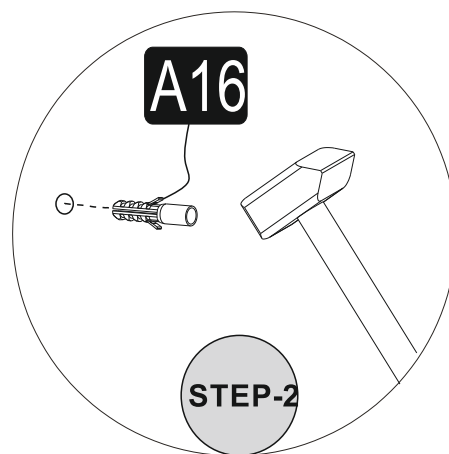
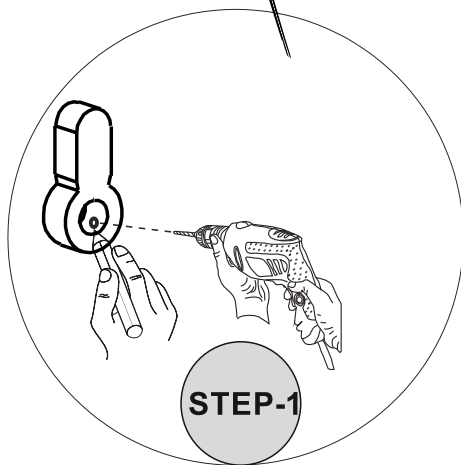
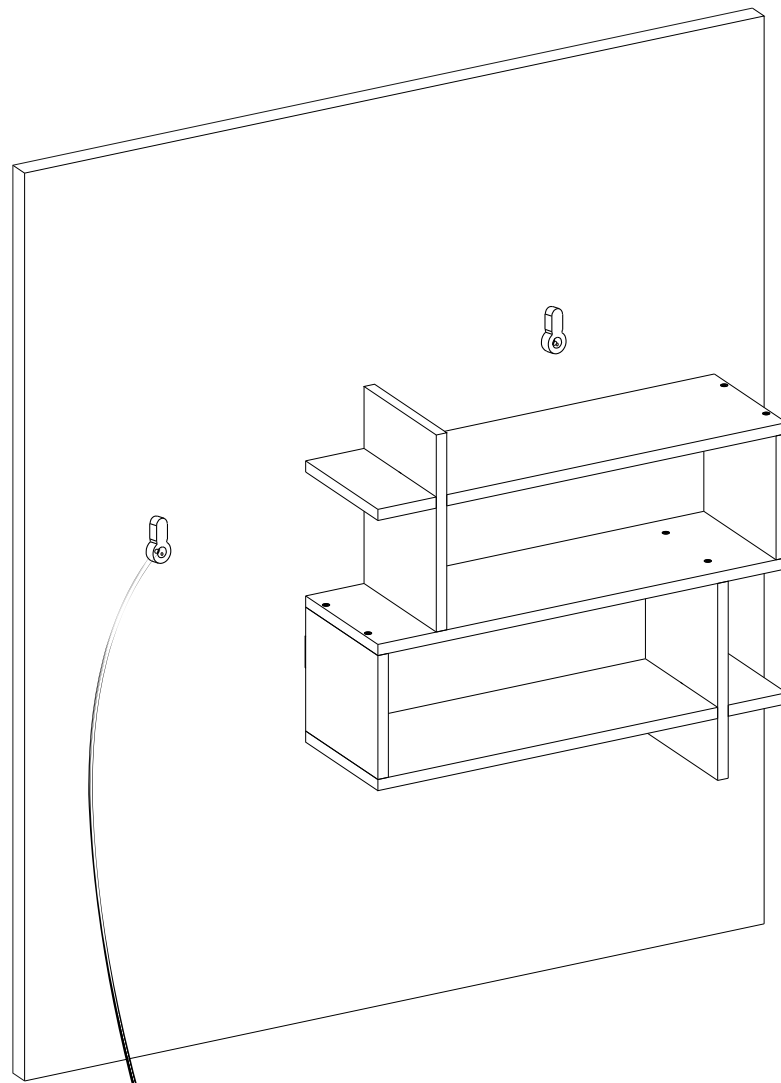
Step - 1



Step - 2



11^{step}



12_{step}

