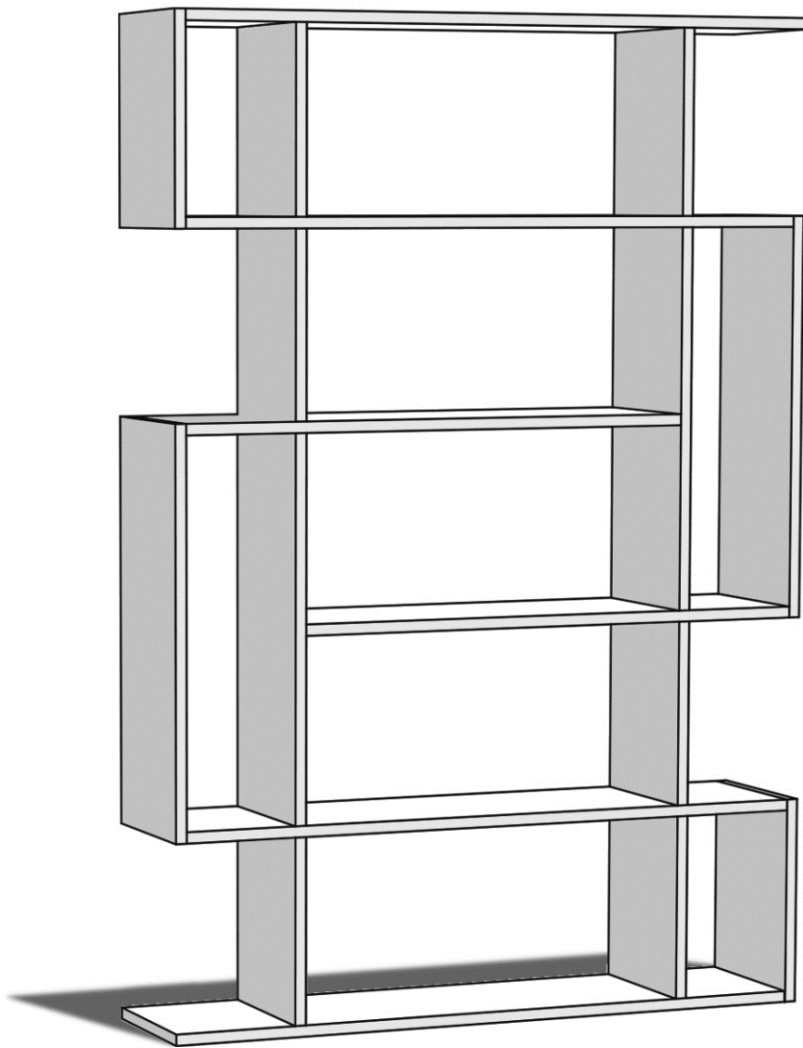
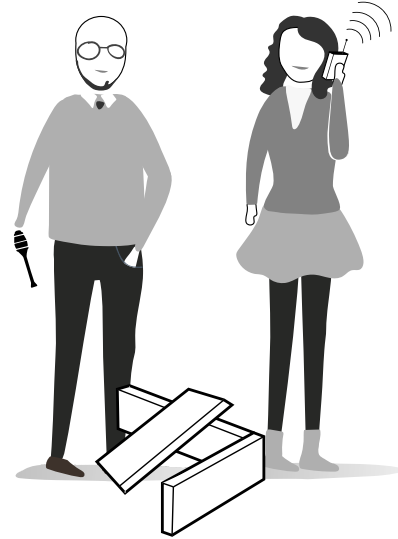
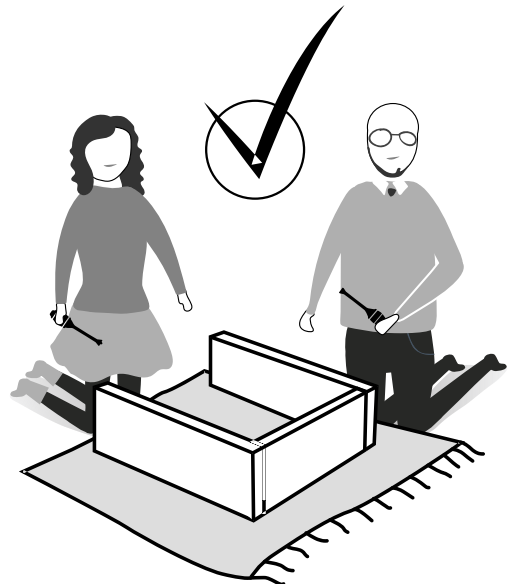
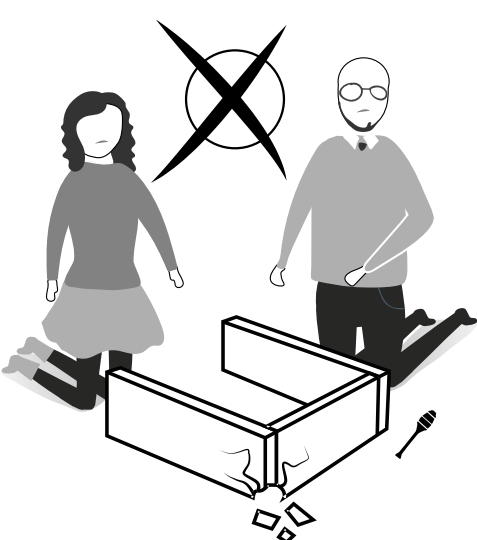
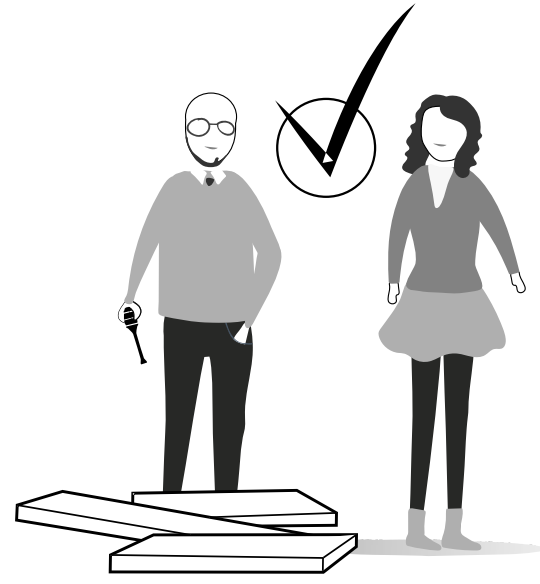
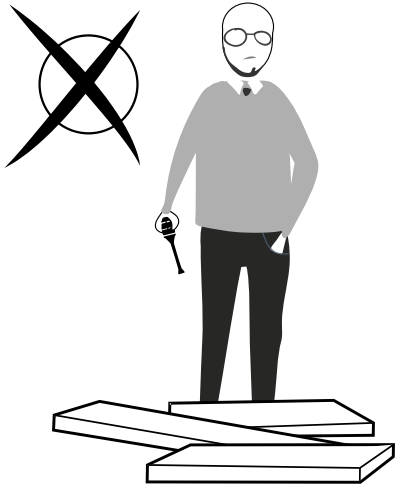


GP037-0031,1





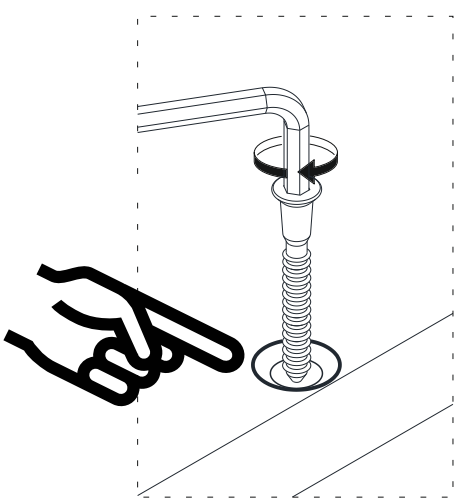
ATTENTION !!

Our products are screw system. Before you proceed with installation try to understand the following

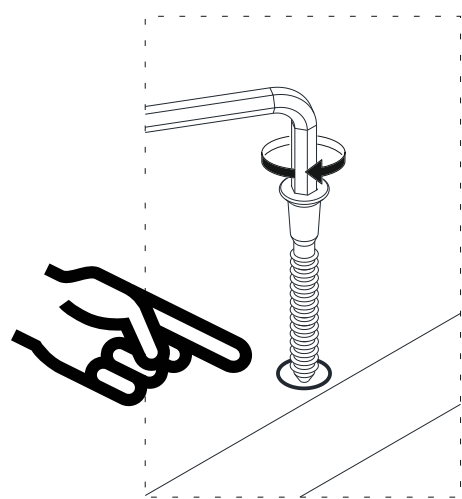
A13



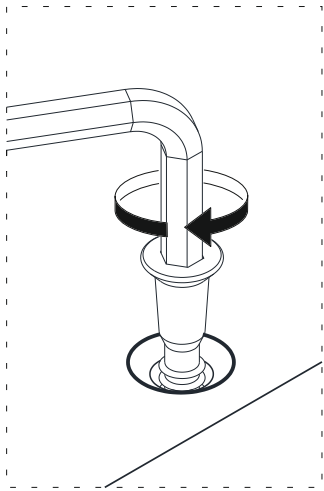
1



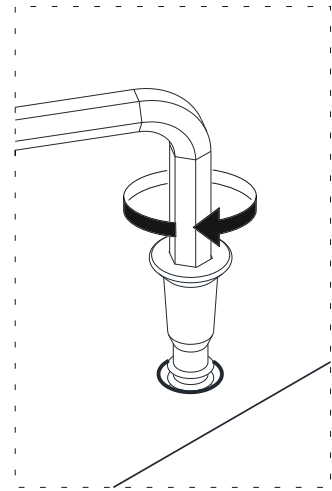
1



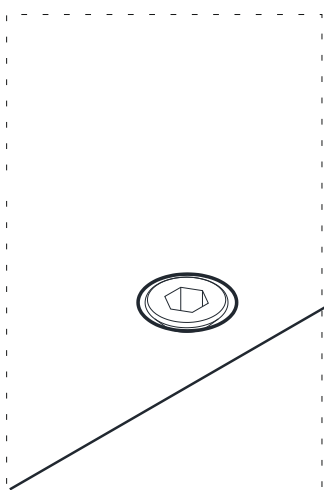
2



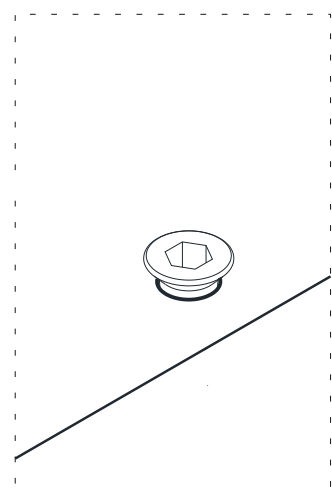
2



3






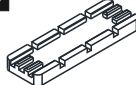
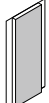
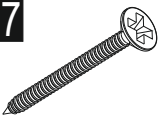


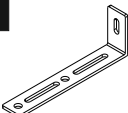
3

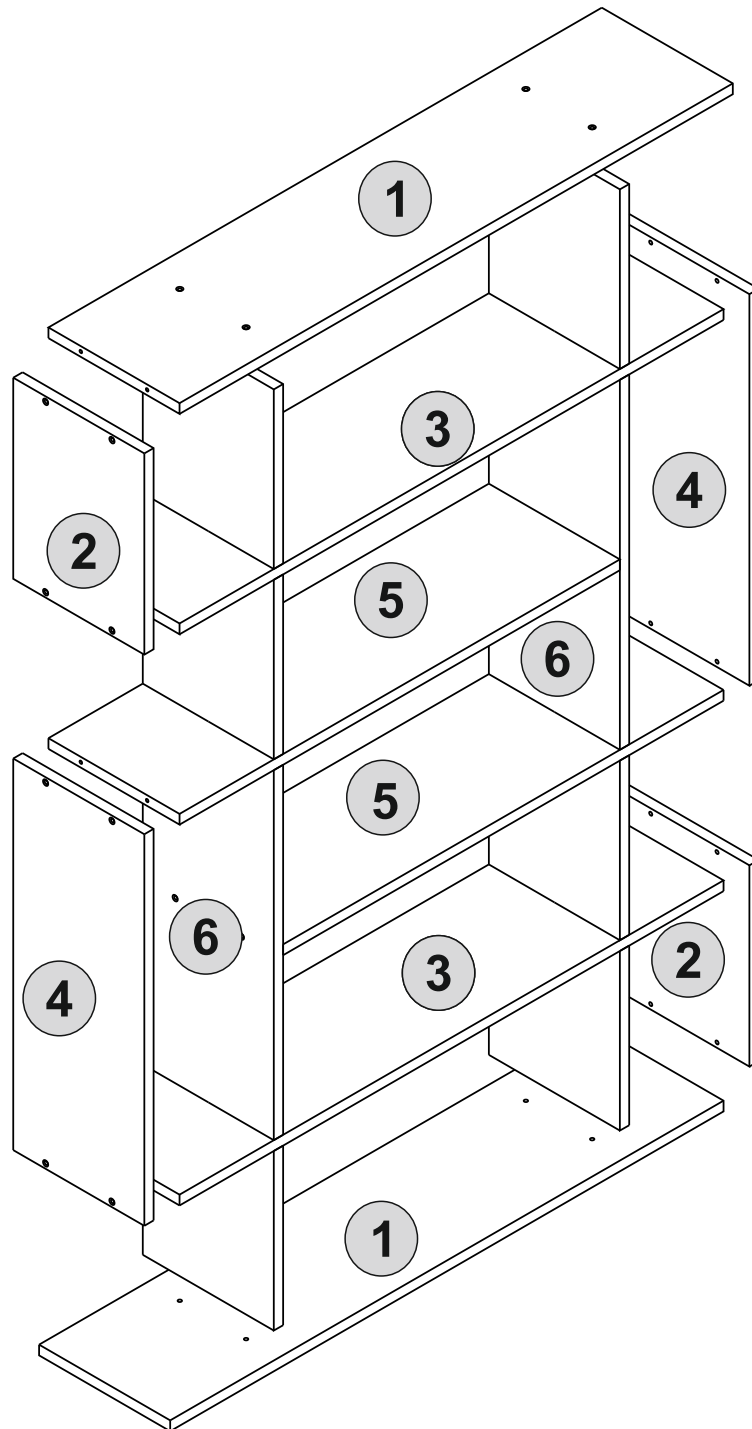


Follow the installation steps in the order as shown.
Position the parts as shown in the installation guide steps.



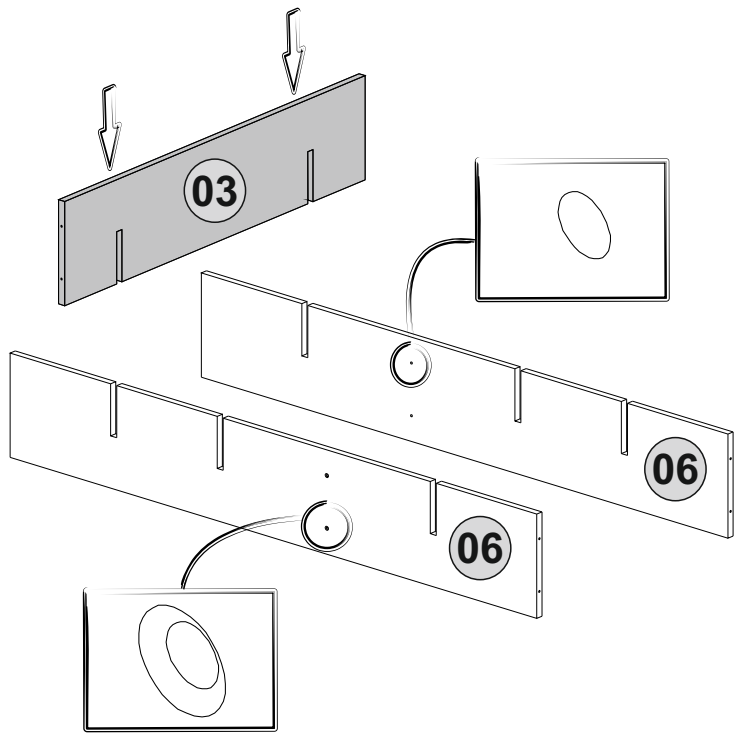
ACCESSORY LIST

A13  50mm 28x	A12  Allen 1x	A06  18mm C1-24x C2-4x	A08  5mm 4x	Y03  Ctpb 4x
A17  4x50 1x	A16  DbØ8 1x	A18  3,5x18 2x	A87  15x90x30 1x	

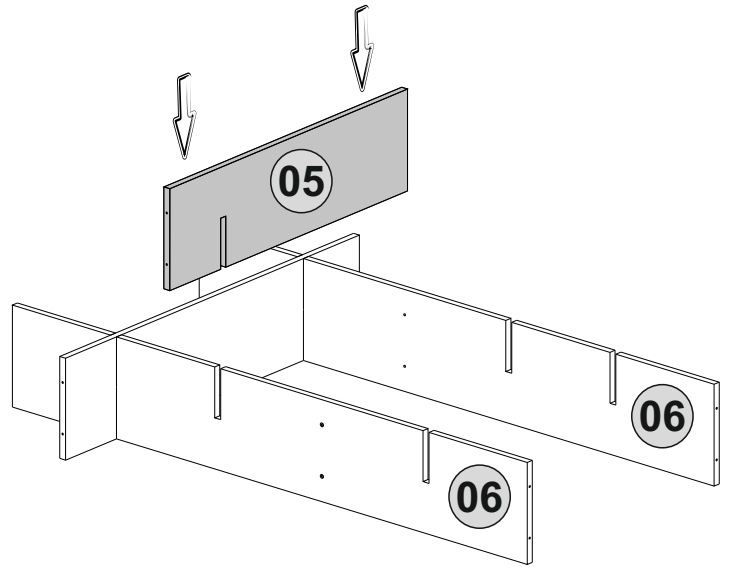


1. step

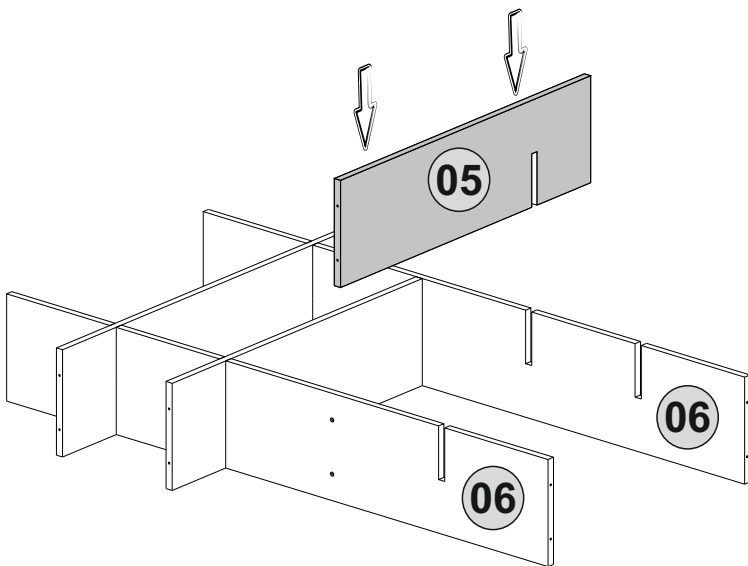
1.a



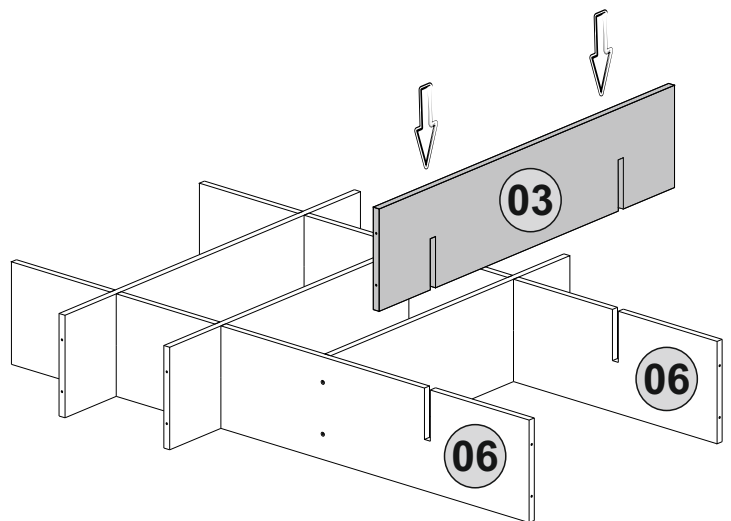
2.a



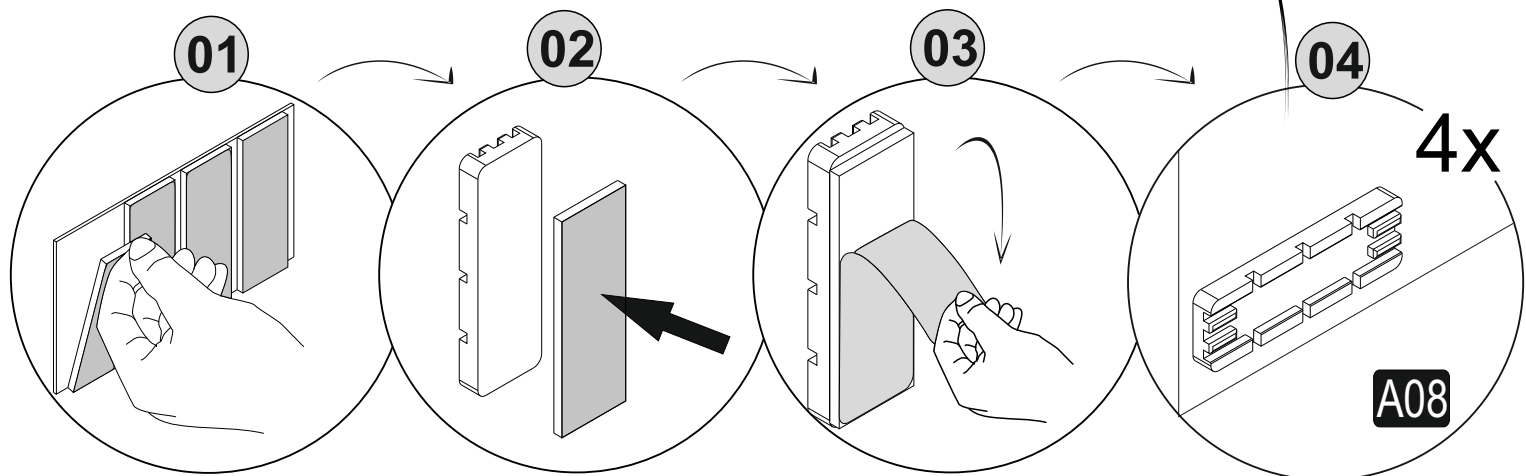
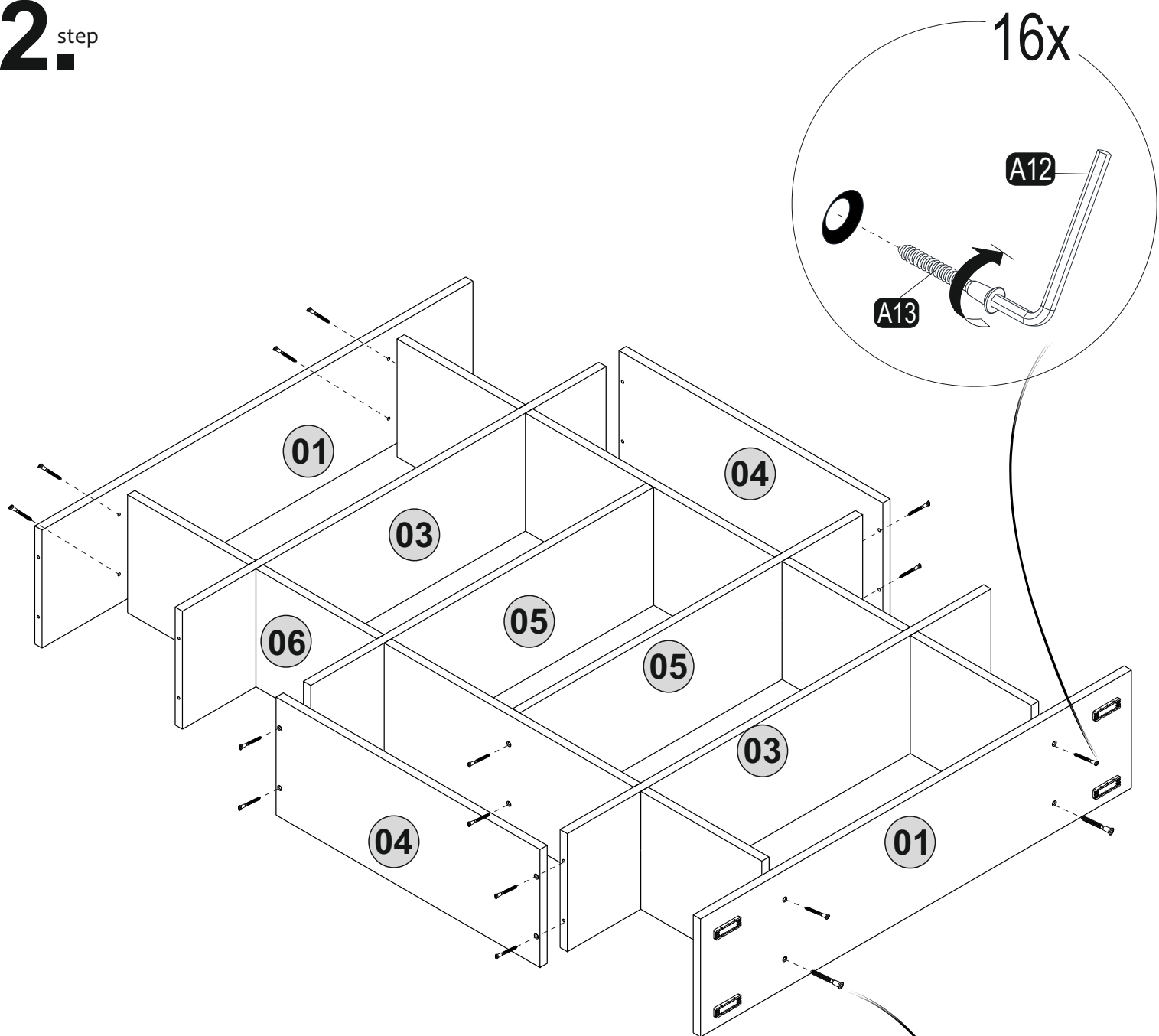
3.a



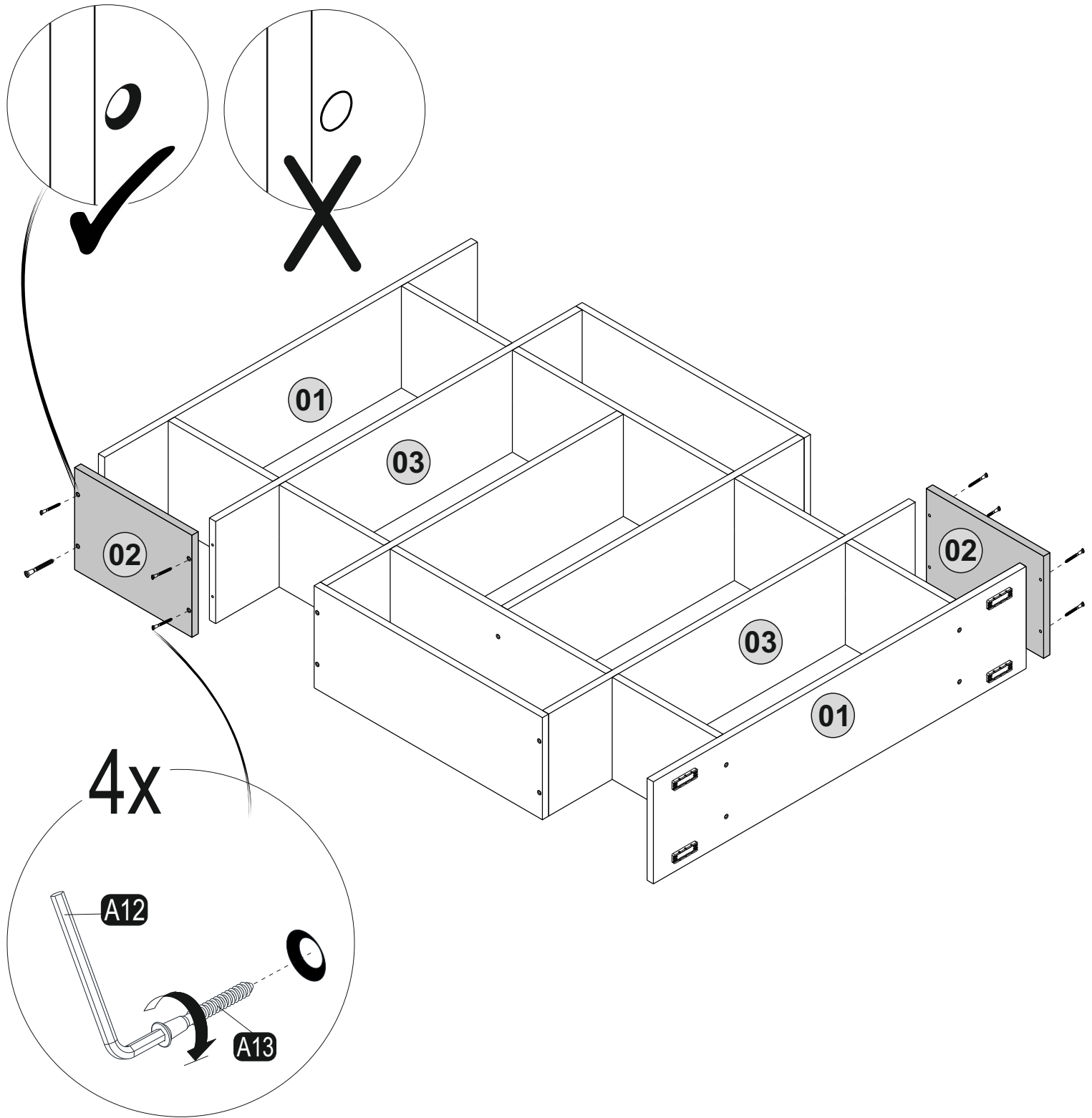
4.a



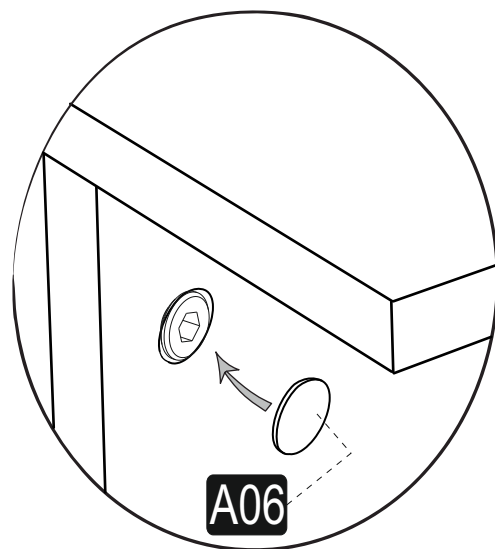
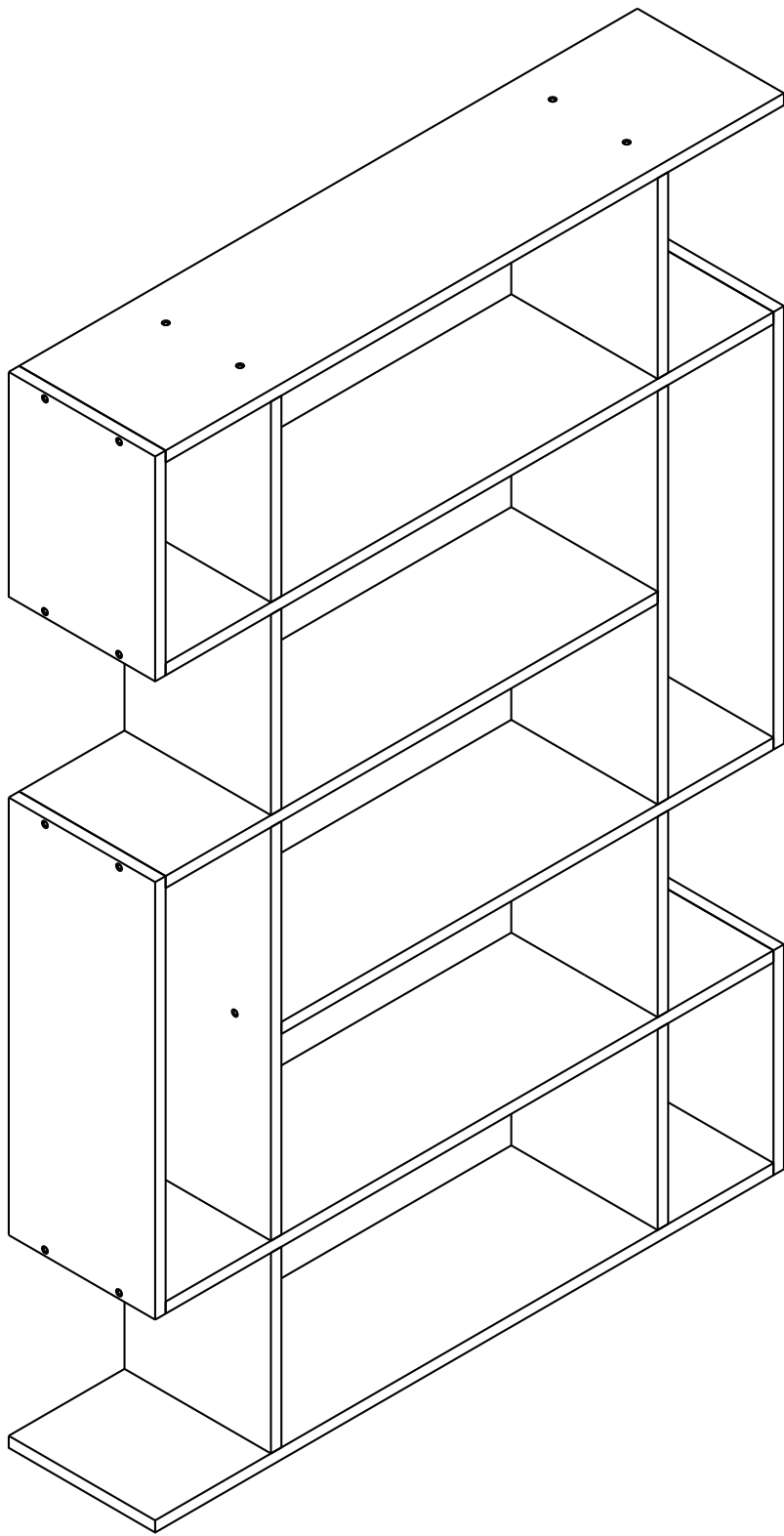
2^{step}



3^{step}



4^{step}



5th step

