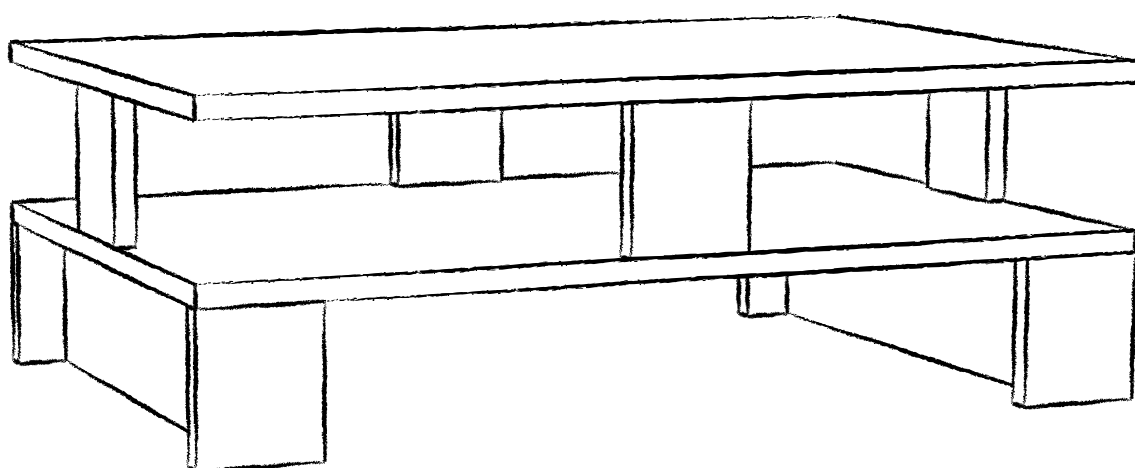
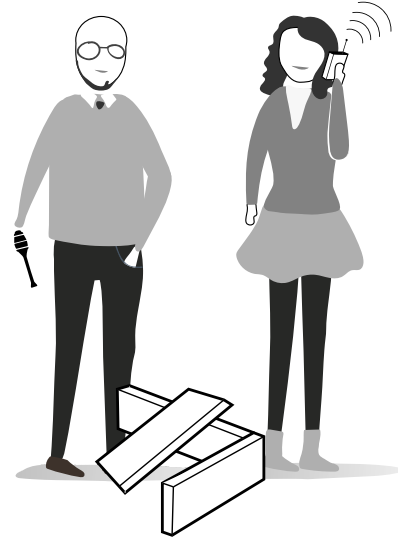
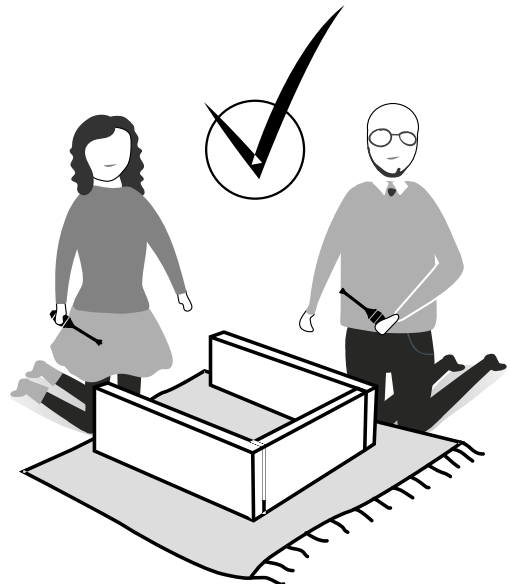
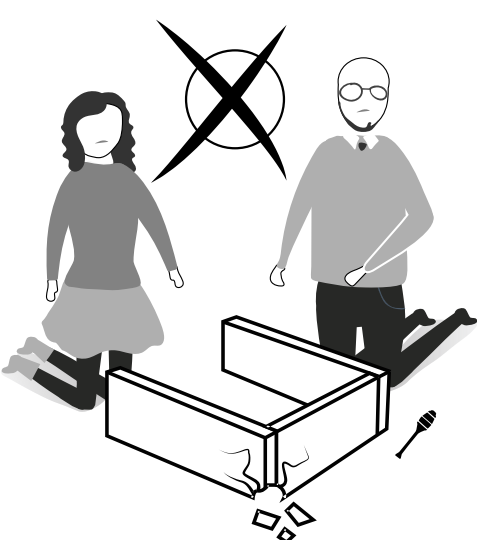
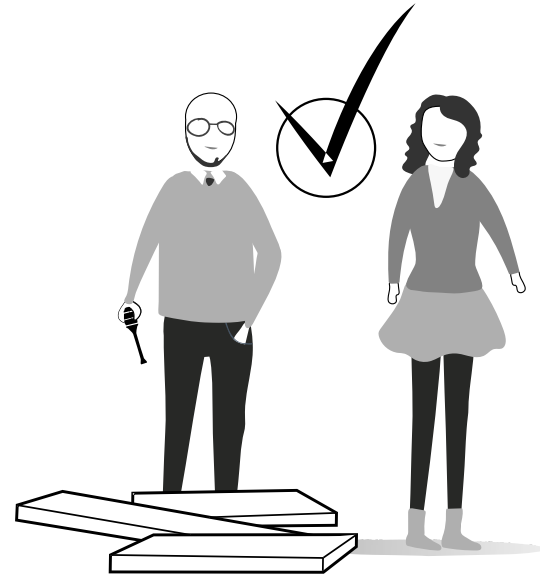
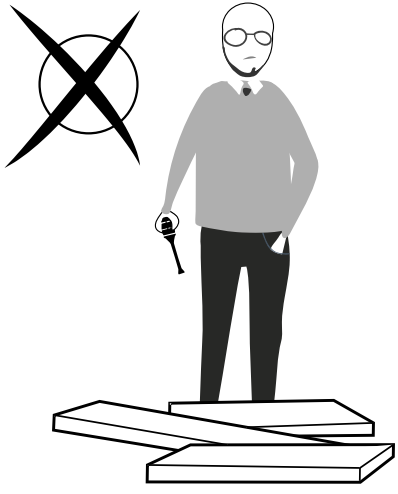


GP037-0030,2

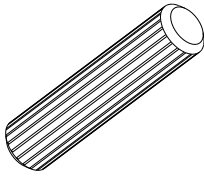




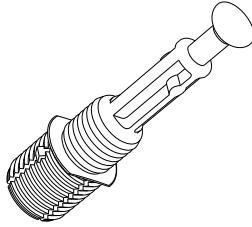
ATTENTION !!

Minifix is the main connection material used in ada products.
Before starting assembly, please check the drawings below.

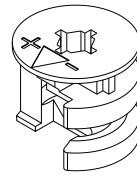
A04



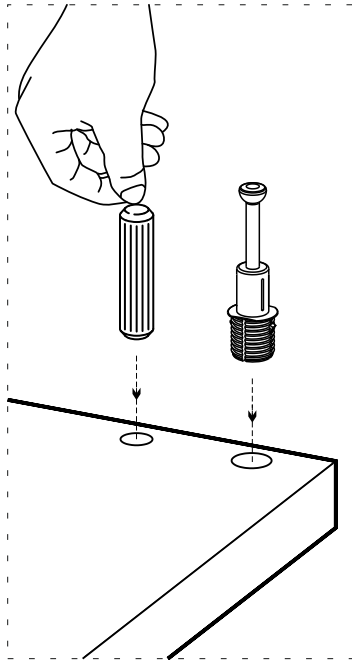
A23



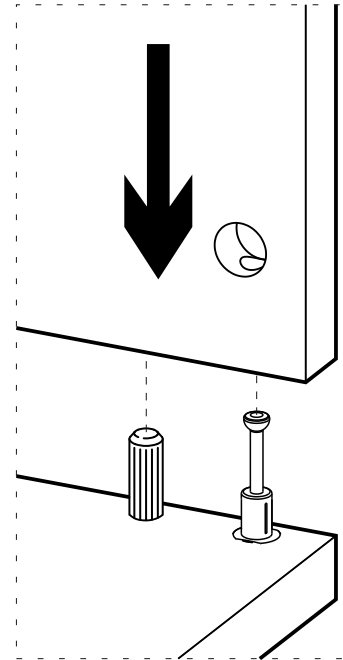
A22



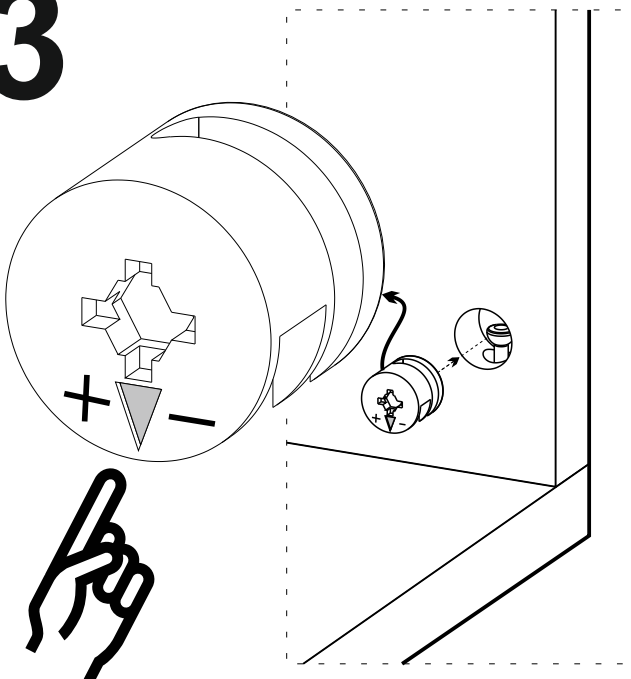
1



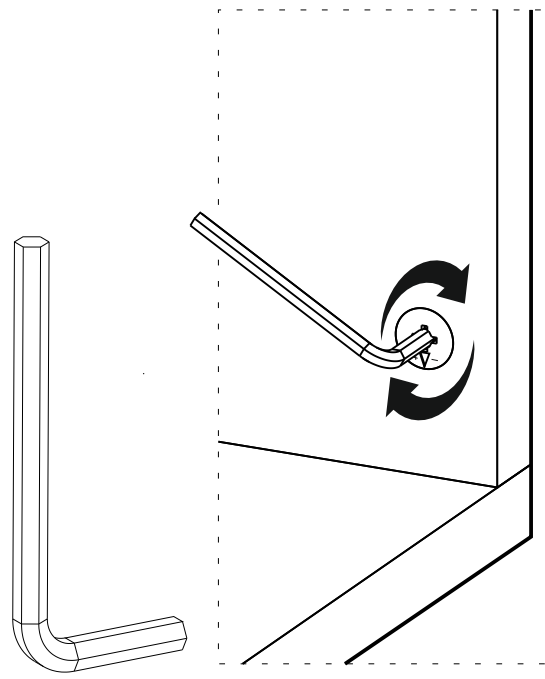
2



3







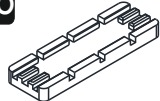

4

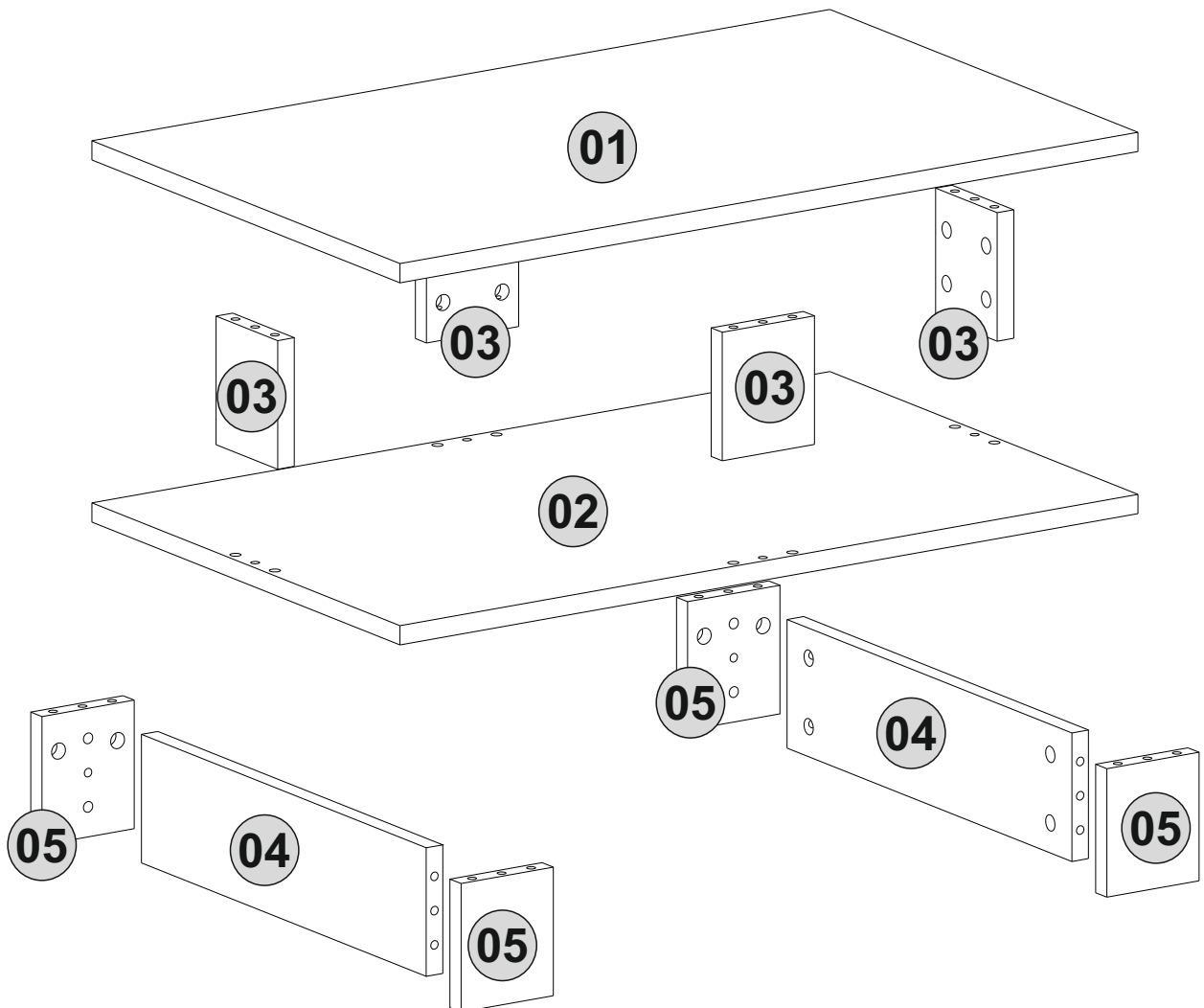


Follow the installation steps in the order as shown.
Position the parts as shown in the installation guide steps.

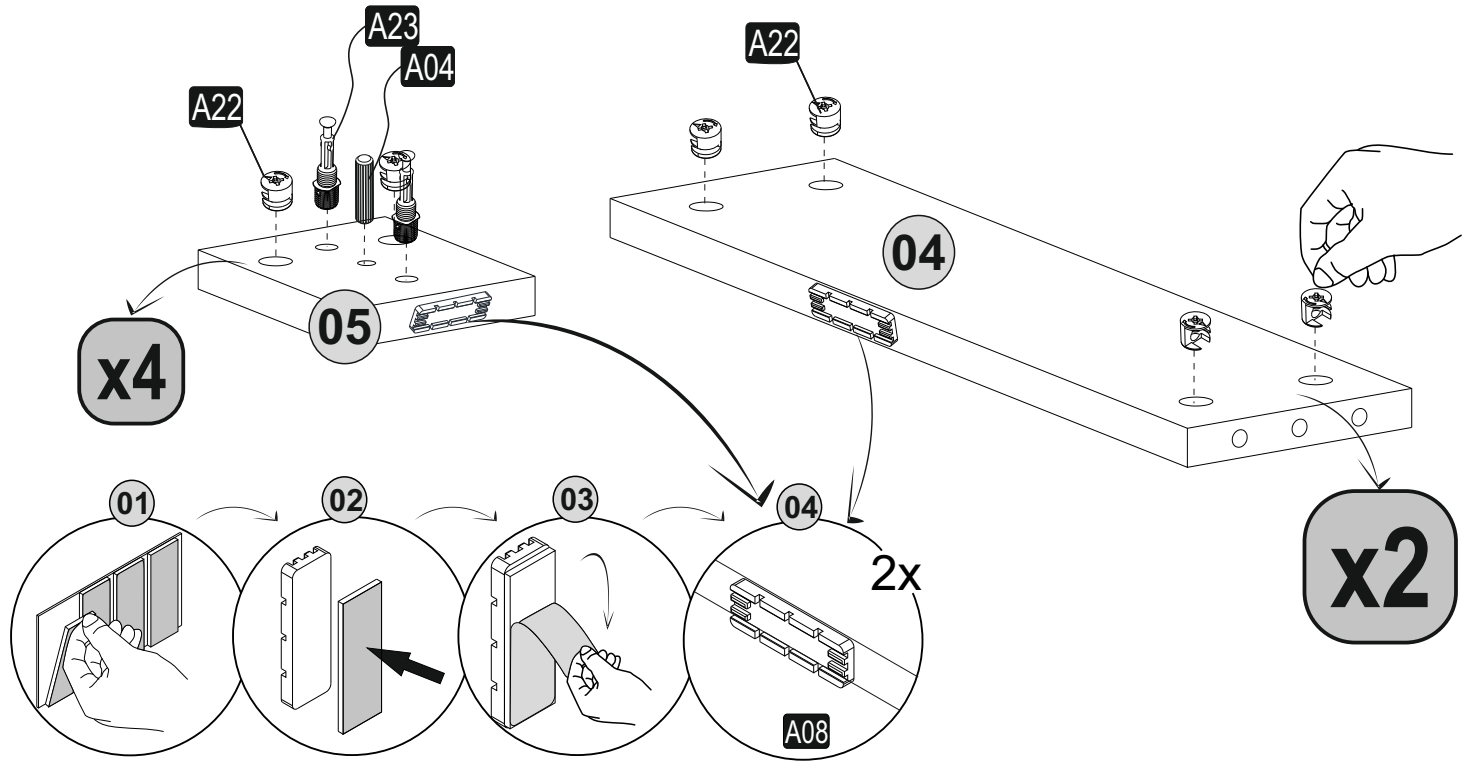


ACCESSORY LIST

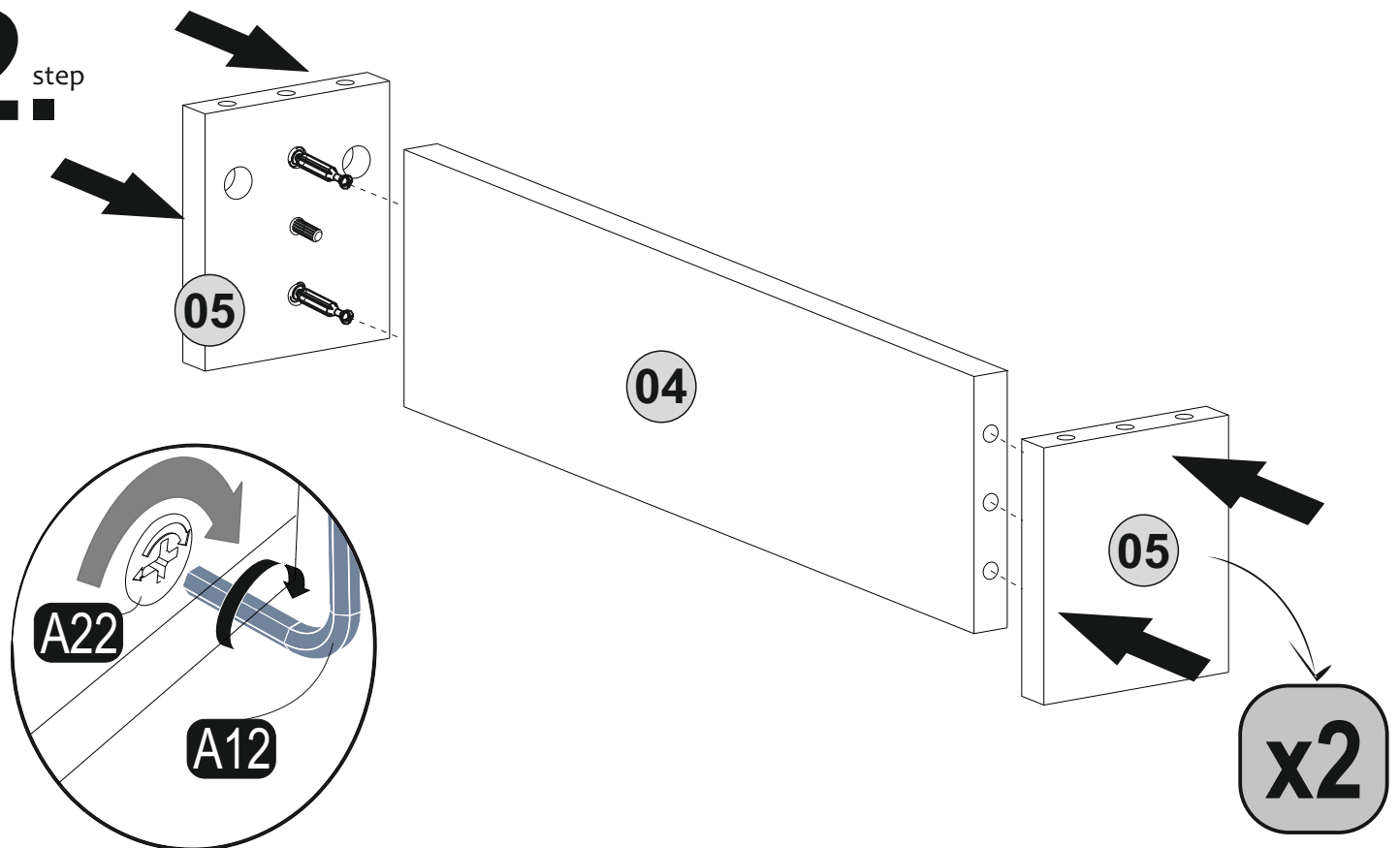
| | | | | |
|--|--|---|---|--|
| A22 Minifix k18  32x | A23 Minifix M10  32x | A04 Ø8  16x | A12 4 SW  1x | A08  6x |
| A06 18 mm  32x C1 | | | | |



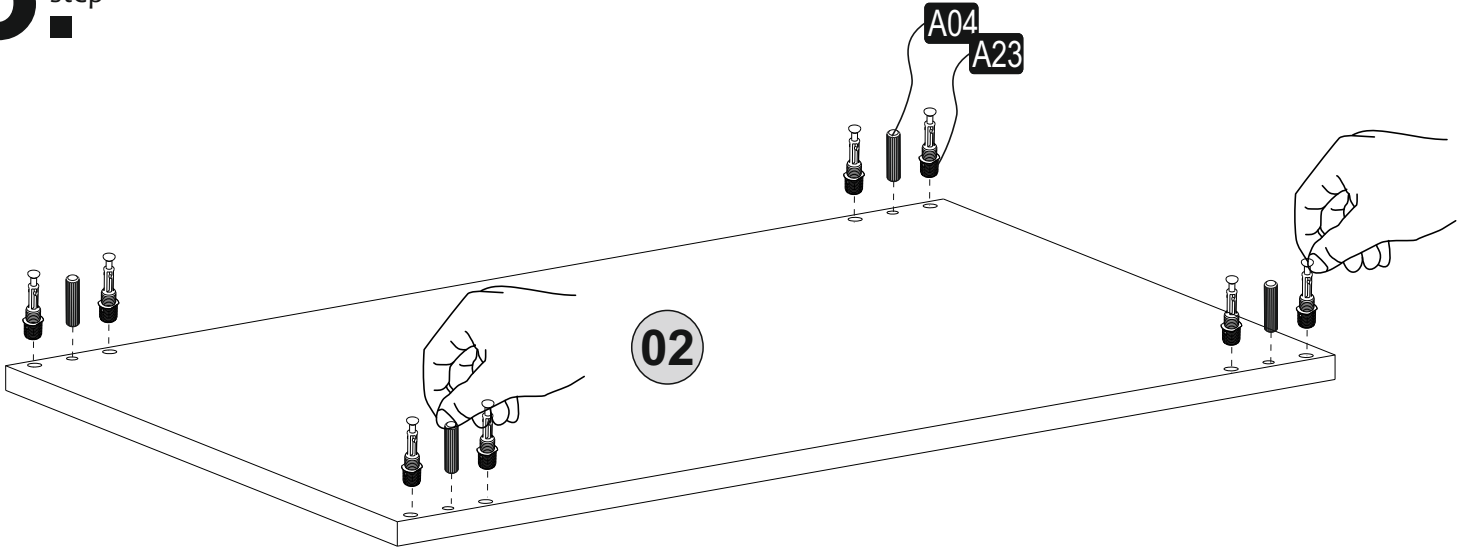
1. step



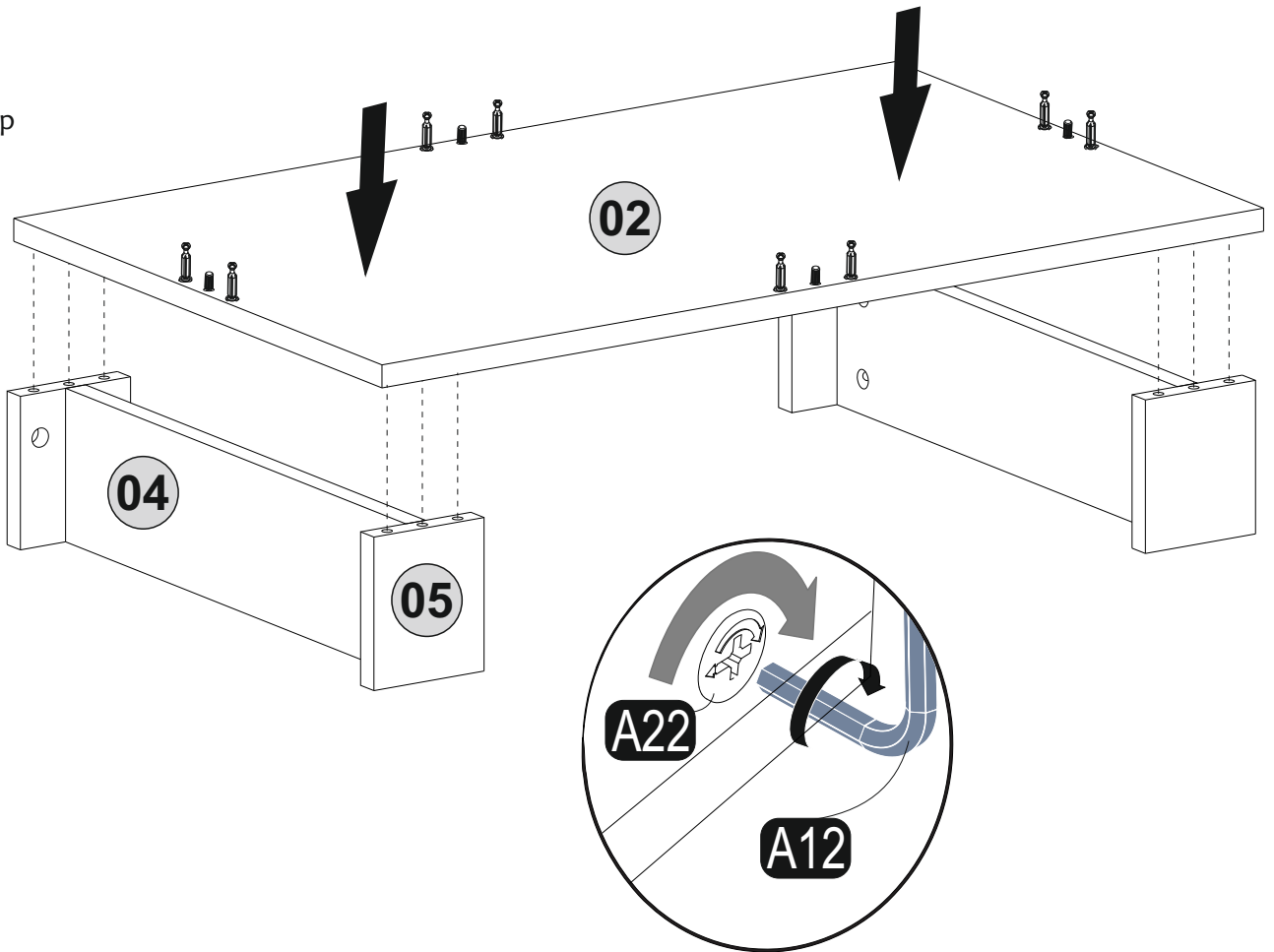
2. step



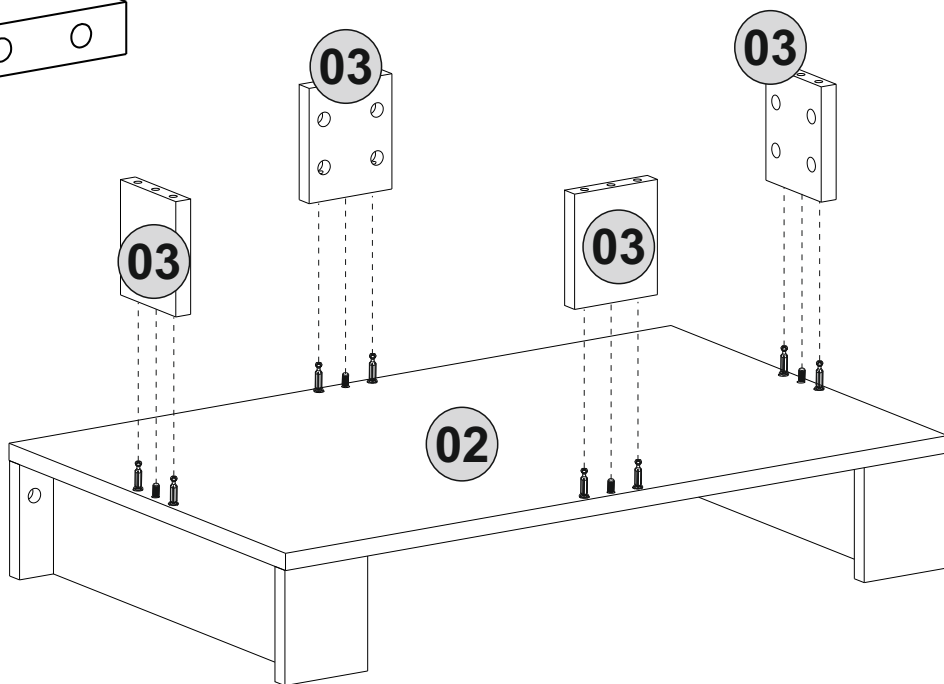
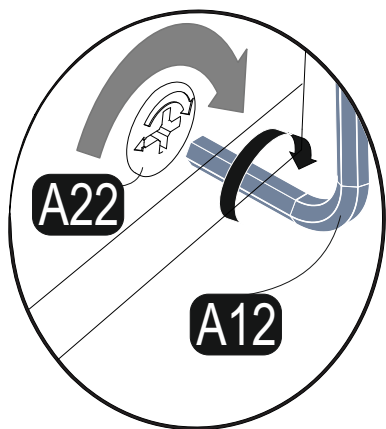
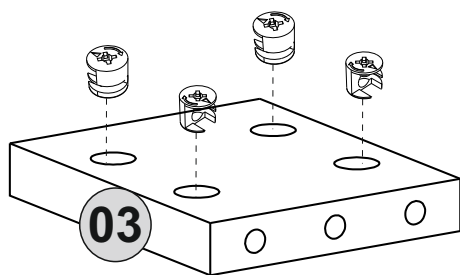
3. step



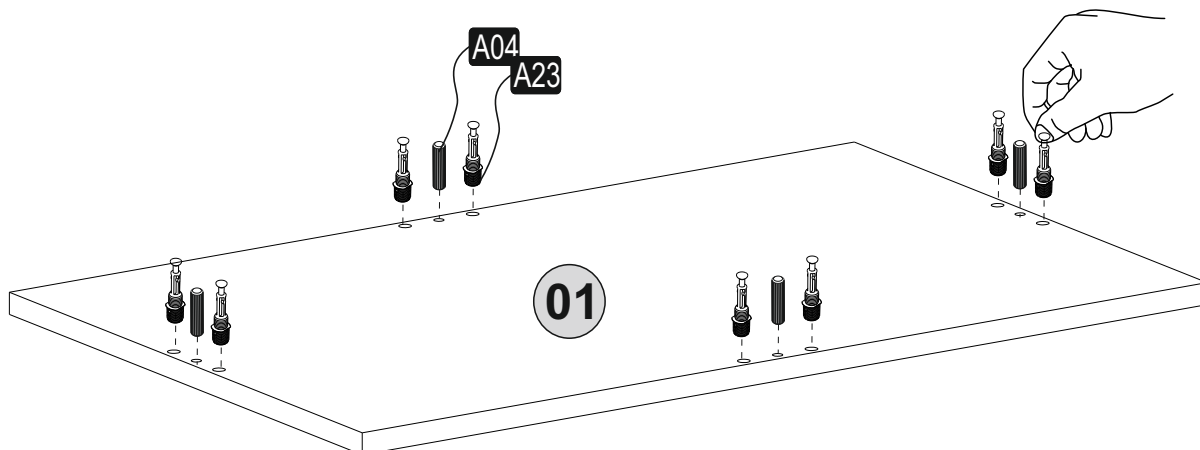
4. step



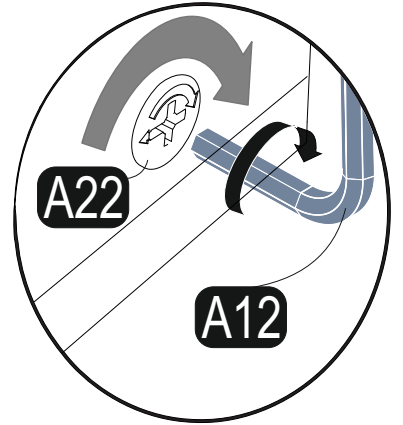
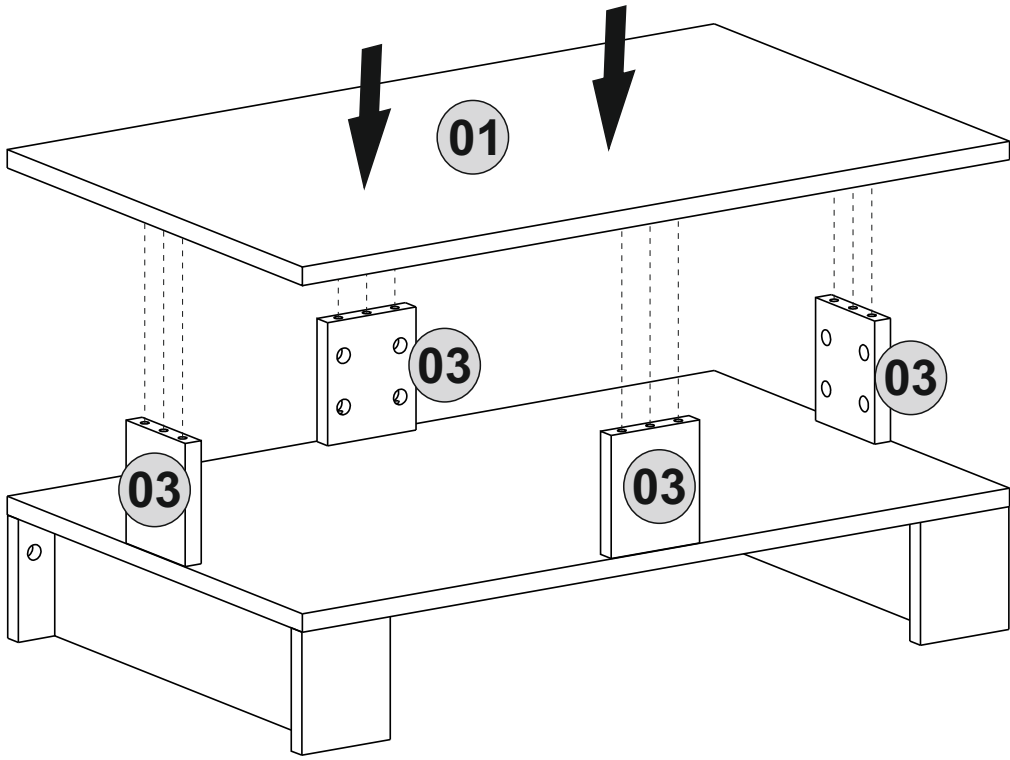
5. step



6. step



7 step



8 step

