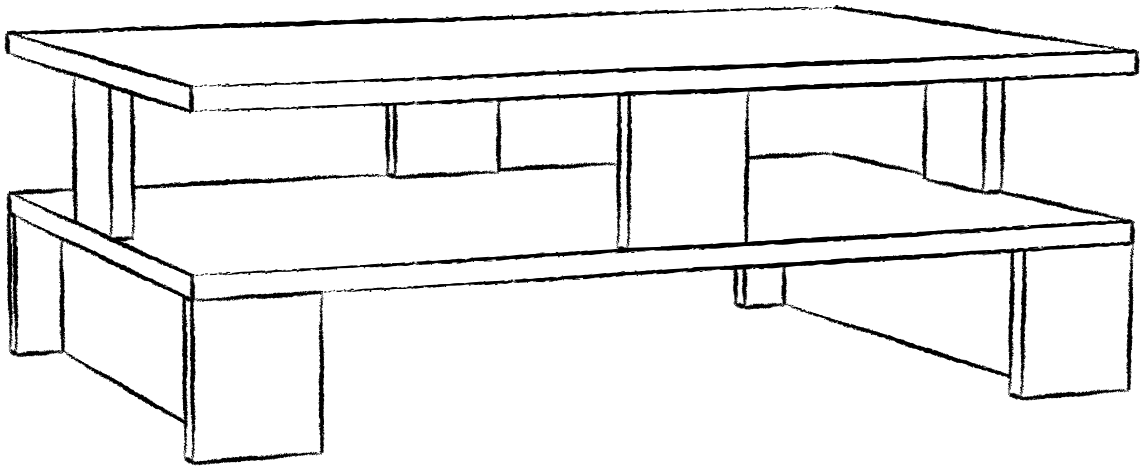
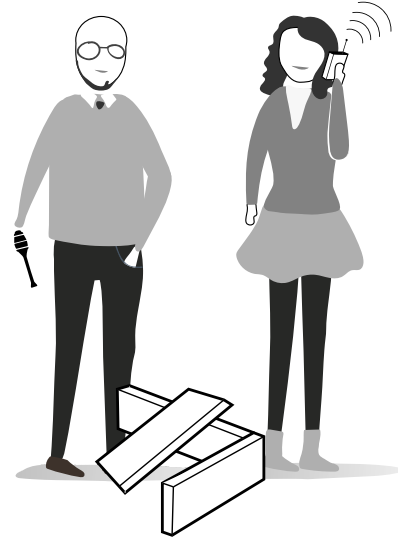
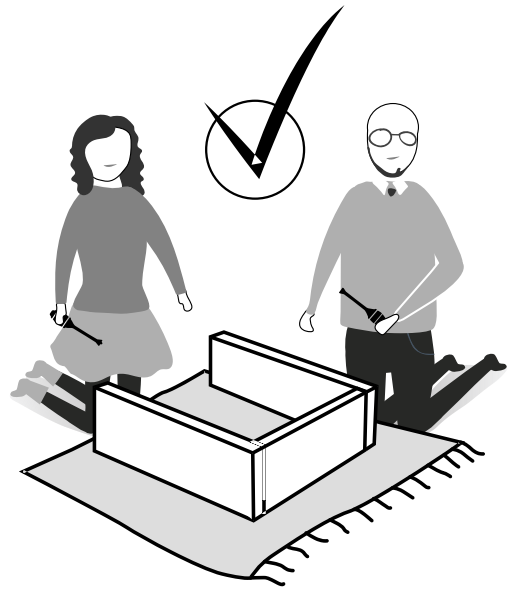
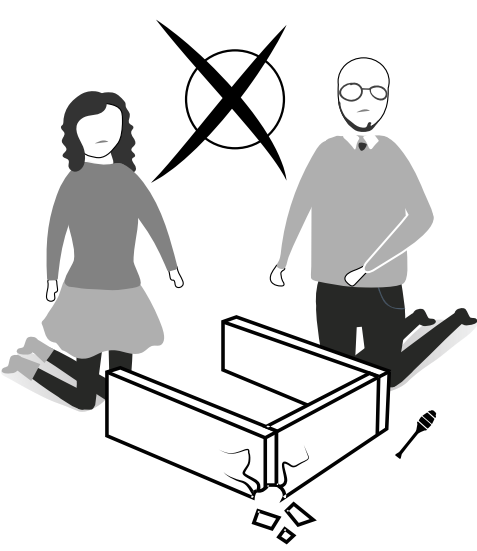
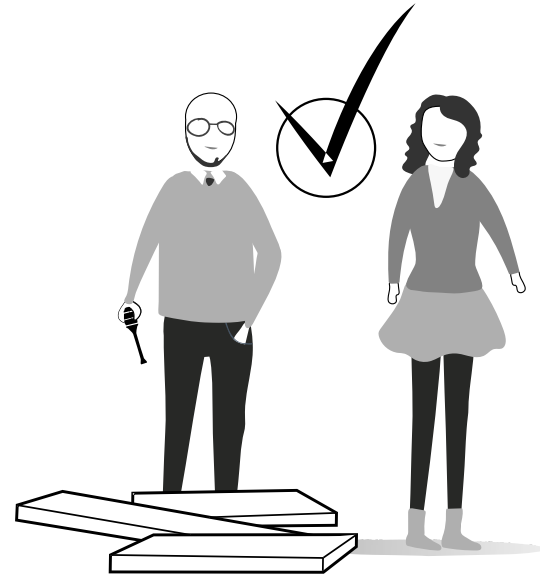
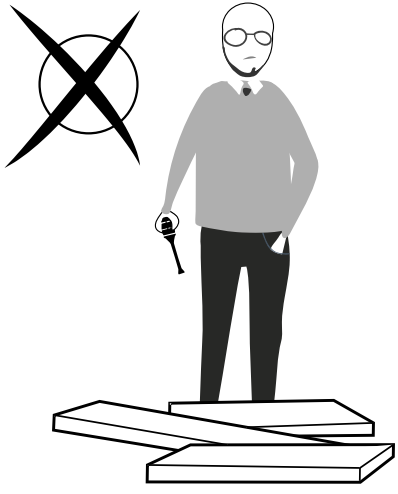


GP037-0030,1

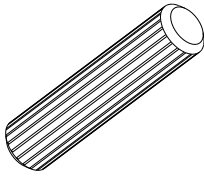




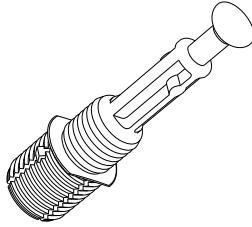
ATTENTION !!

Minifix is the main connection material used in ada products.
Before starting assembly, please check the drawings below.

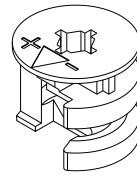
A04



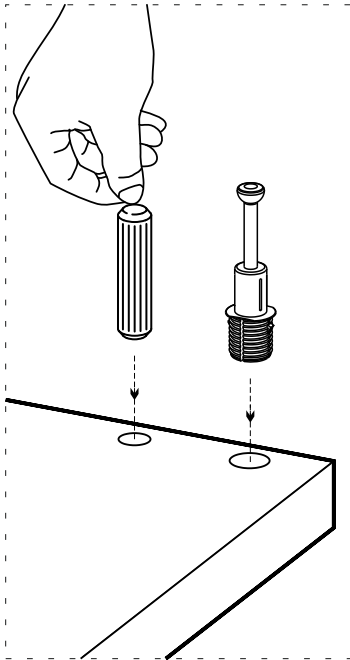
A23



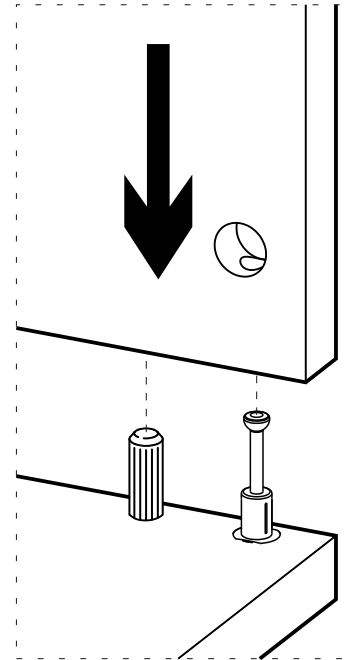
A22



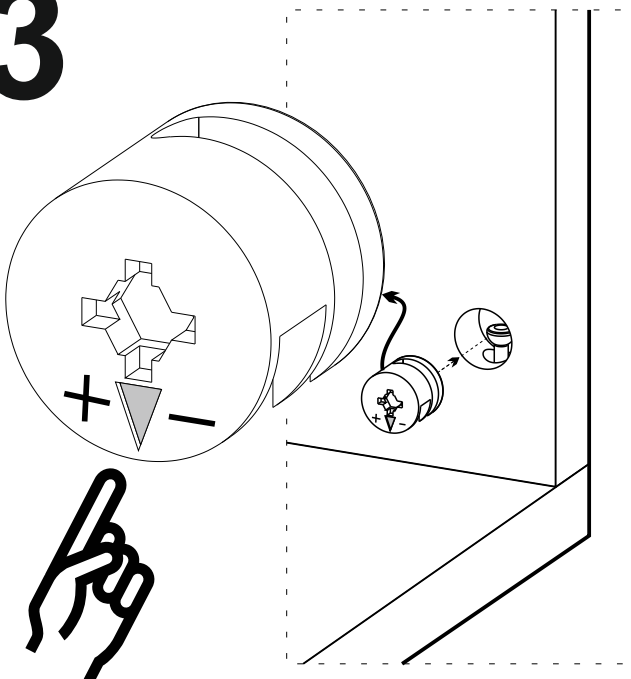
1



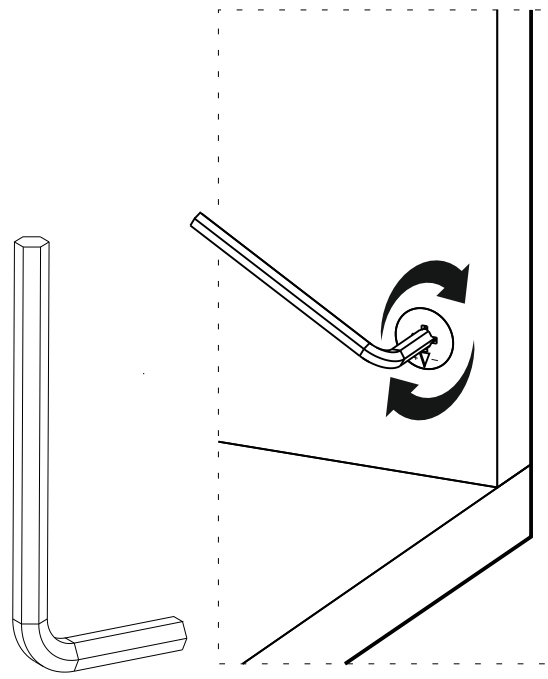
2



3







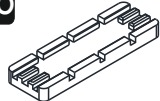

4

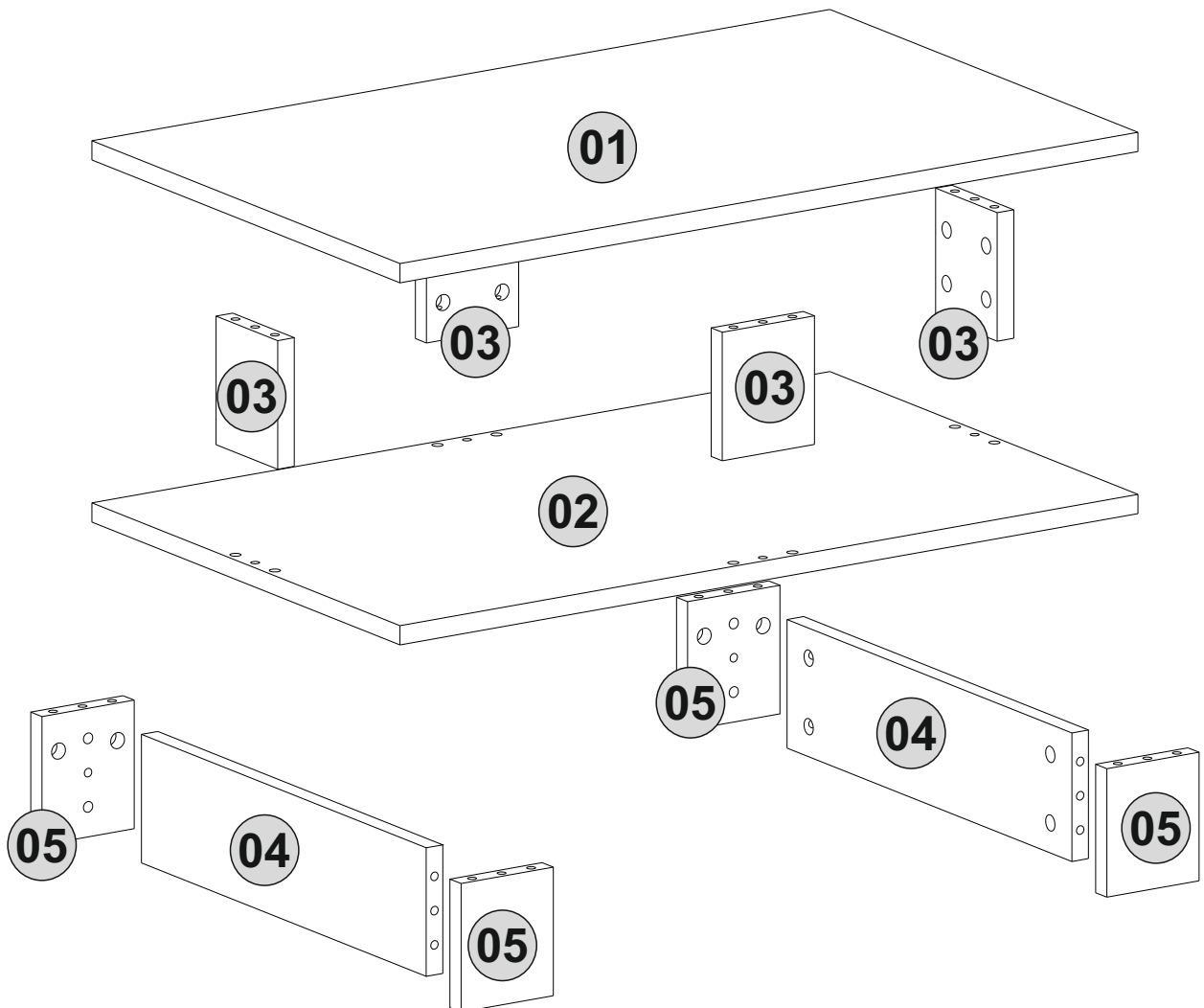


Follow the installation steps in the order as shown.
Position the parts as shown in the installation guide steps.

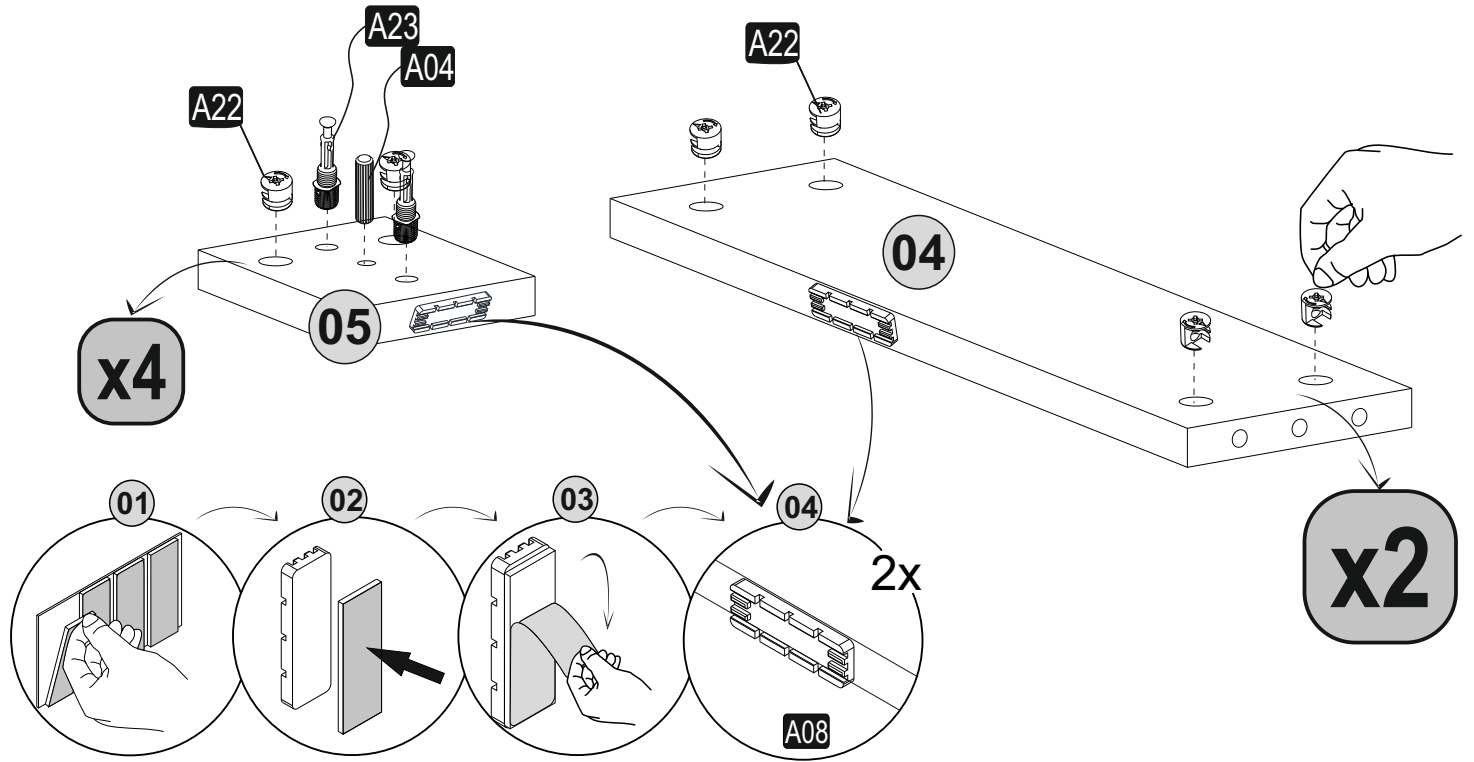


ACCESSORY LIST

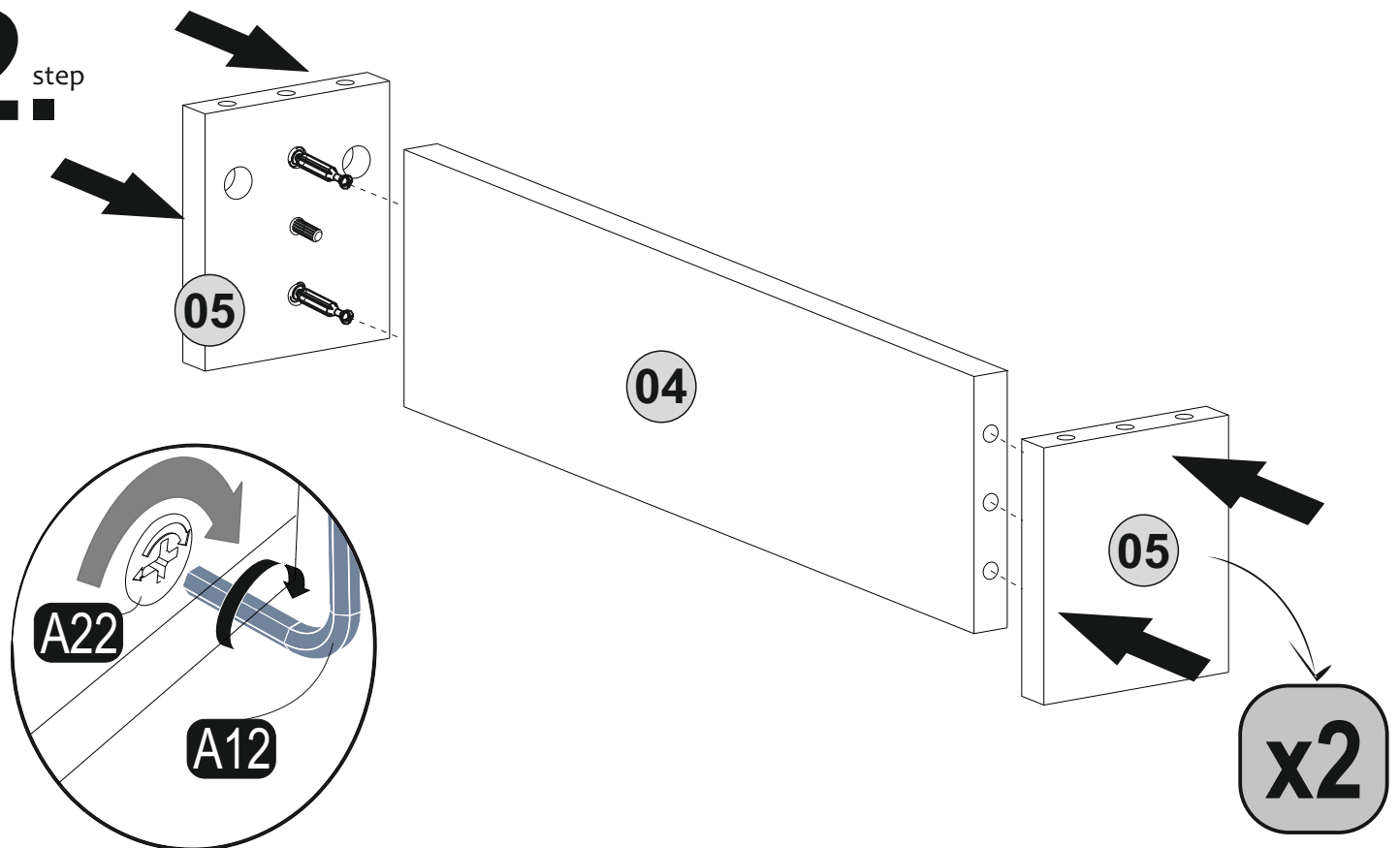
A22 Minifix k18  32x	A23 Minifix M10  32x	A04 Ø8  16x	A12 4 SW  1x	A08  6x
A06 18 mm  32x C1				



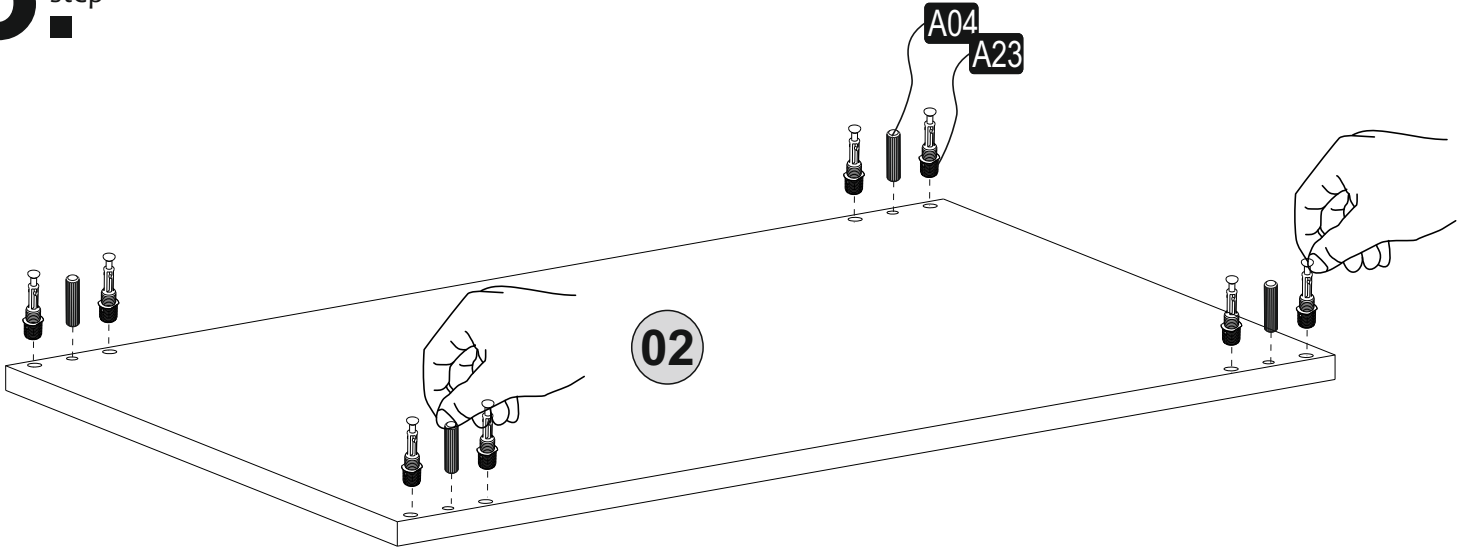
1. step



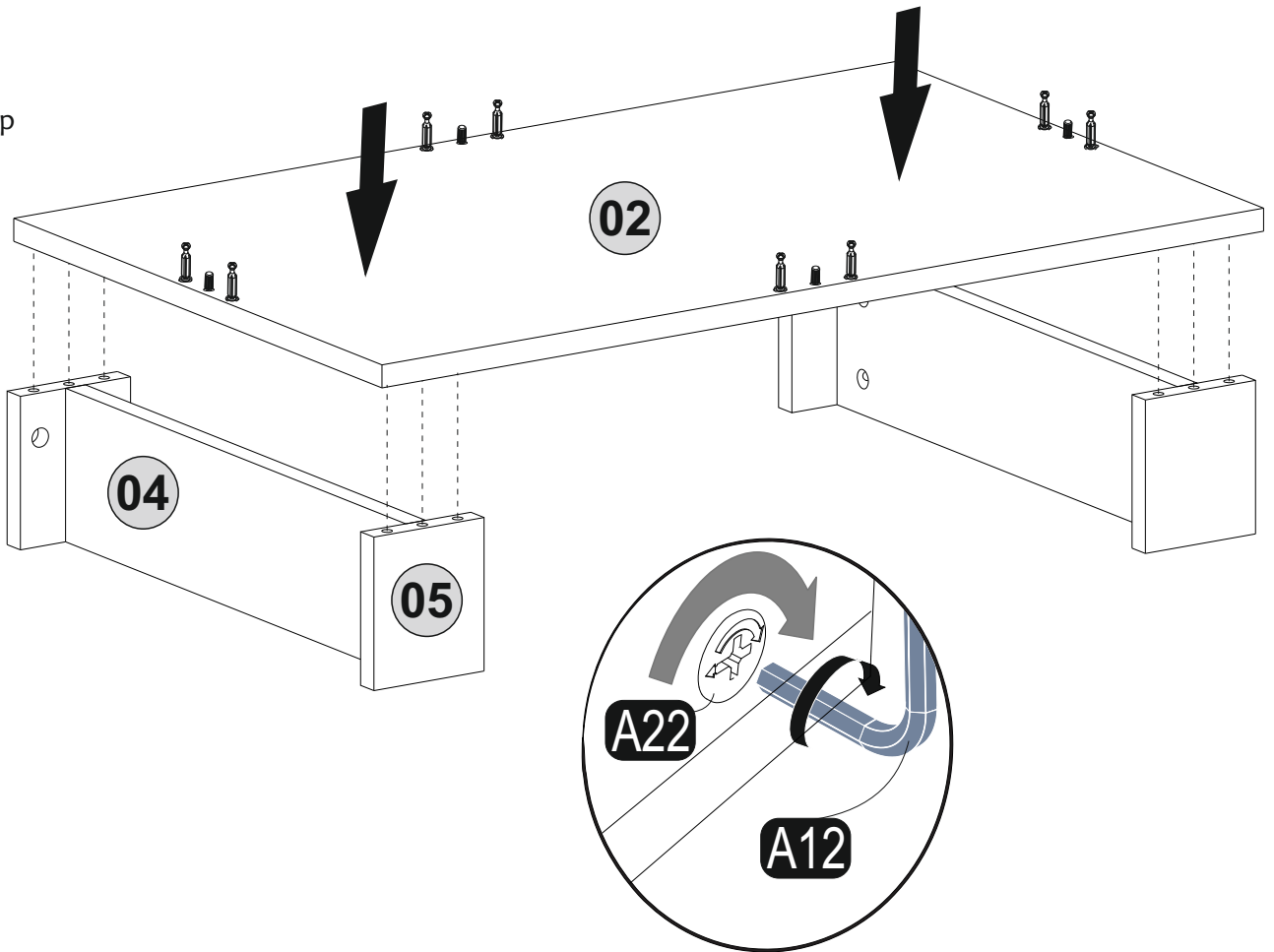
2. step



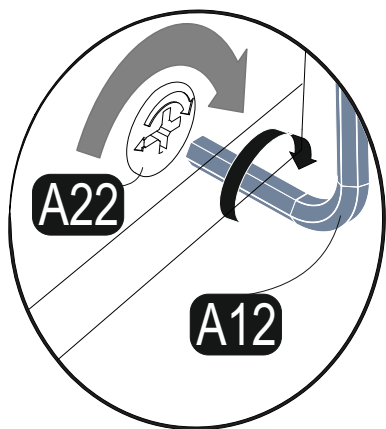
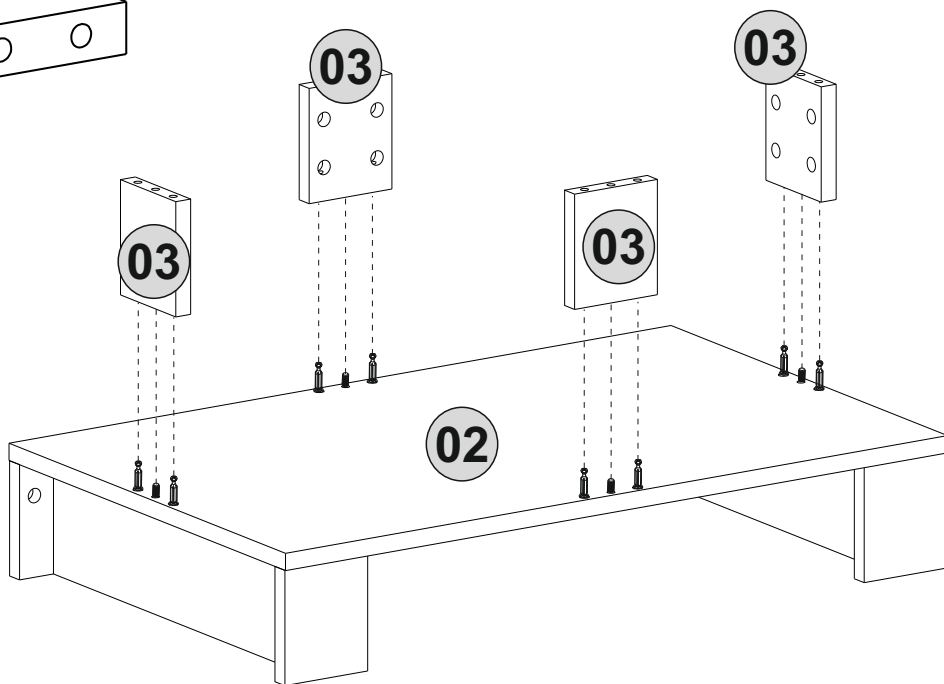
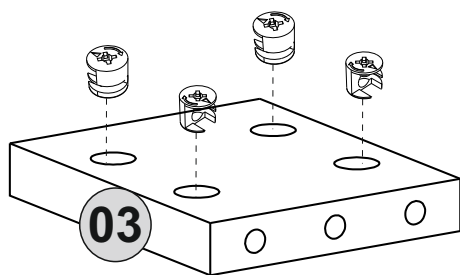
3. step



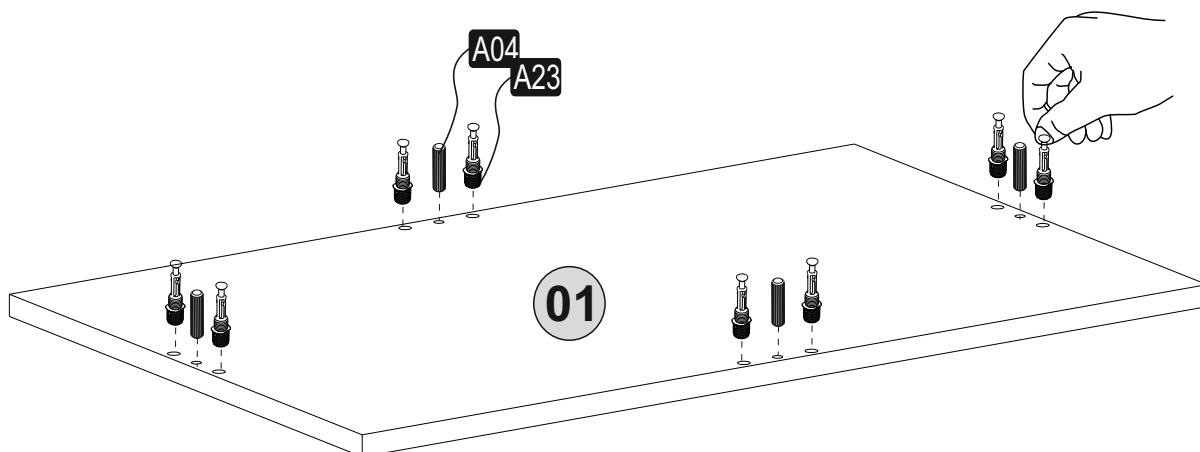
4. step



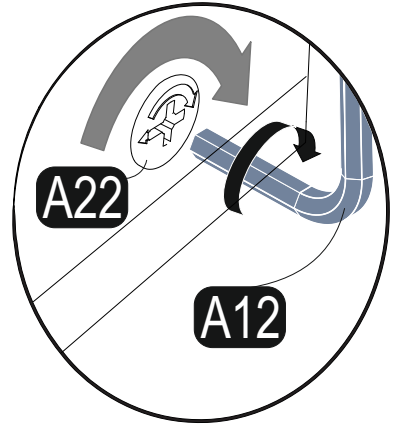
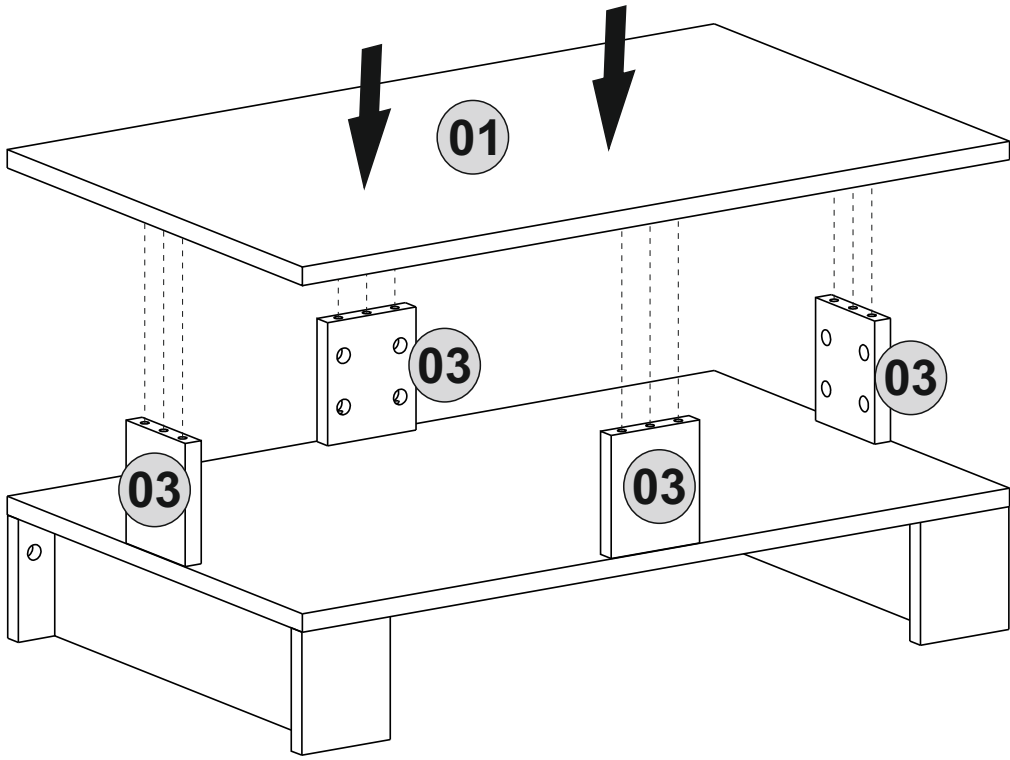
5. step



6. step



7 step



8 step

