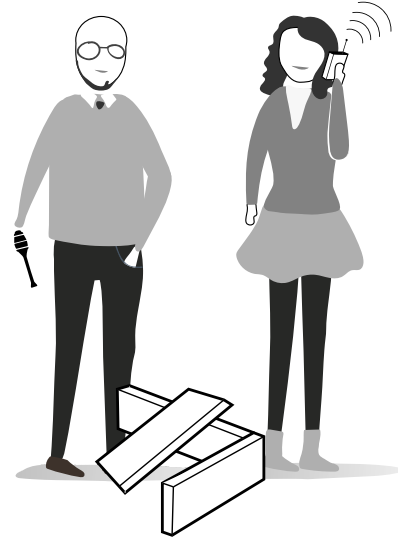
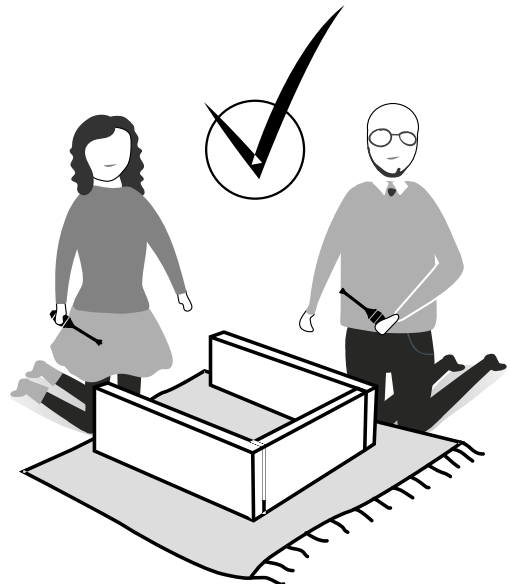
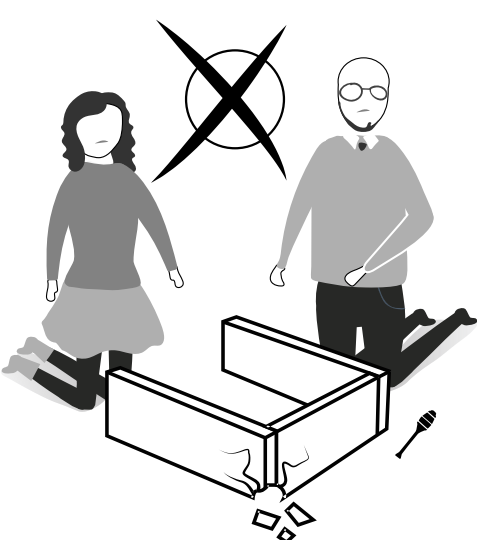
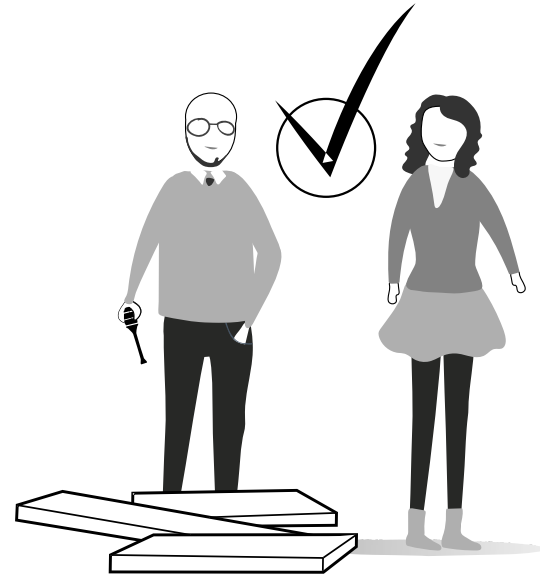
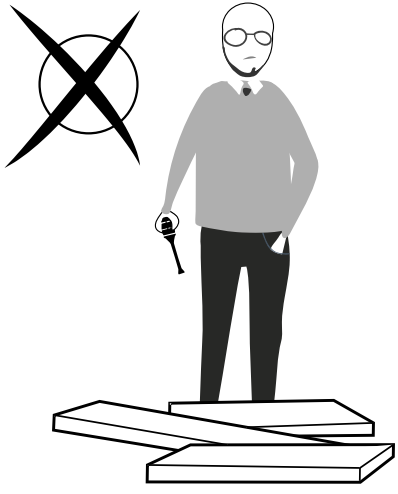


GP037-0029,1


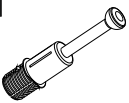
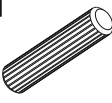
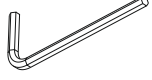



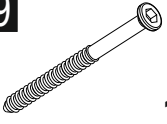


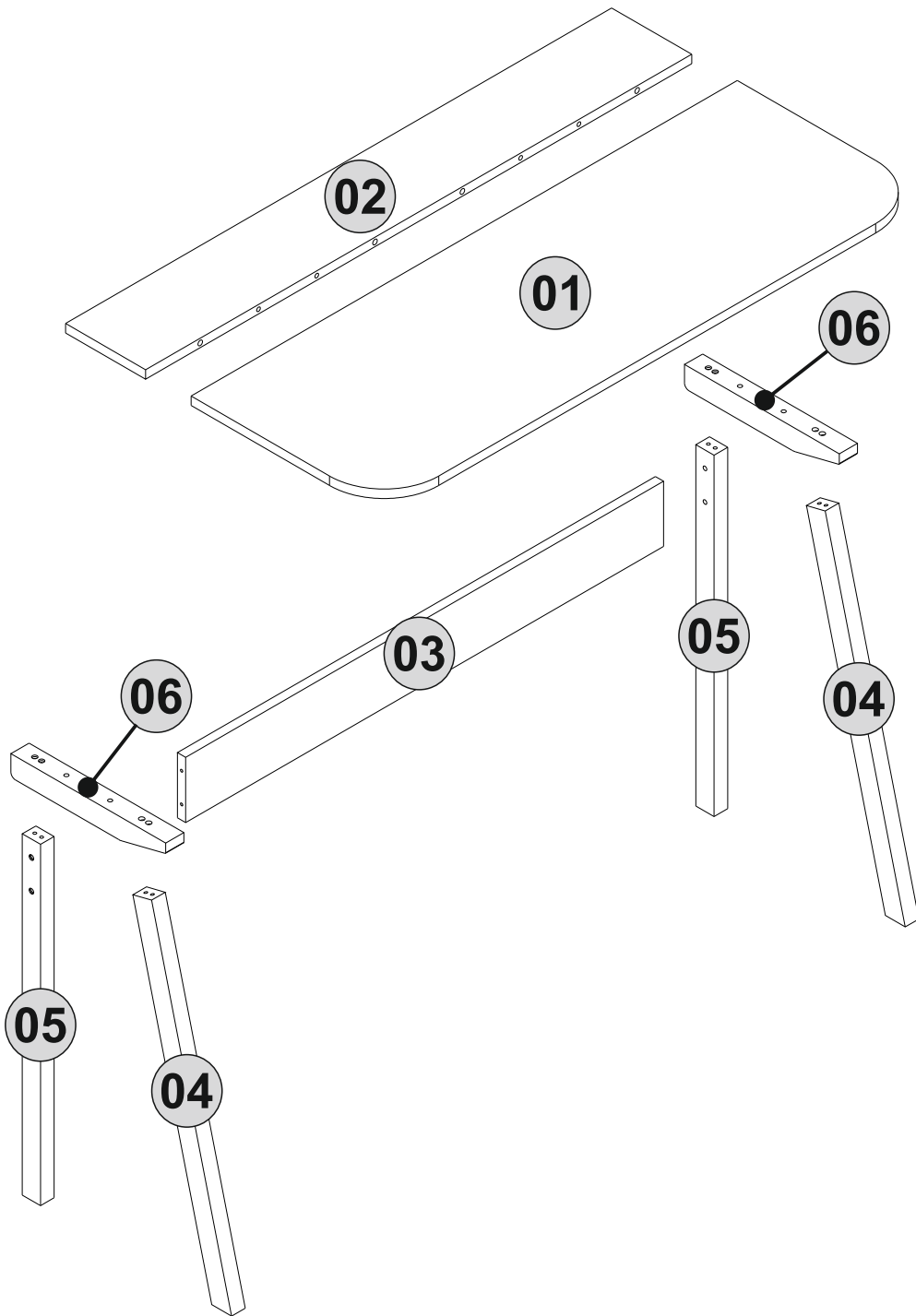


Follow the installation steps in the order as shown.
Position the parts as shown in the installation guide steps.

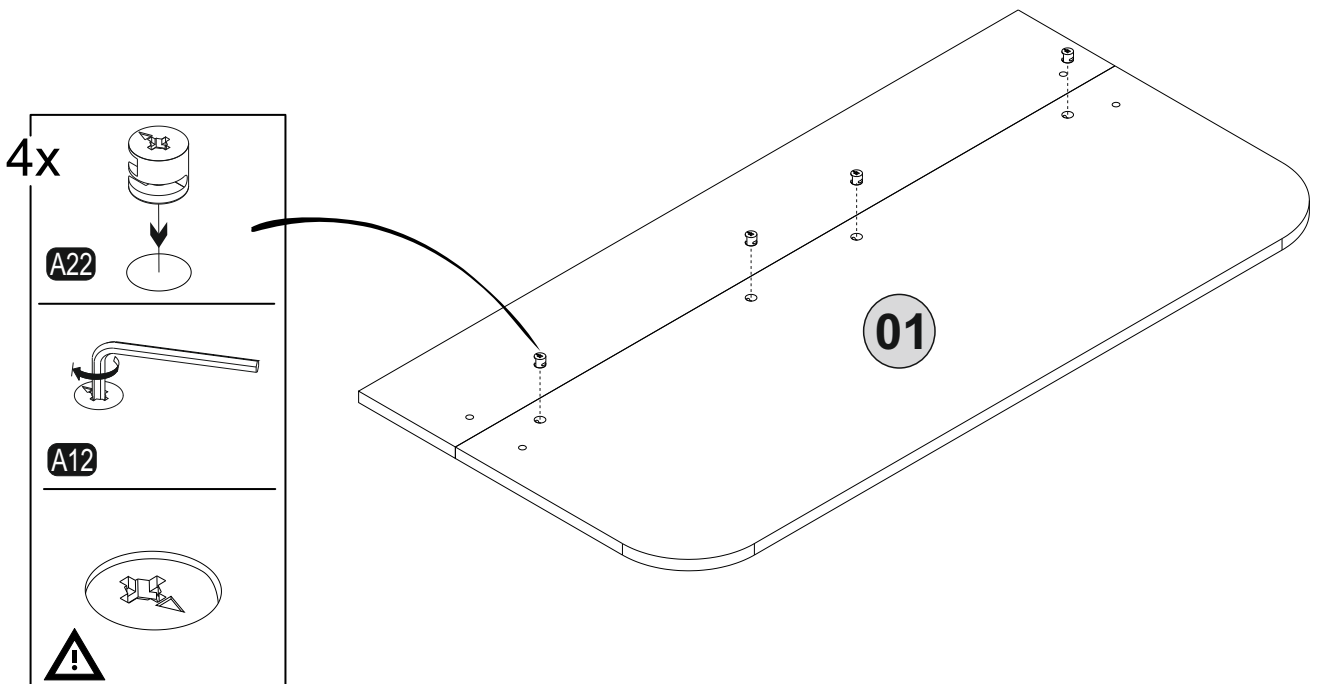
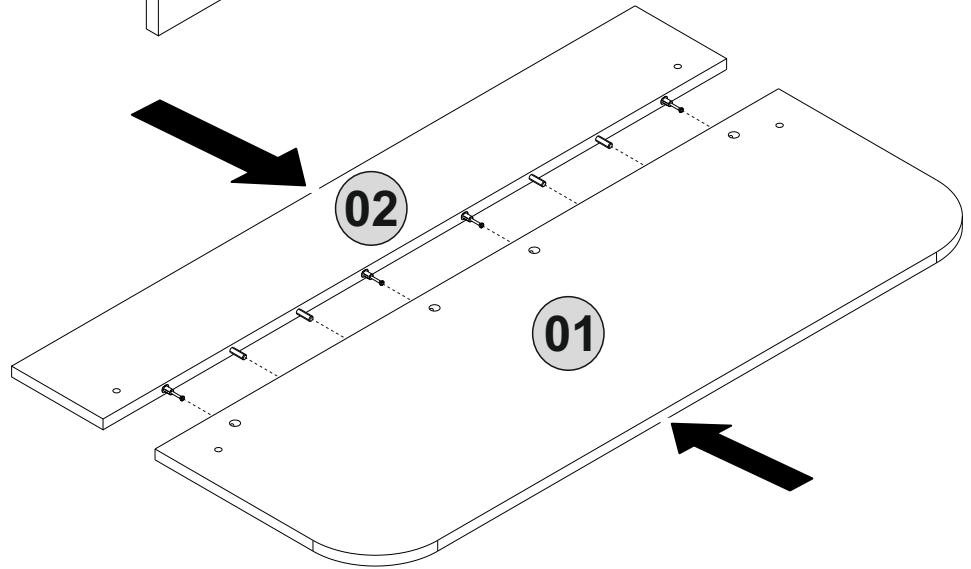
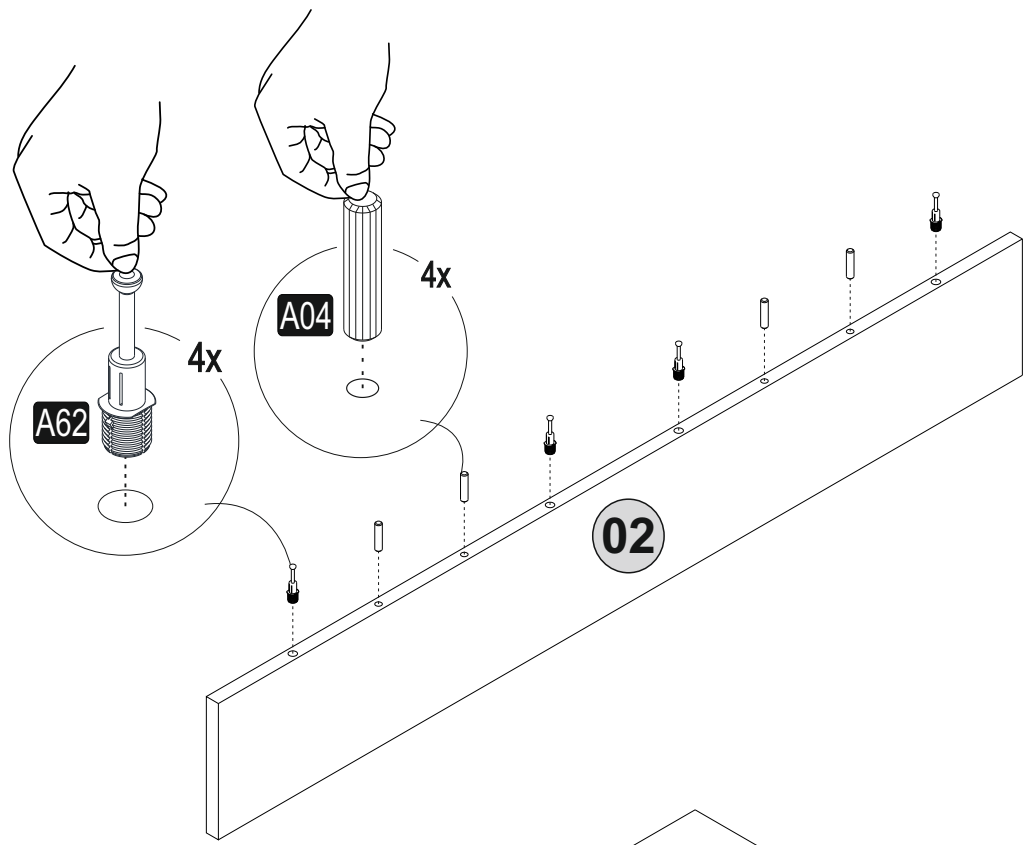


ACCESSORY LIST

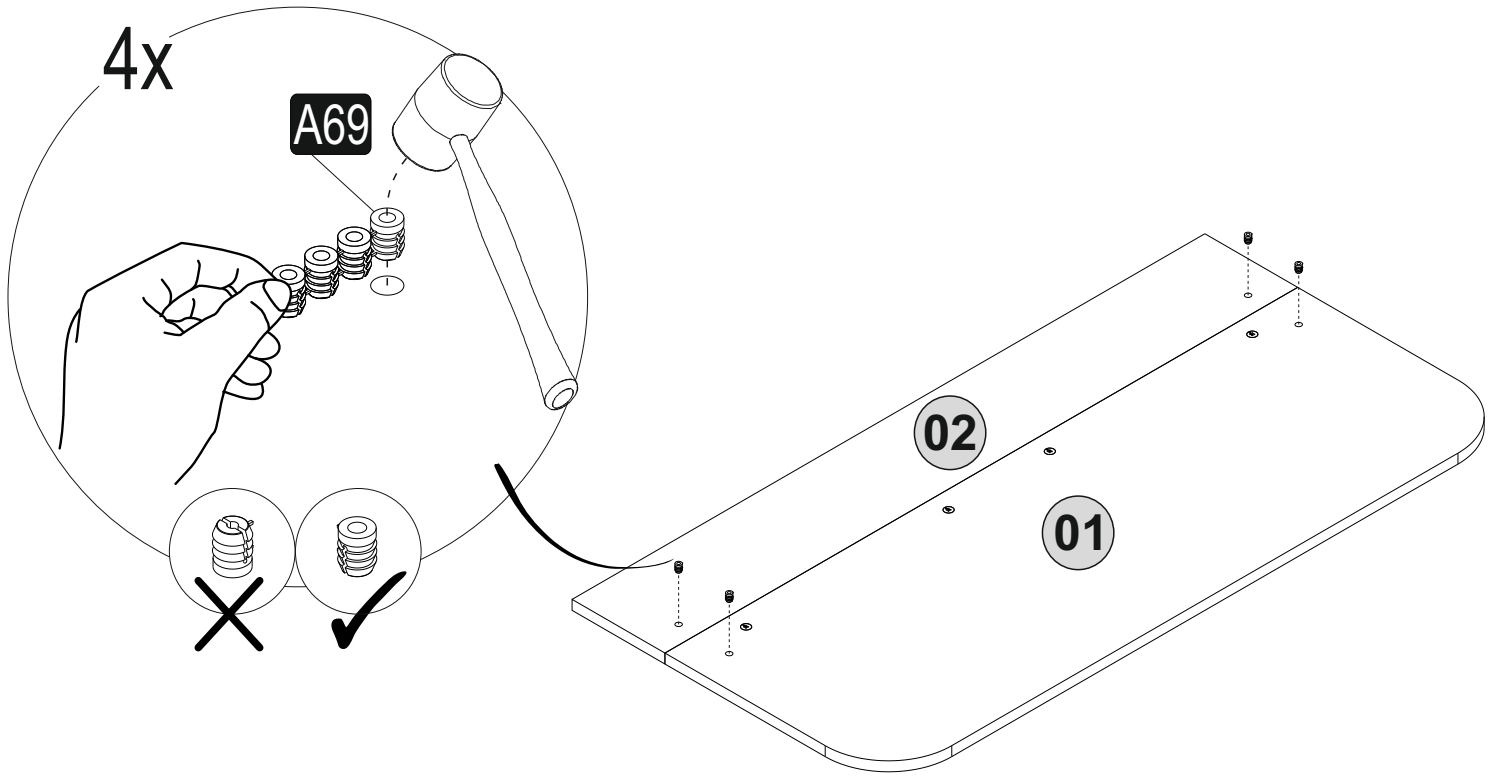
A22  Minifix k18 4x	A62  Minifix M8 4x	A04  Ø8 4x	A12  Allen 1x	A06  18mm C1-4x
A69  P.D. 4x	B08  55 mm 4x	A19  70kv 12x		



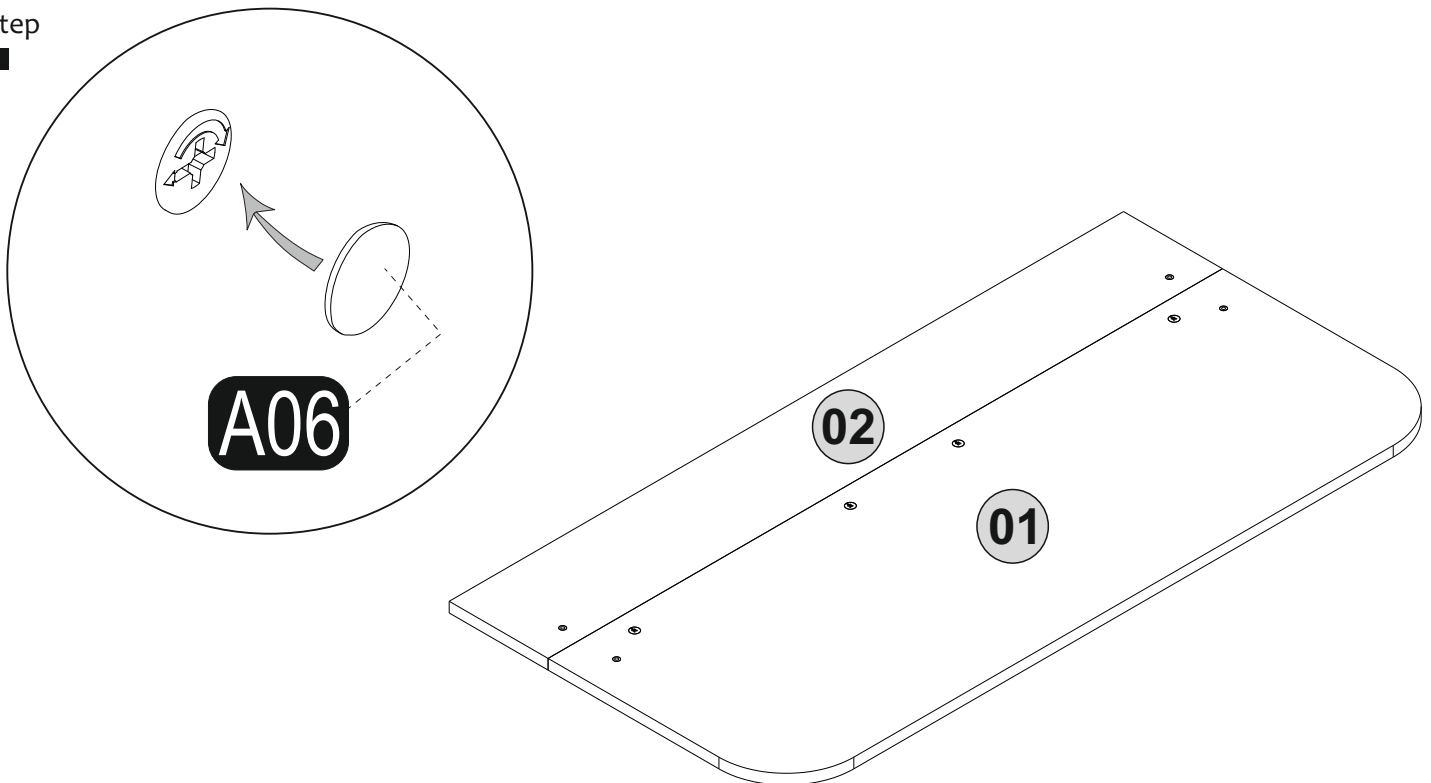
1. step



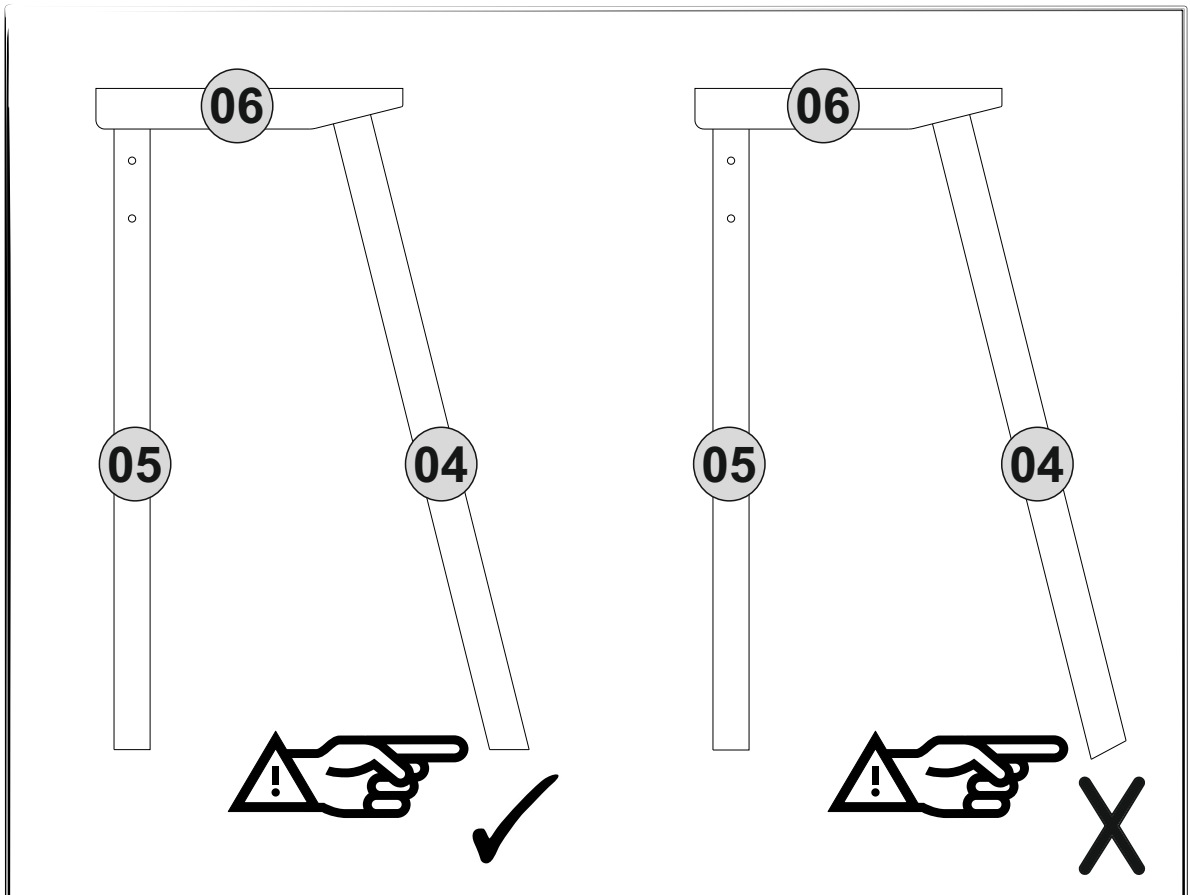
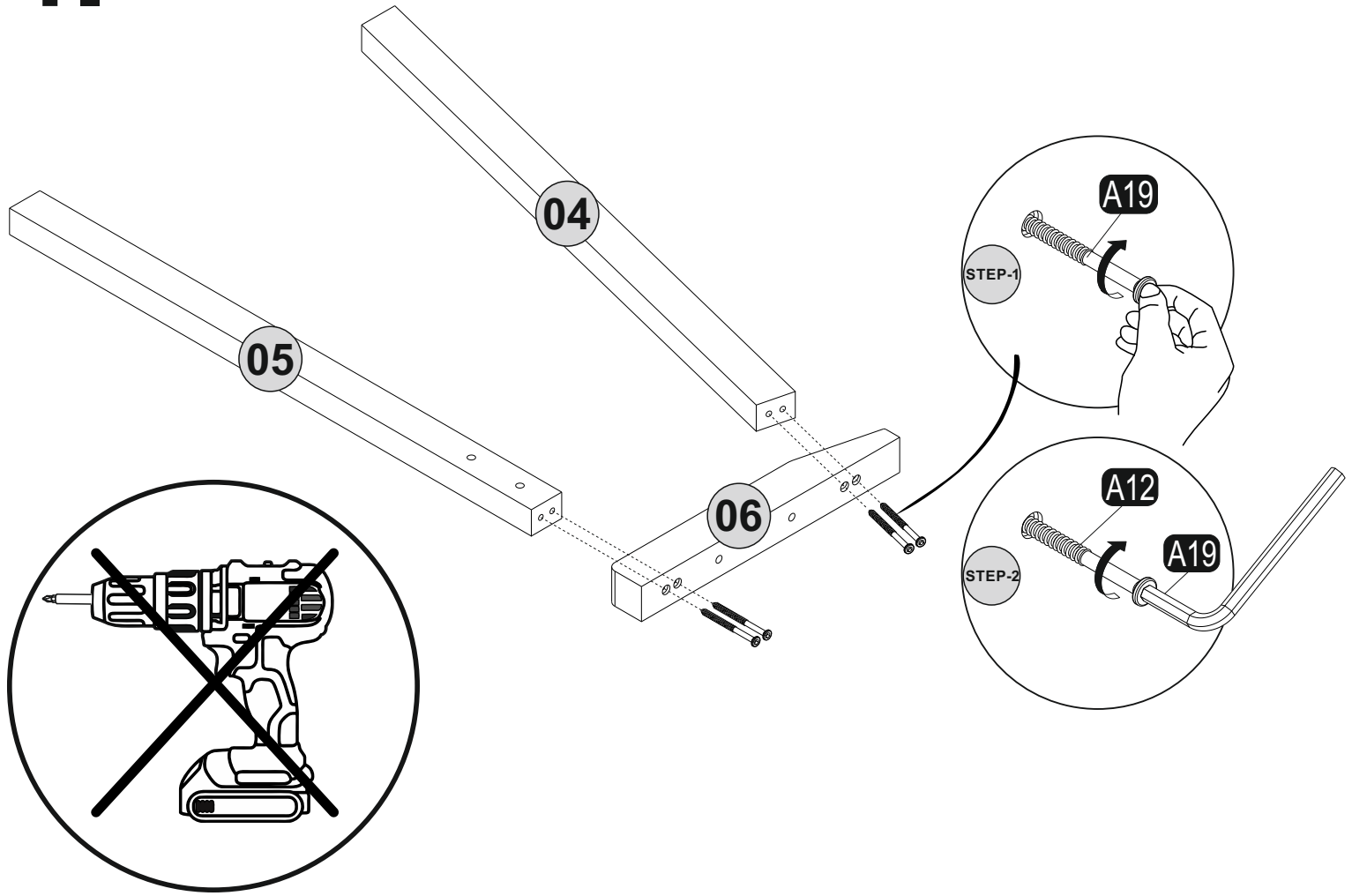
2^{step}



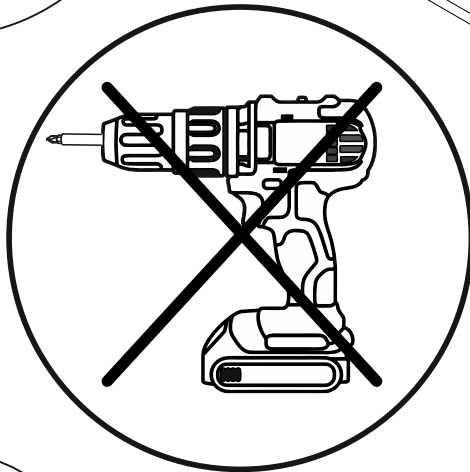
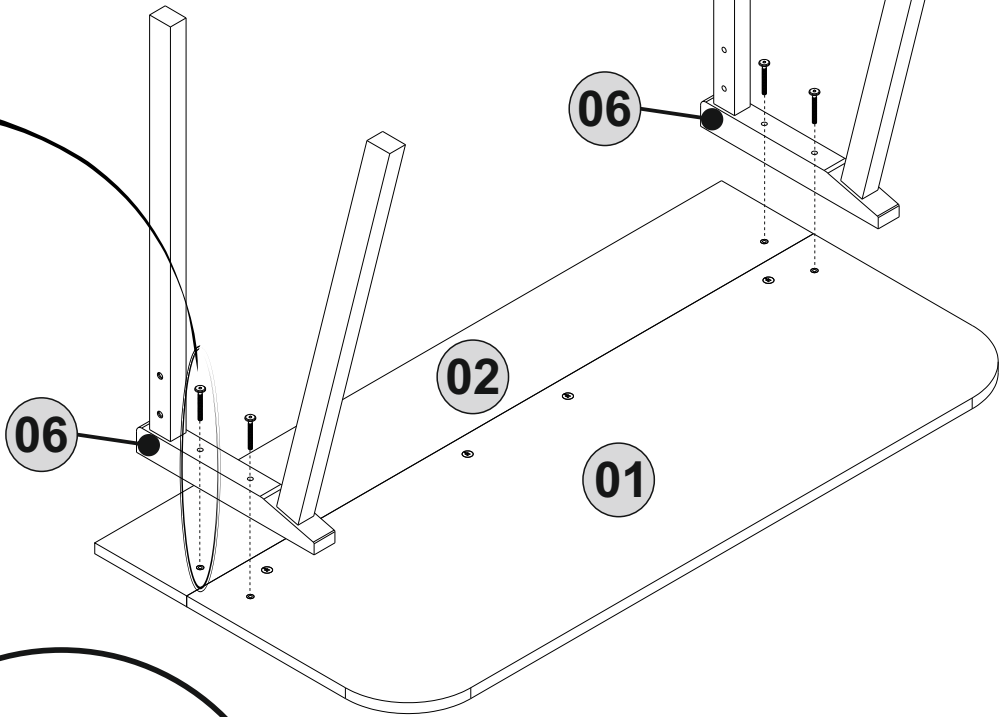
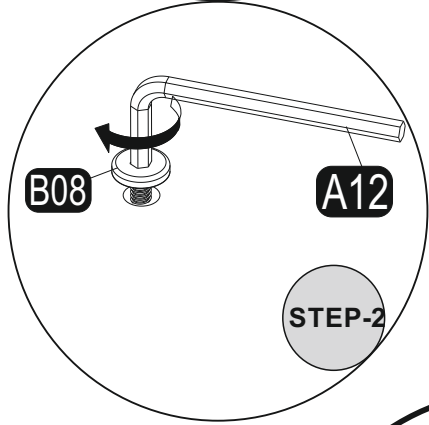
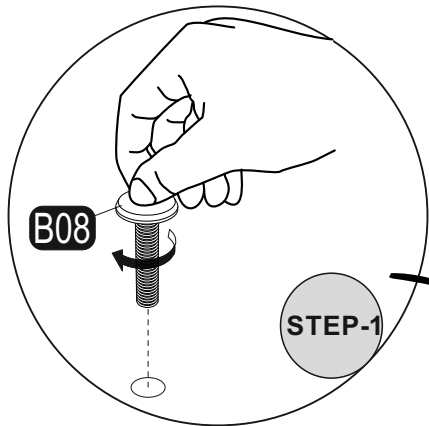
3^{step}



4. step



5^{step}



6^{step}

