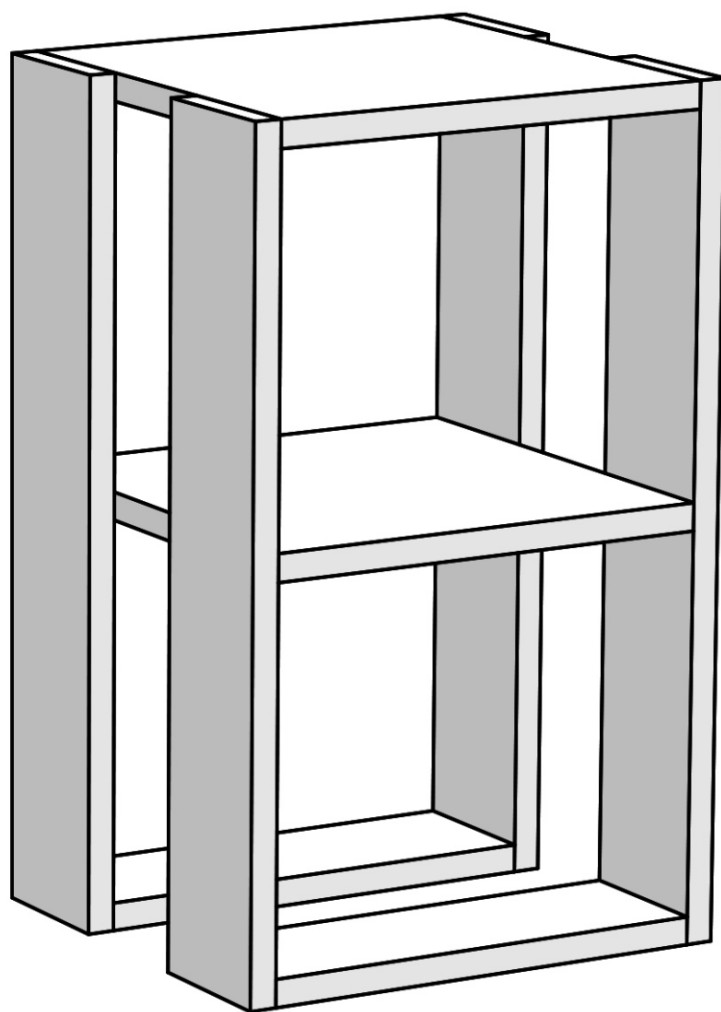


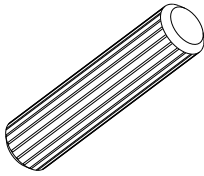
GP037-0026,2



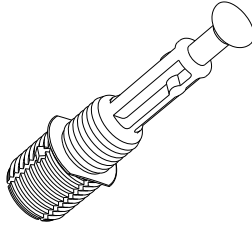
ATTENTION !!

Minifix is the main connection material used in ada products.
Before starting assembly, please check the drawings below.

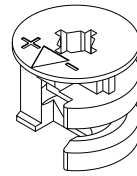
A04



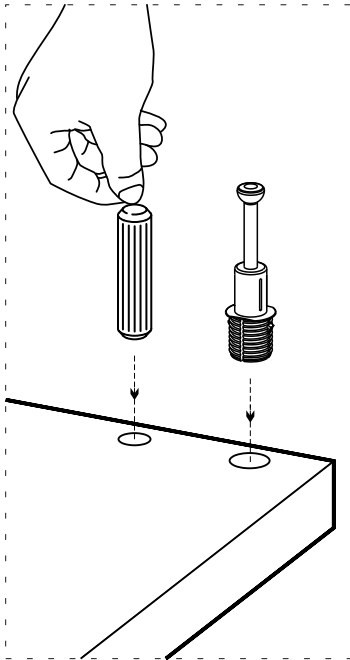
A23



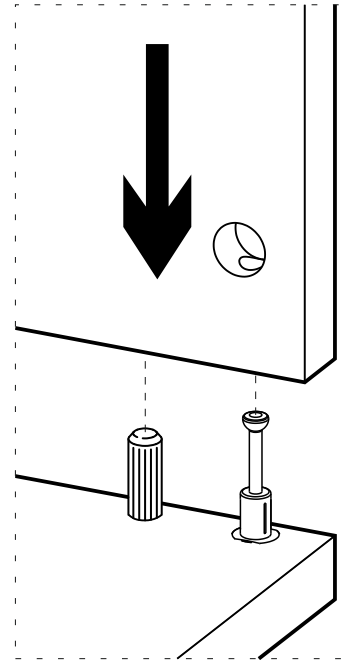
A22



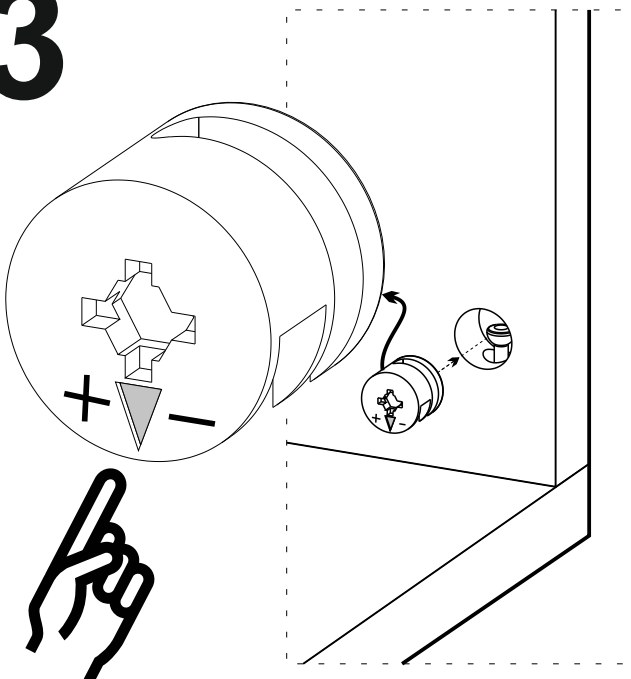
1



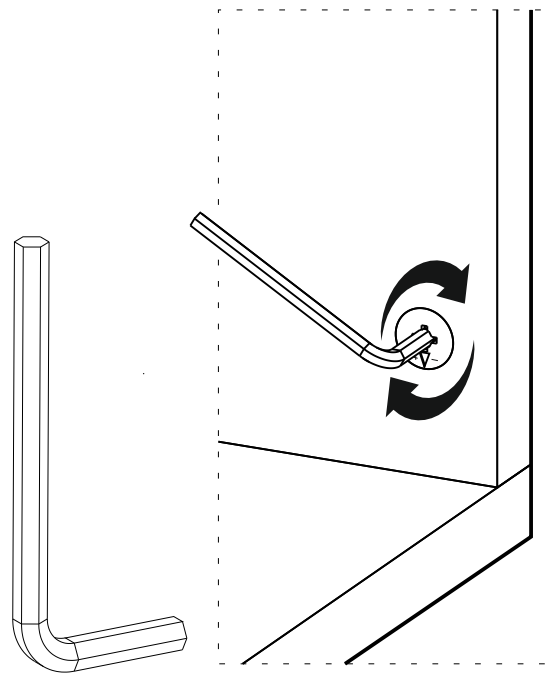
2



3








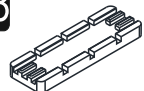
4

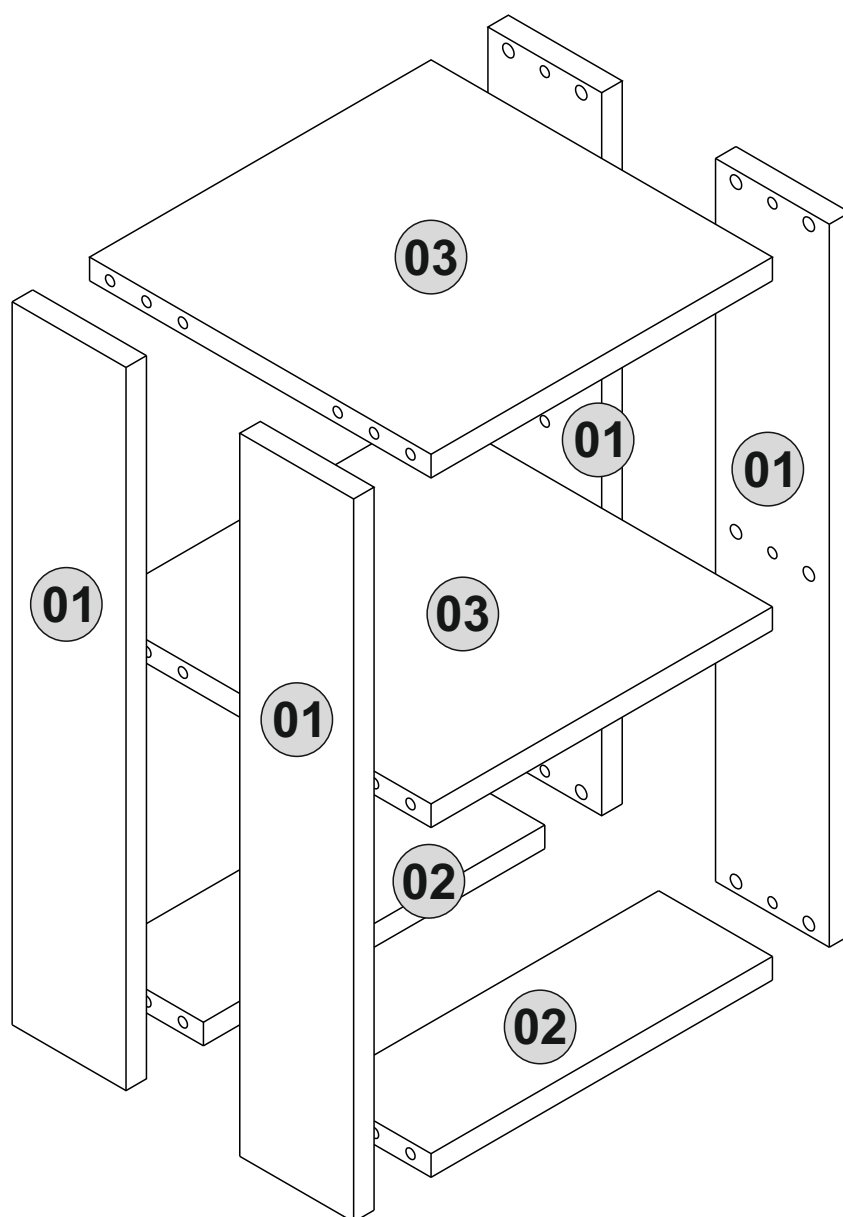


Follow the installation steps in the order as shown.
Position the parts as shown in the installation guide steps.

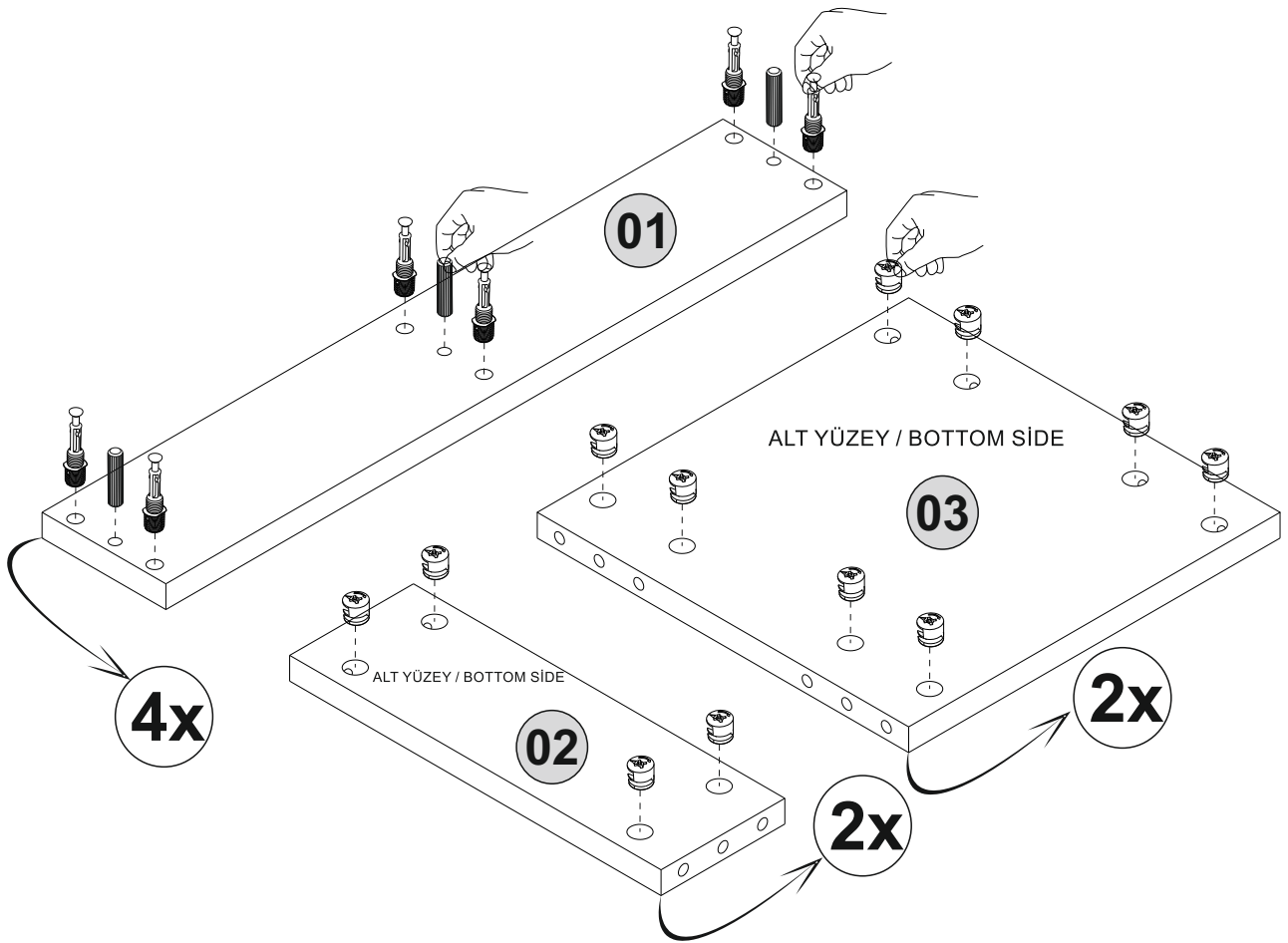


ACCESSORY LIST

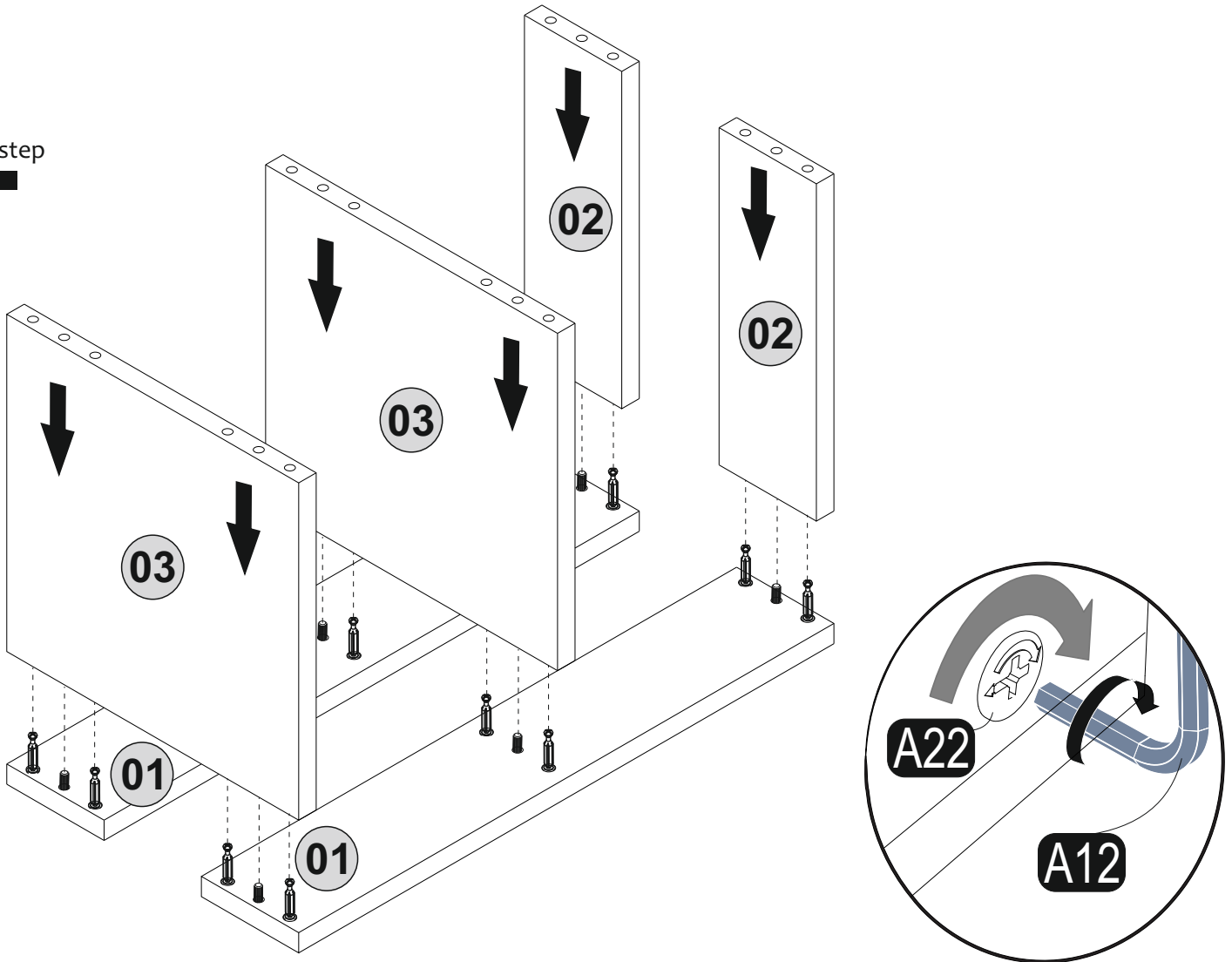
A22 Minifix k18  24x	A23 Minifix M10  24x	A04 Ø8  12x	A12 4 SW  1x	A06 18 mm  24x
A08  4x				



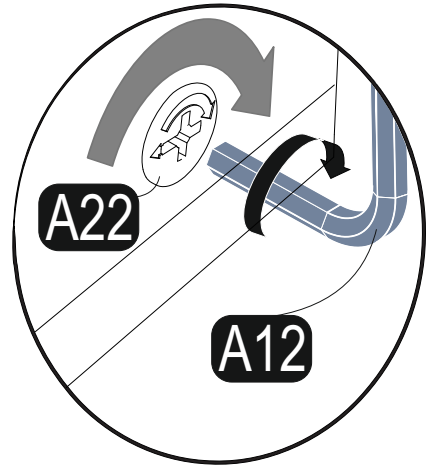
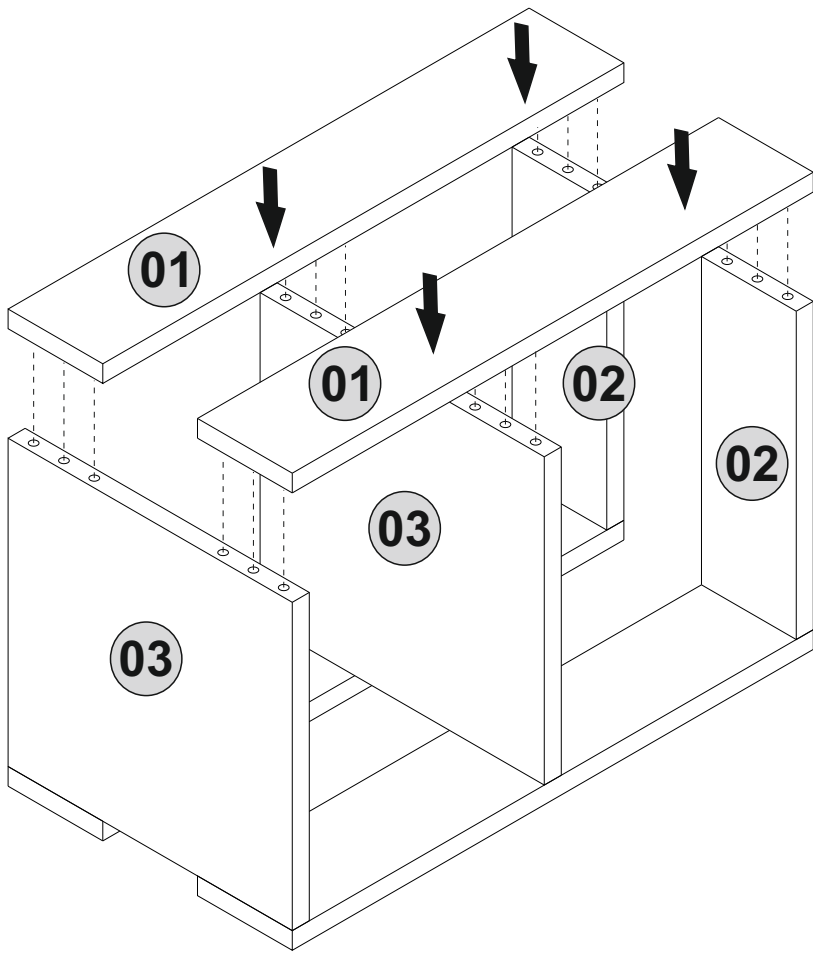
1. step



2. step



3. step



4. step

