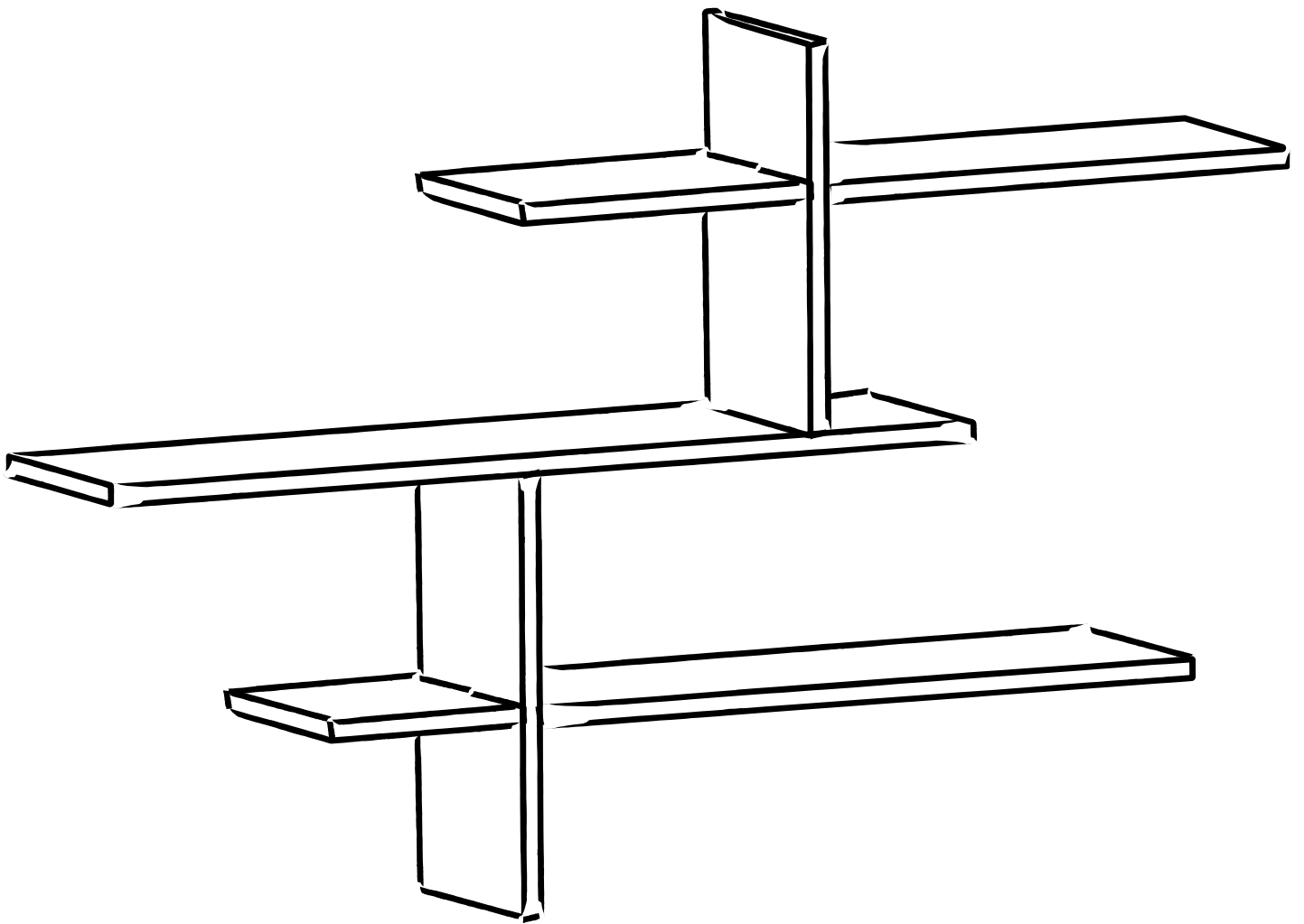
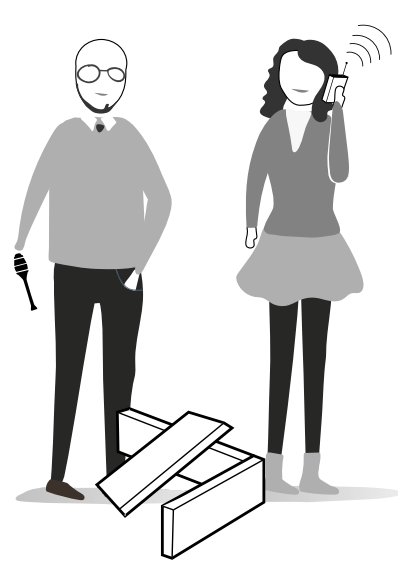
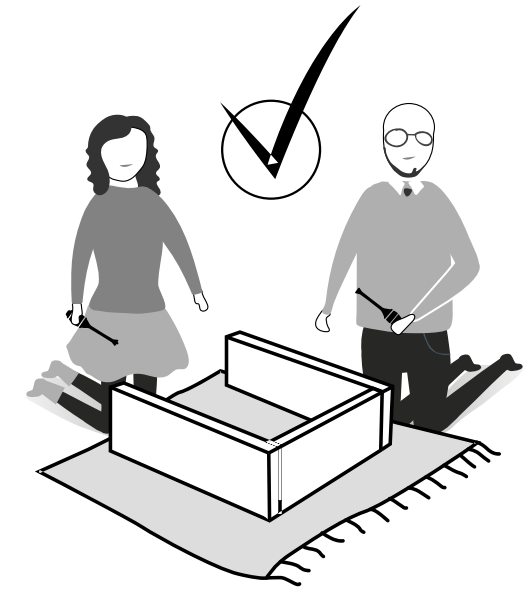
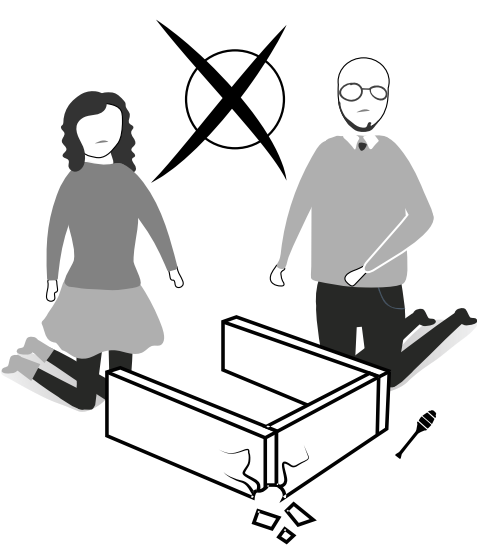
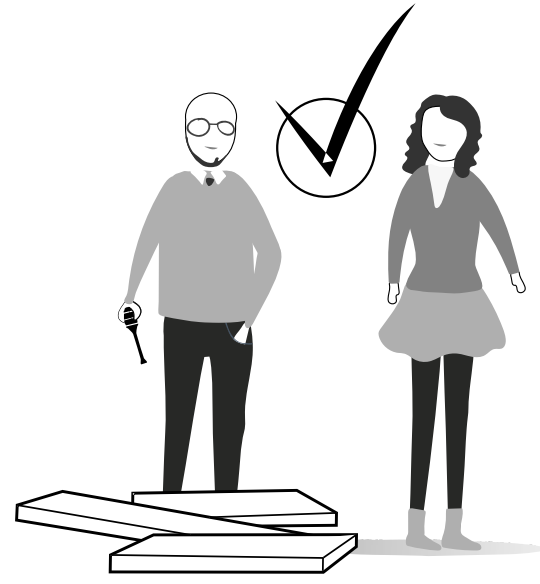
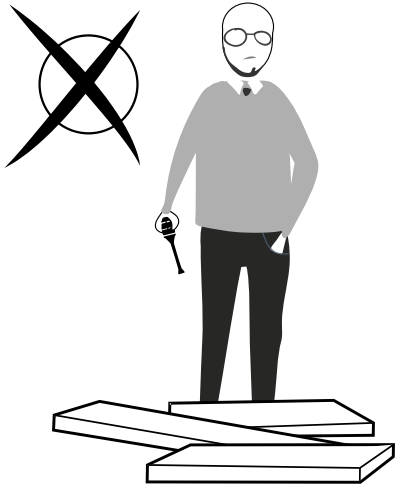


GP037-0025,3





ATTENTION !!

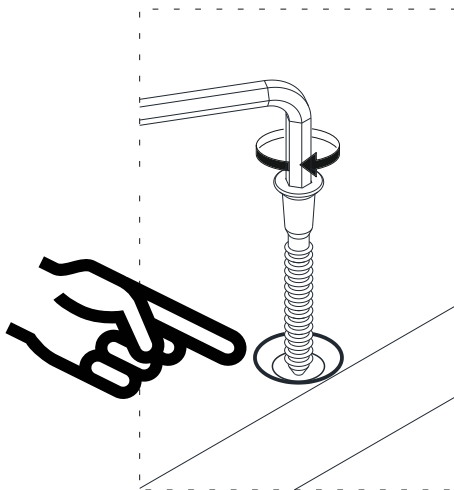
Our products are screw system. Before you proceed with installation try to understand the following



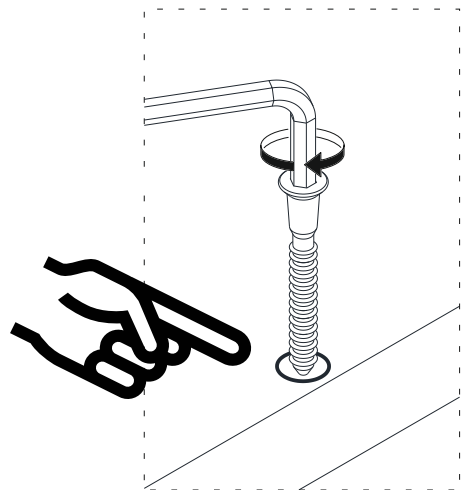
A13



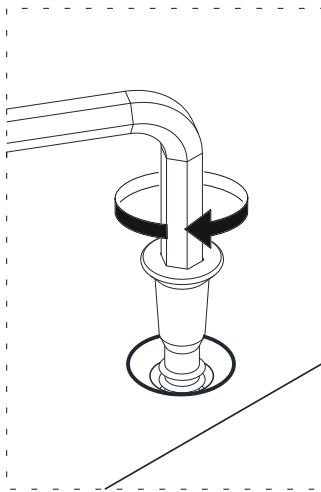
1



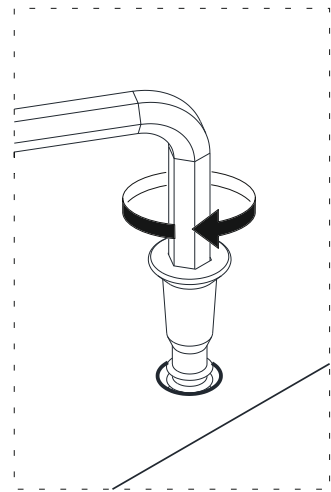
1



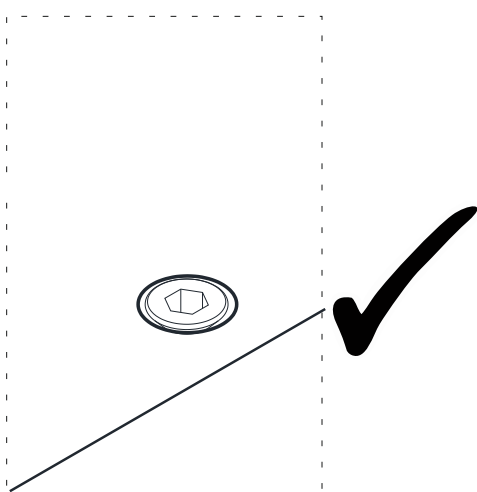
2



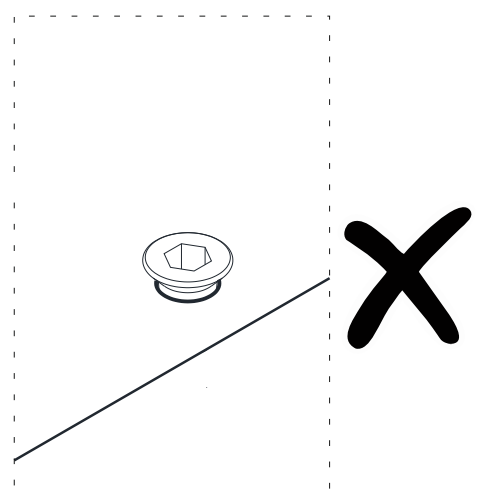
2



3






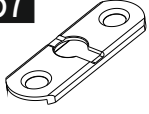

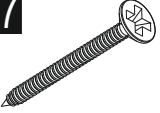


3

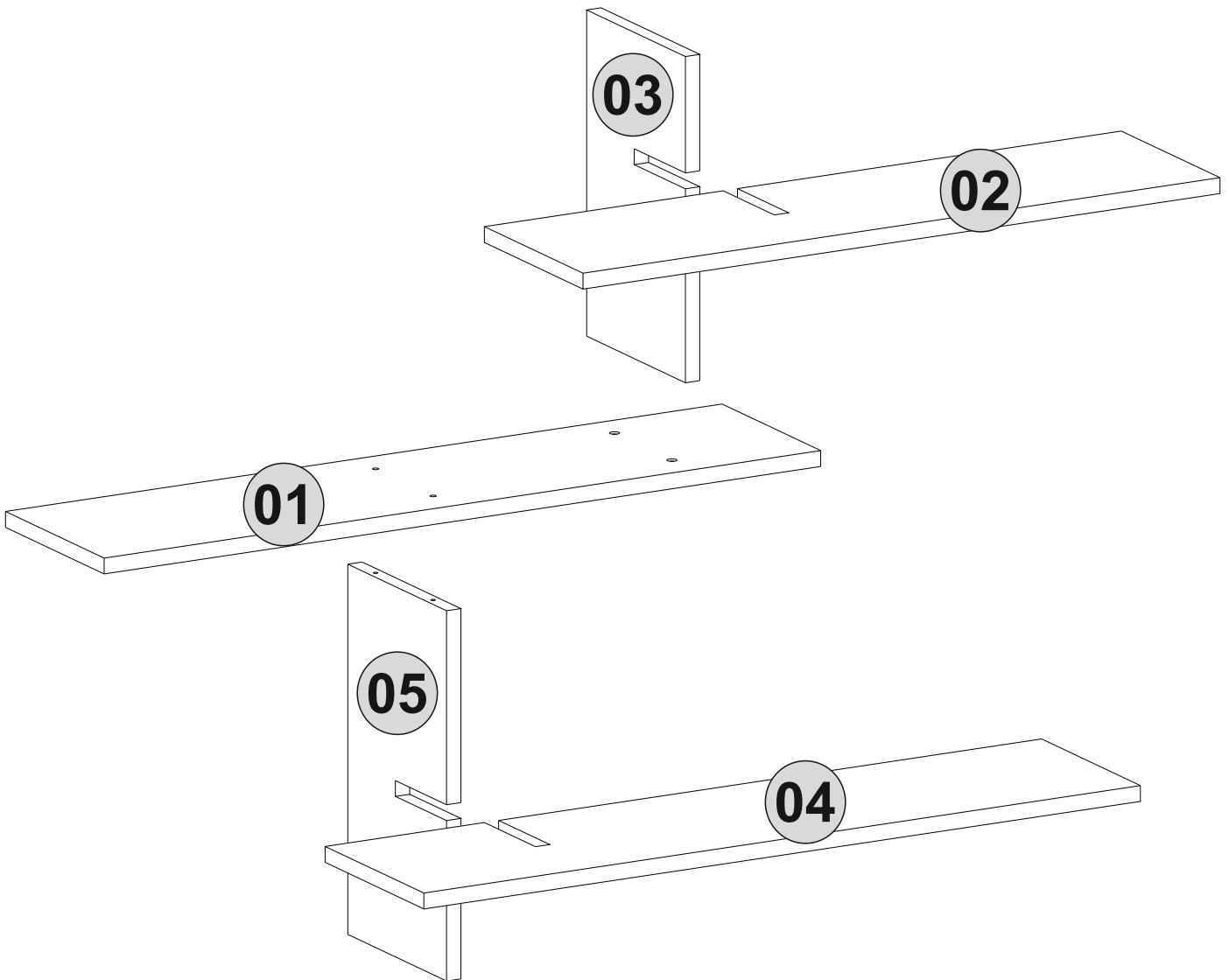


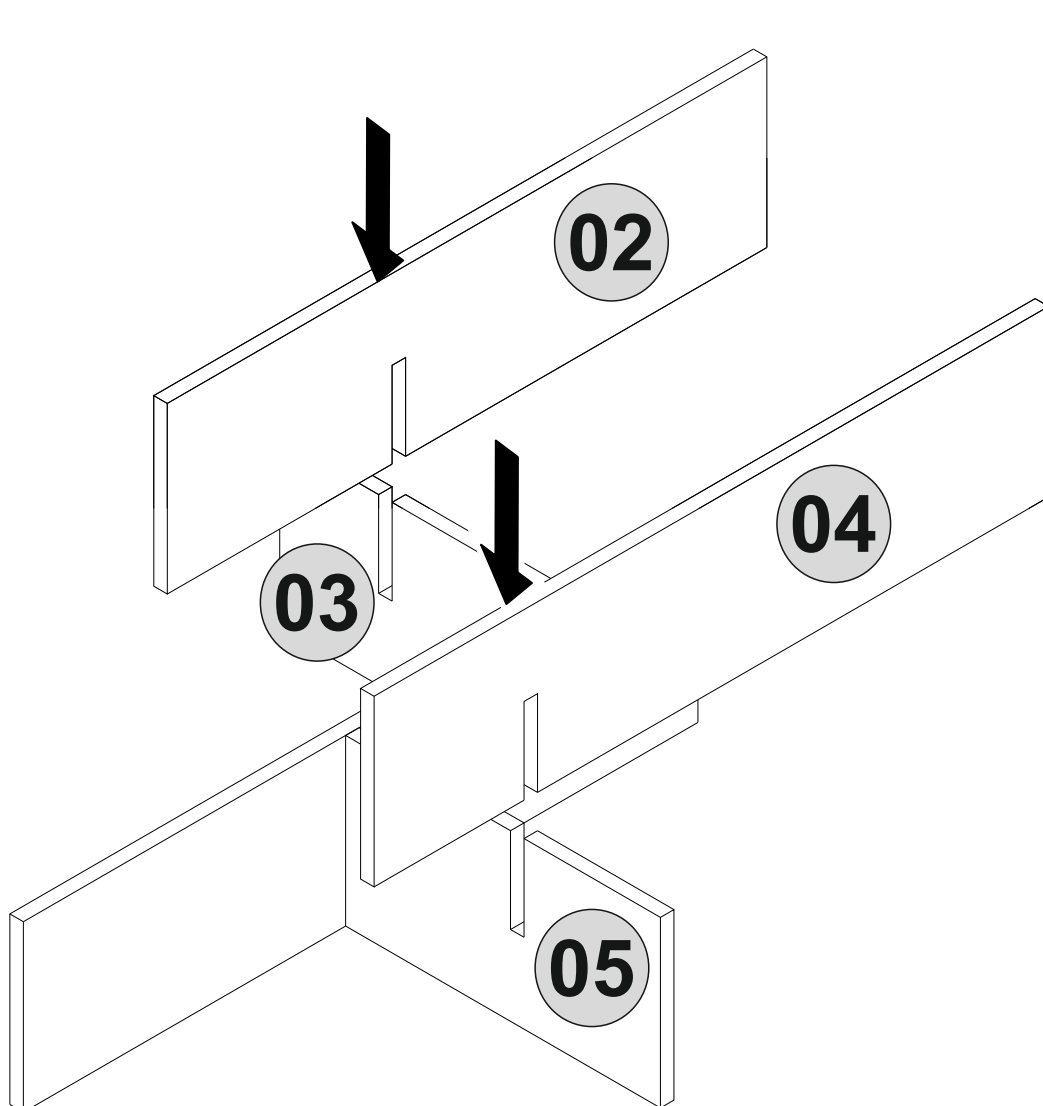
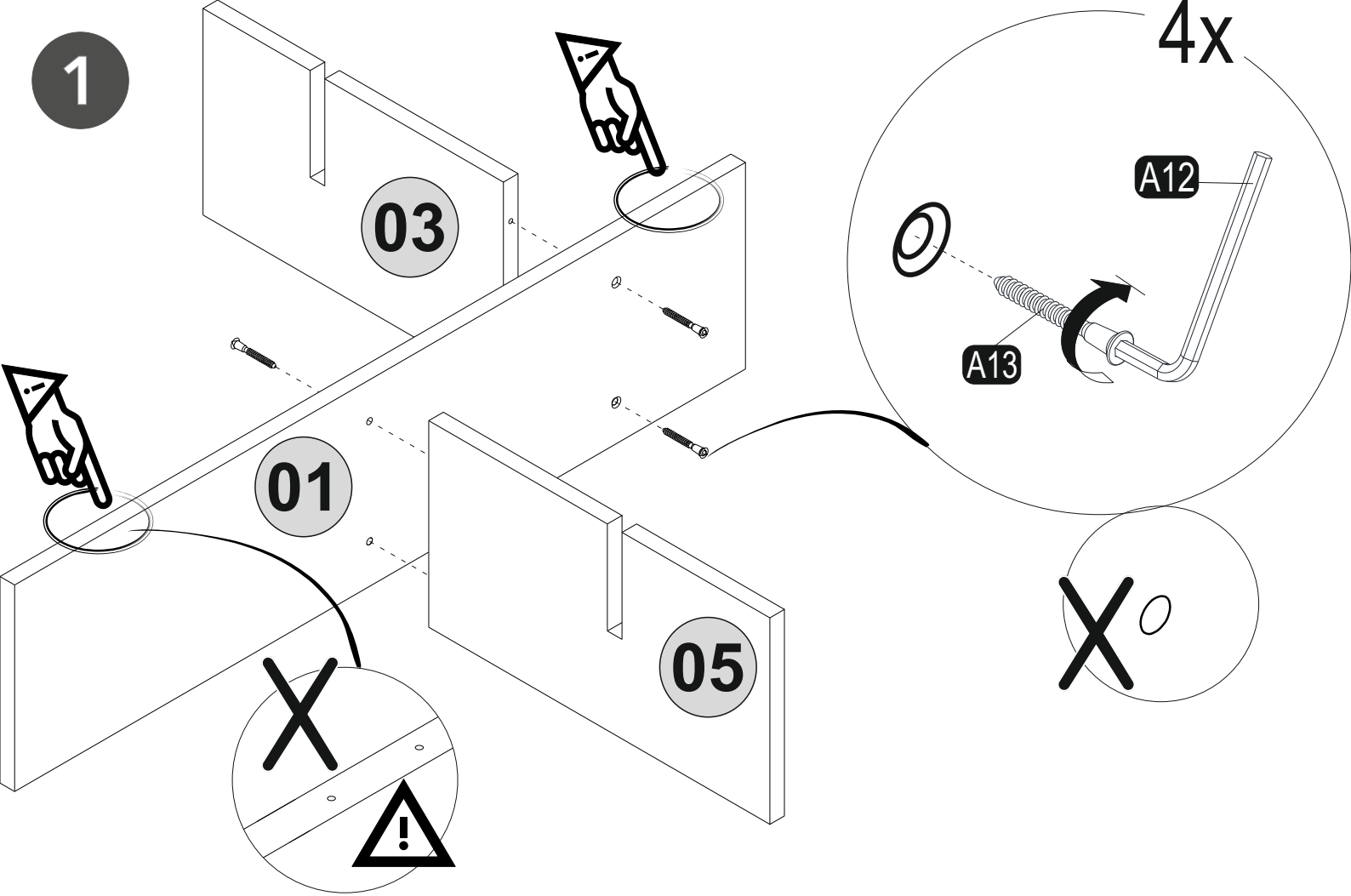
Follow the installation steps in the order as shown.
Position the parts as shown in the installation guide steps.

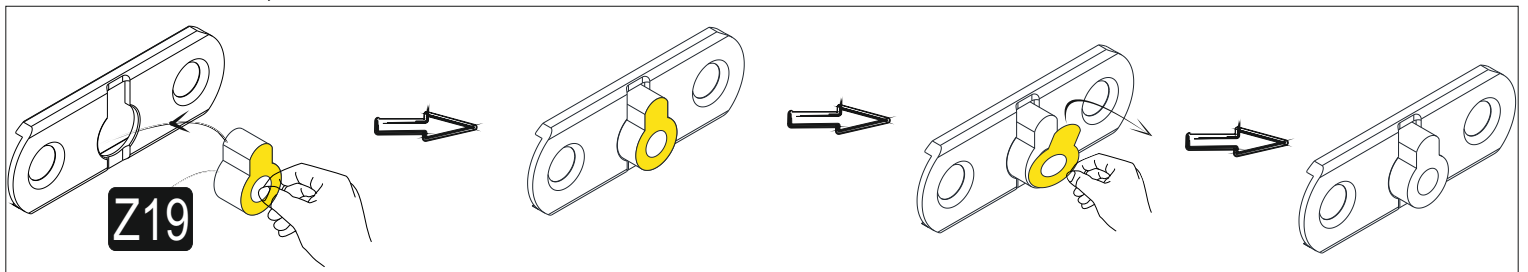
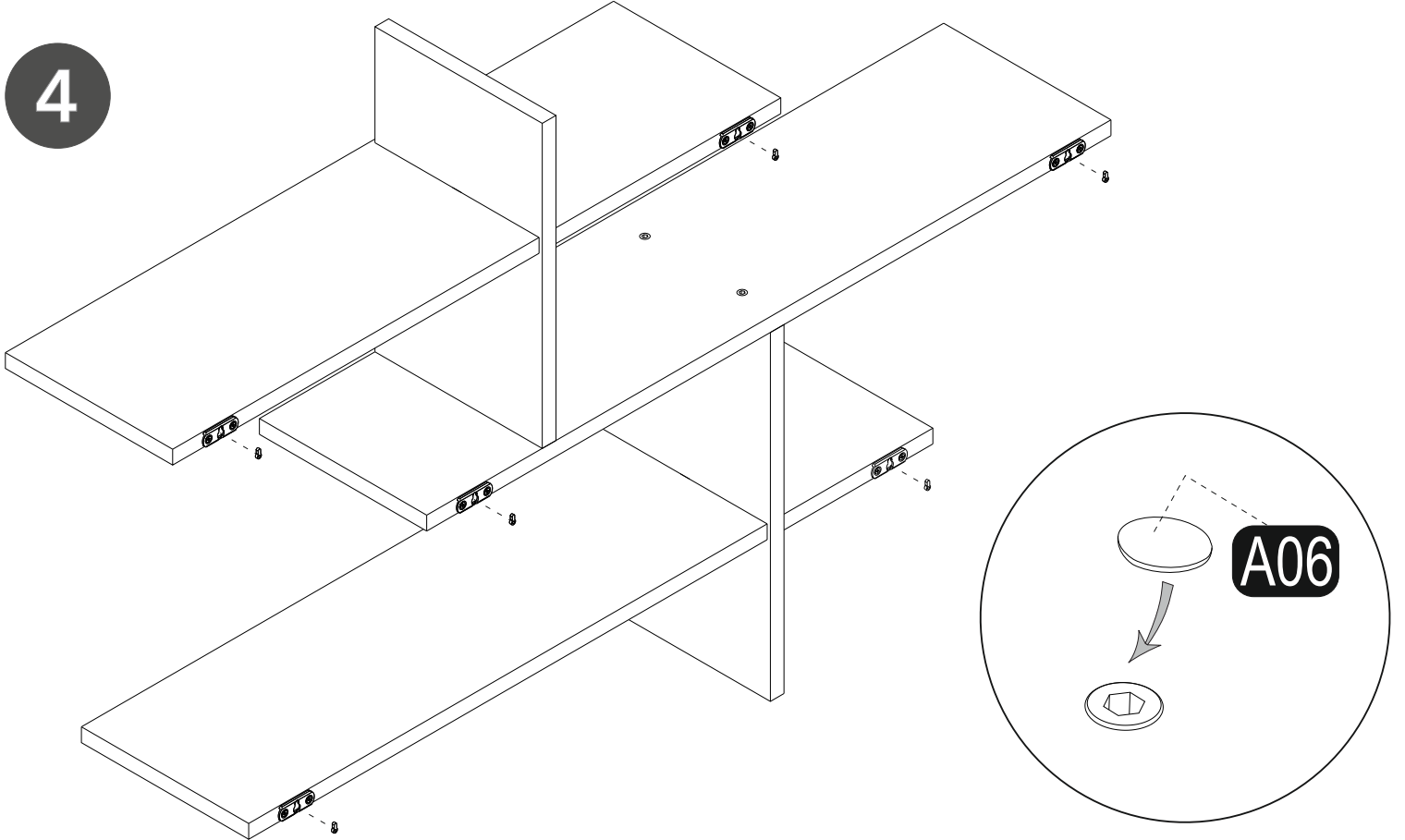
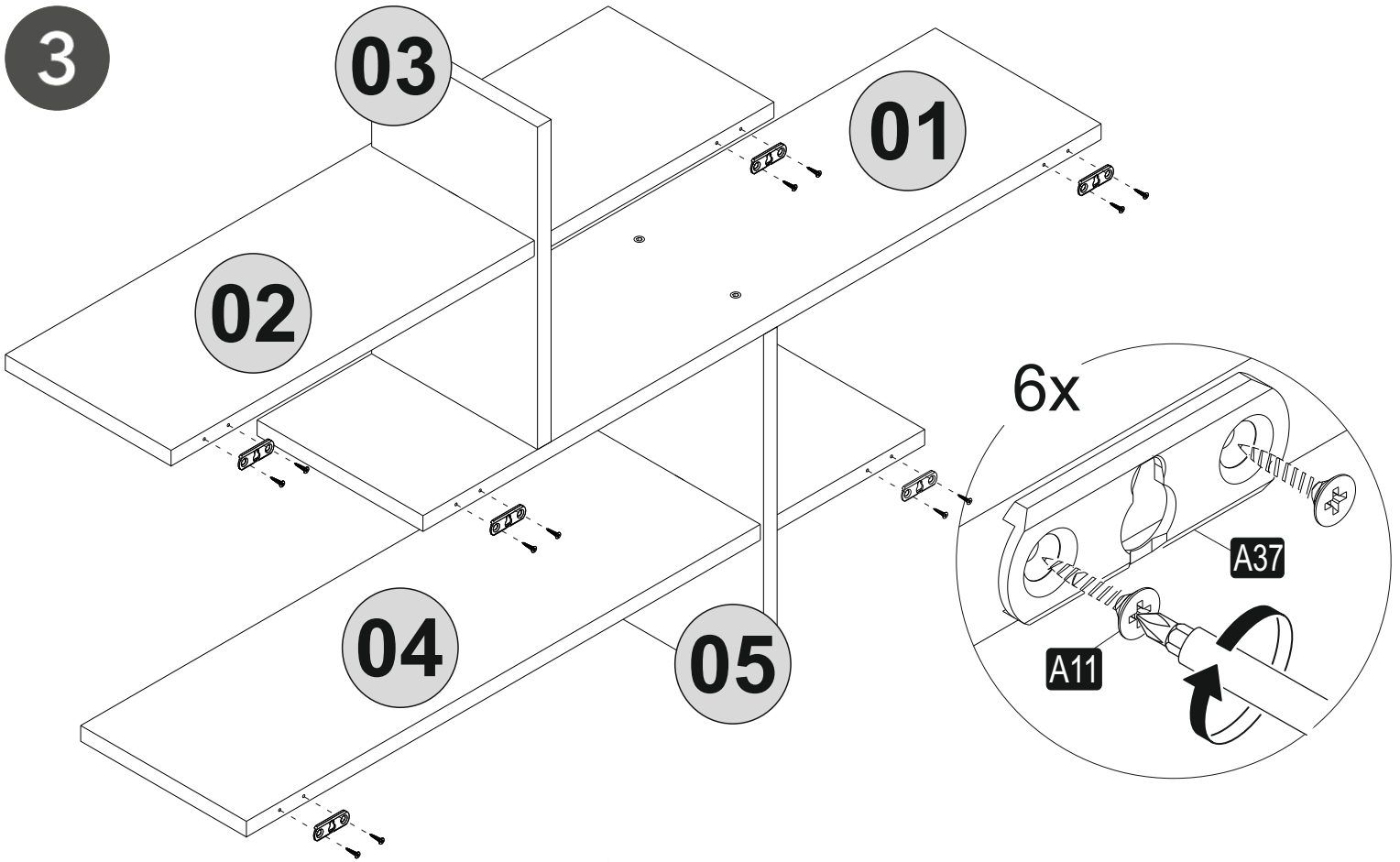


ACCESSORY LIST

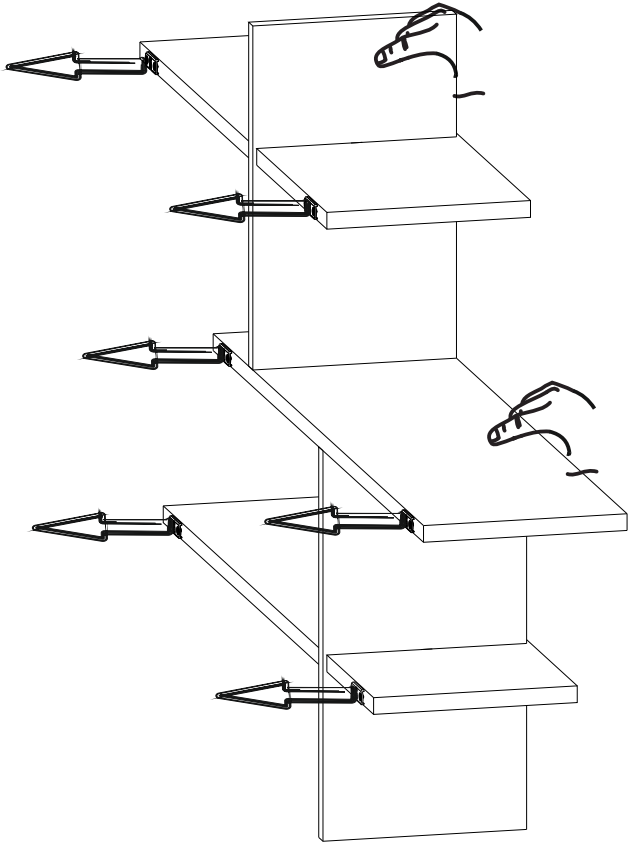
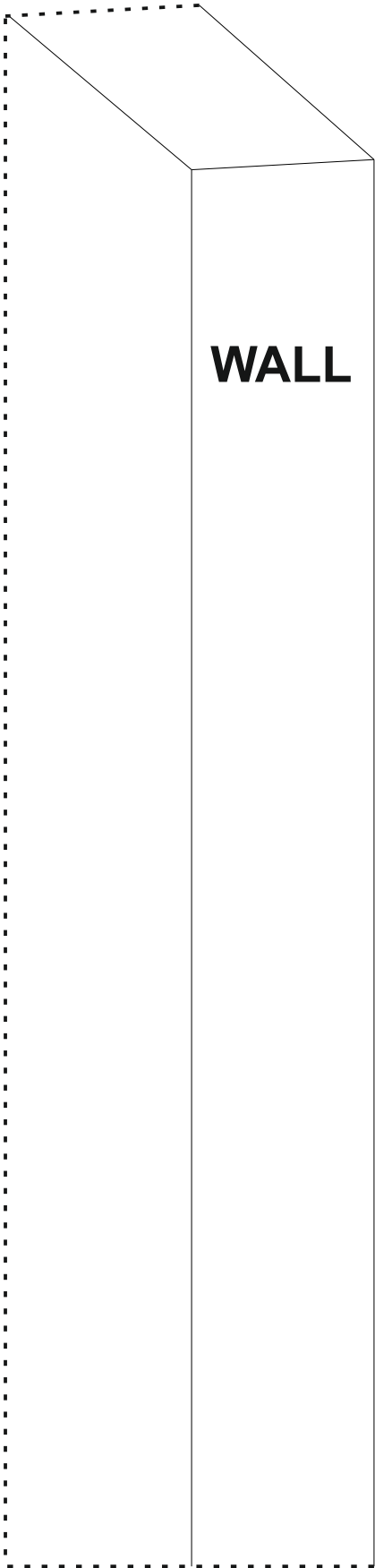
| | | | | |
|---|--|---|---|--|
| A12  Allen 1x | A13  50mm 4x | A06  18mm C1-4x | A37  45/16 mm 6x | Z19  Gbdy 6x |
| A17  4X50 6x | A16  DbØ8 6x | A11  3,5X30 12x | | |



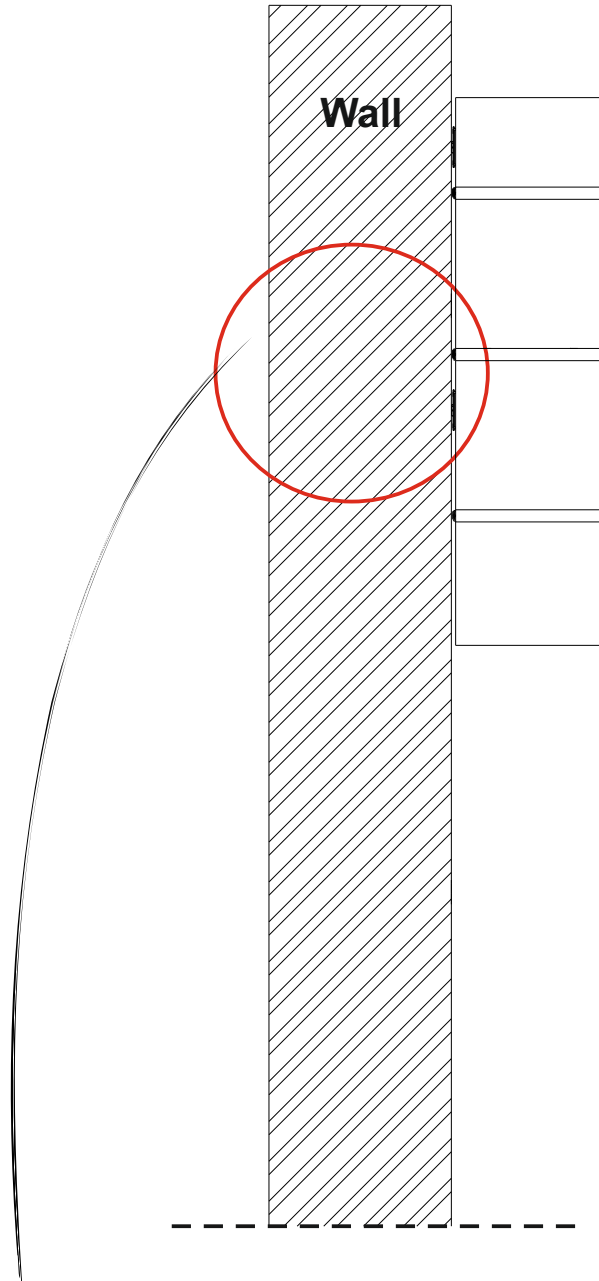




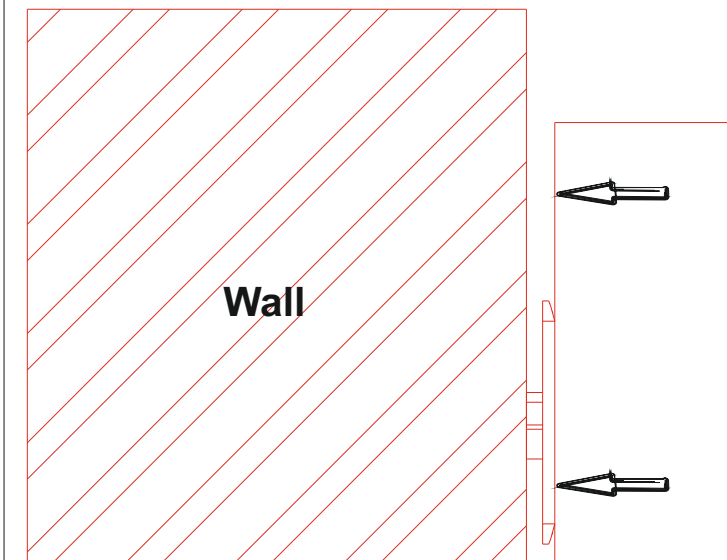
5



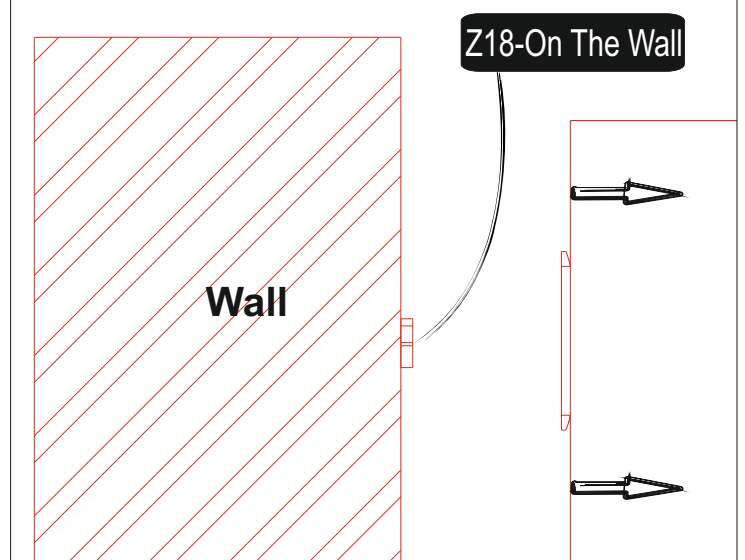
6



Step - 1



Step - 2



7

