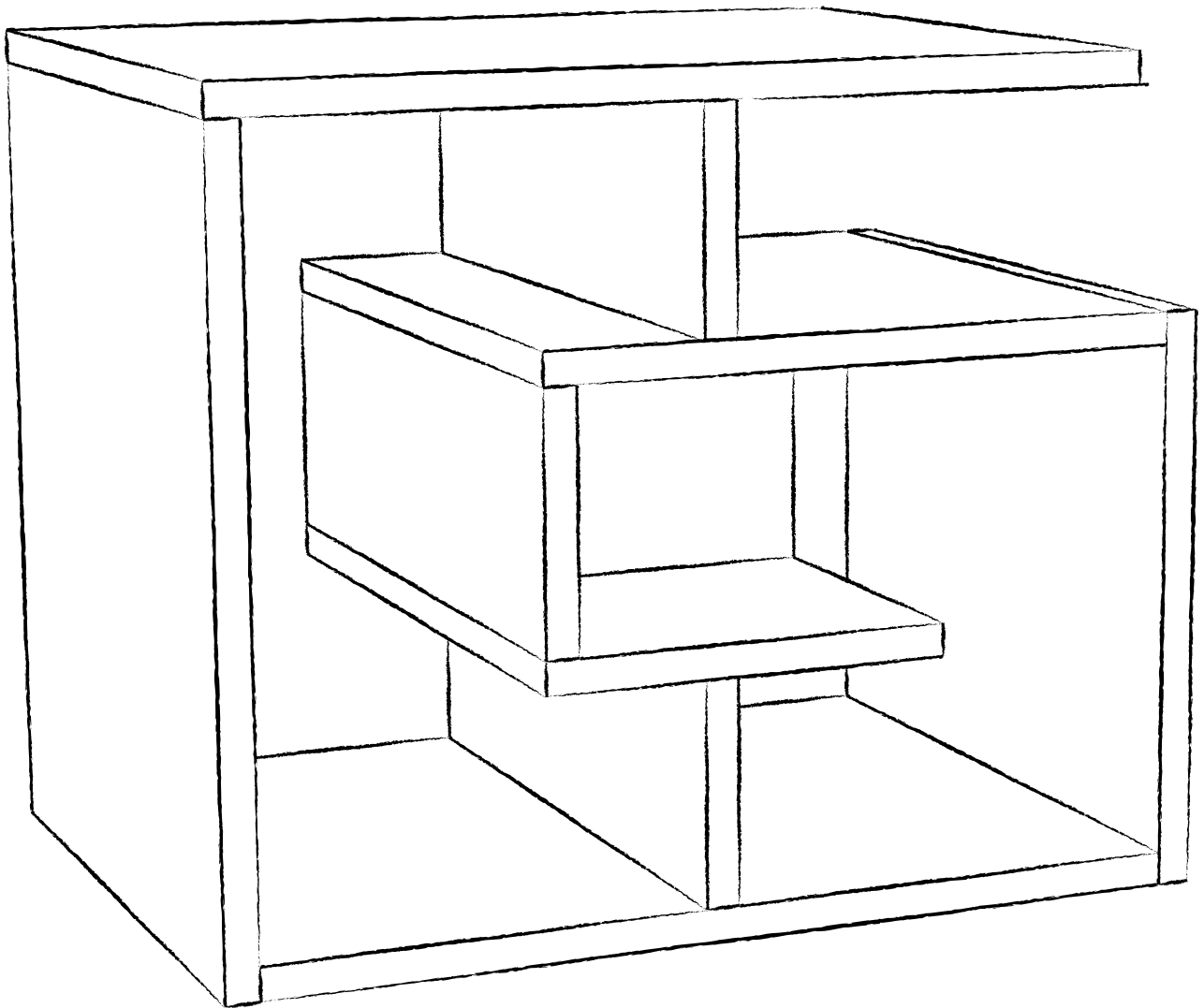
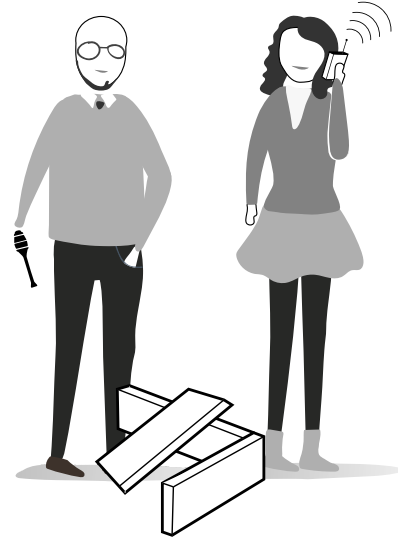
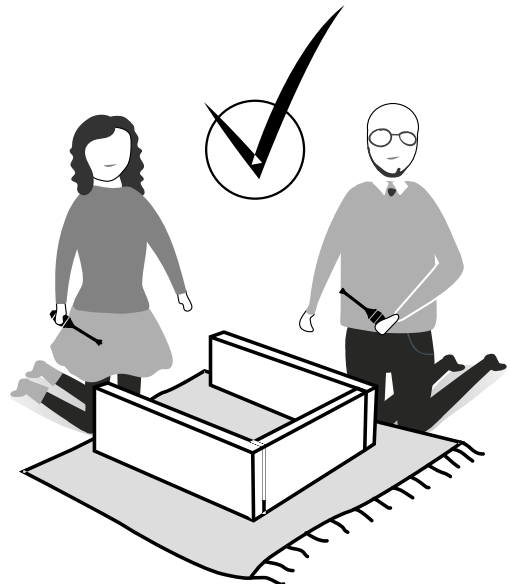
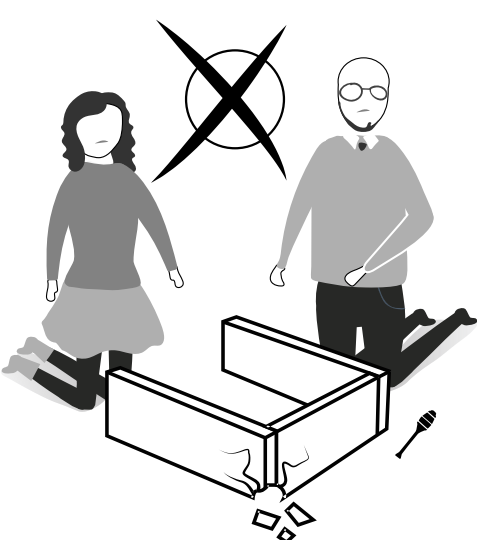
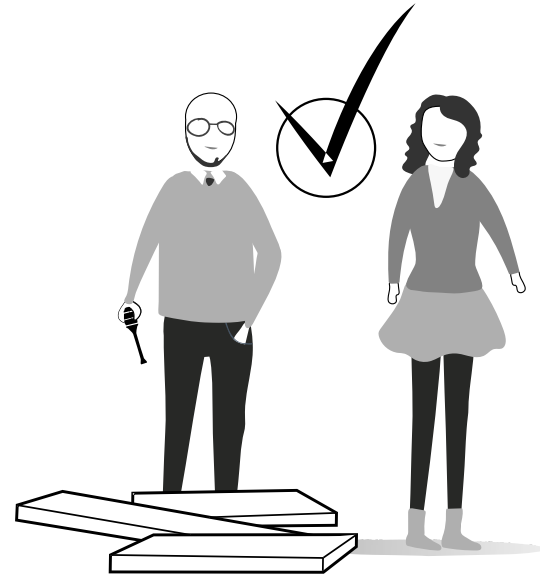
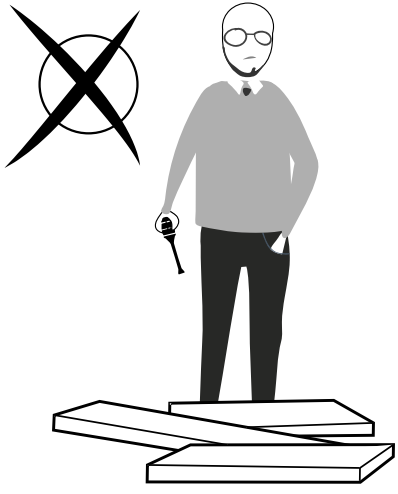


GP037-0023,1

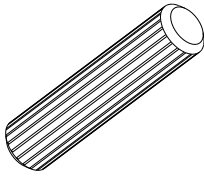




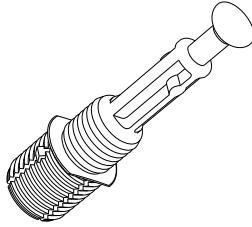
ATTENTION !!

Minifix is the main connection material used in ada products.
Before starting assembly, please check the drawings below.

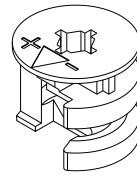
A04



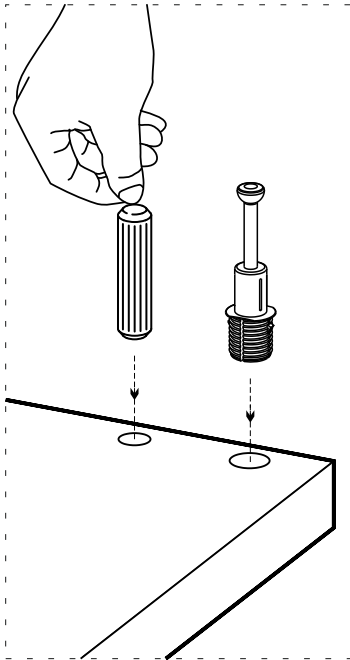
A23



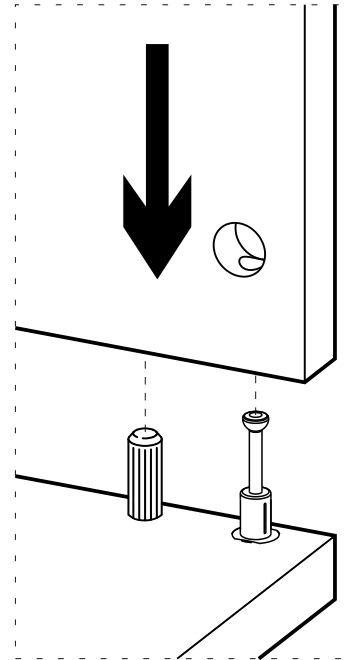
A22



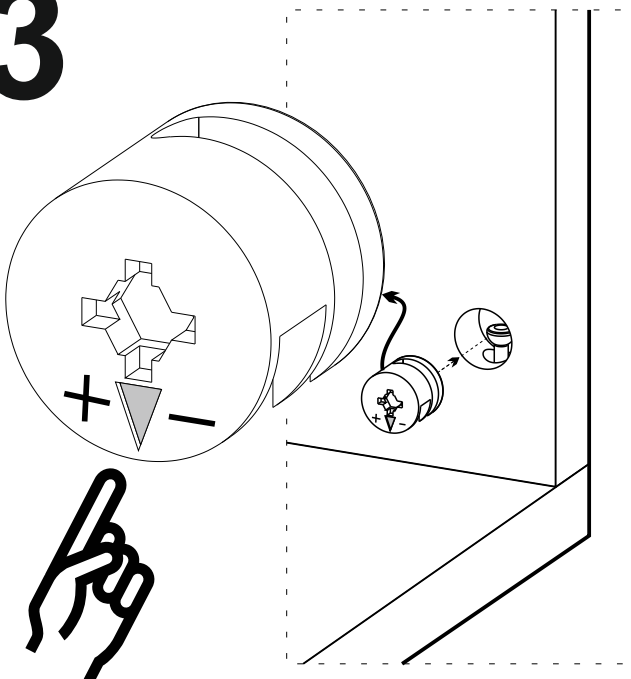
1



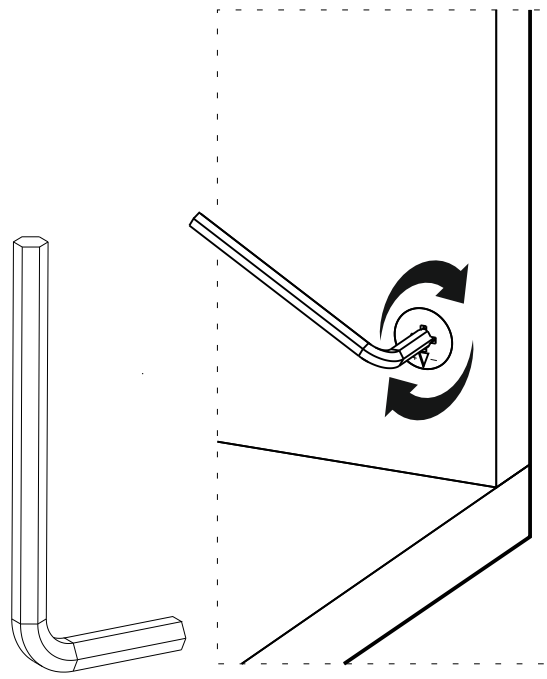
2



3




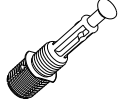
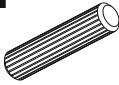
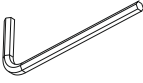
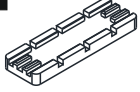

4

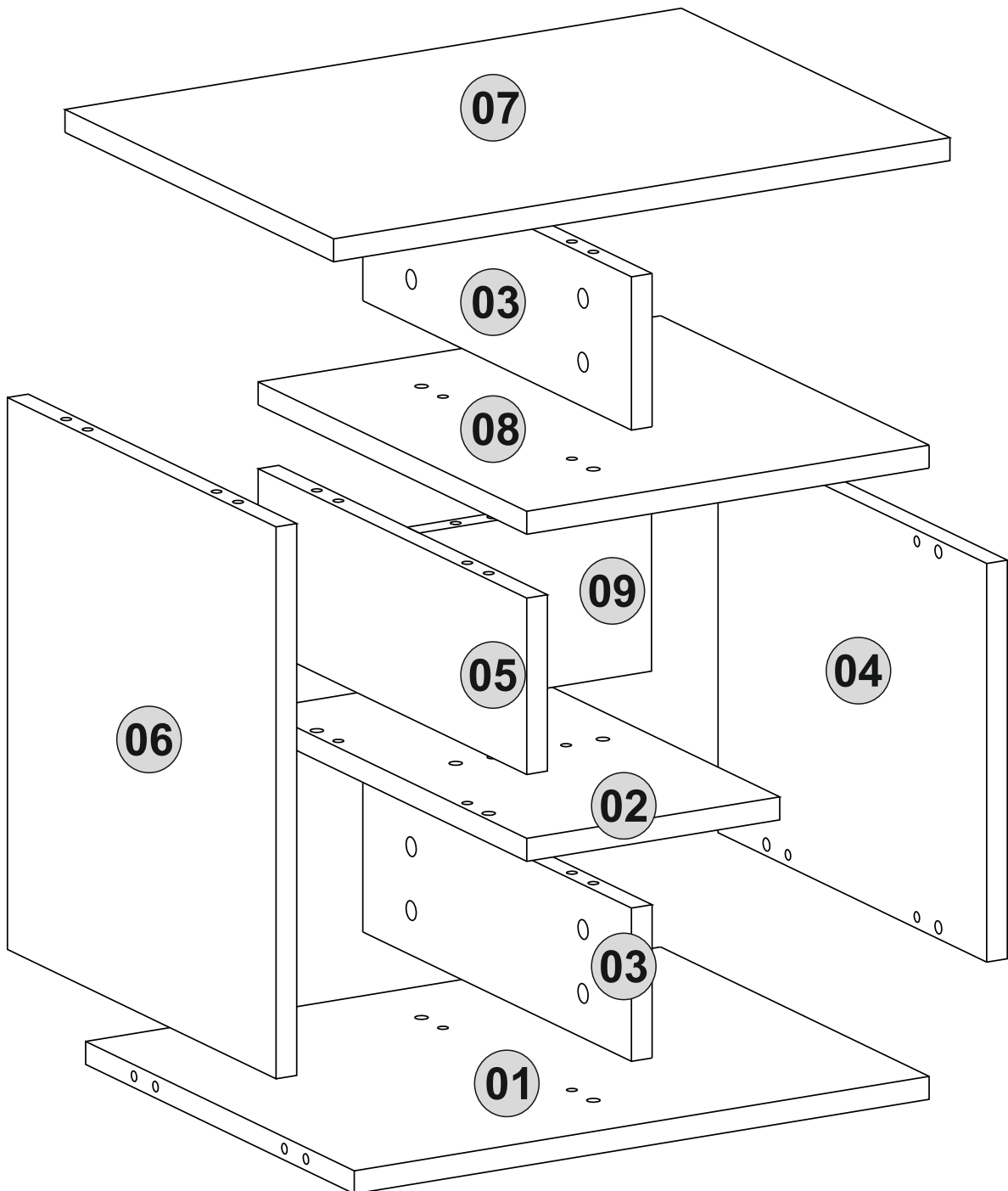


Follow the installation steps in the order as shown.
Position the parts as shown in the installation guide steps.

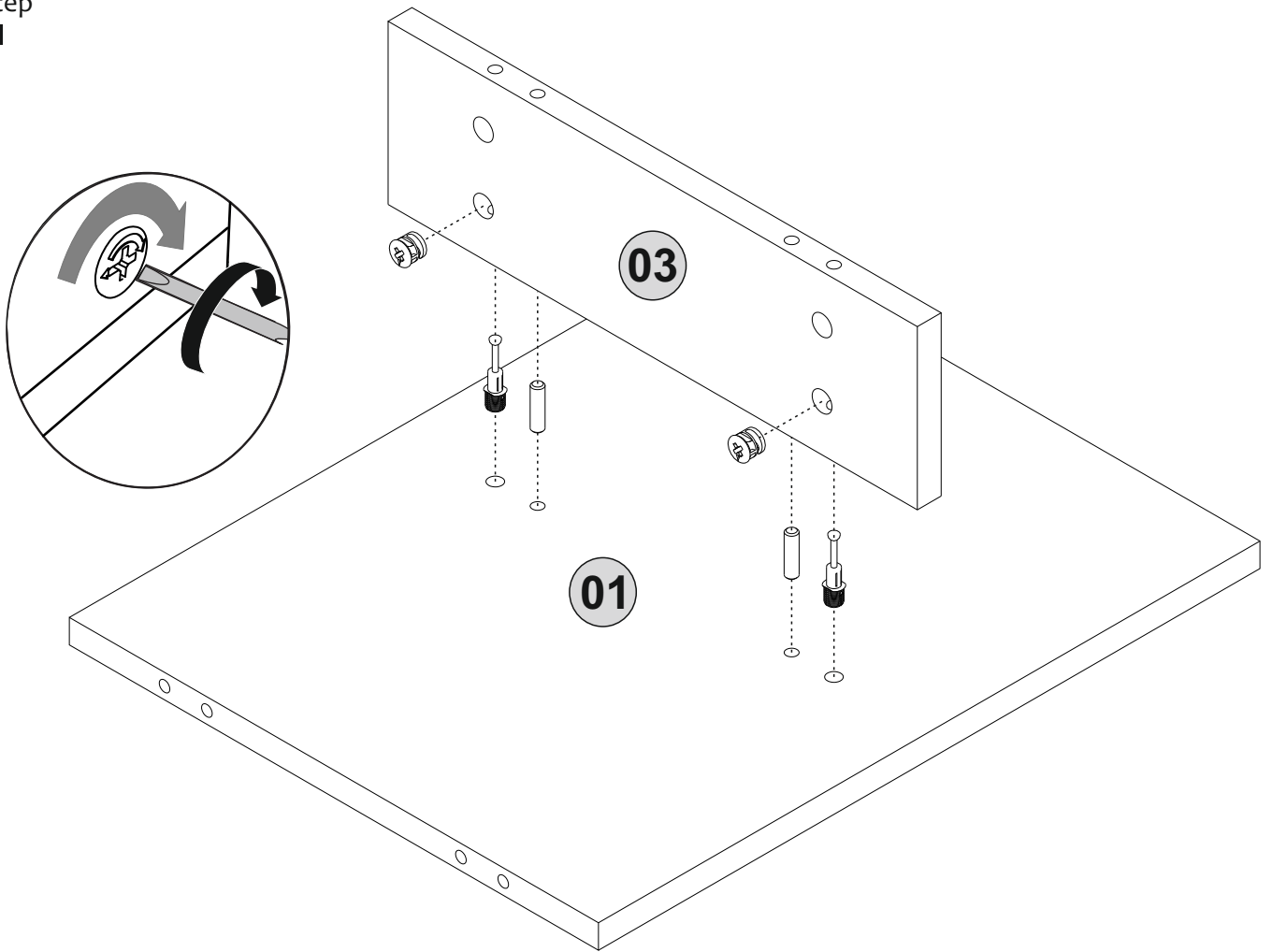


ACCESSORY LIST

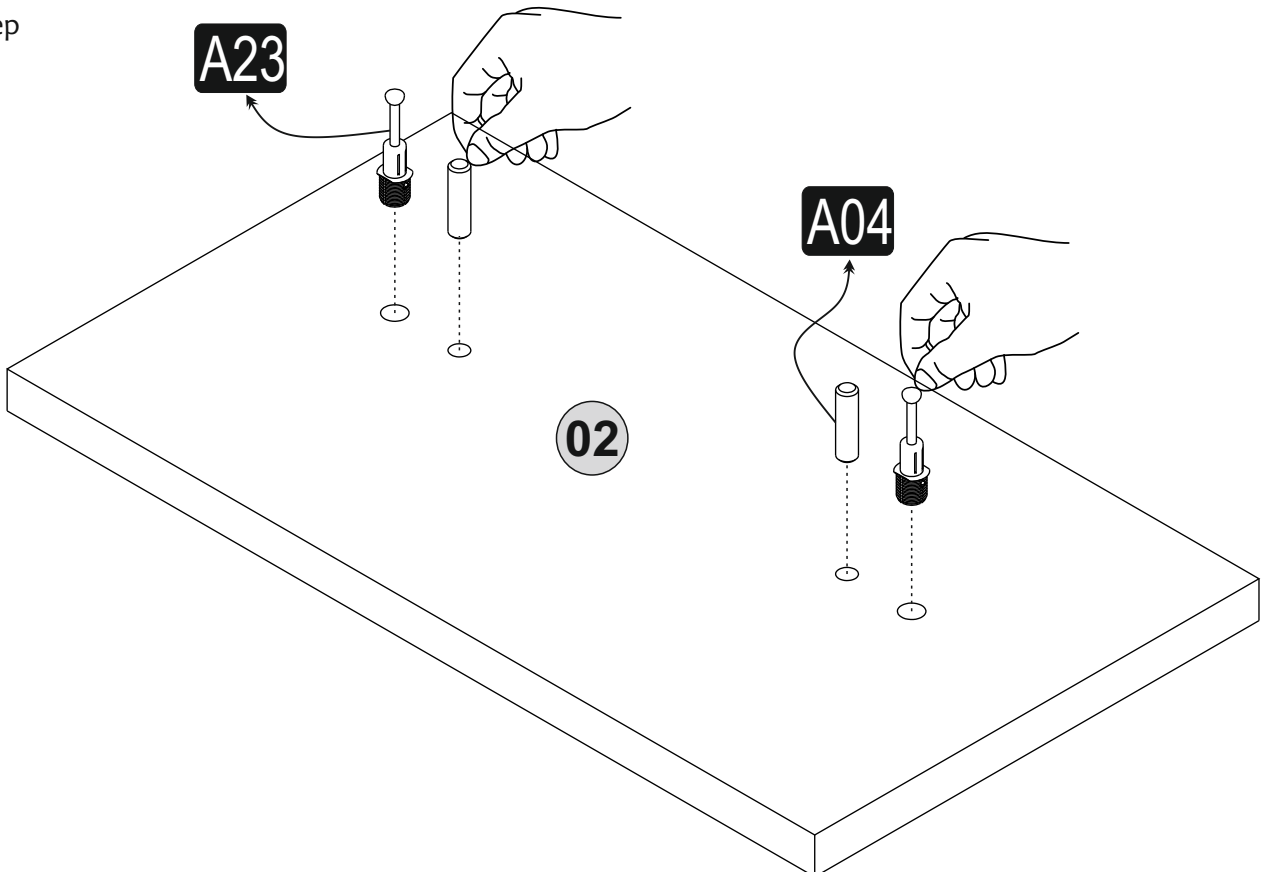
A22  Minifix k18 24x	A23  Minifix M10 24x	A04  Ø8 24x	A12  Allen 1x	A08  5mm 4x
A06  18mm 24x				



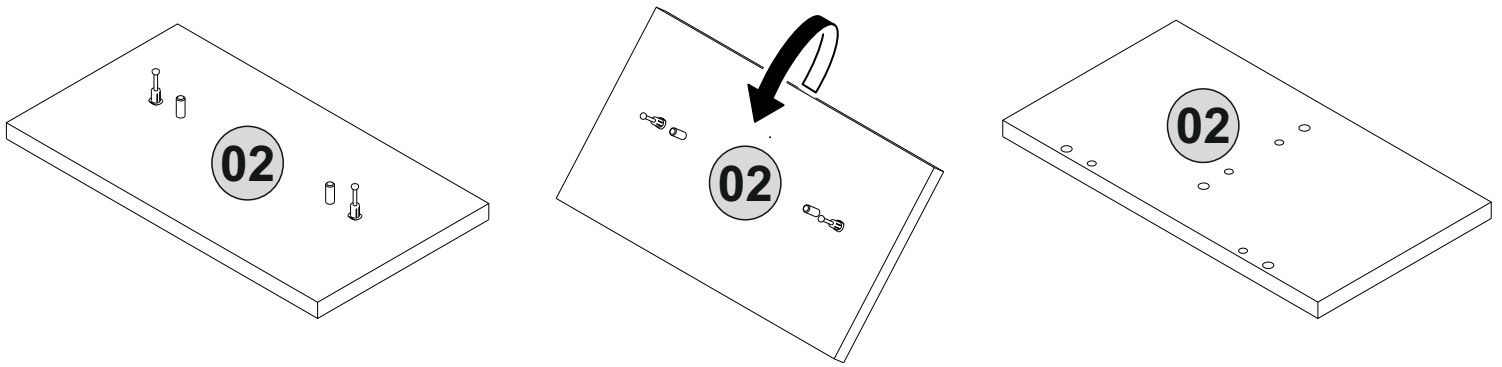
1. step



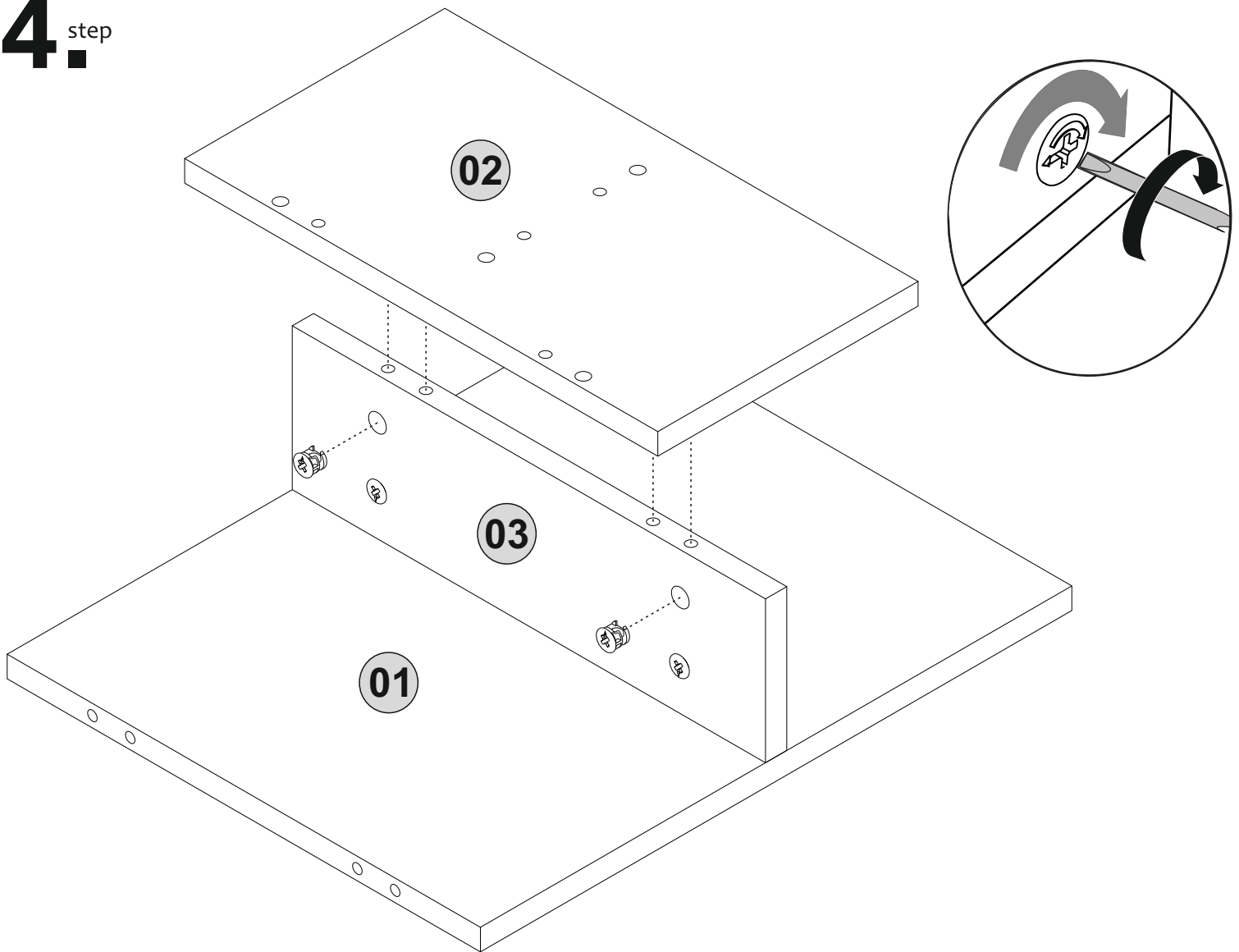
2. step



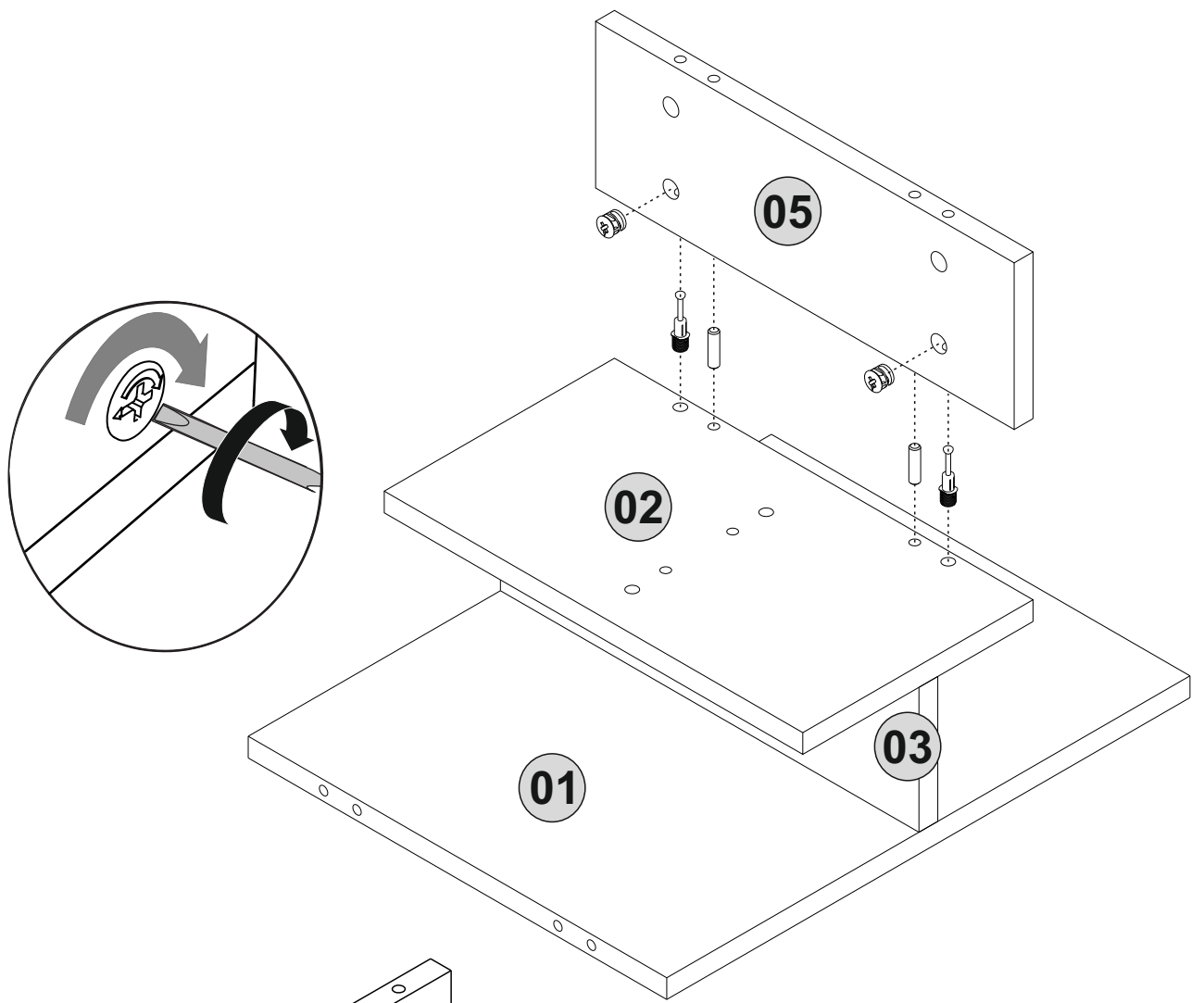
3^{step}



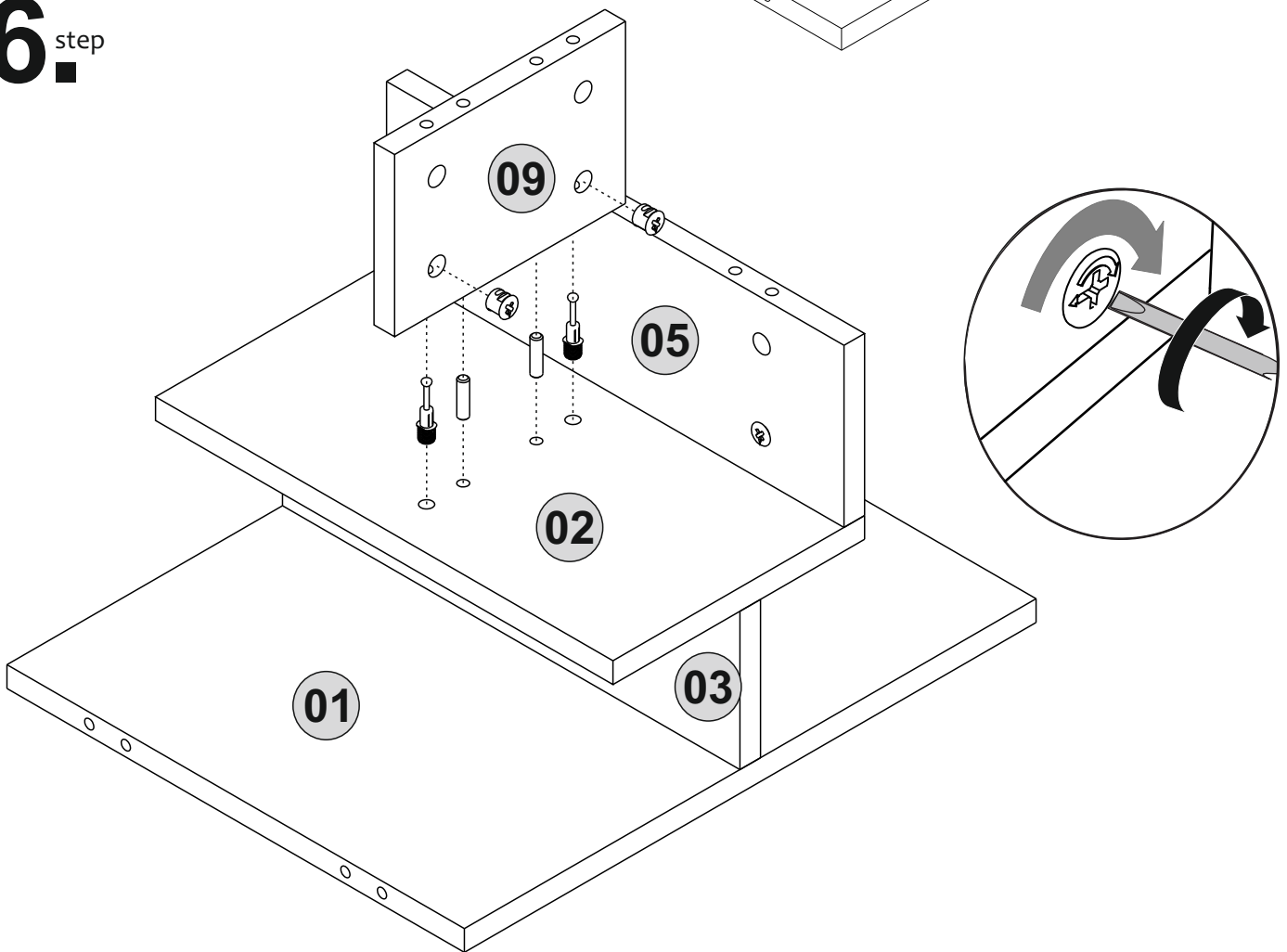
4^{step}



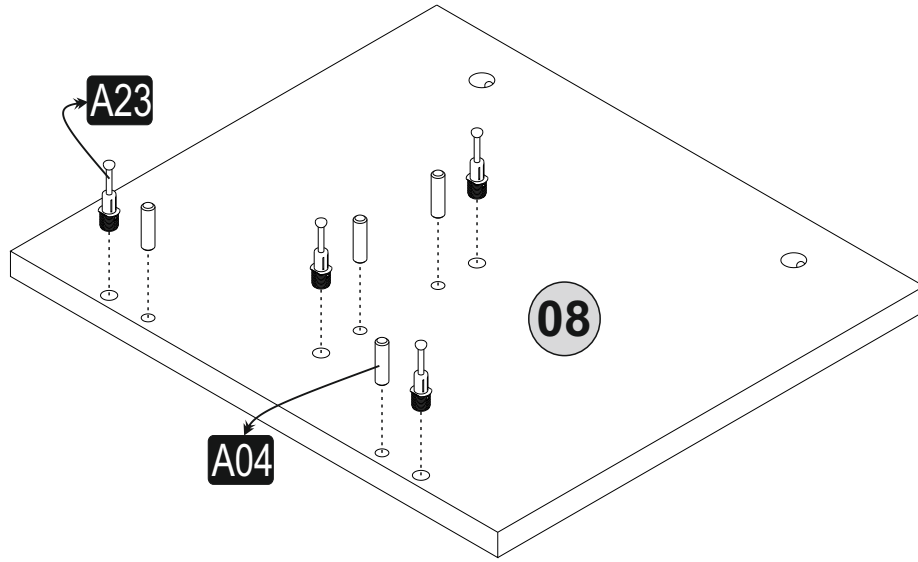
5^{step}



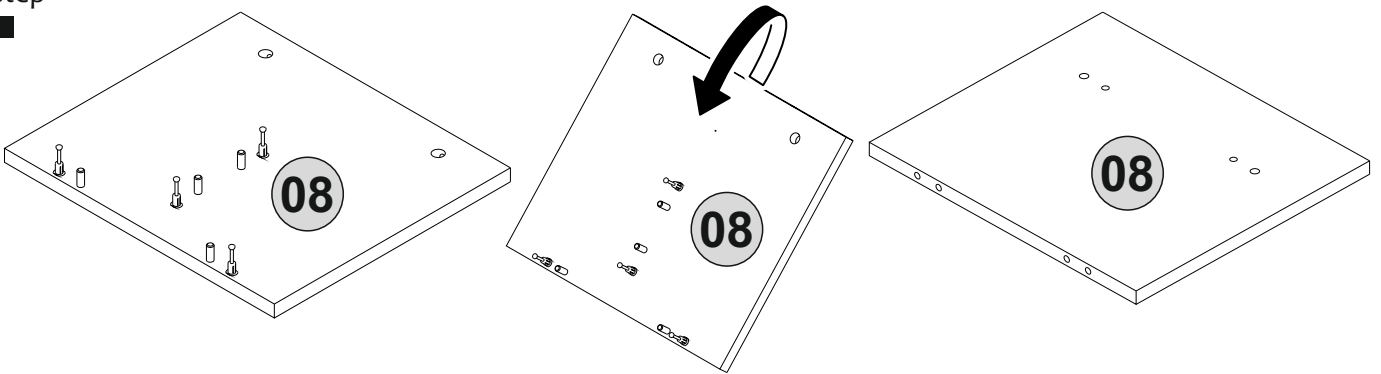
6^{step}



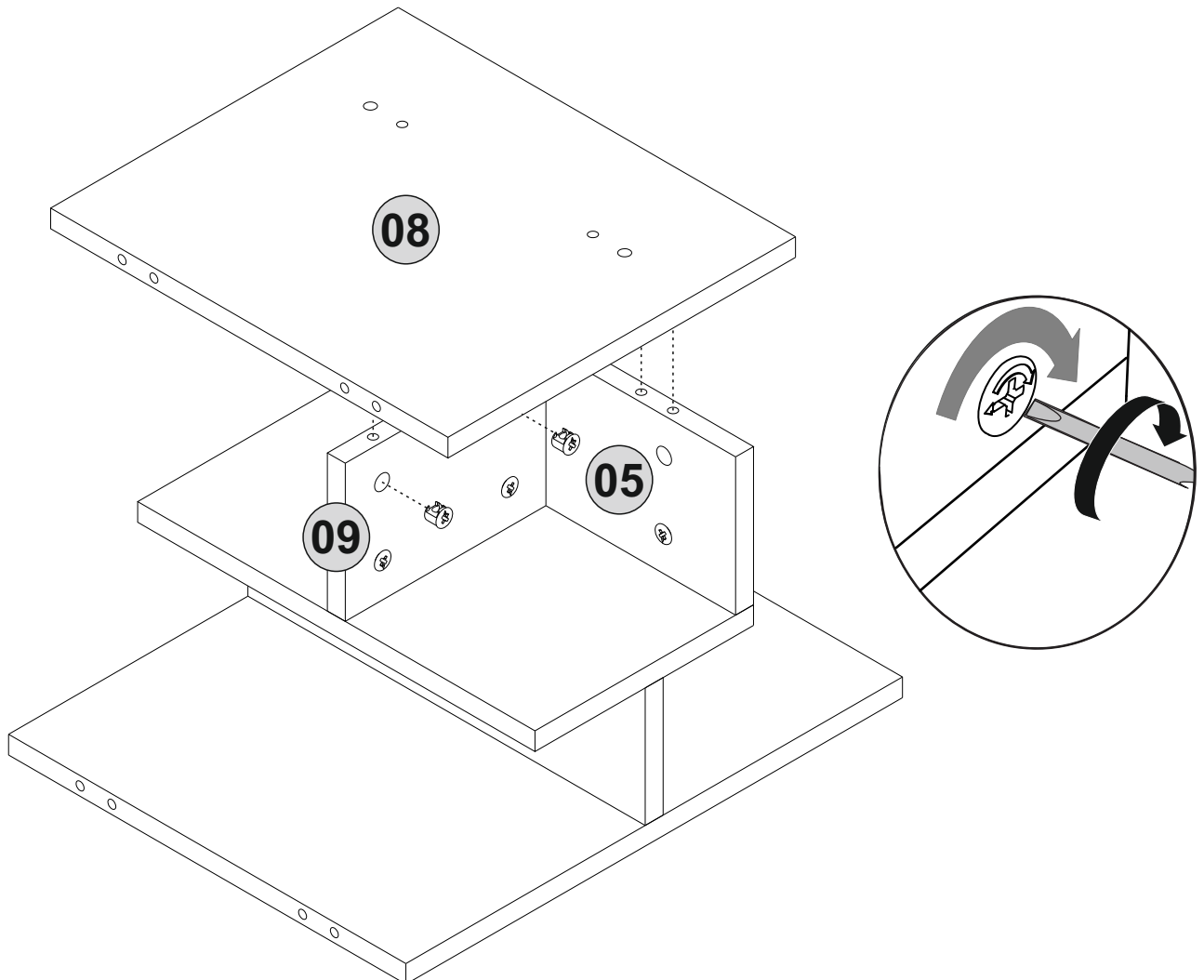
7^{step}



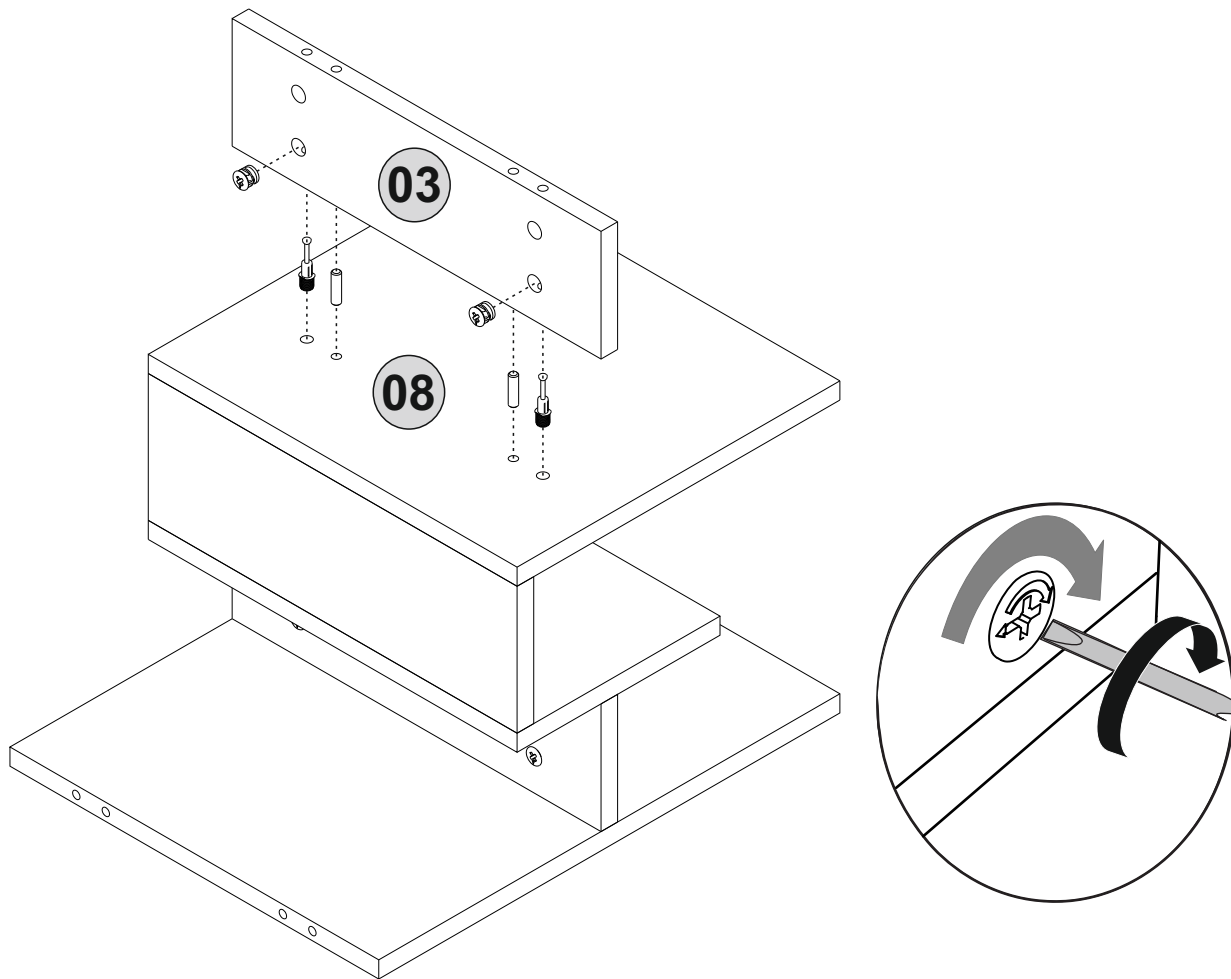
8^{step}



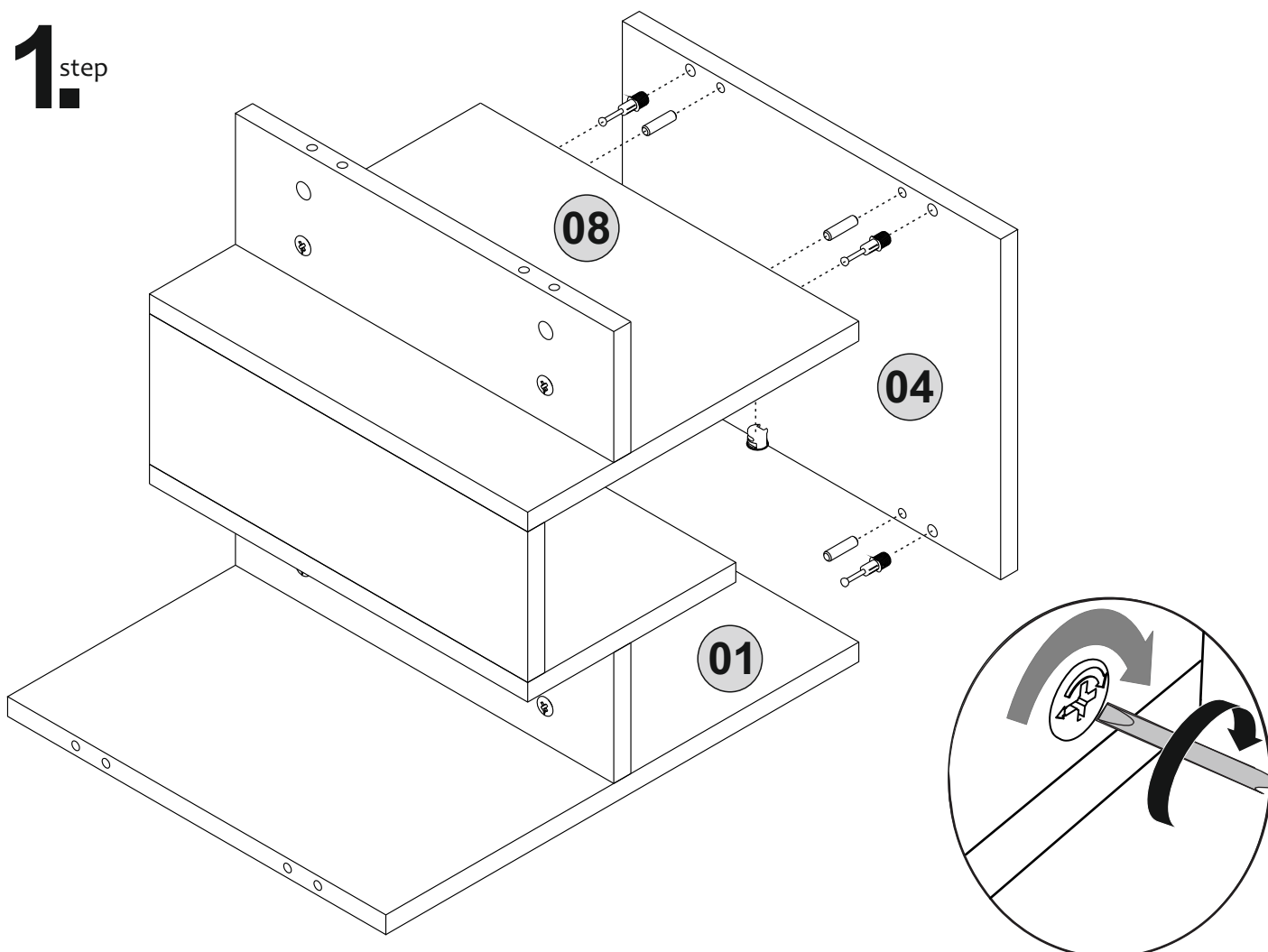
9^{step}



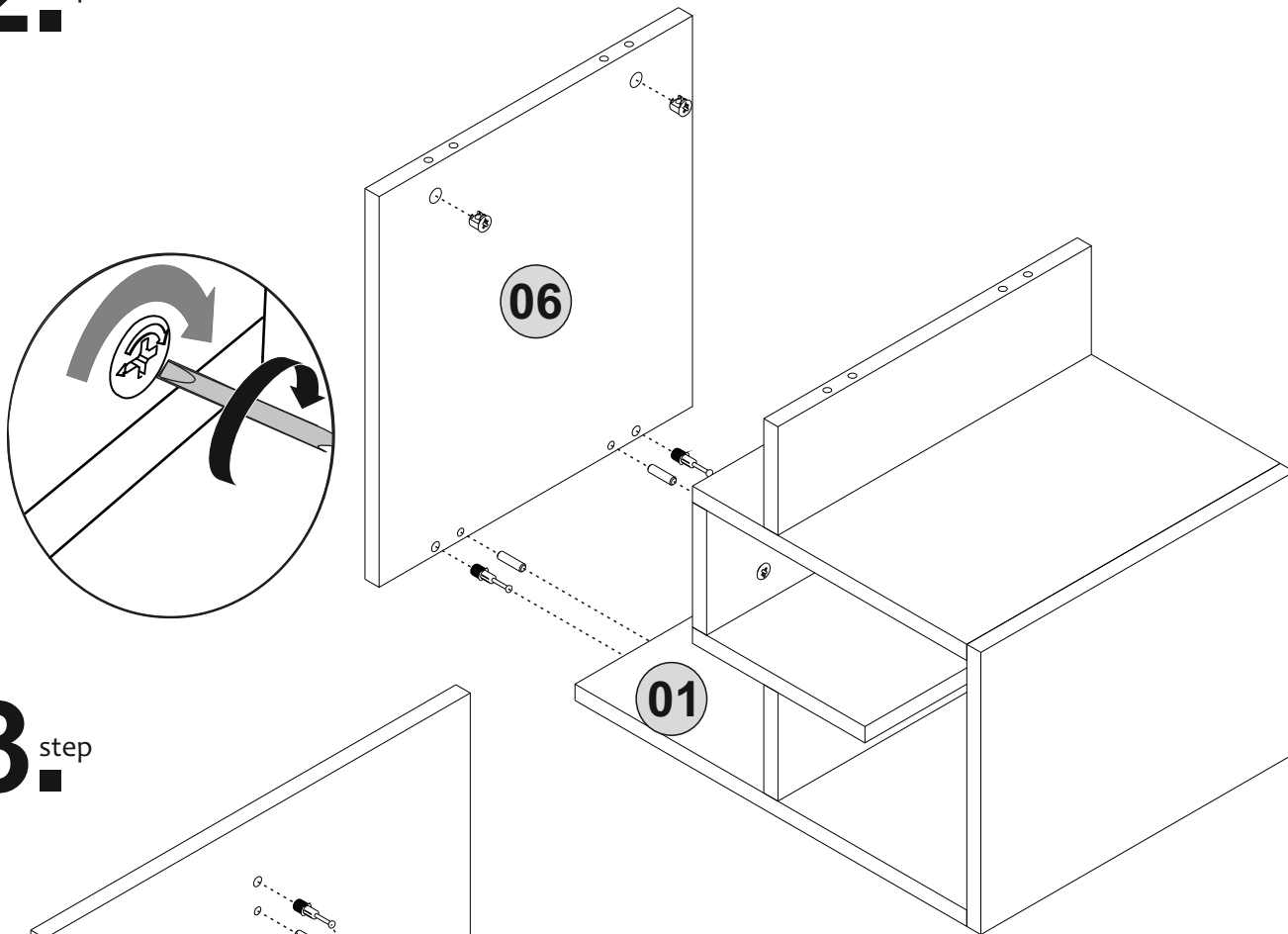
10.^{step}



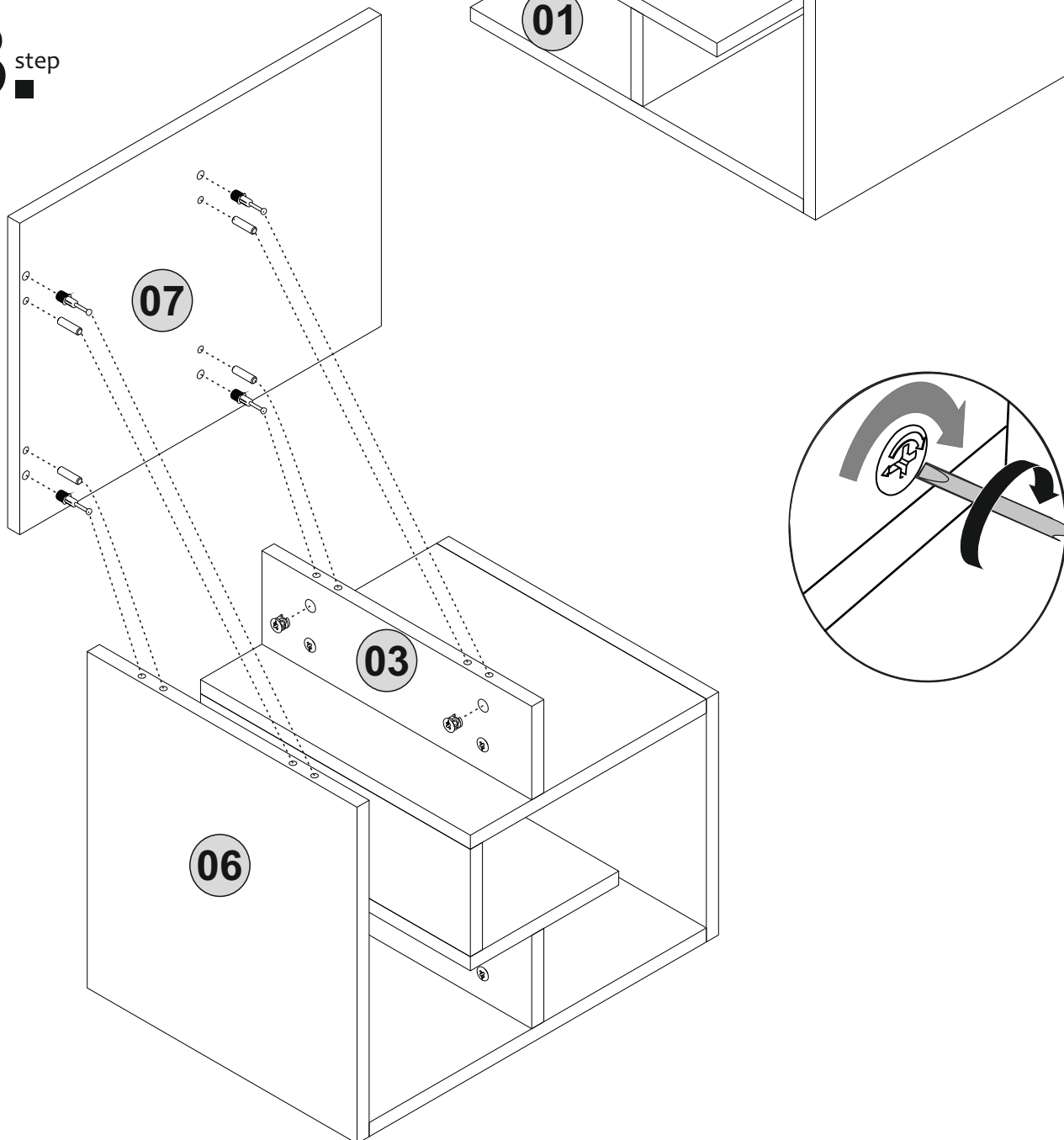
11.^{step}



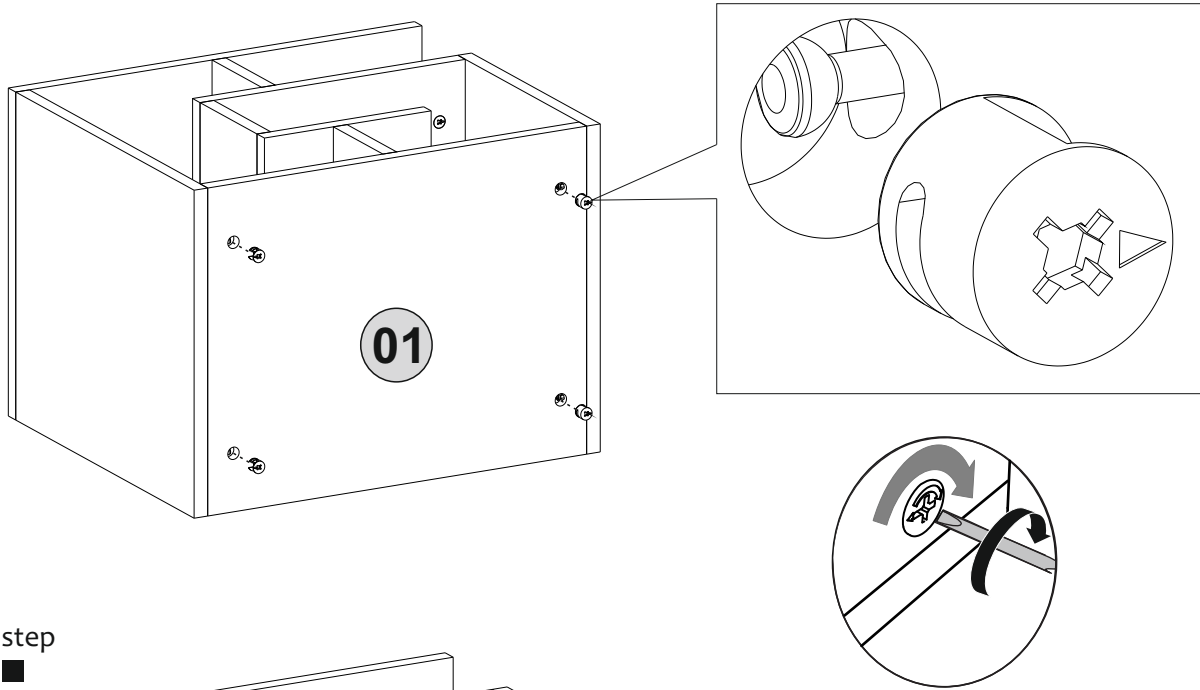
12.^{step}



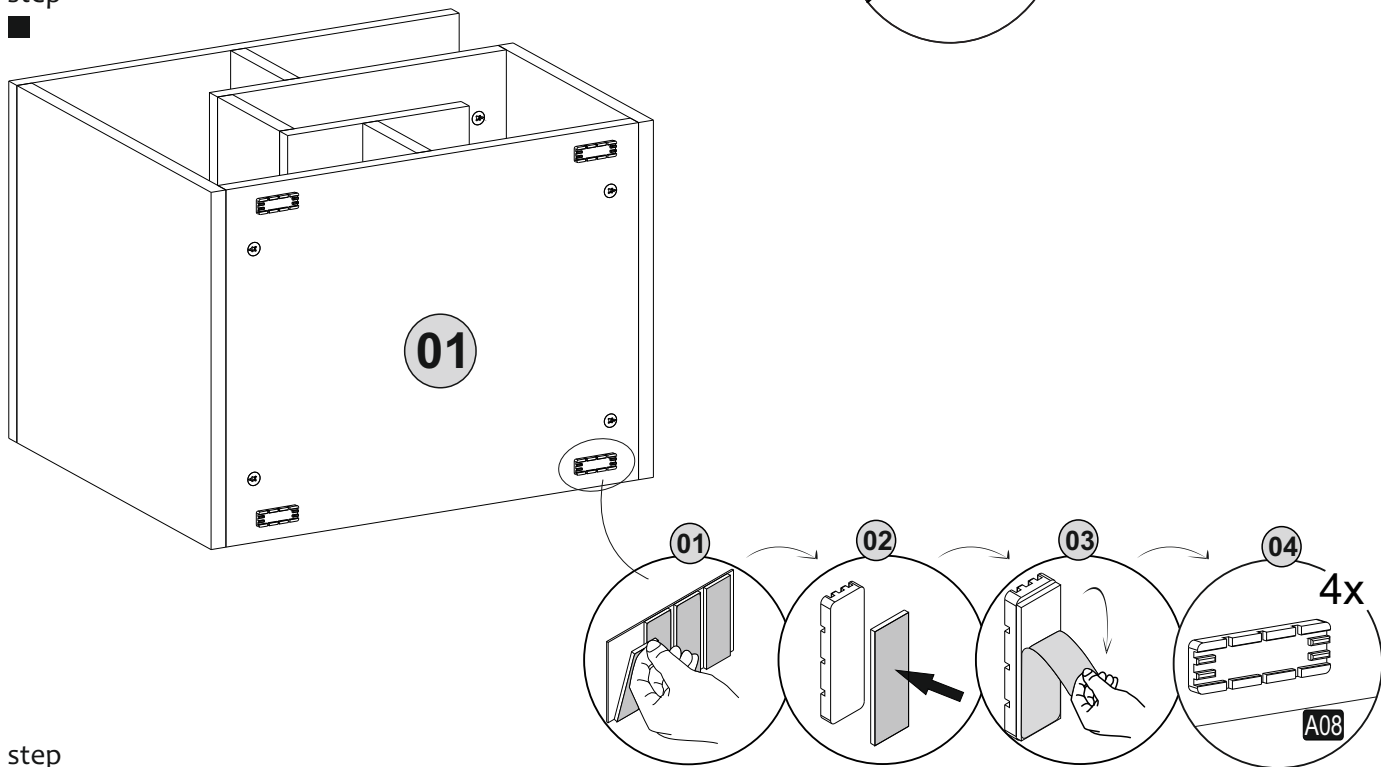
13.^{step}



14.^{step}



15.^{step}



16.^{step}

