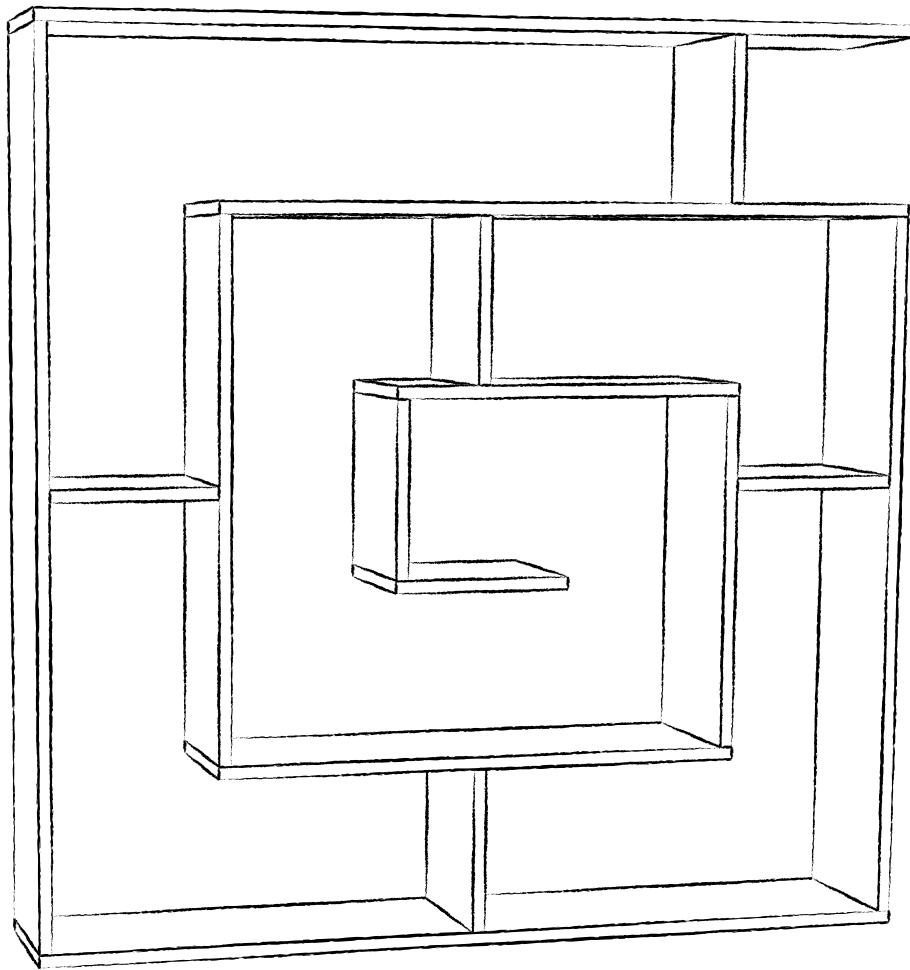
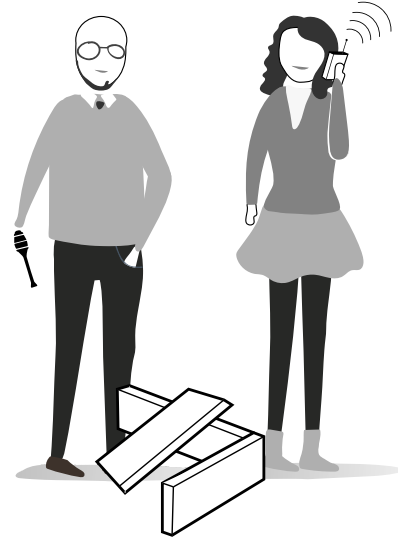
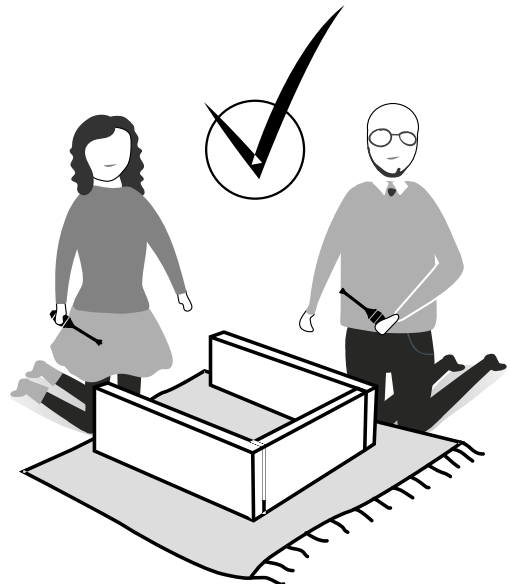
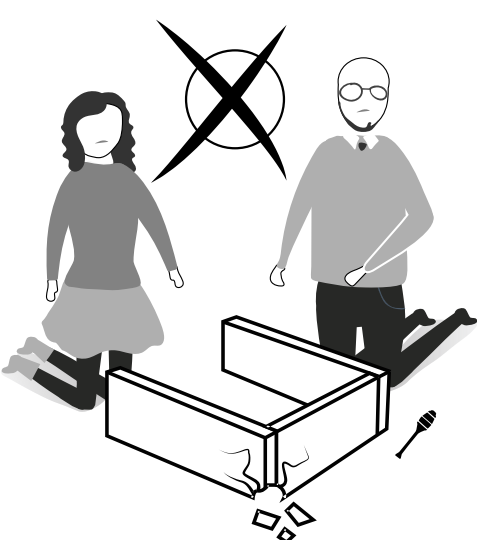
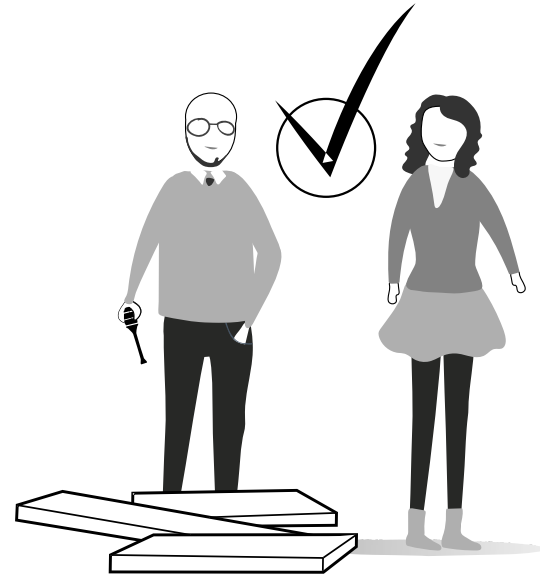
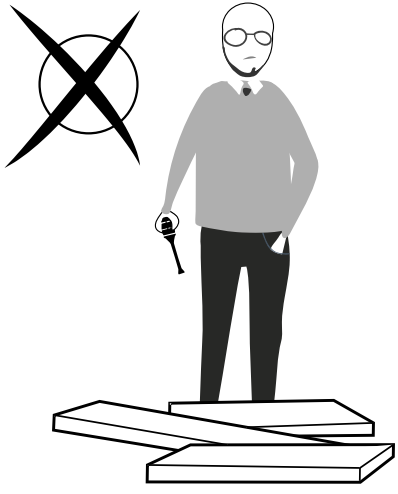


GP037-0022,2





ATTENTION !!

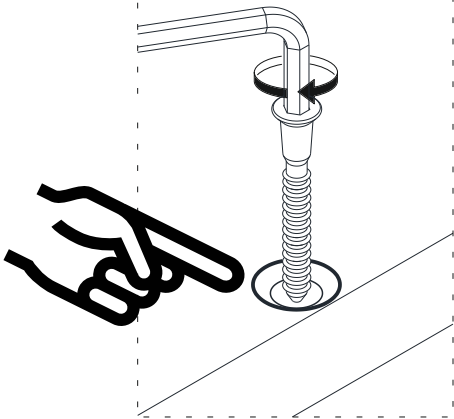
Our products are screw system. Before you proceed with installation try to understand the following



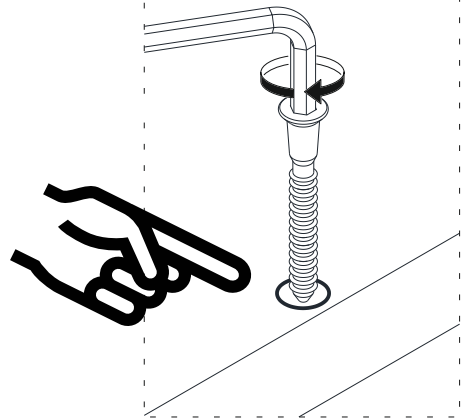
A13



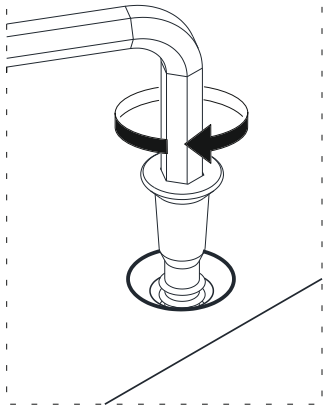
1



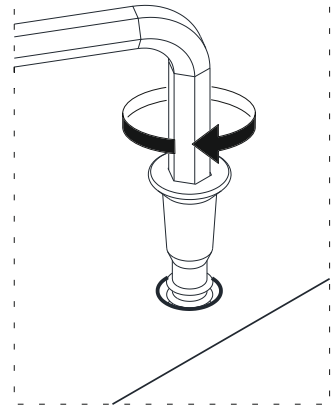
1



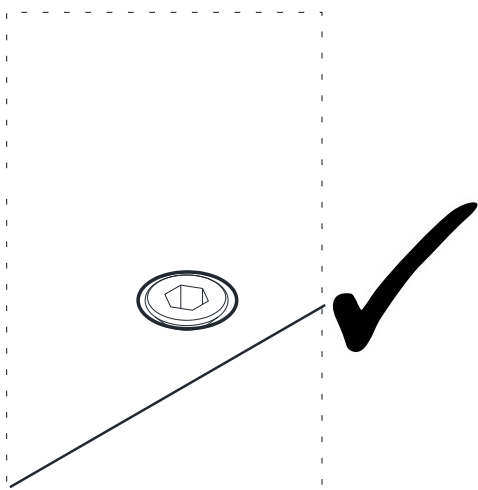
2



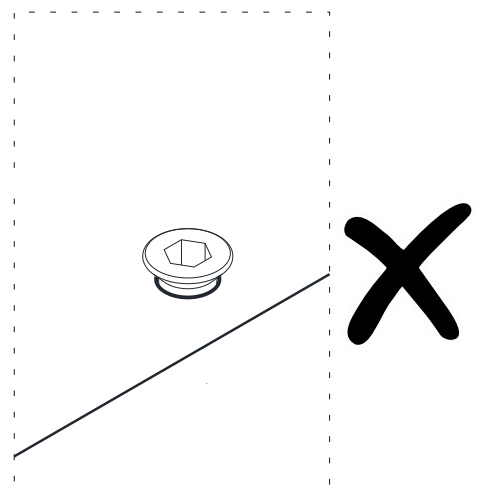
2



3




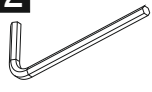
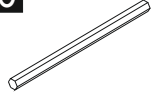
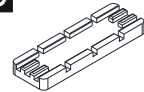
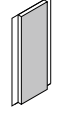
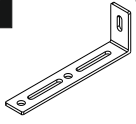
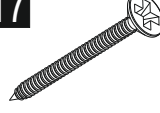



3

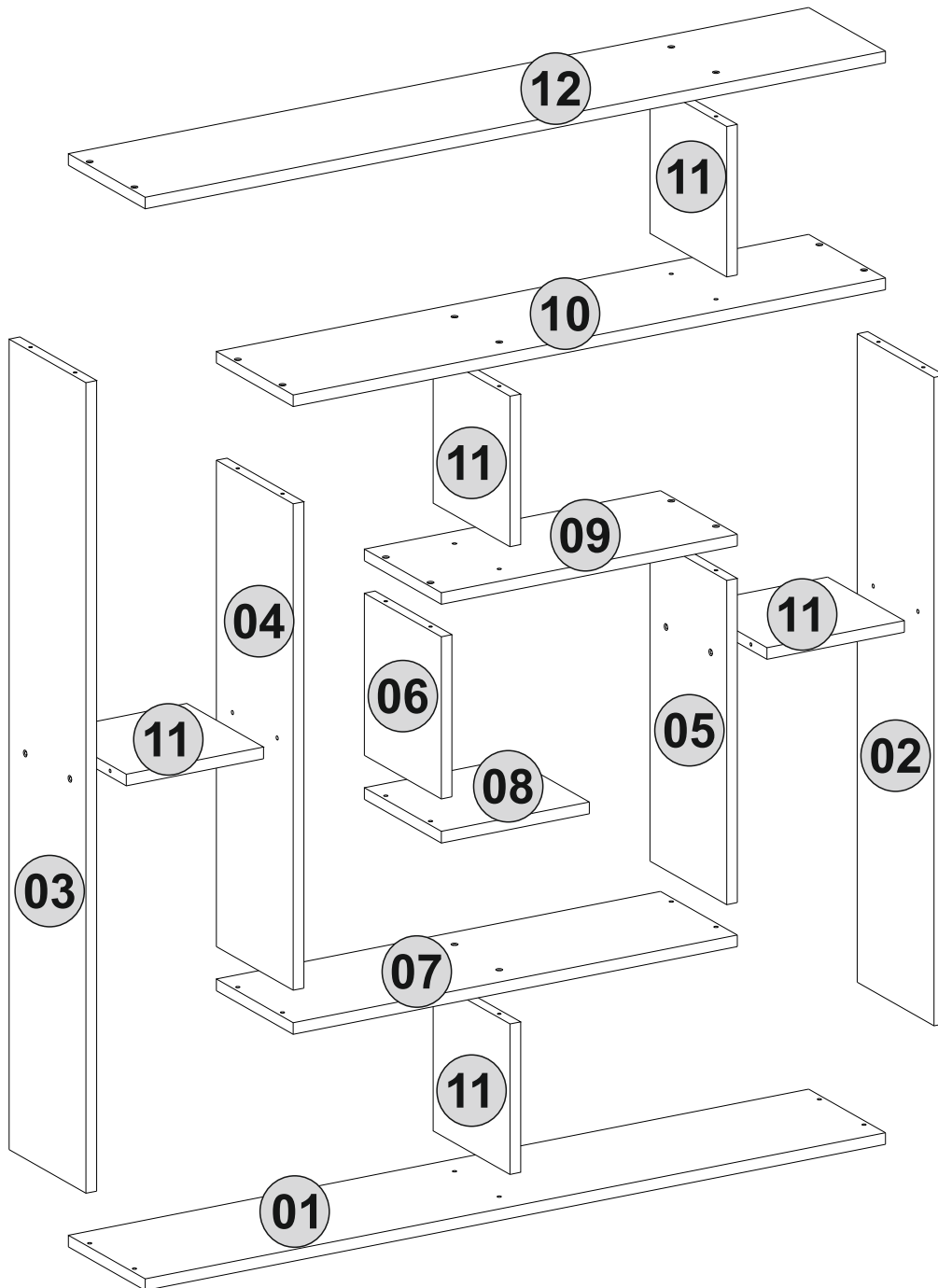


Follow the installation steps in the order as shown.
Position the parts as shown in the installation guide steps.

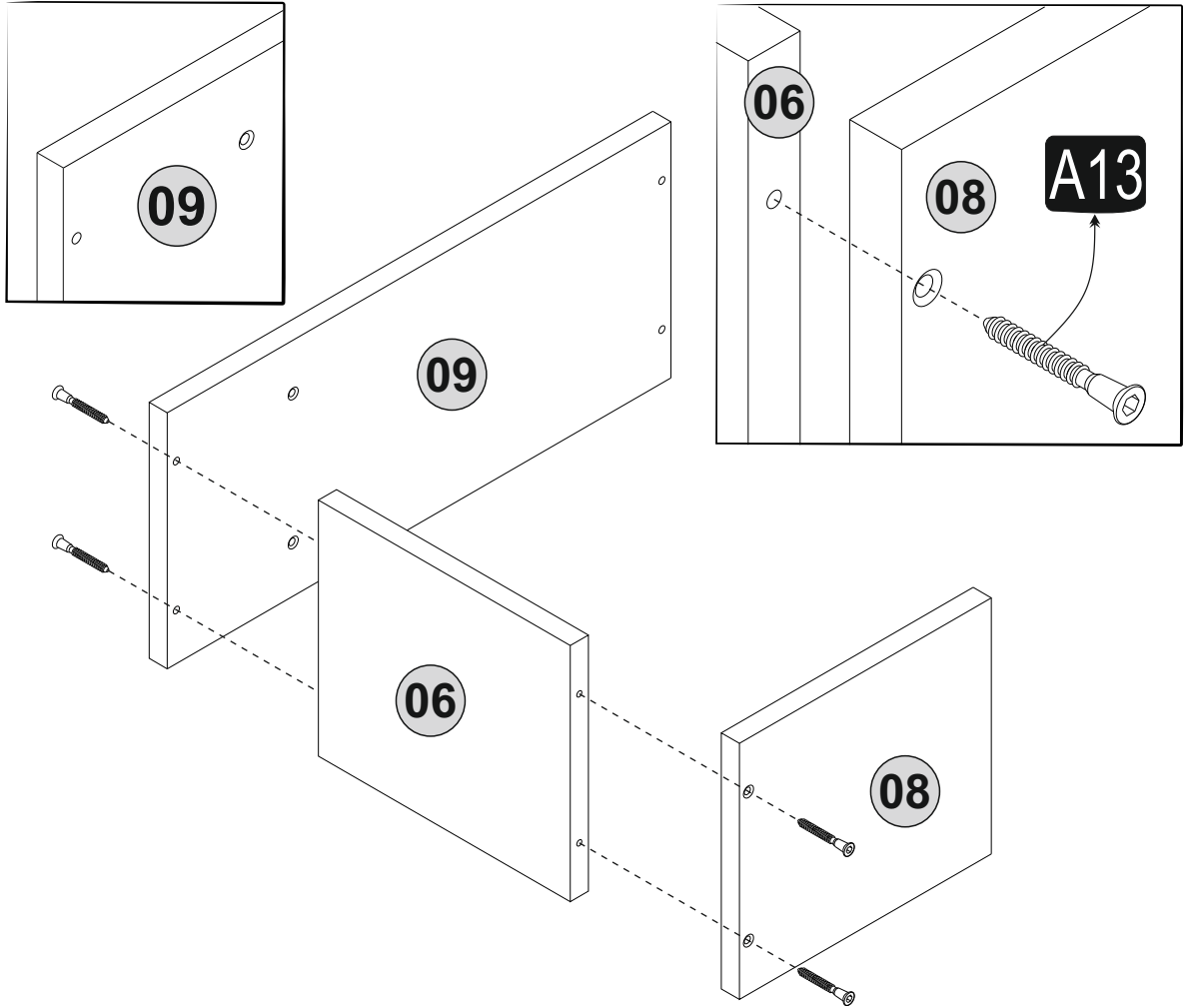


ACCESSORY LIST

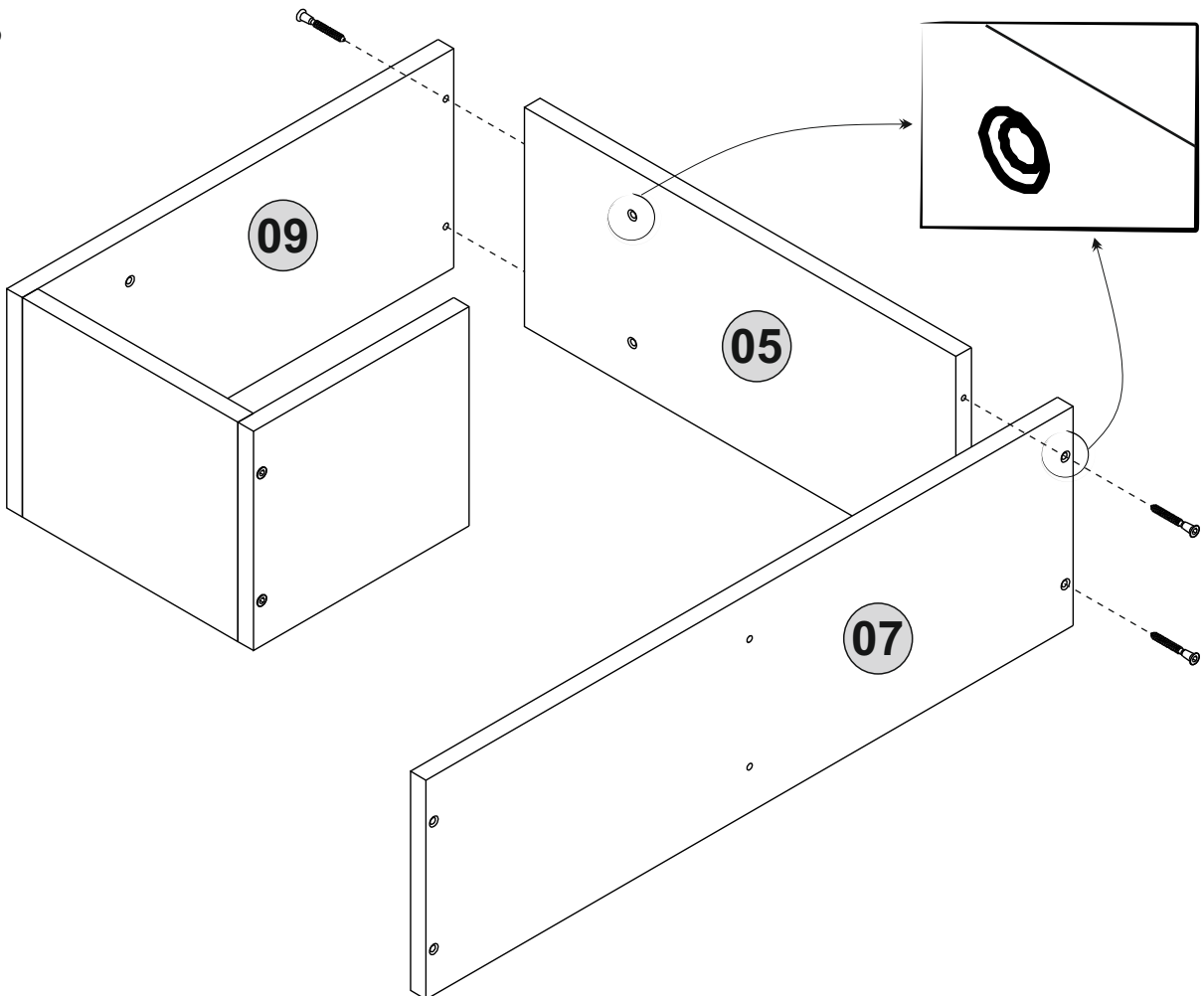
A13 50mm  40x	A12 4 sw  1x	A26 Allen  1x	A08 Pabuç  6x	Y03 Ctpb  6x
A87 15x90x30  1x	A17 4x50  1x	A16 DbØ8  1x	A18 3,5x18  2x	A06 18mm  40x



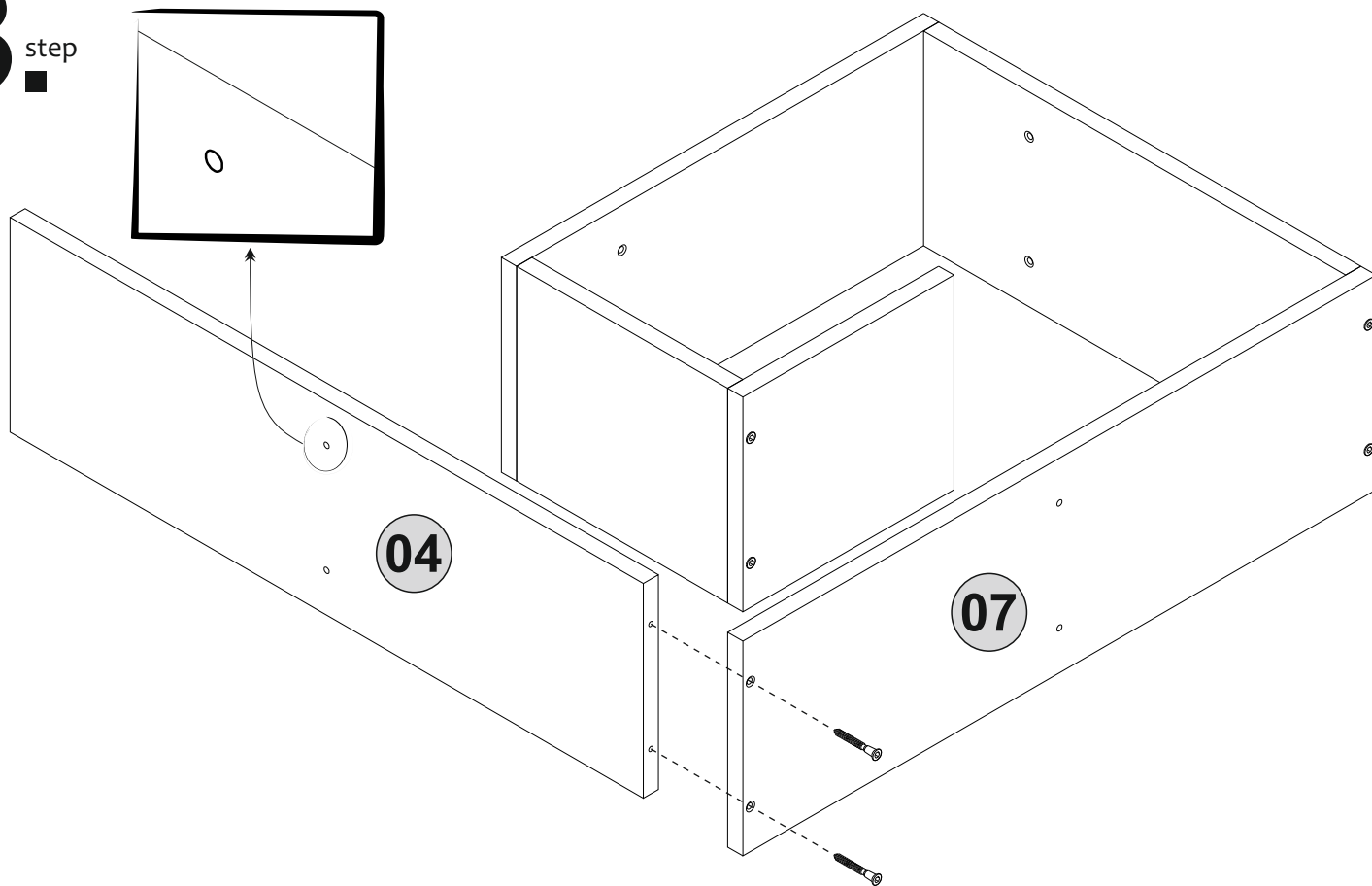
1. step



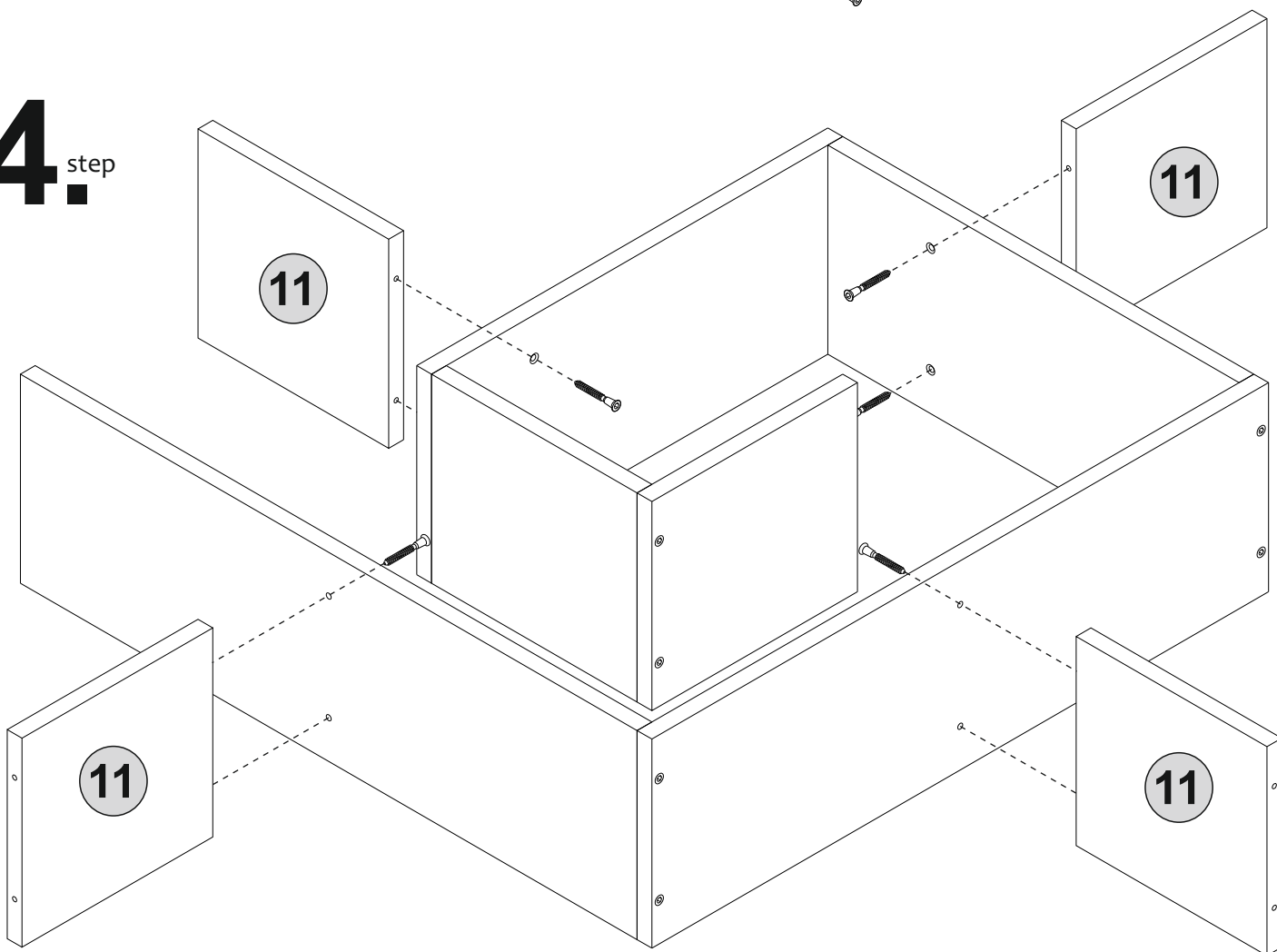
2. step



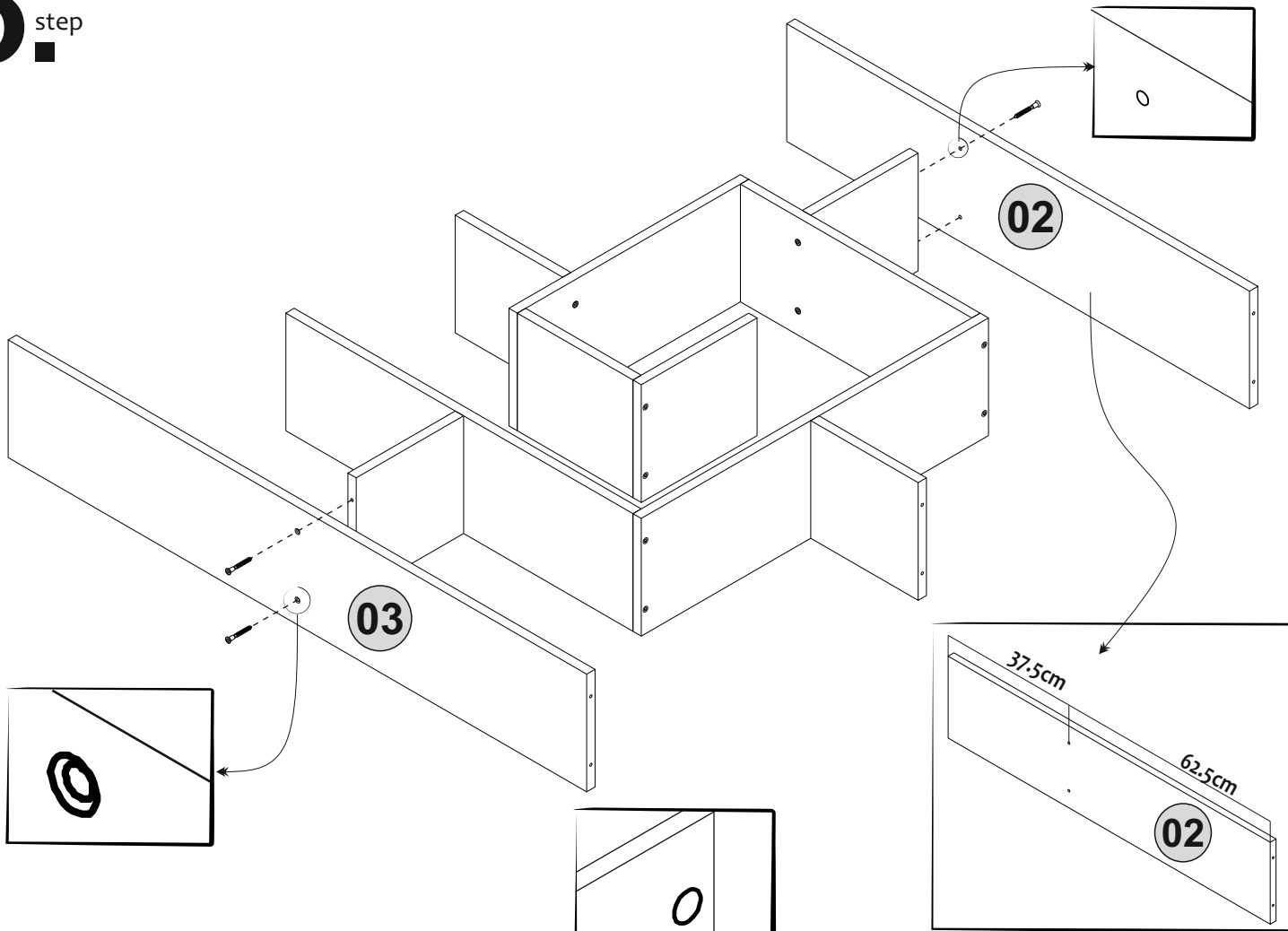
3. step



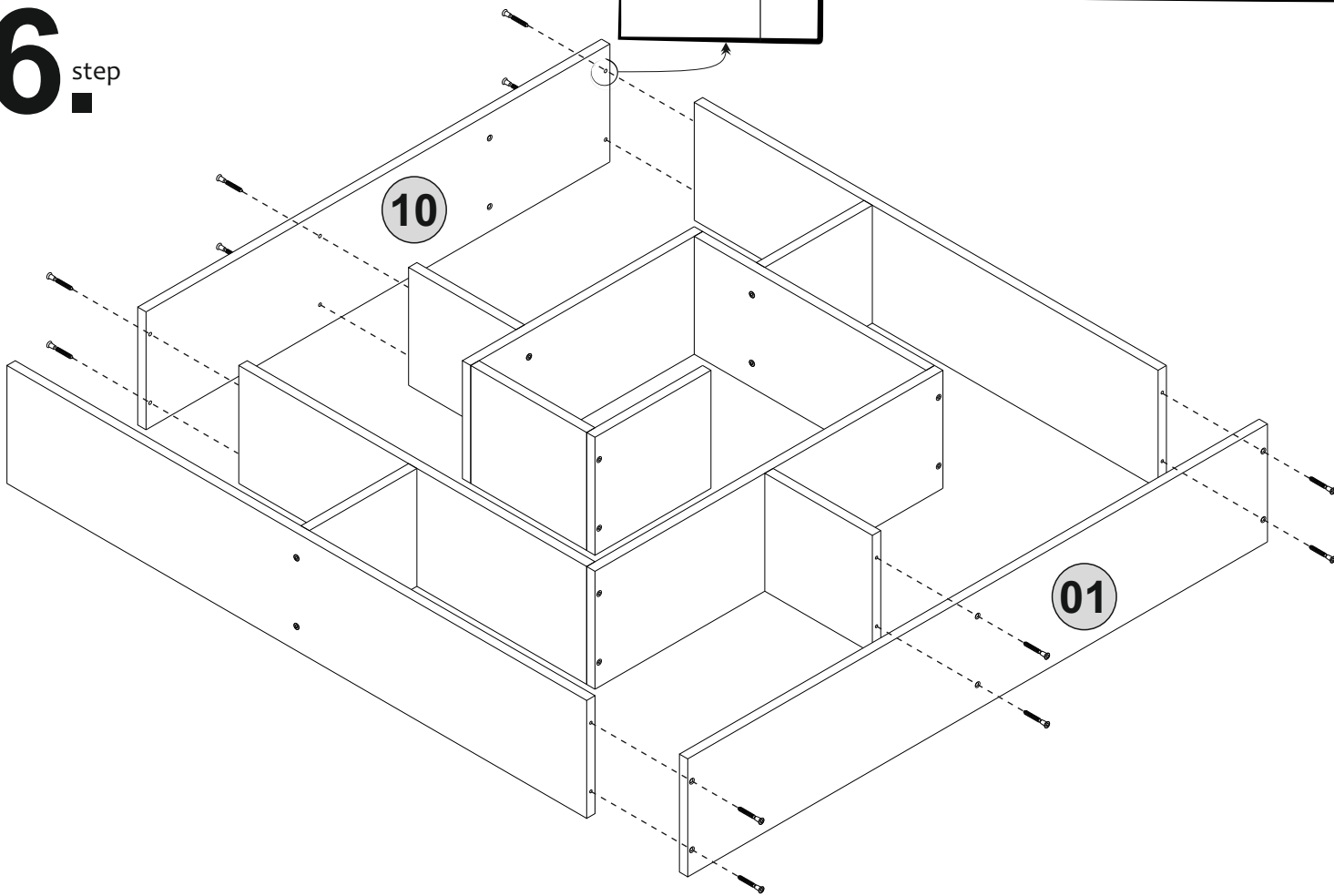
4. step



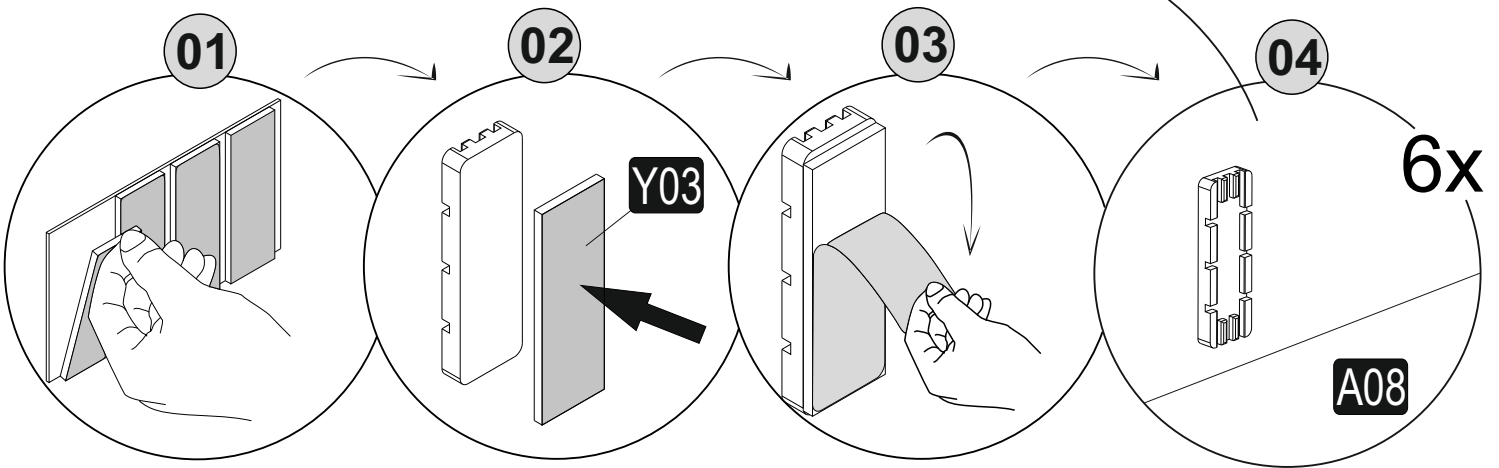
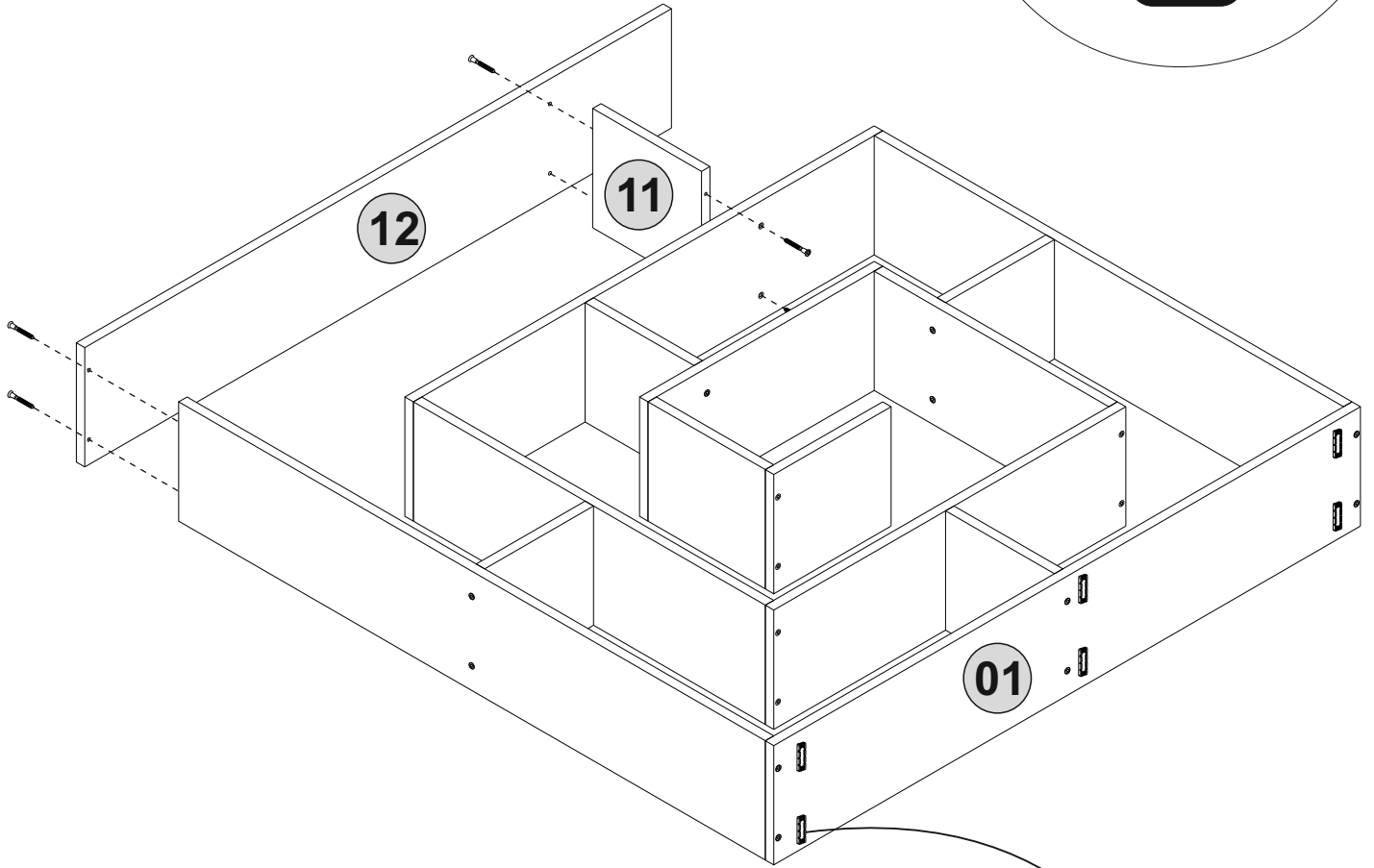
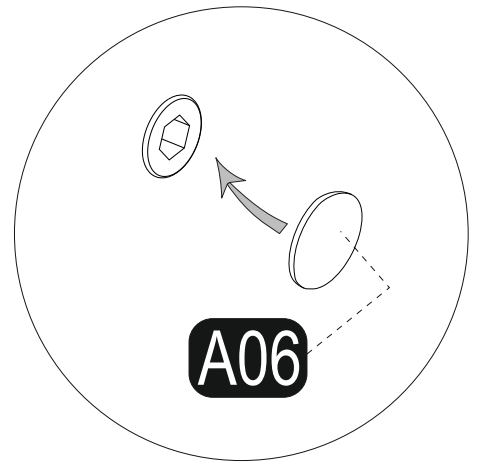
5. step



6. step



7^{step}



8 step

