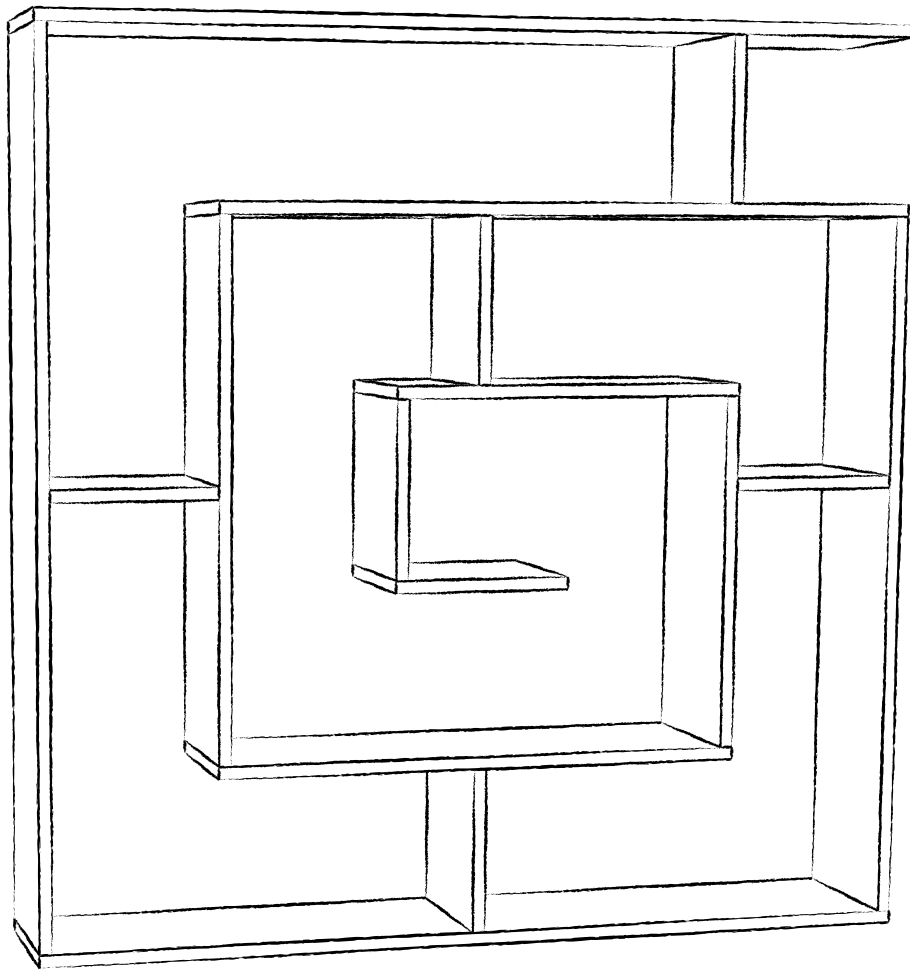
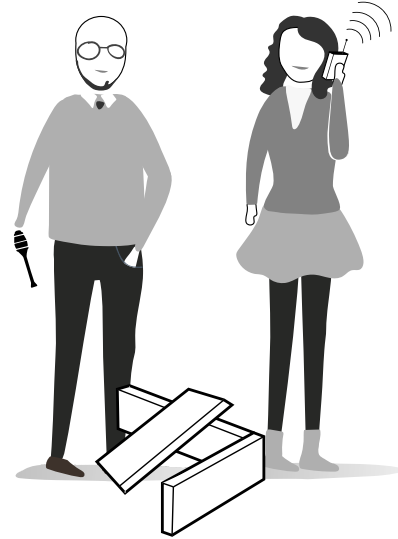
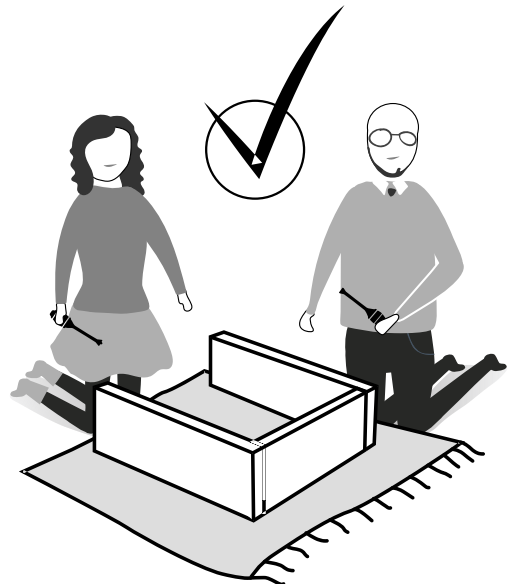
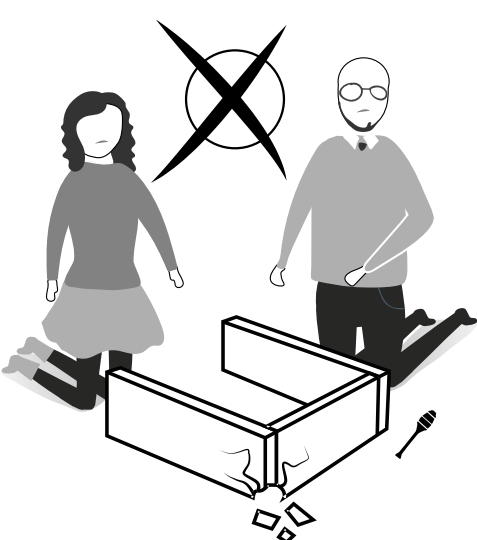
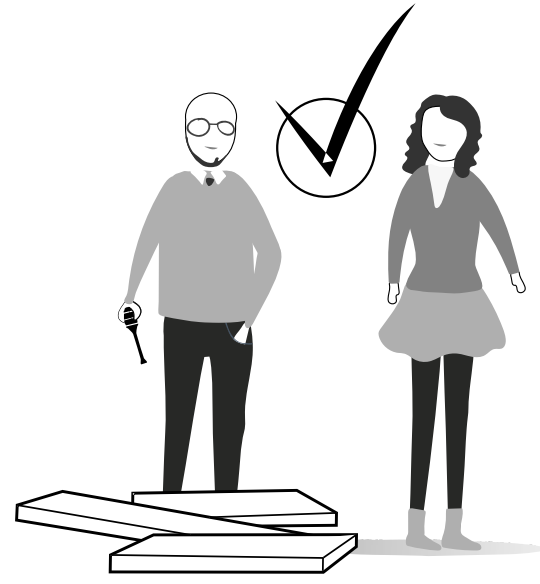
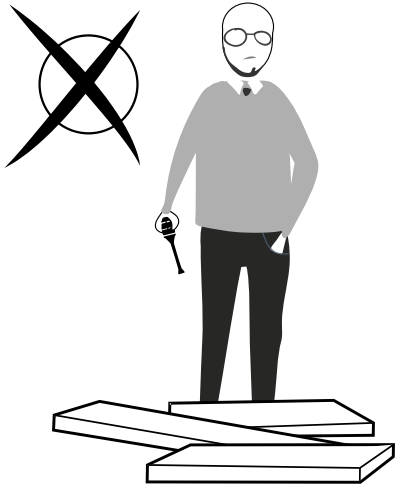


GP037-0022,1





# ATTENTION !!

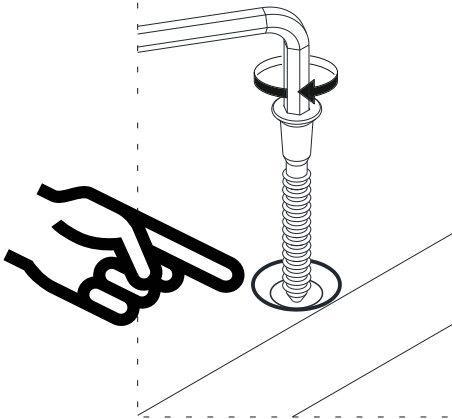
Our products are screw system. Before you proceed with installation try to understand the following



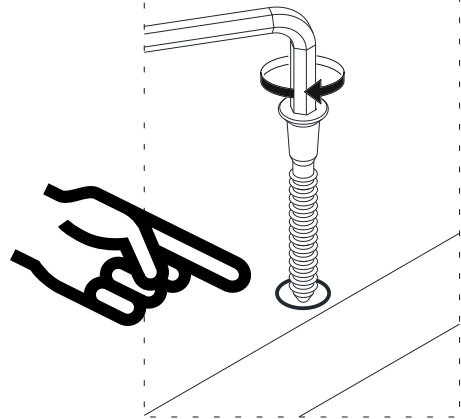
**A13**



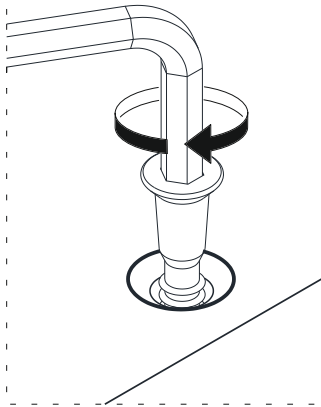
**1**



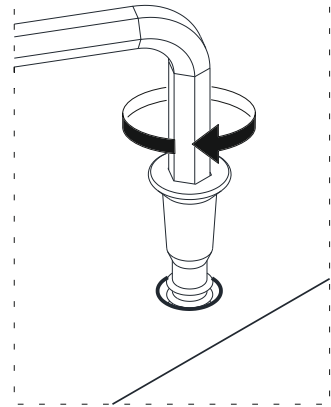
**1**



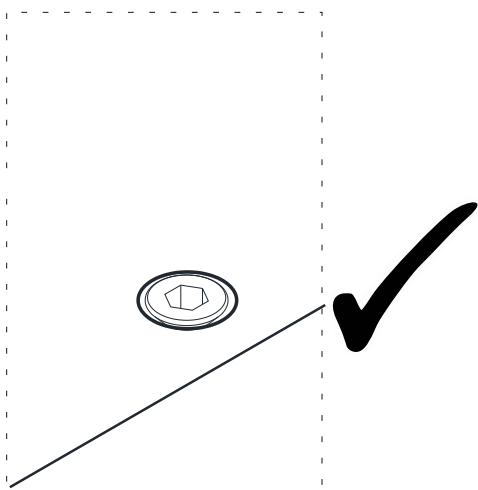
**2**



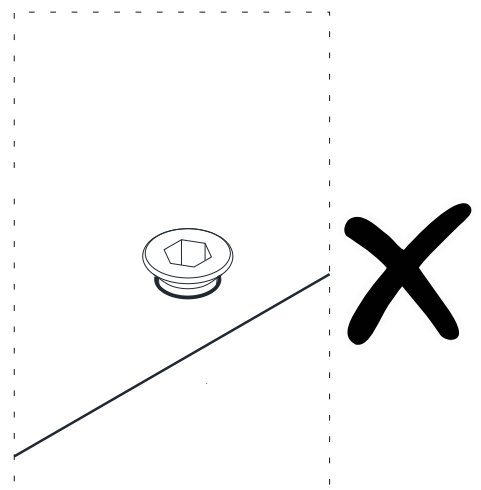
**2**



**3**




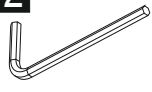
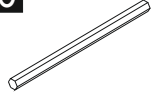
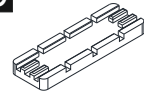
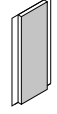
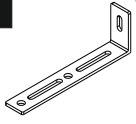
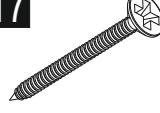



**3**

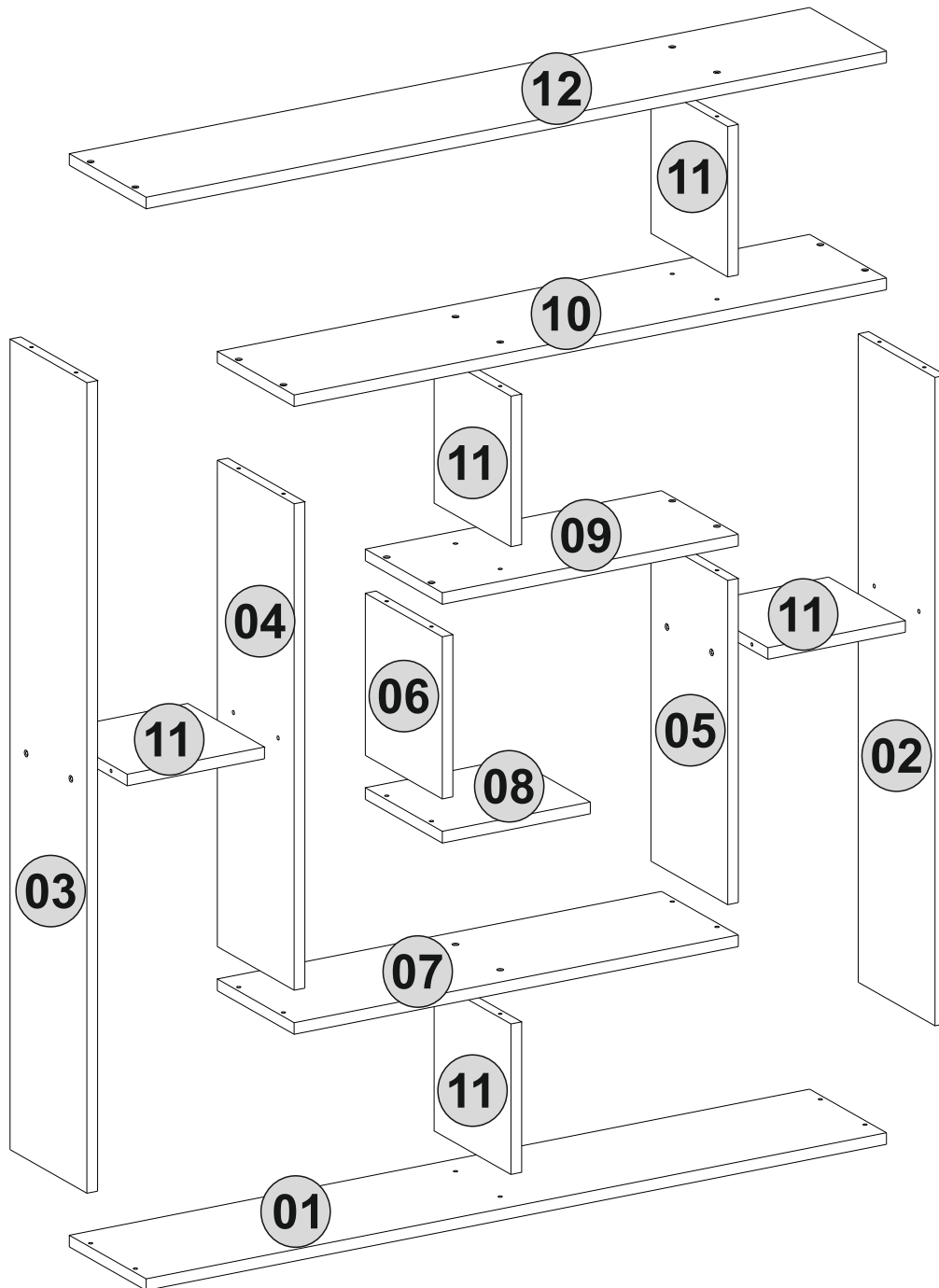


Follow the installation steps in the order as shown.  
Position the parts as shown in the installation guide steps.

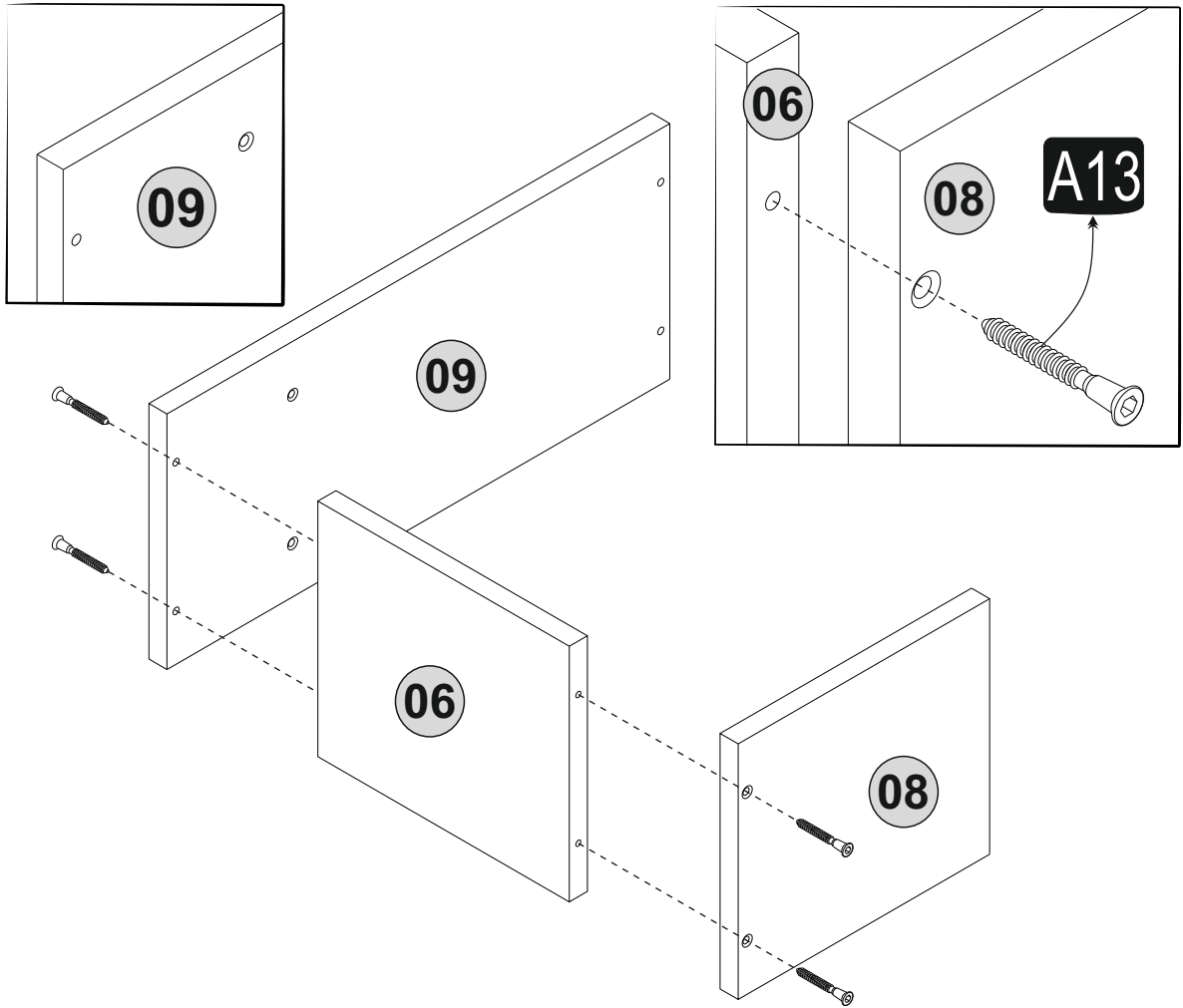


# ACCESSORY LIST

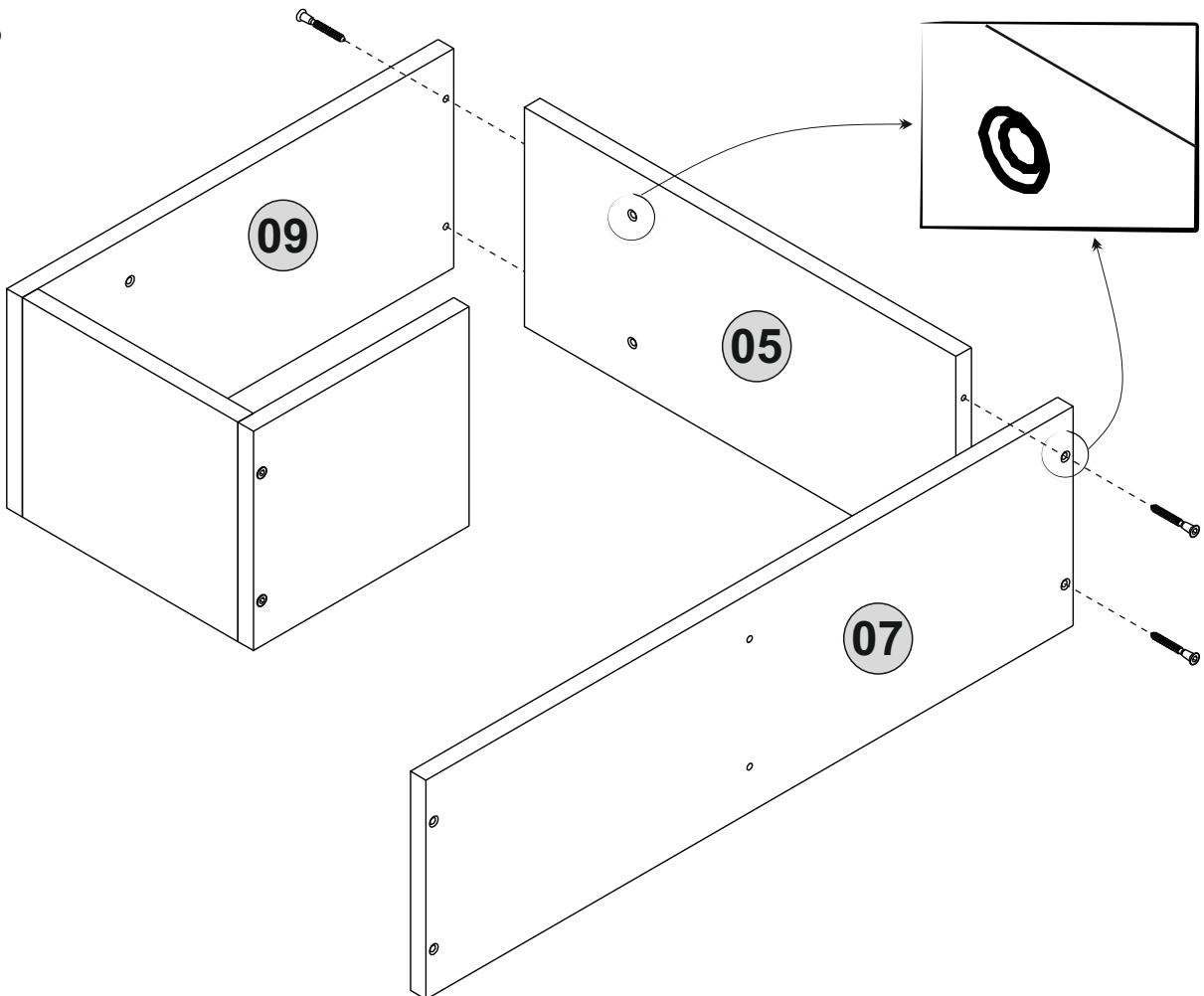
<b>A13</b> 50mm  40x	<b>A12</b> 4 sw  1x	<b>A26</b> Allen  1x	<b>A08</b> Pabuç  6x	<b>Y03</b> Ctpb  6x
<b>A87</b> 15x90x30  1x	<b>A17</b> 4x50  1x	<b>A16</b> DbØ8  1x	<b>A18</b> 3,5x18  2x	<b>A06</b> 18mm  40x



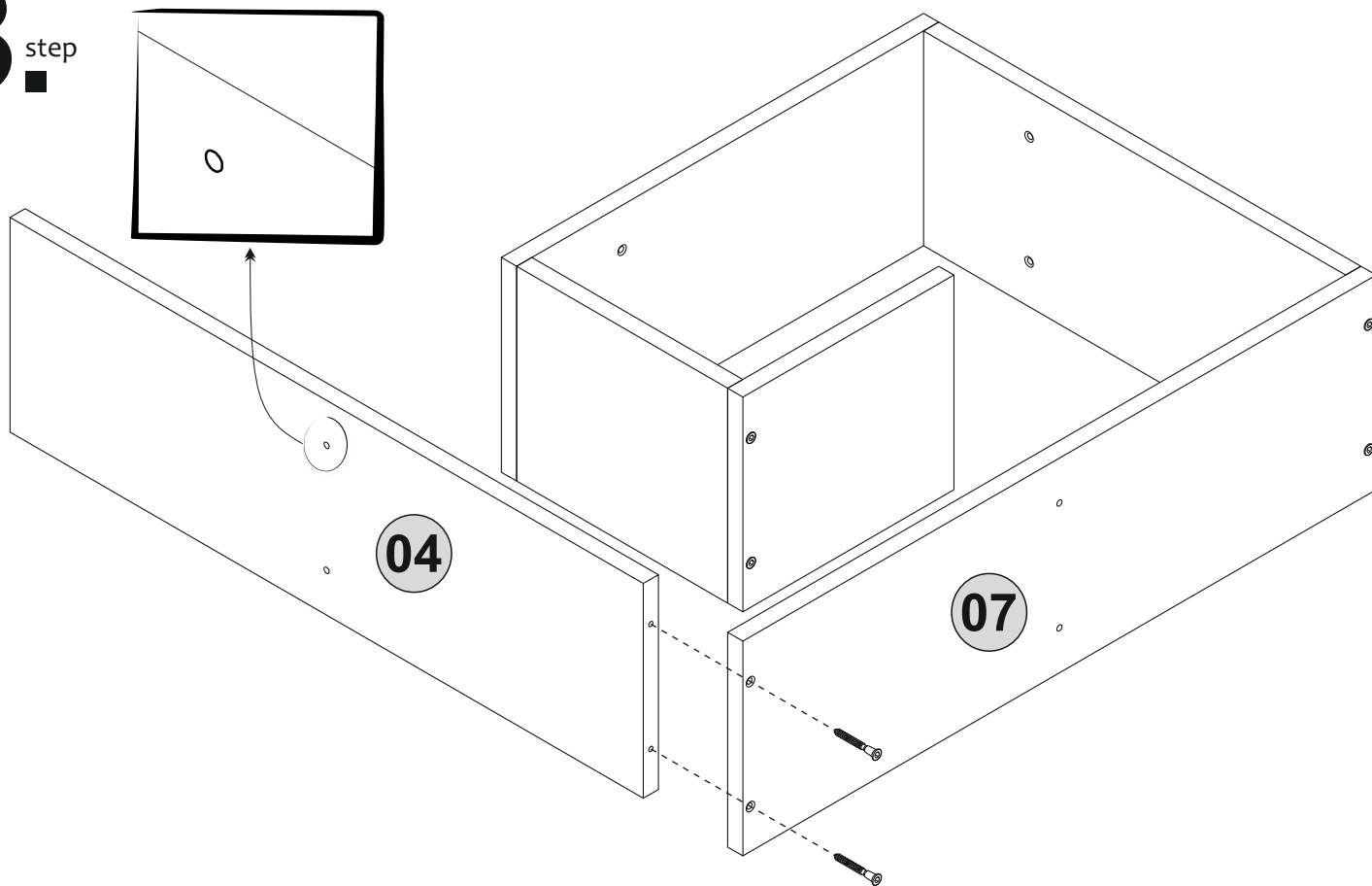
# 1. step



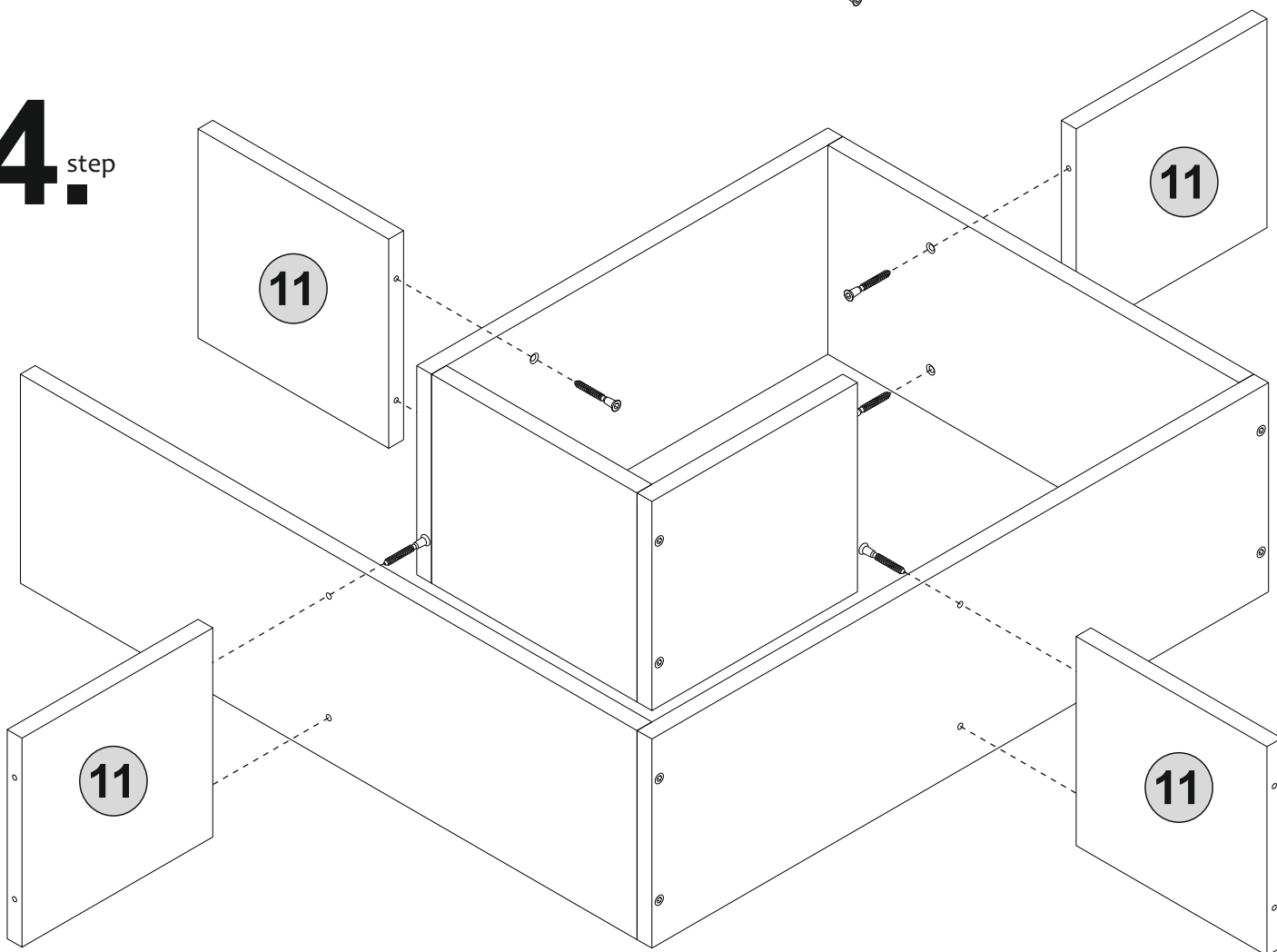
# 2. step



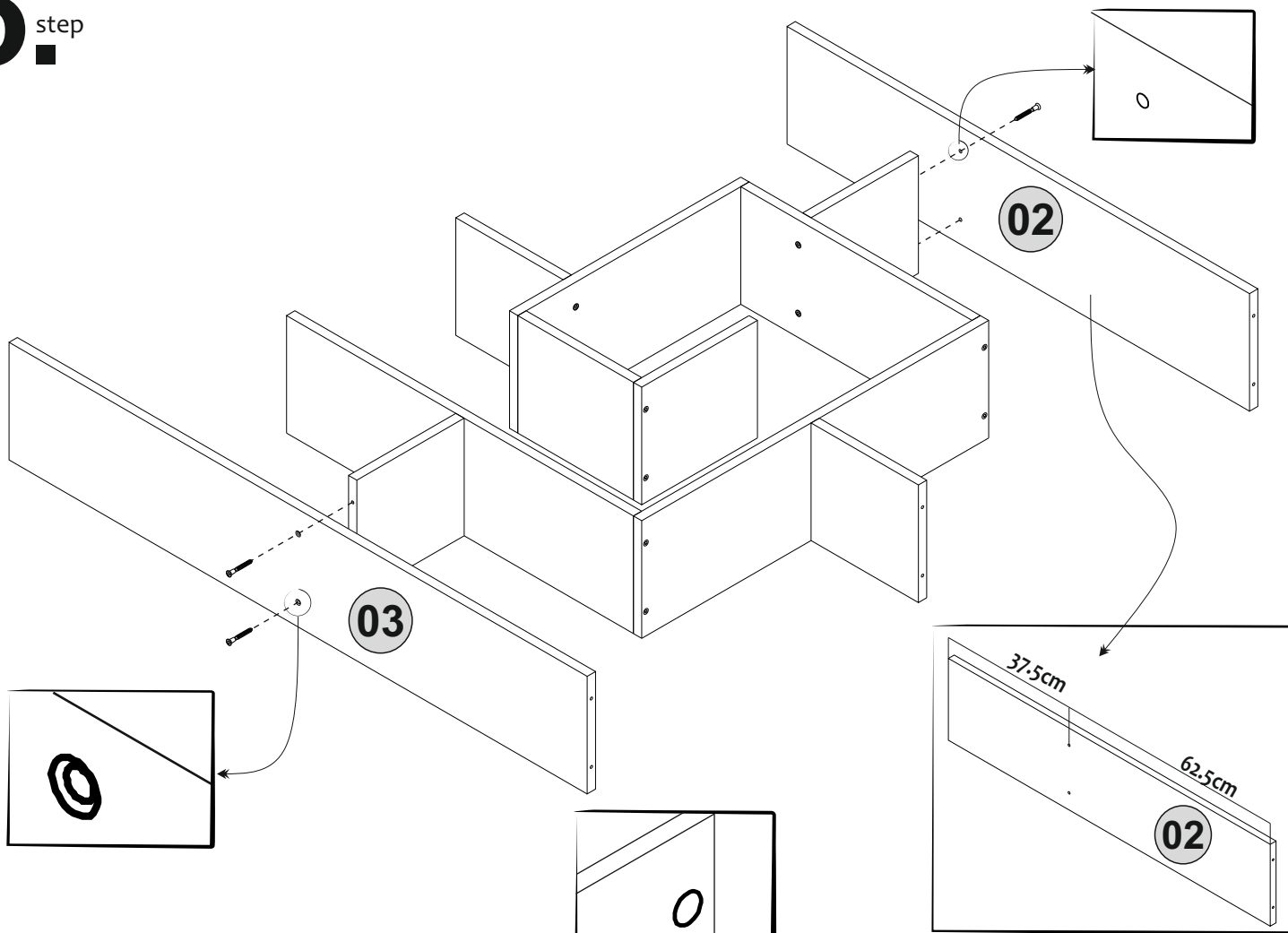
**3.** step



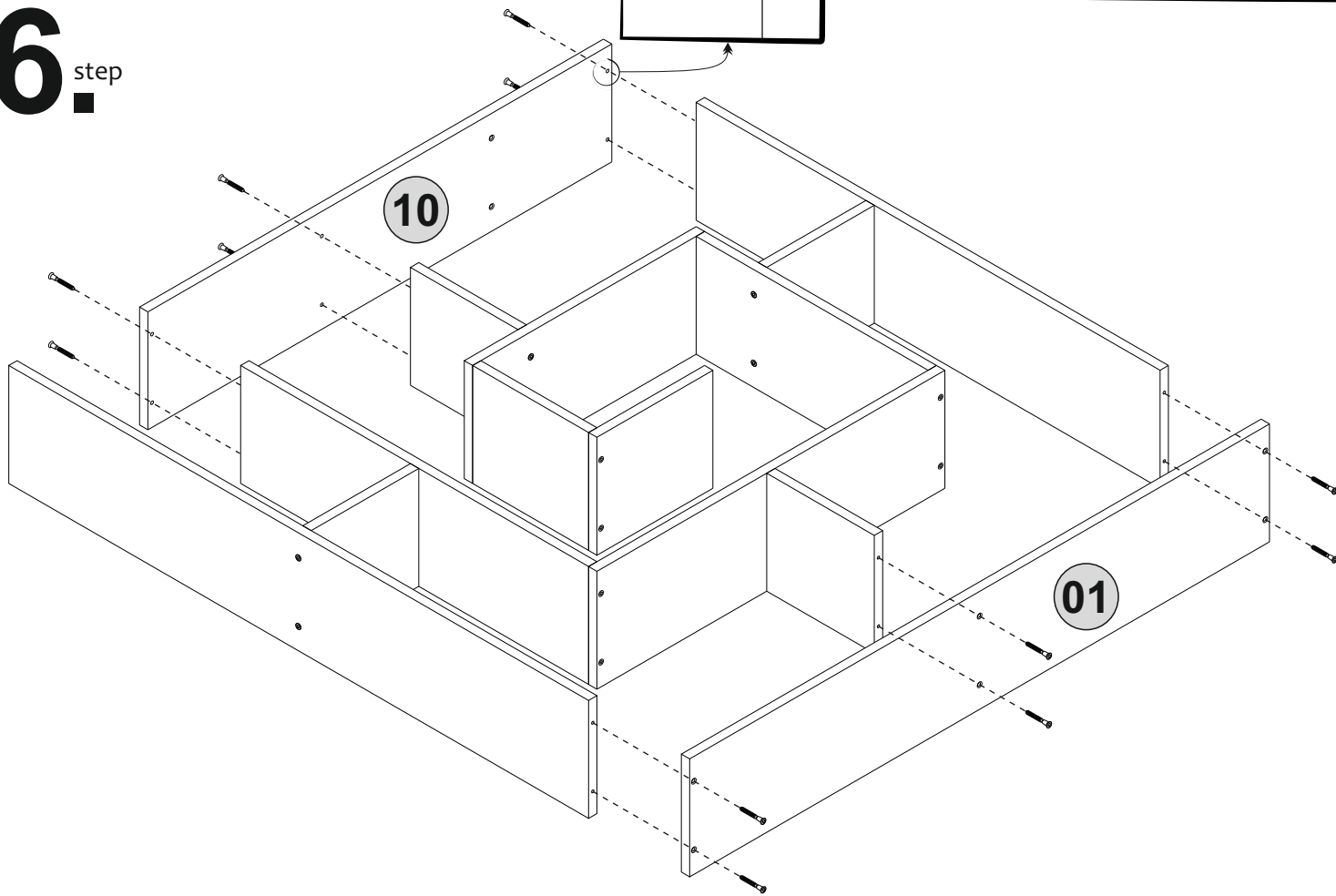
**4.** step



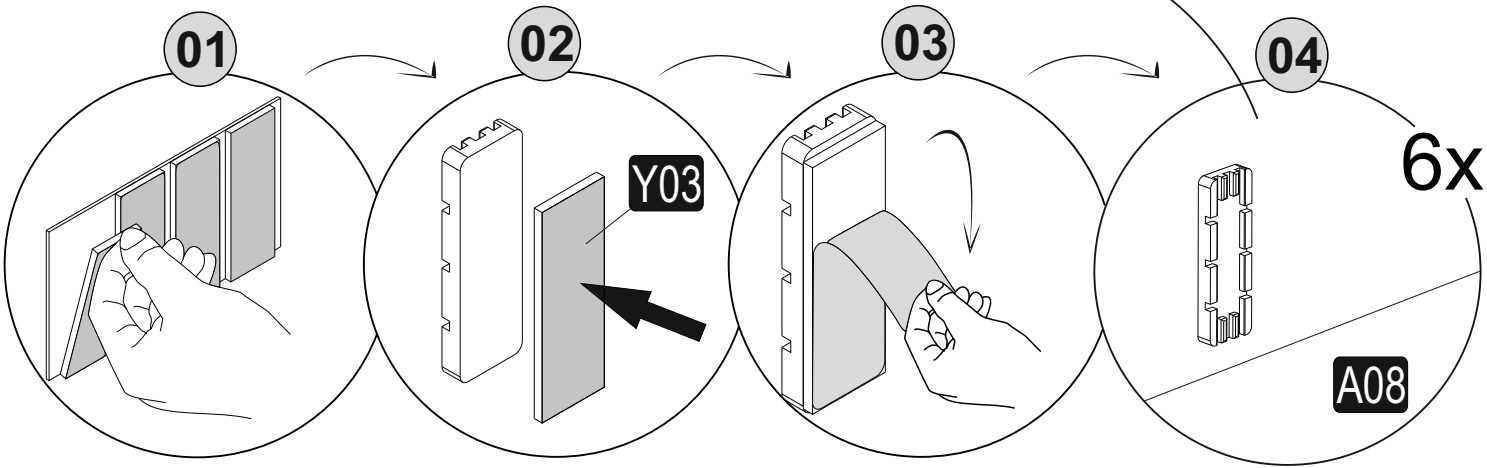
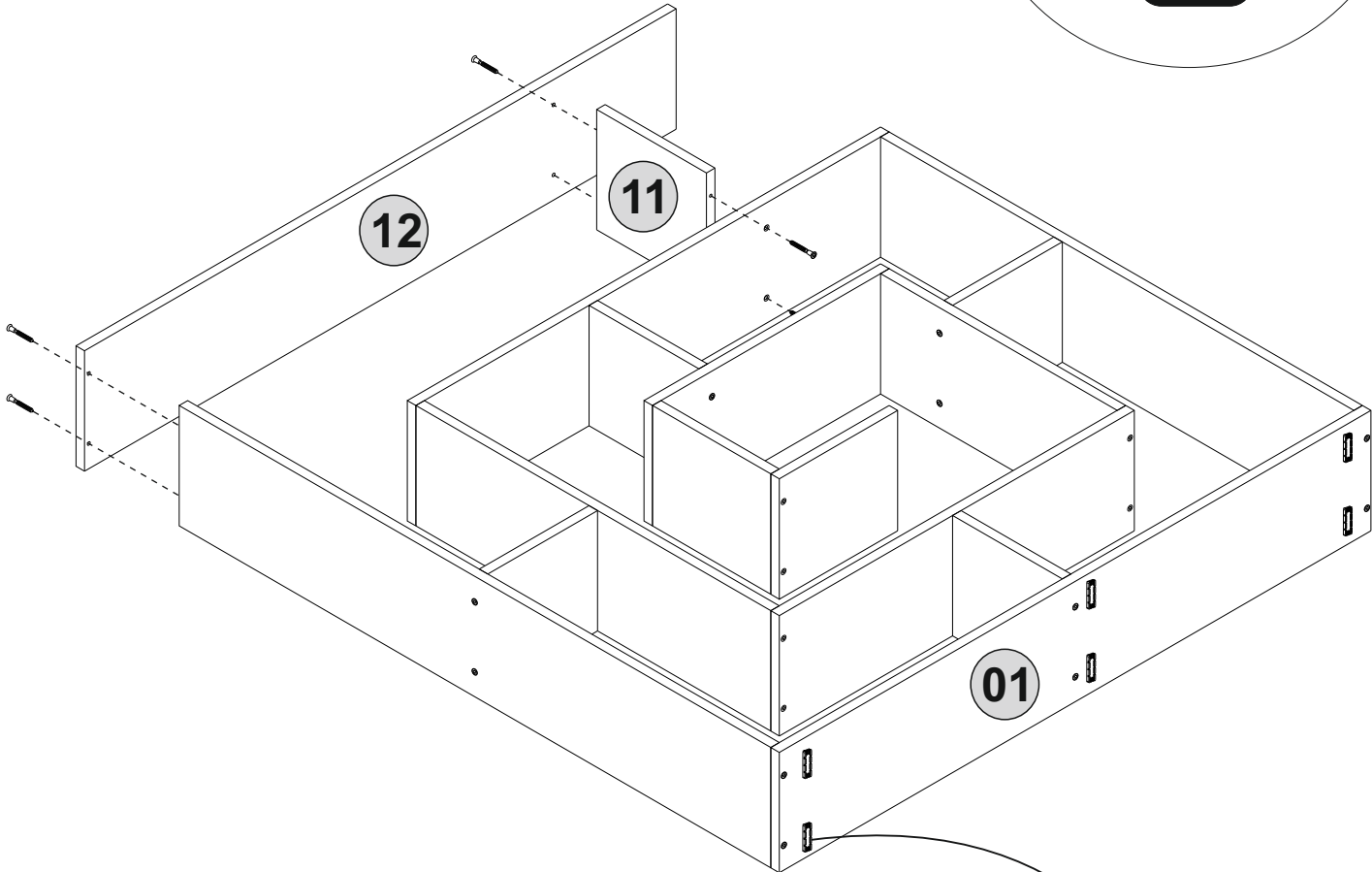
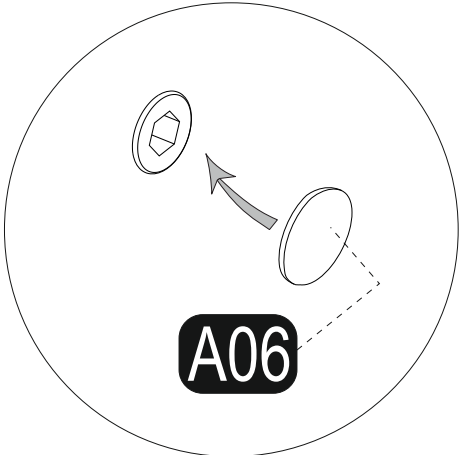
# 5. step



# 6. step



# 7<sup>step</sup>





# 8 step

