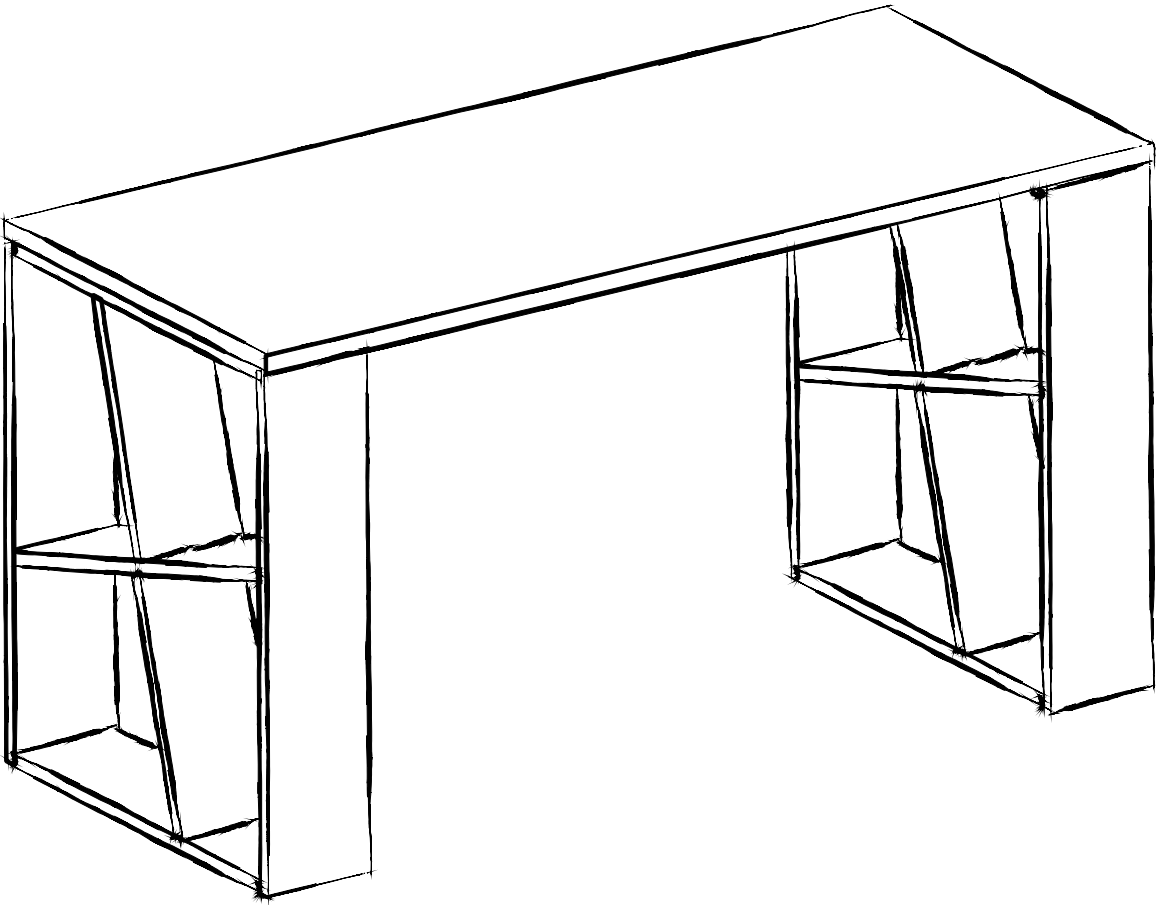
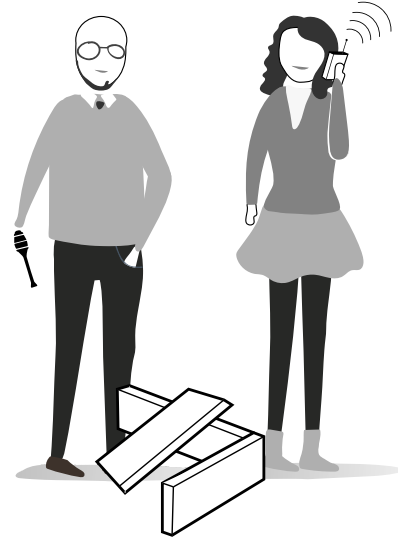
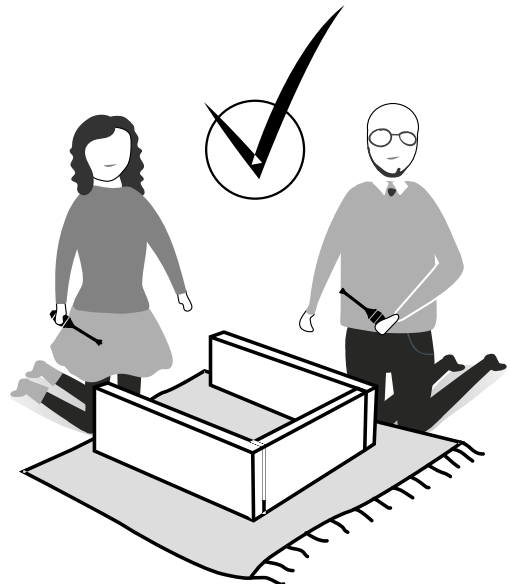
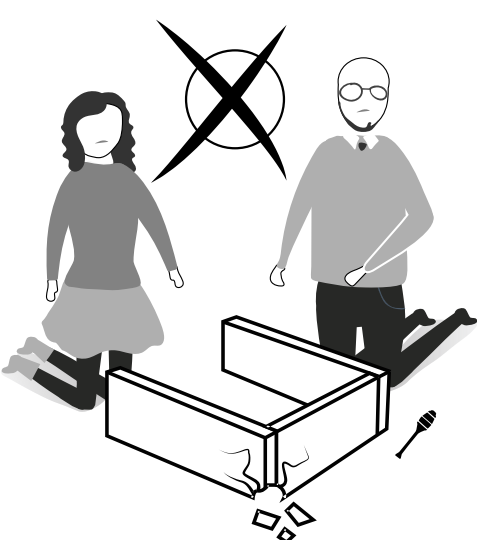
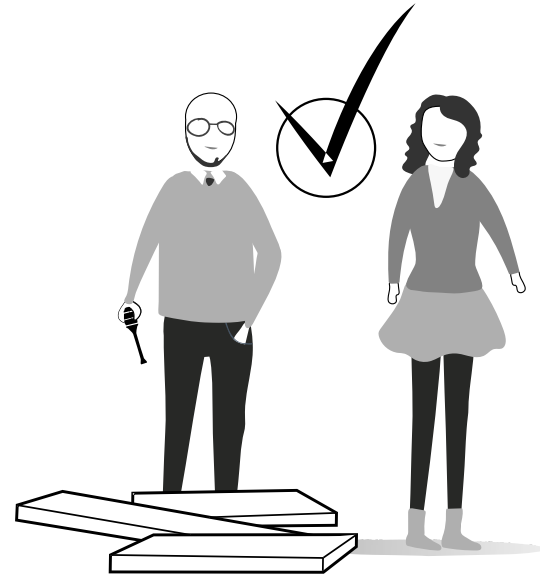
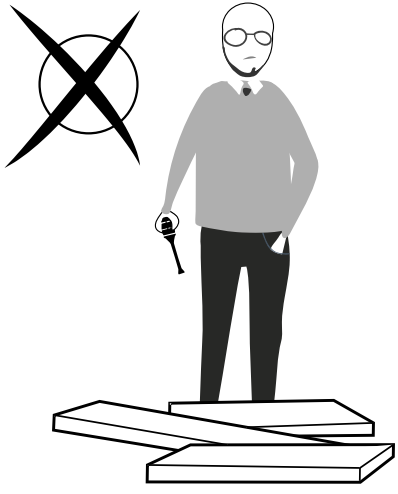


GP037-0019,2

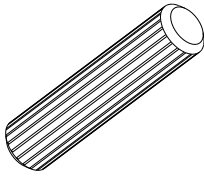




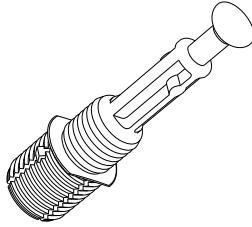
ATTENTION !!

Minifix is the main connection material used in ada products.
Before starting assembly, please check the drawings below.

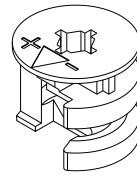
A04



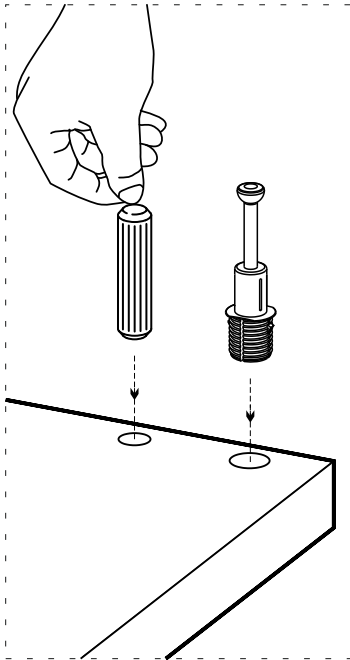
A23



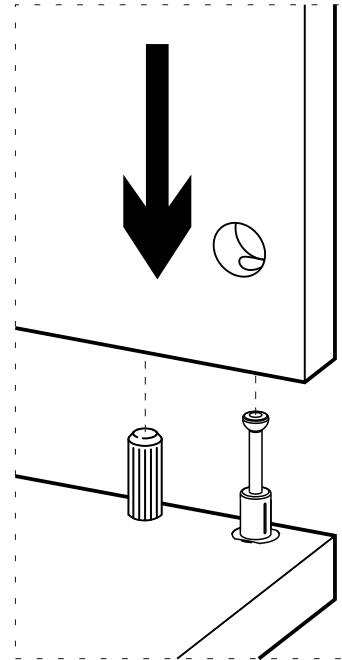
A22



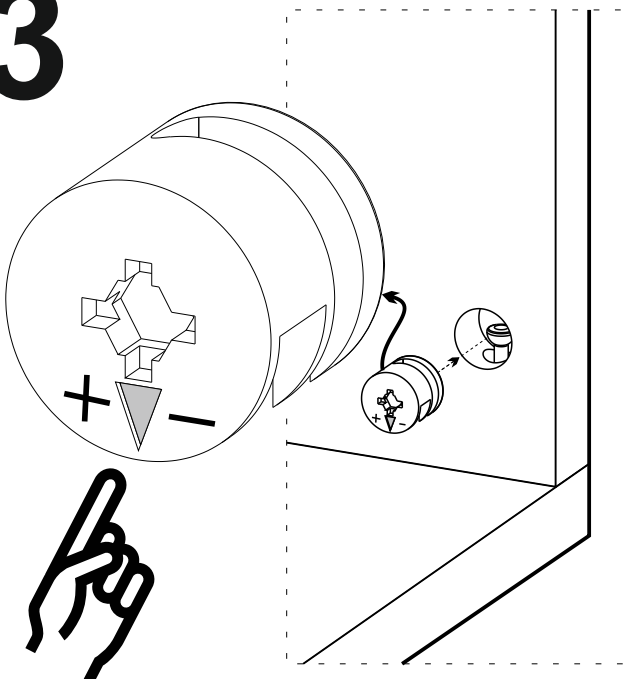
1



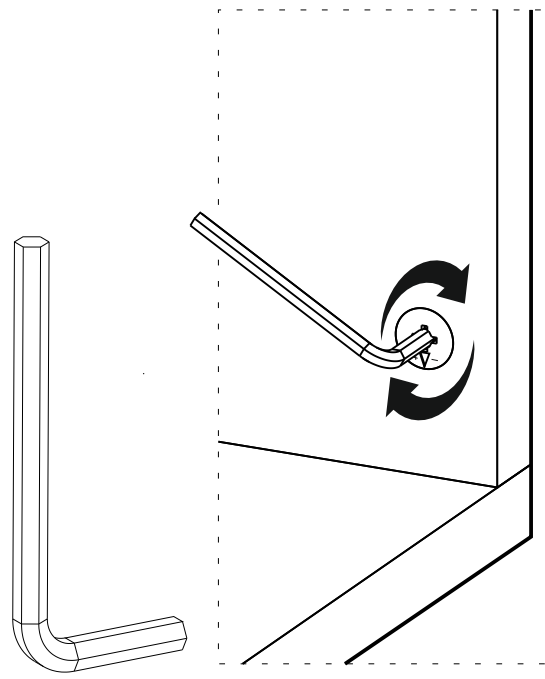
2



3



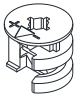
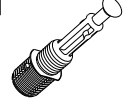
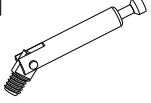
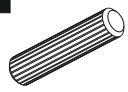

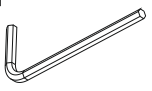
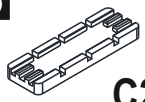


4

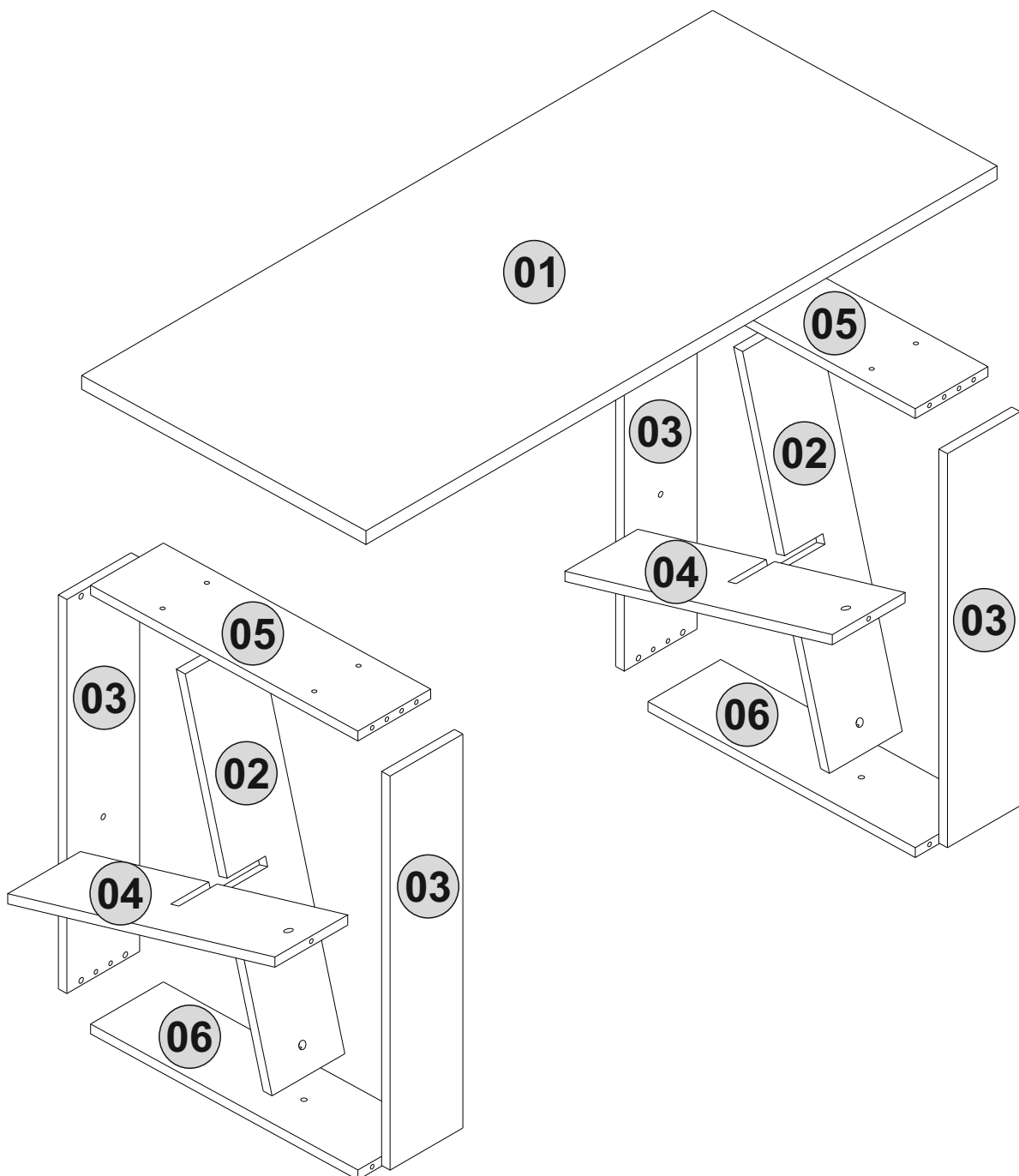


Follow the installation steps in the order as shown.
Position the parts as shown in the installation guide steps.

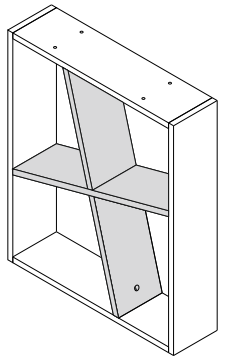
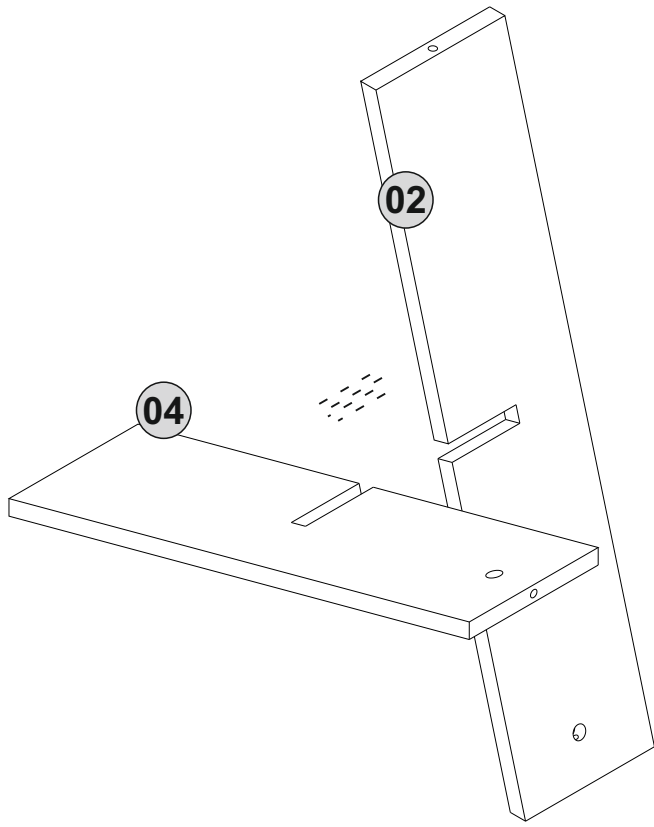


ACCESSORY LIST

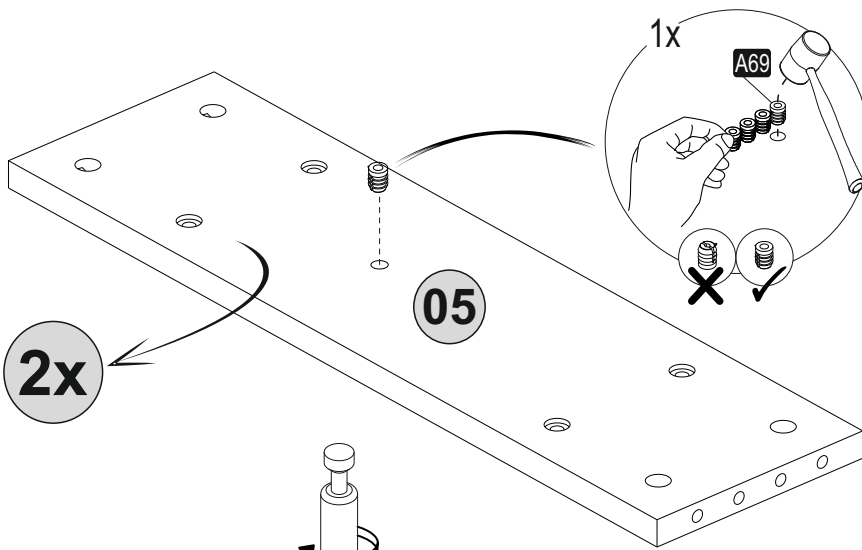
A22 Minifix k18  24x	A23 Minifix M10  16x	A05 Minifix M6  8x	A04 Ø8  16x	B03 25 mm  8x
A12 Allen  1x	A08 5mm  C2-8x	A06 18mm  C2-32x	A69 P.D.  16x	



1. step



2. step

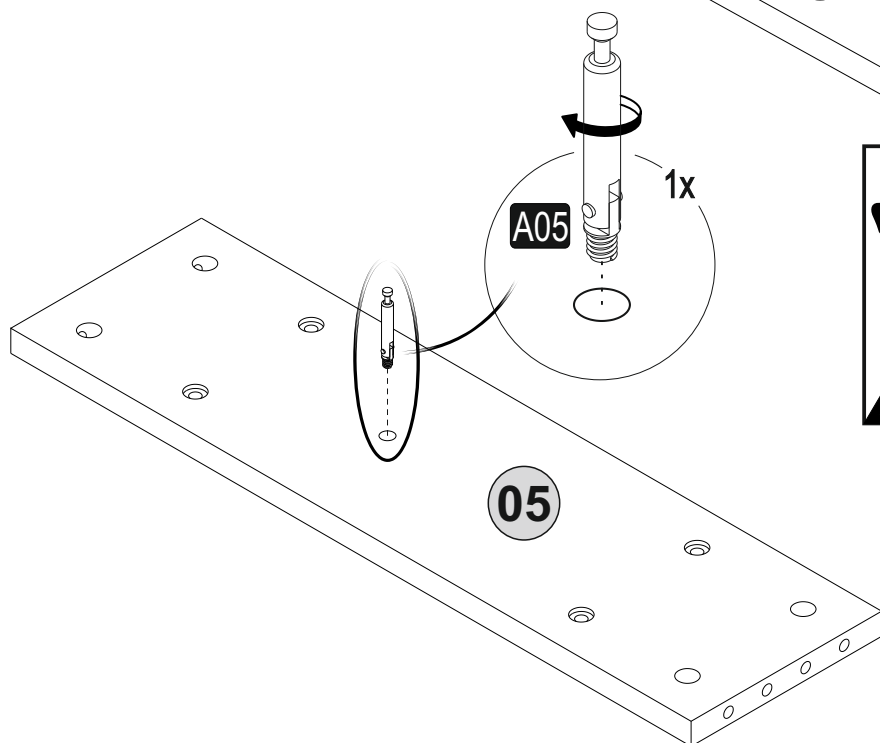
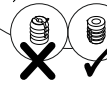


2x

05

1x

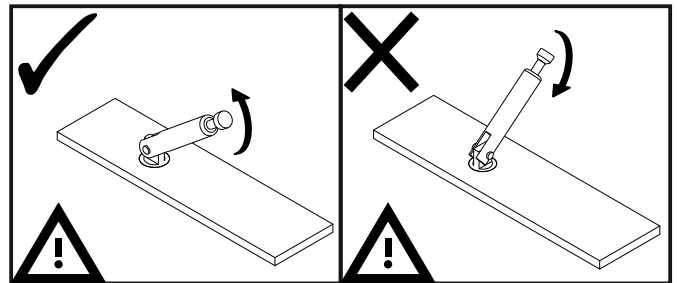
A69



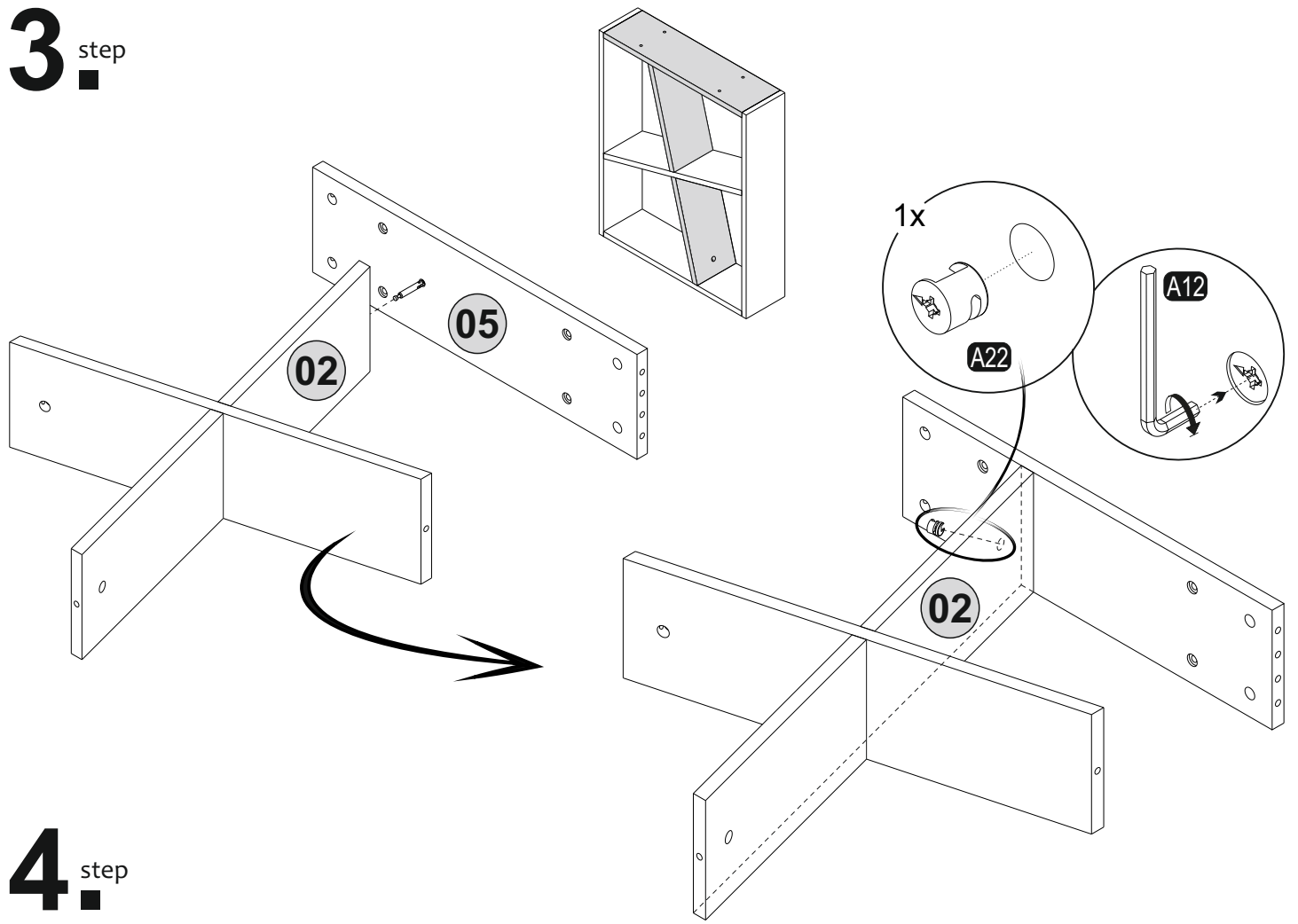
05

1x

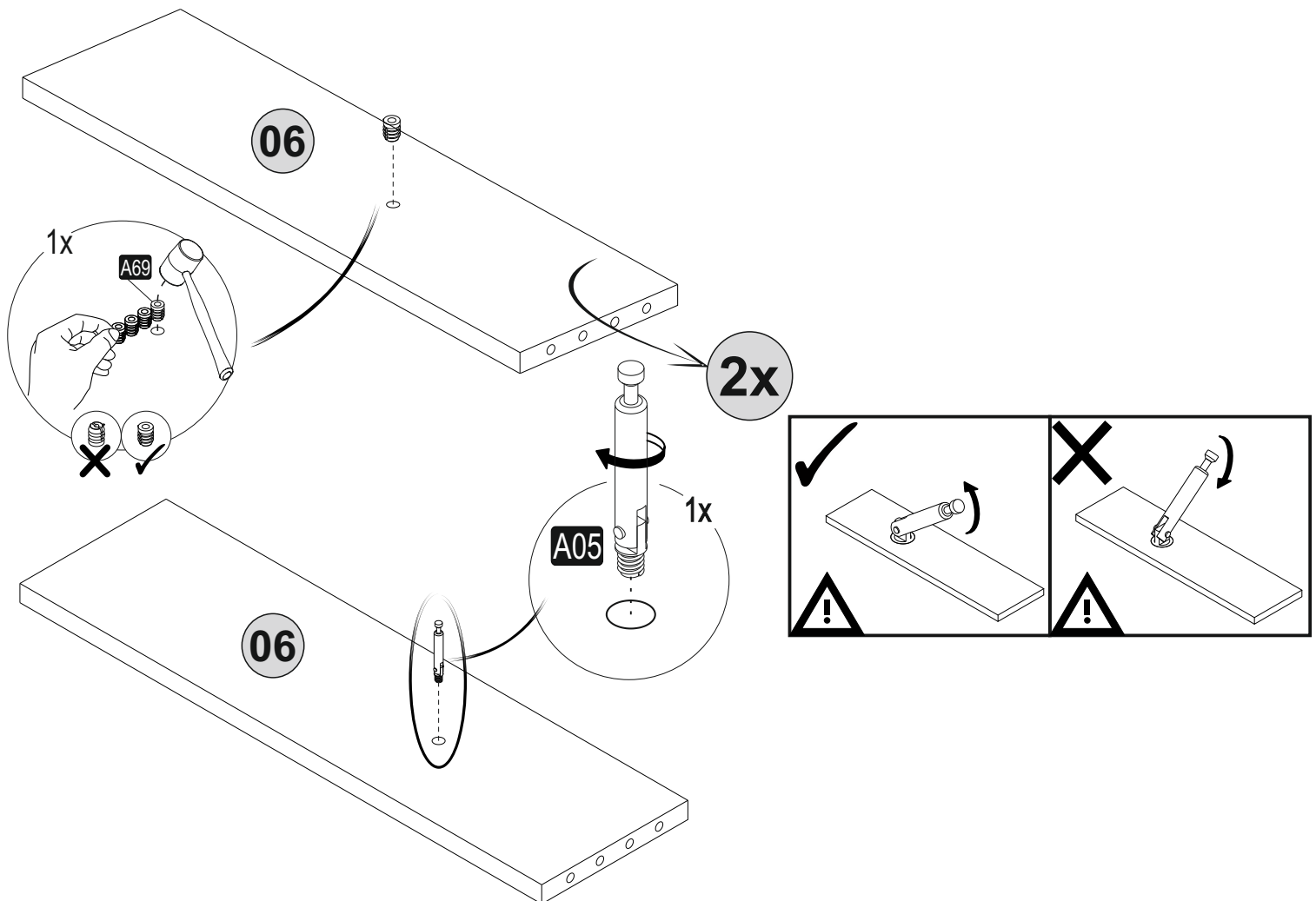
A05



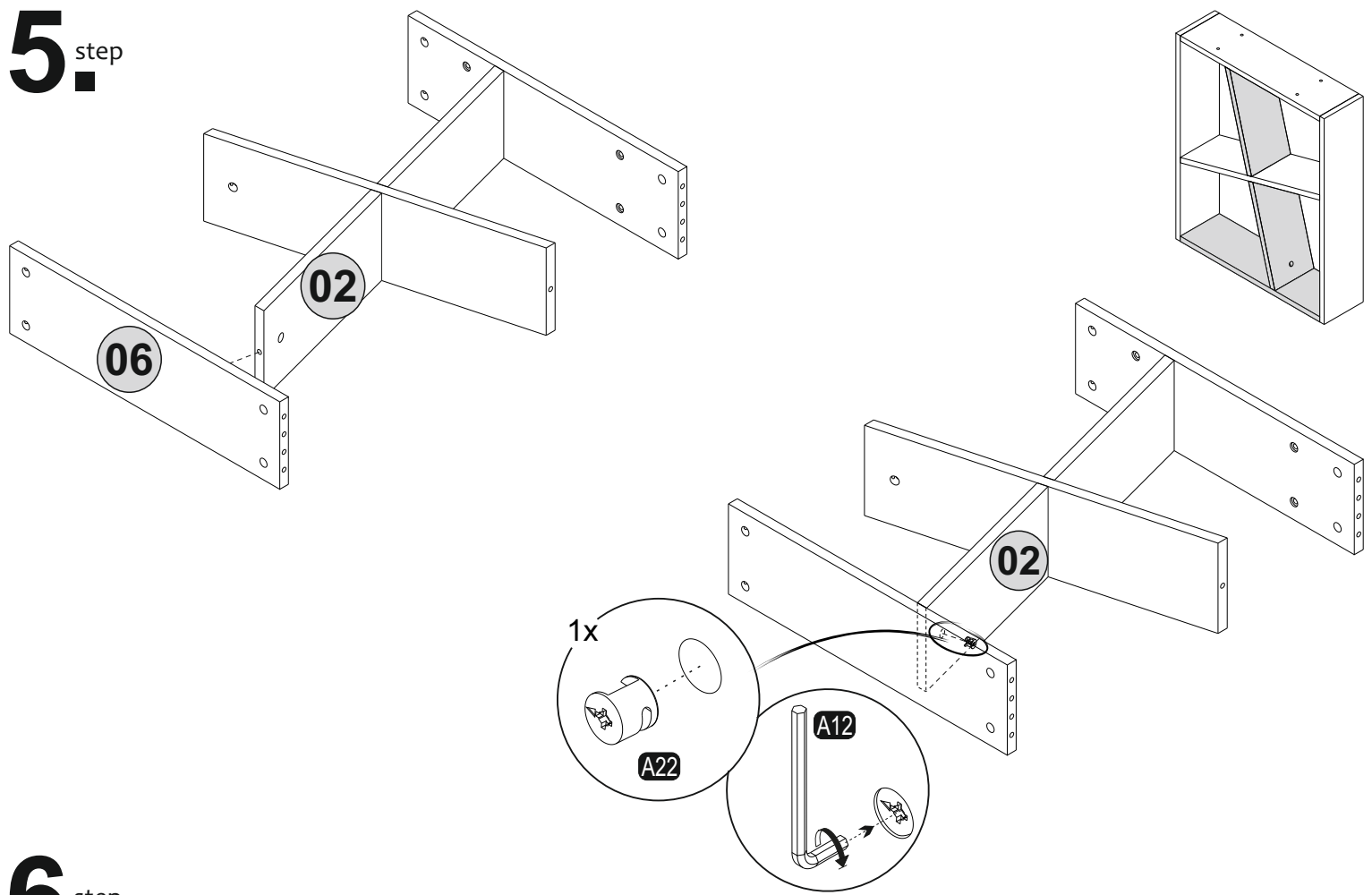
3. step



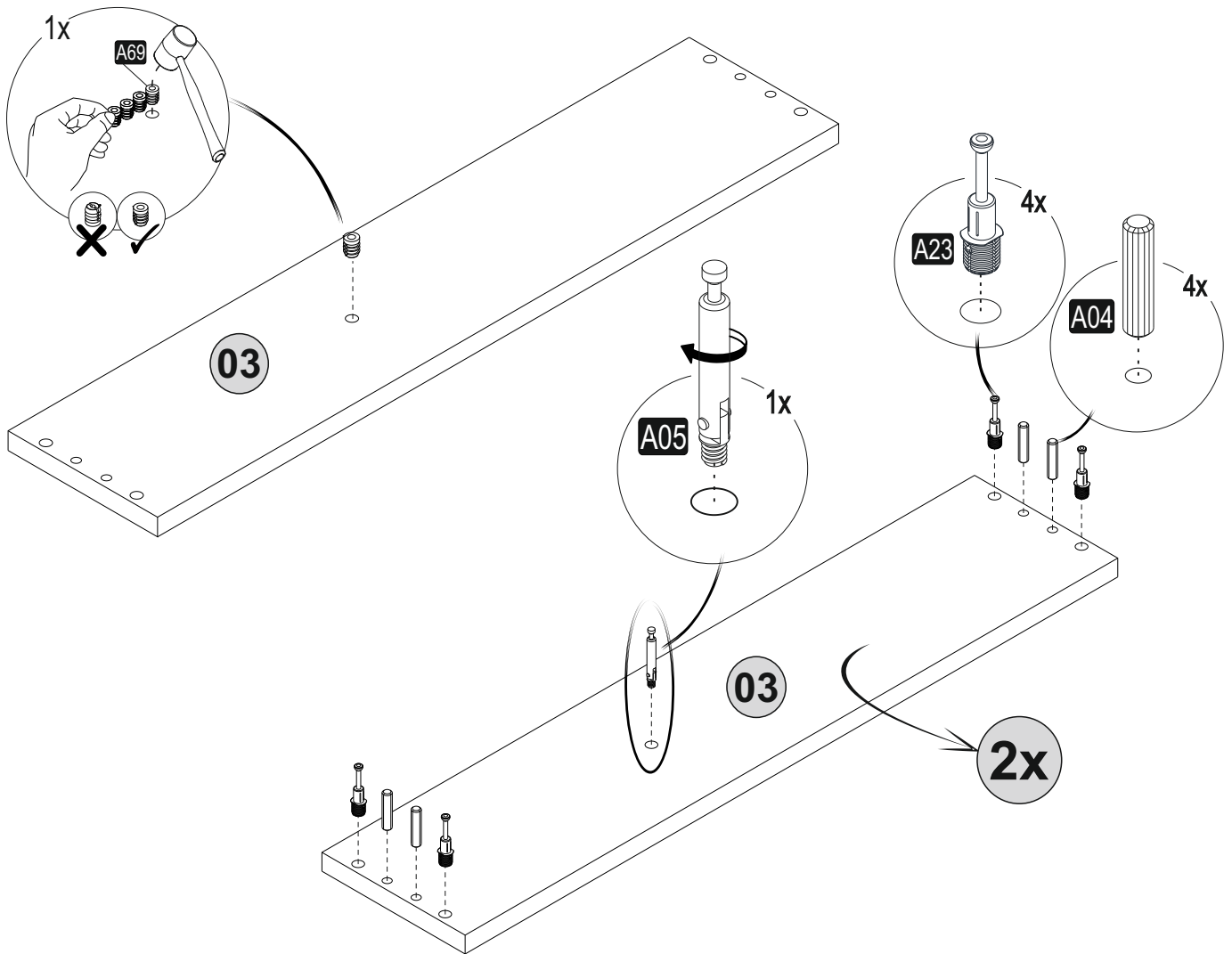
4. step



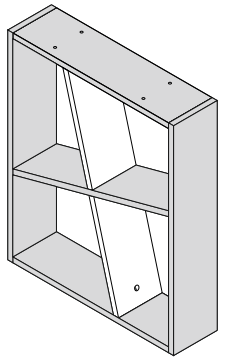
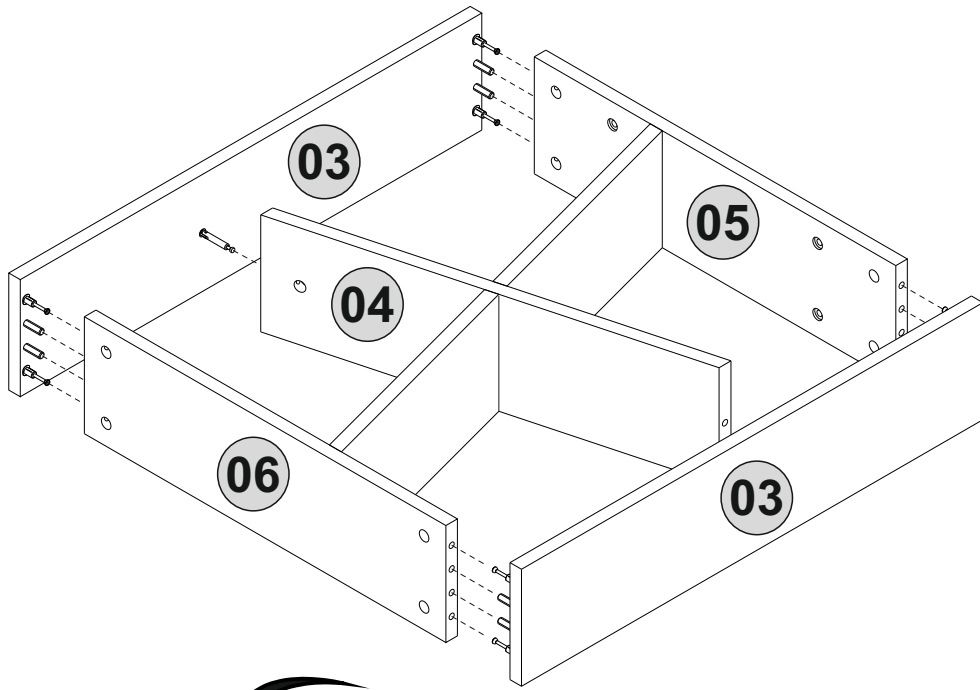
5 step



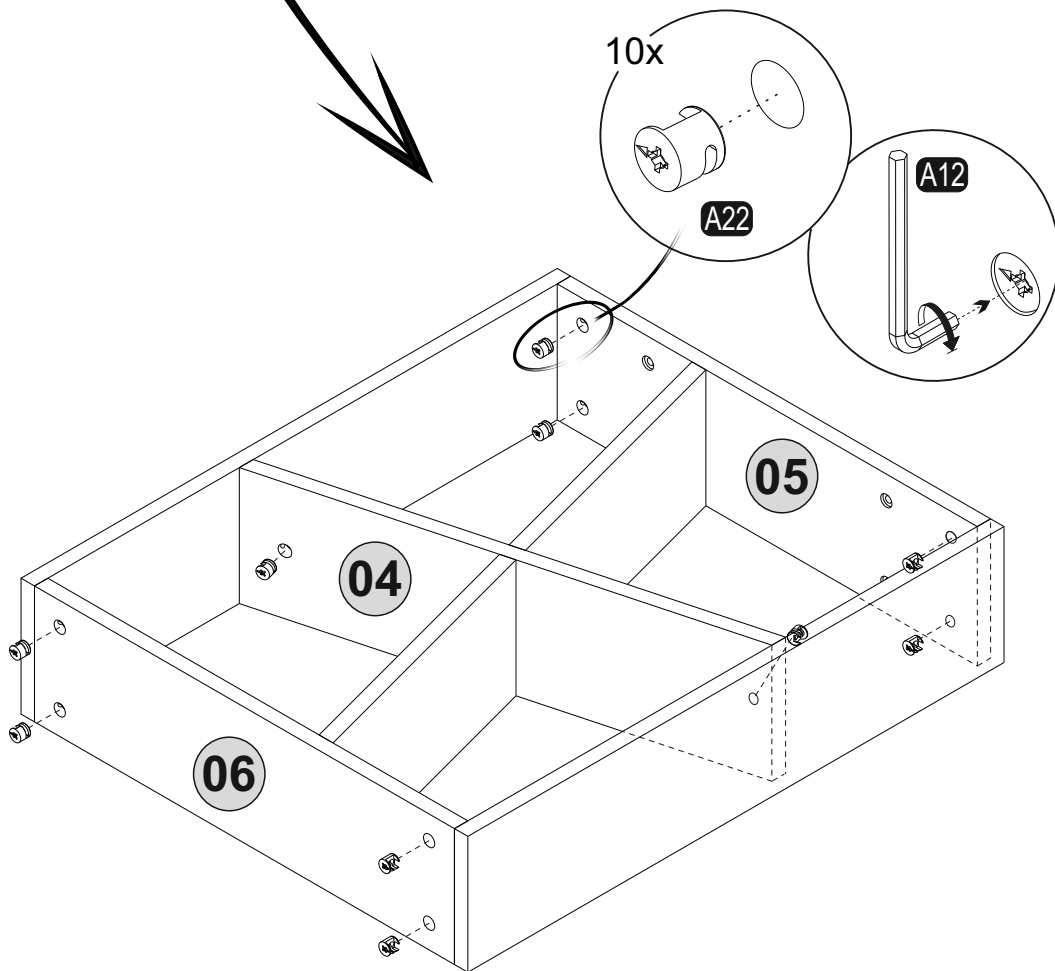
6 step



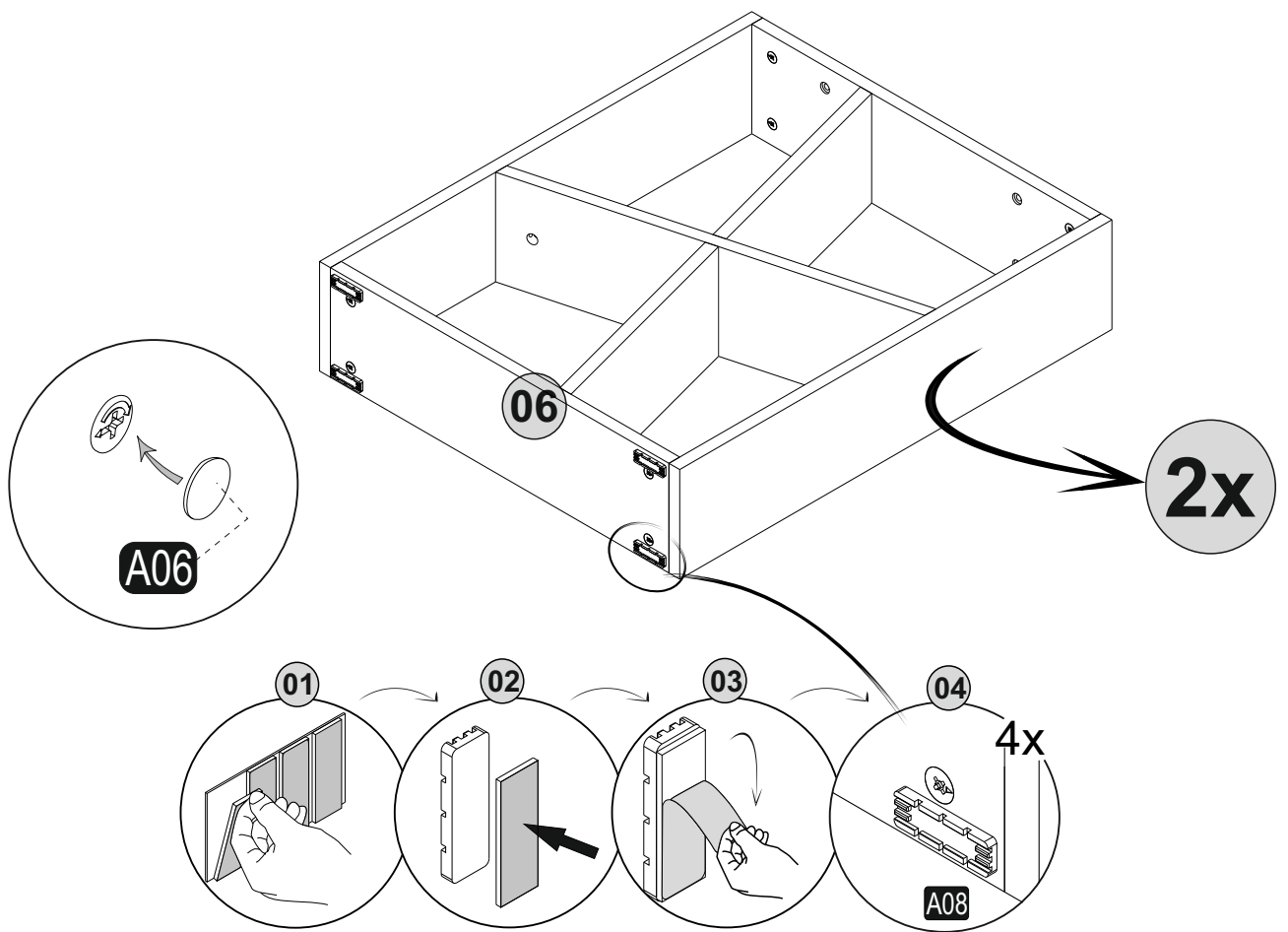
7 step



8 step



9. step



10. step

