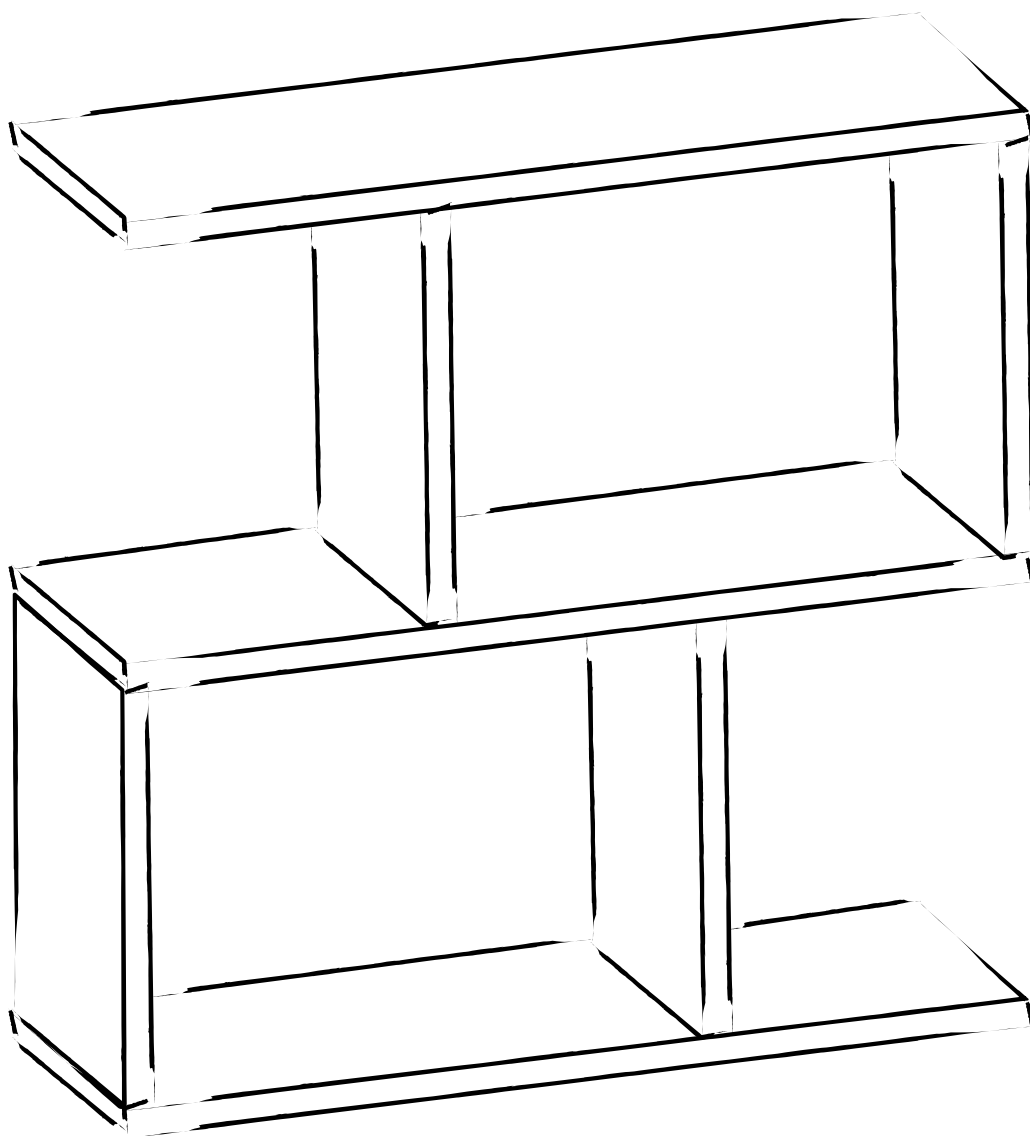
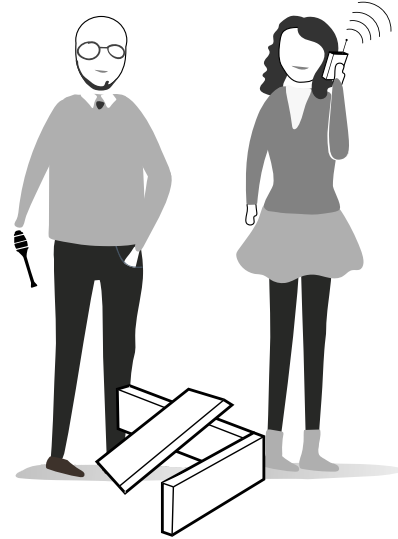
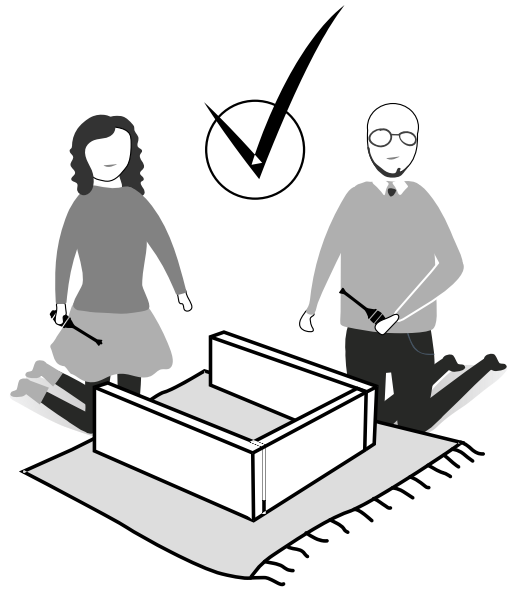
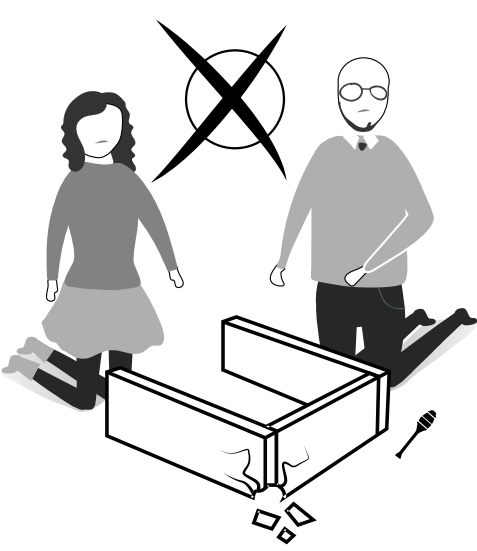
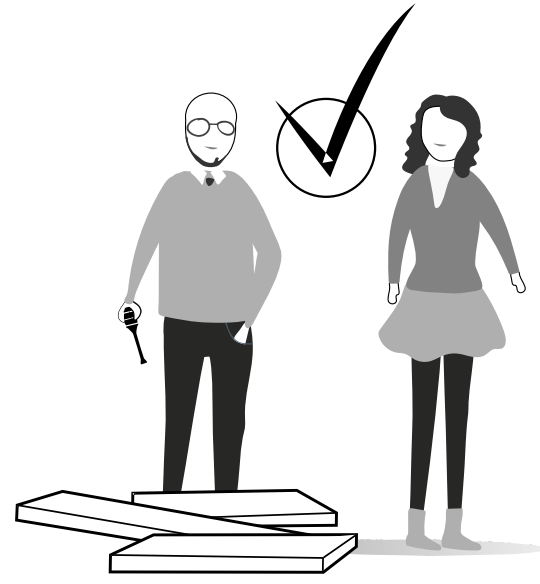
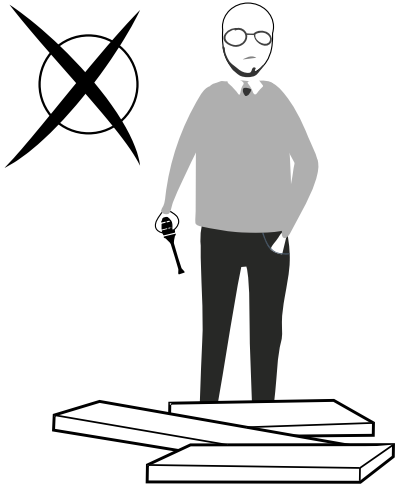


GP037-0018,3

---

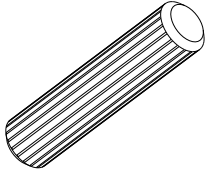




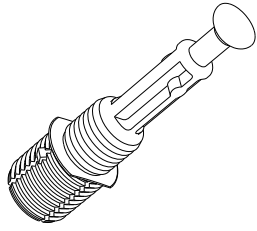
# ATTENTION !!

Minifix is the main connection material used in ada products.  
Before starting assembly, please check the drawings below.

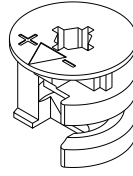
A04



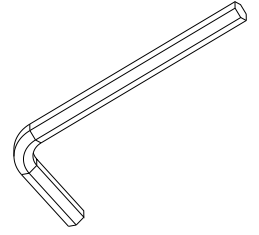
A23



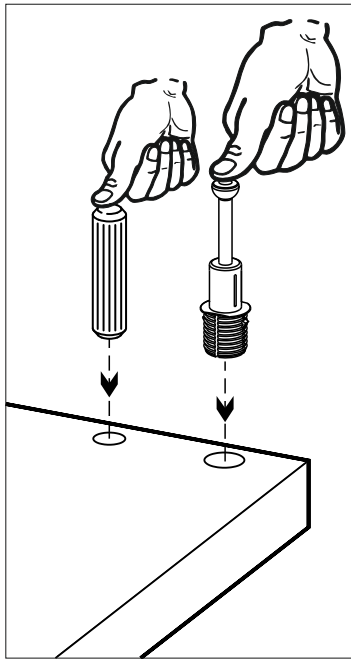
A22



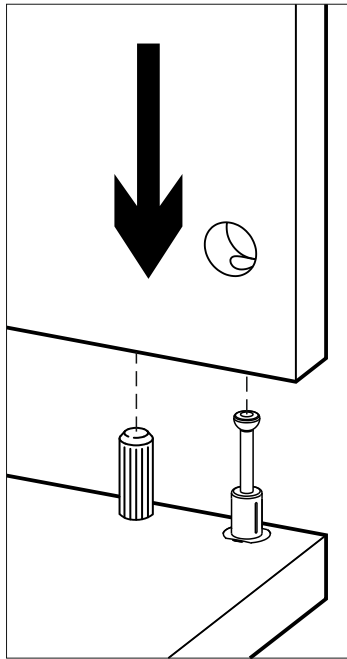
A12



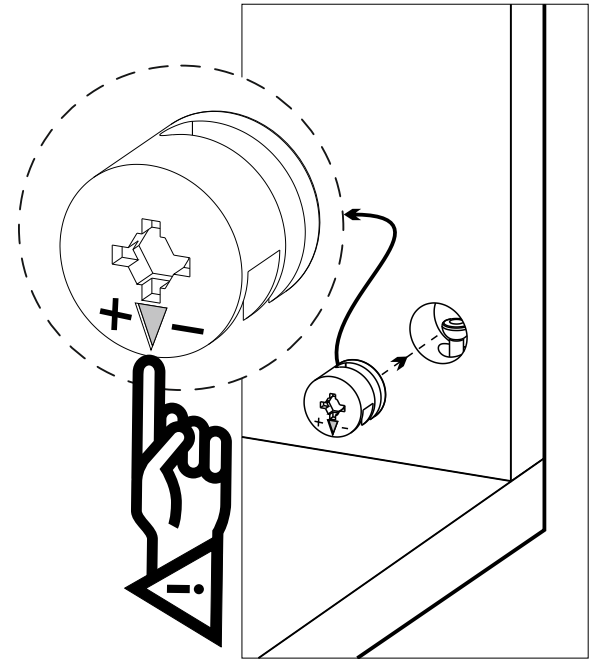
1



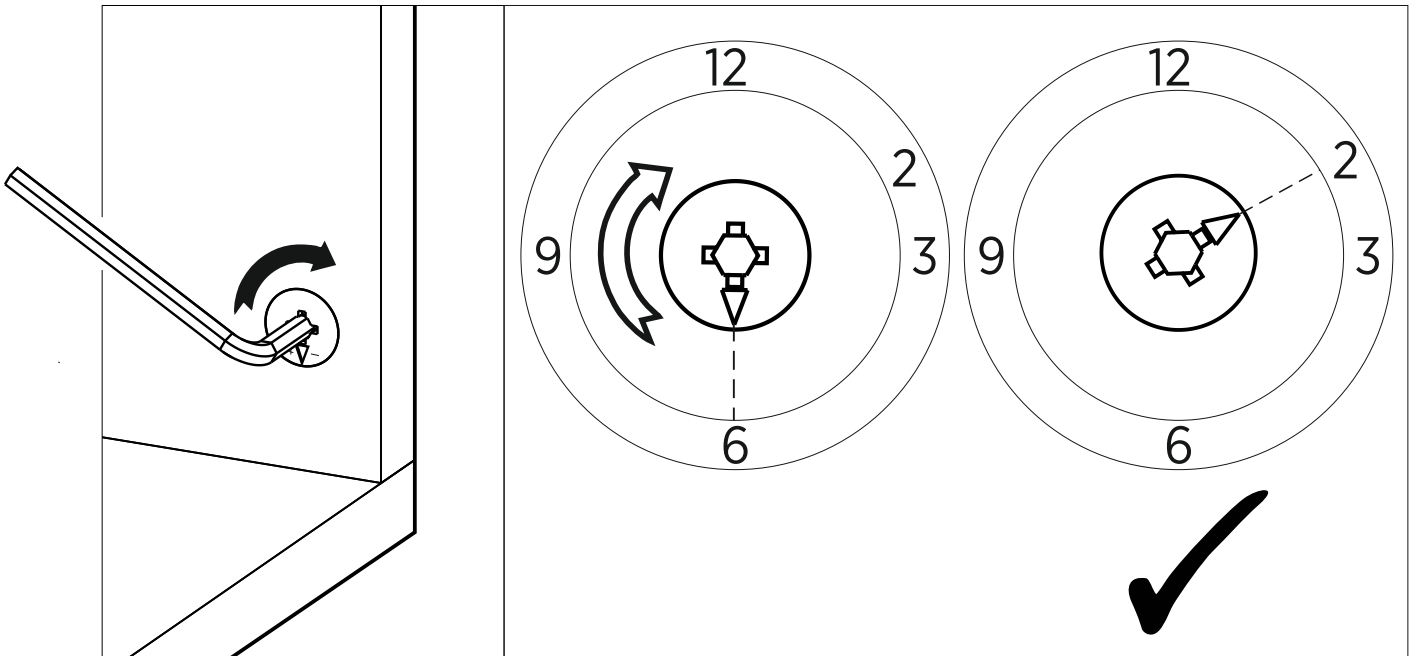
2



3



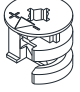
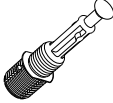

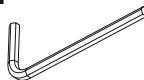

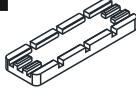
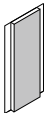
4

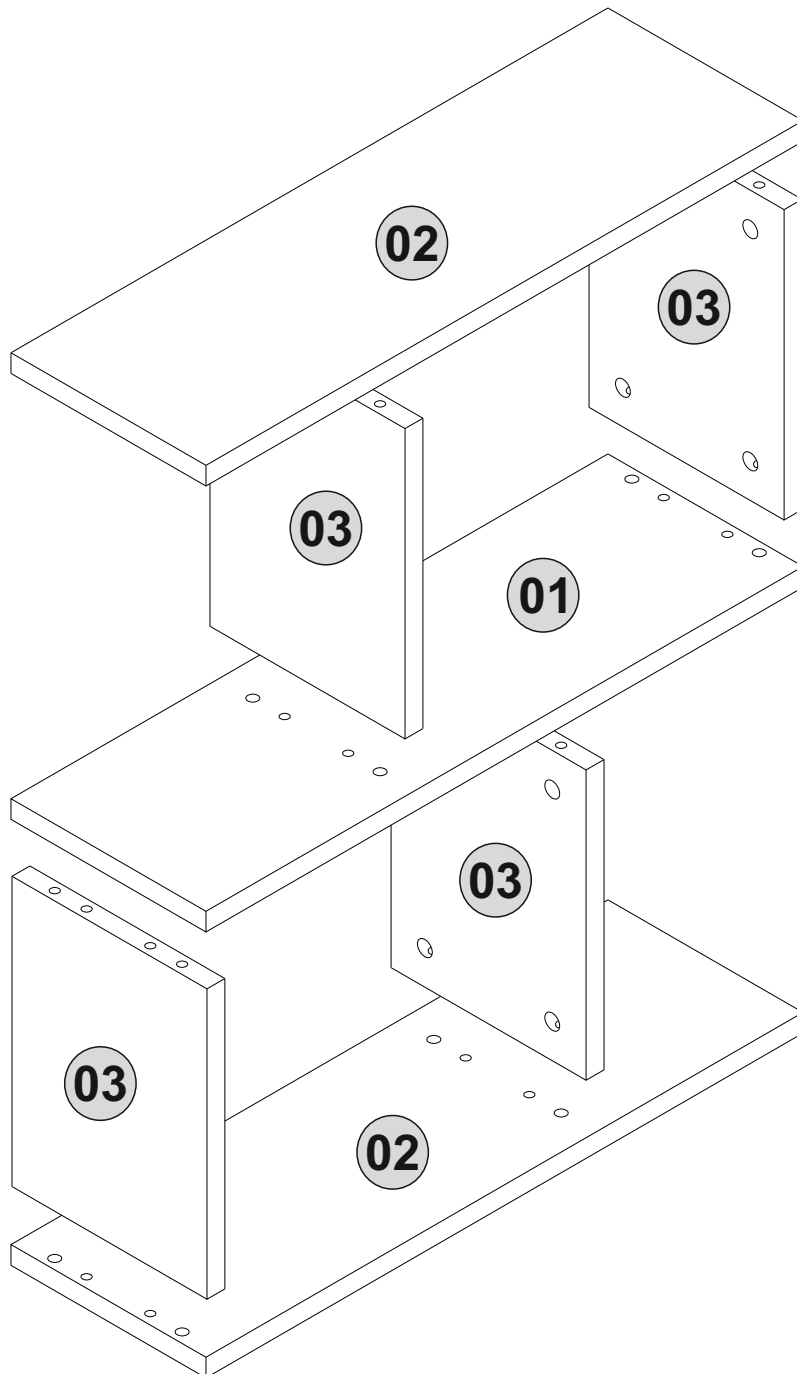


Follow the installation steps in the order as shown.  
Position the parts as shown in the installation guide steps.

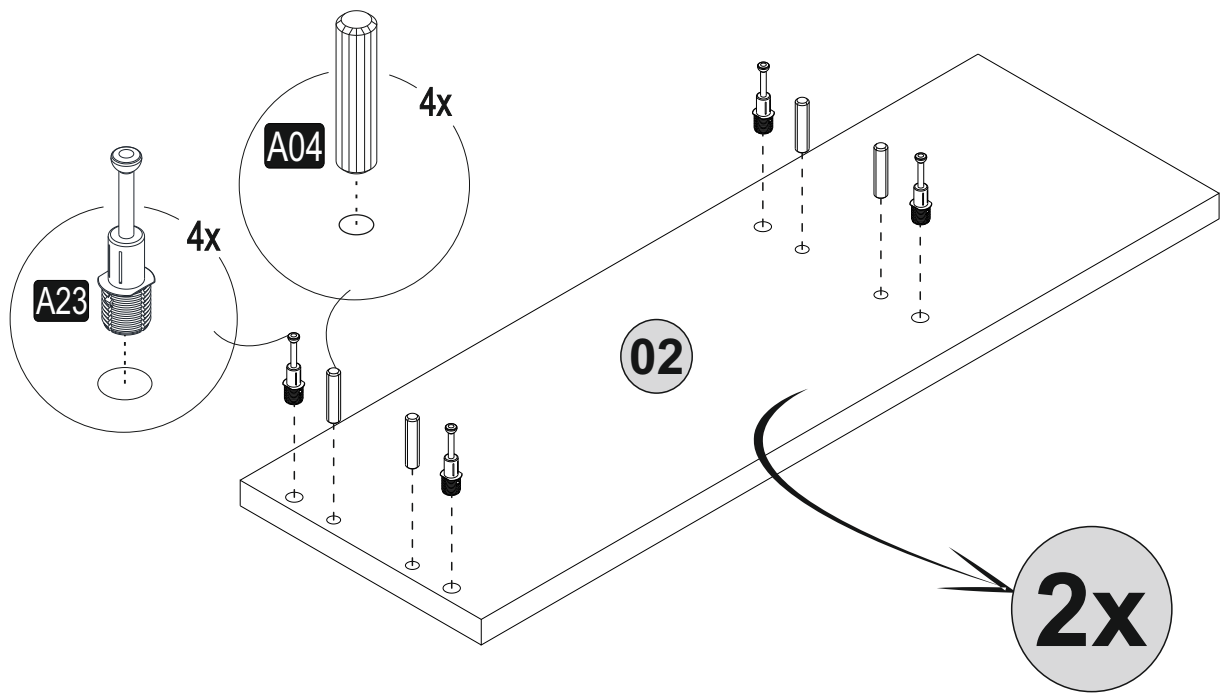


## ACCESSORY LIST

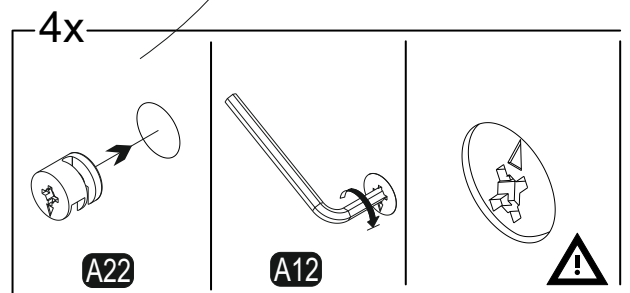
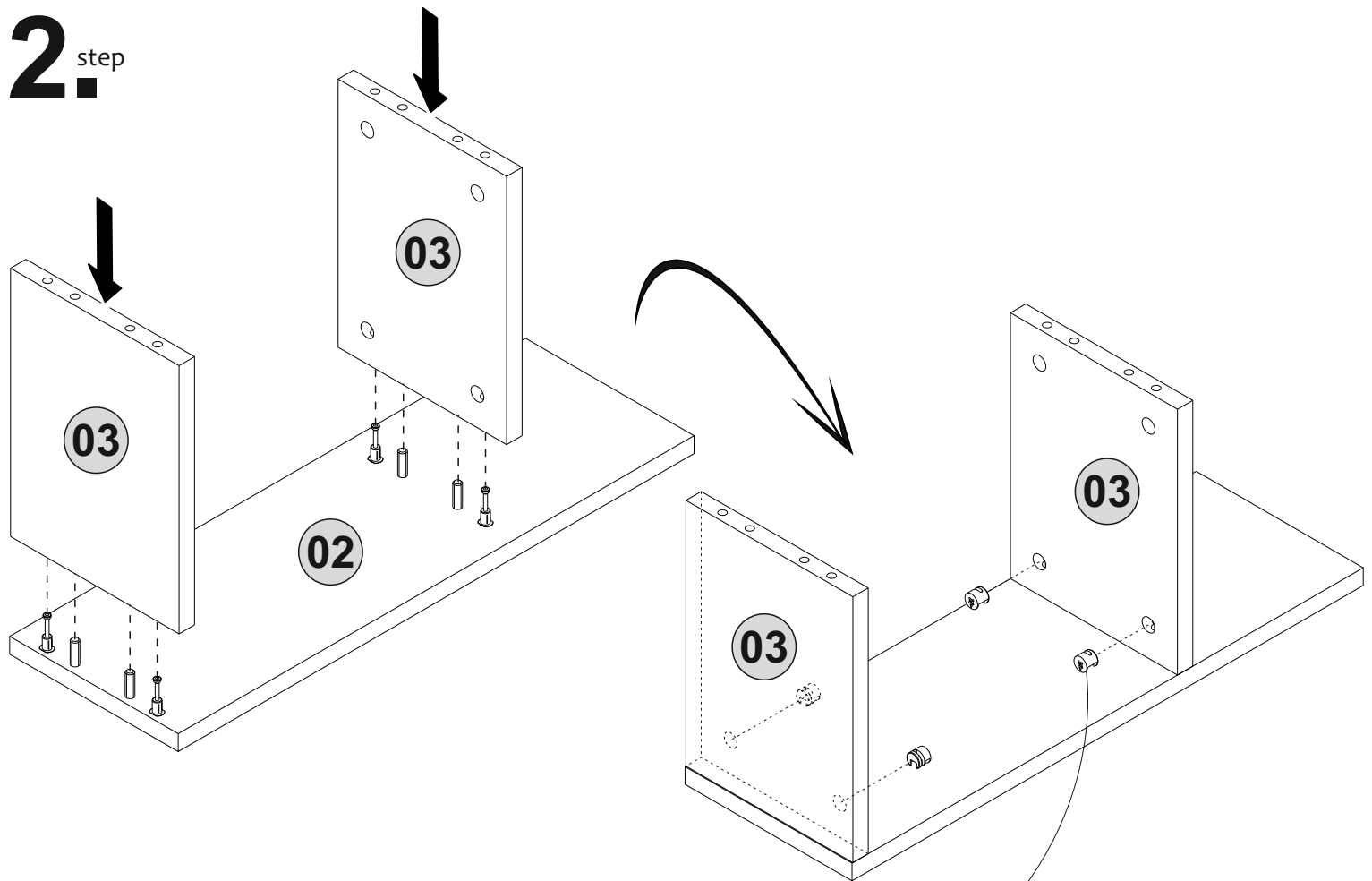
<b>A22</b>  Minifix k18 16x	<b>A23</b>  Minifix M10 16x	<b>A04</b>  Ø8 16x	<b>A12</b>  Allen 1x	<b>A06</b>  18mm 16x
<b>A08</b>  5mm 4x	<b>Y03</b>  Ctpb 4x			



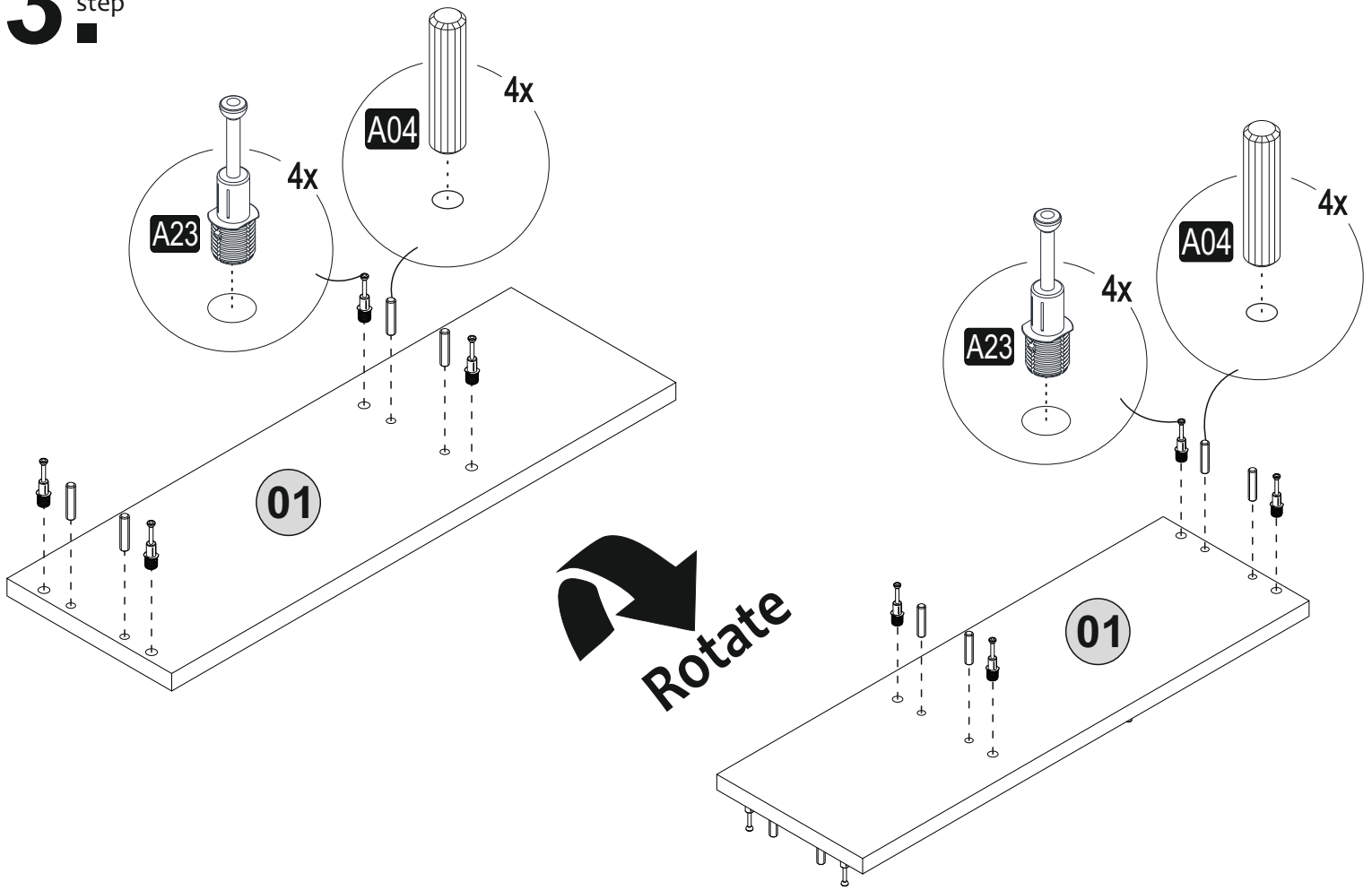
# 1. step



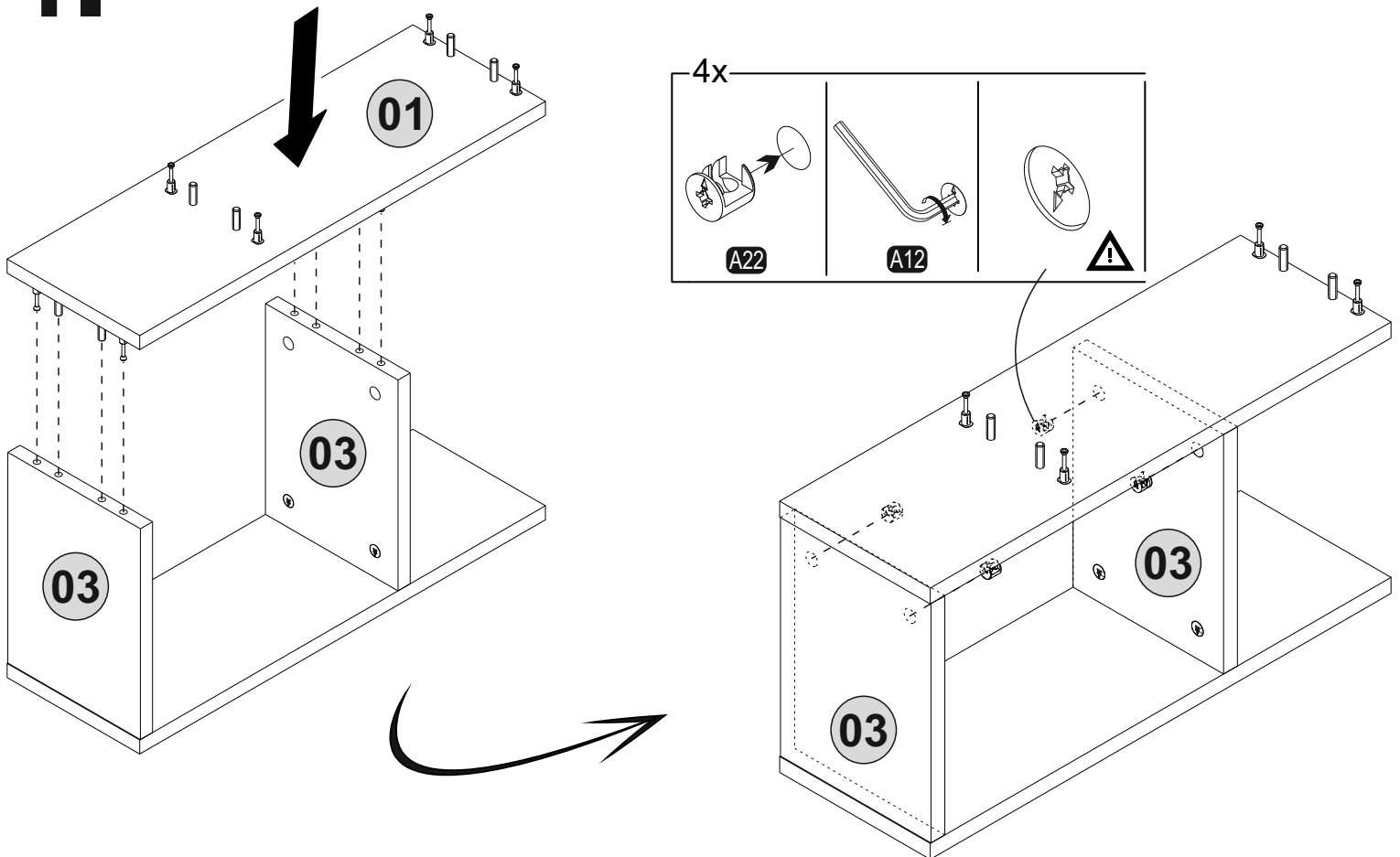
# 2. step



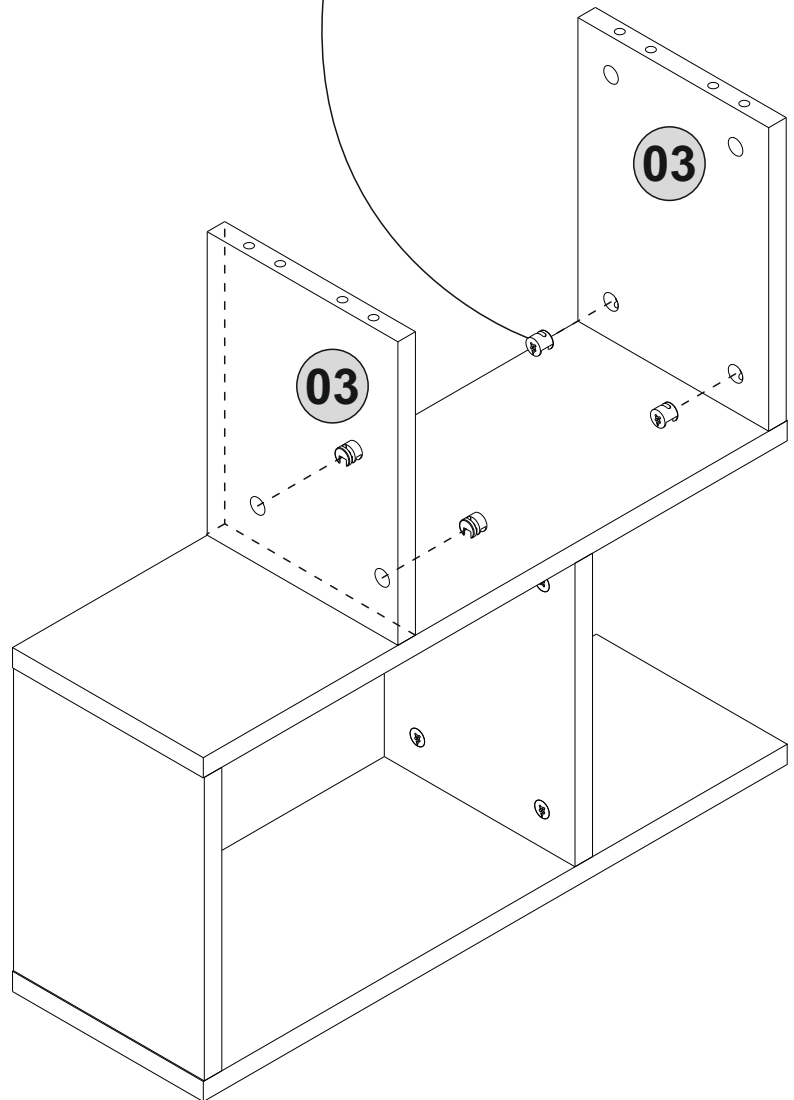
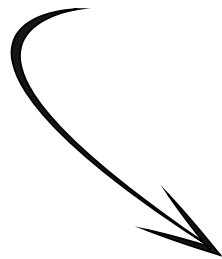
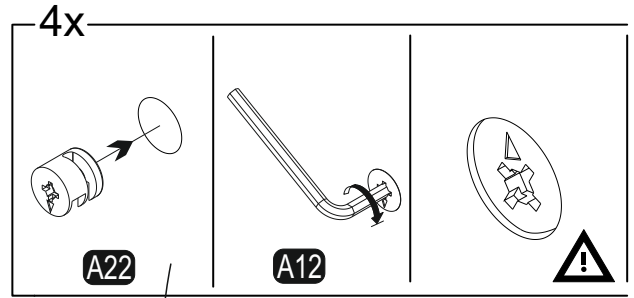
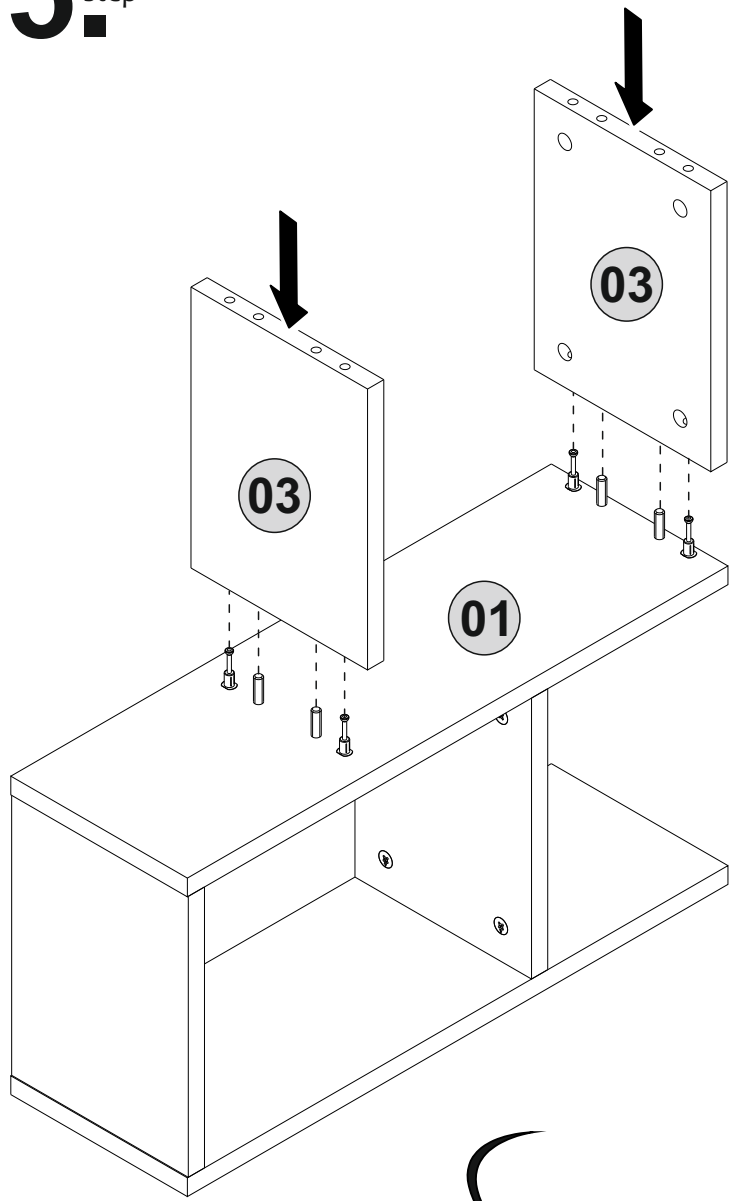
# 3. step



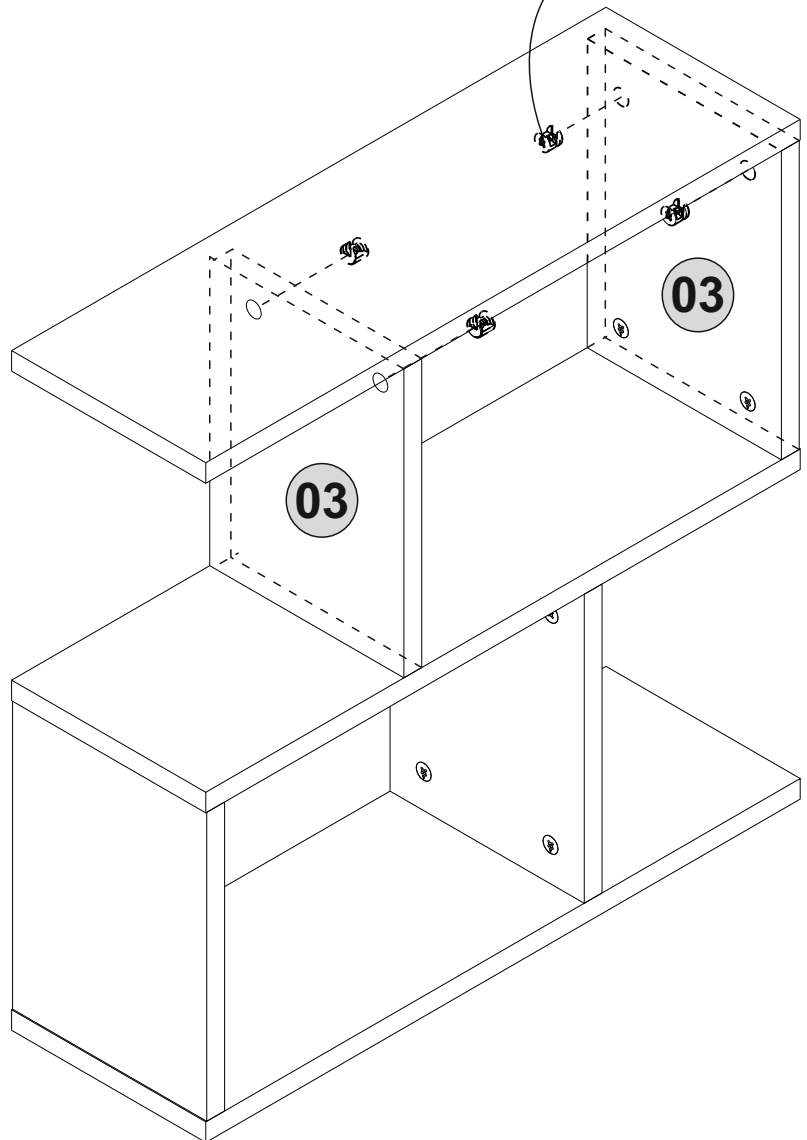
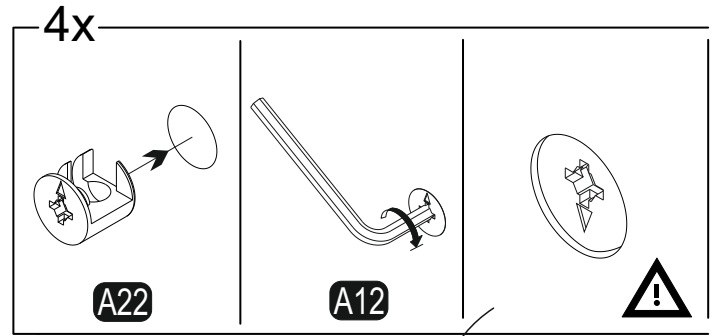
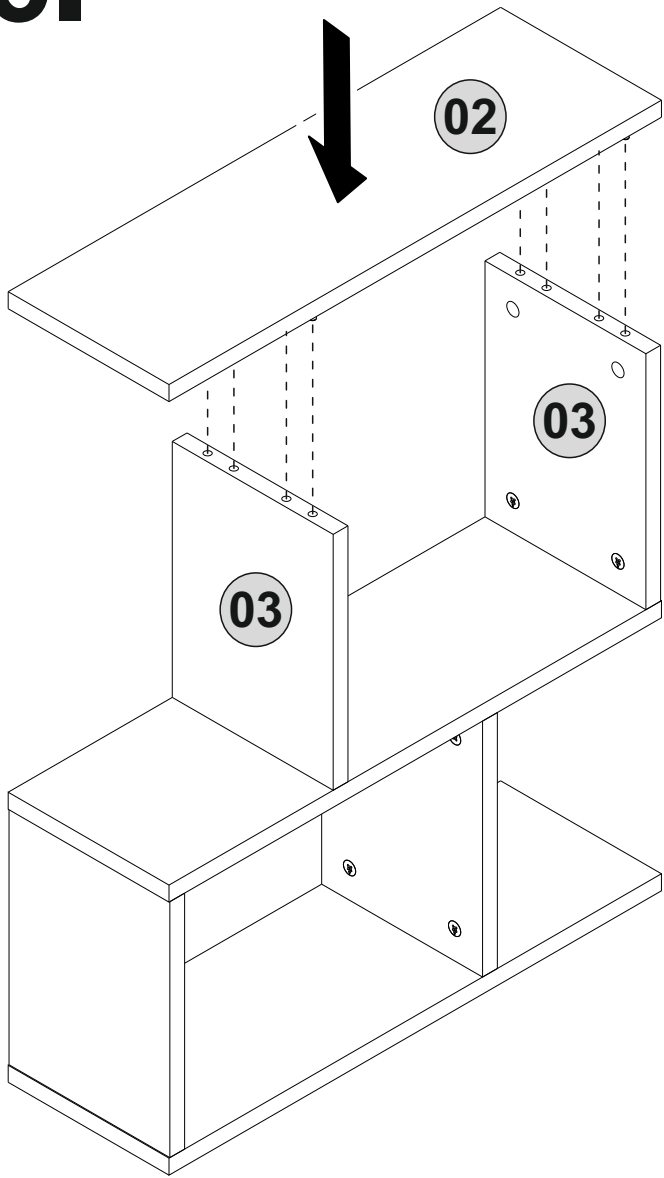
# 4. step



# 5. step



# 6<sub>step</sub>





# 7 step

