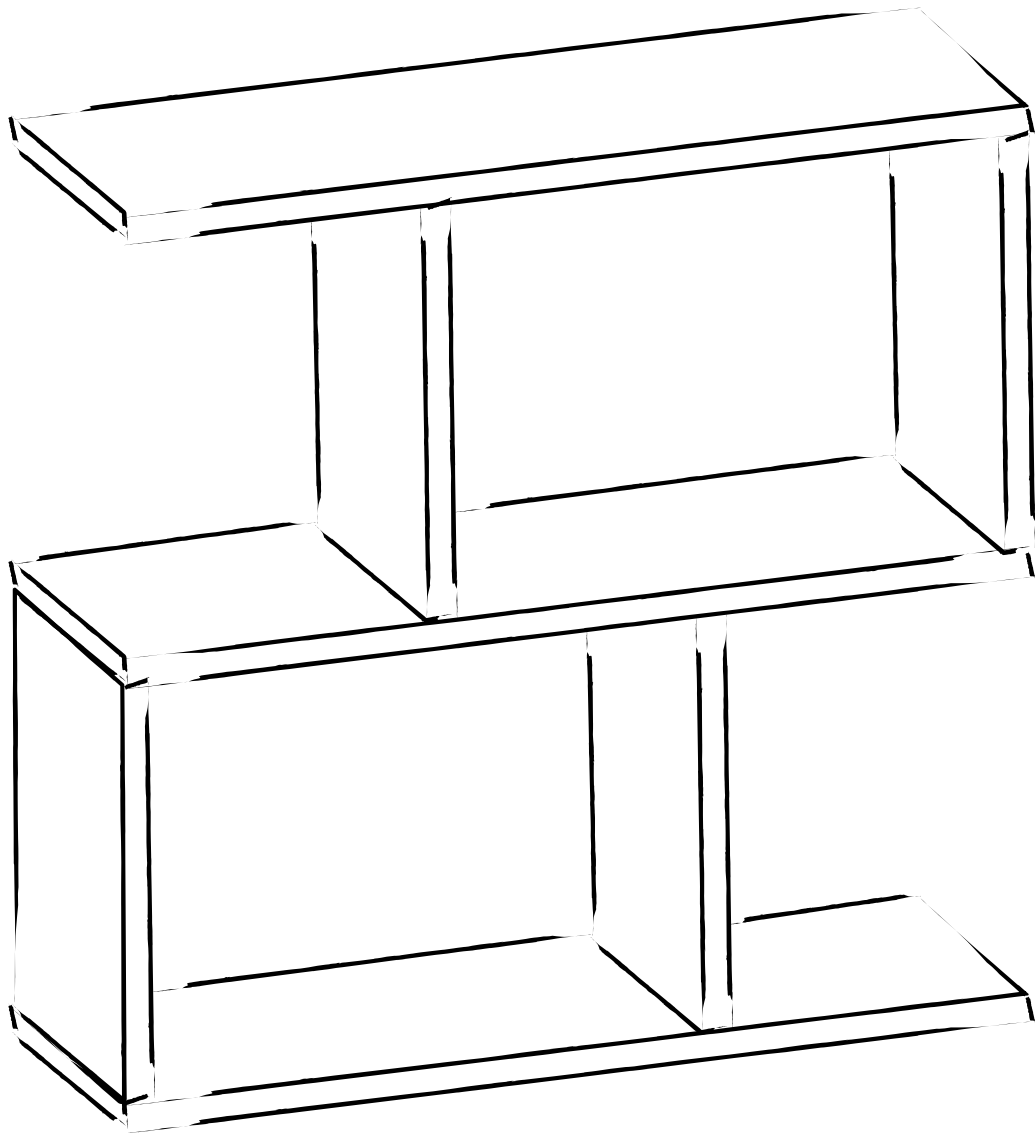
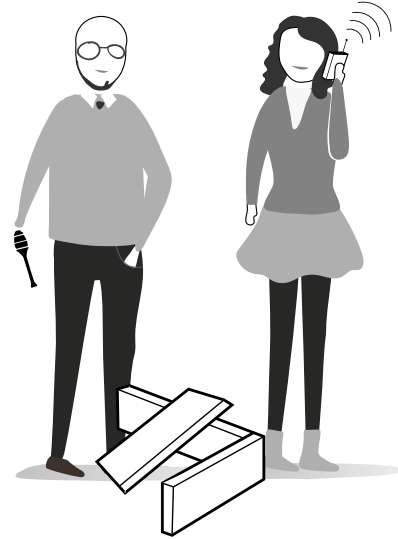
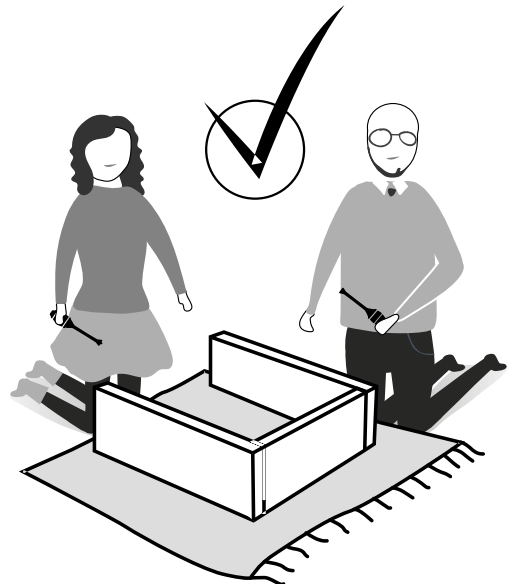
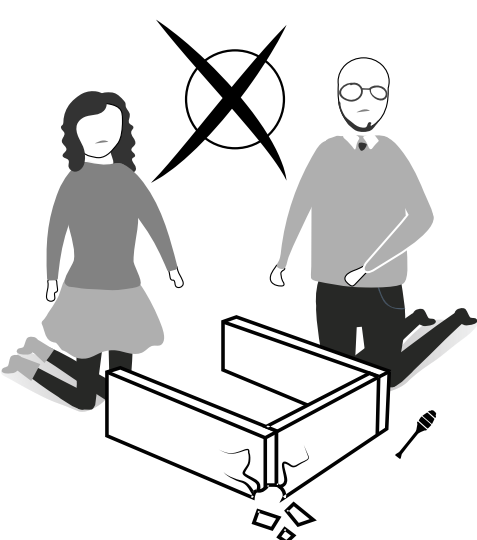
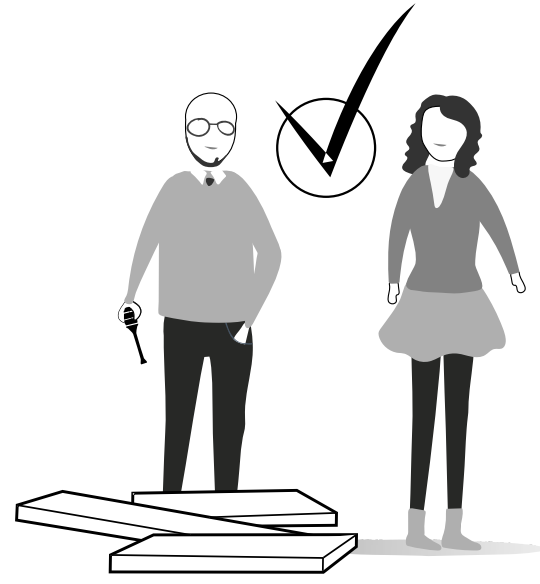
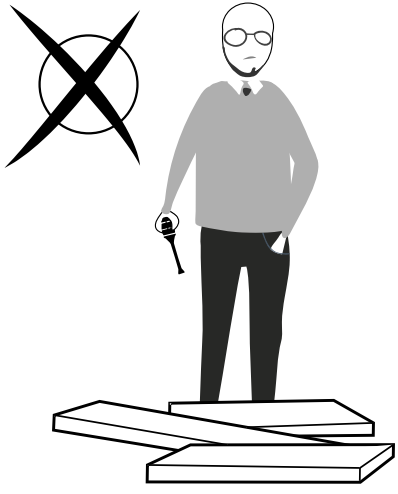


GP037-0018,1

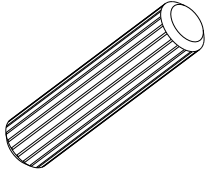




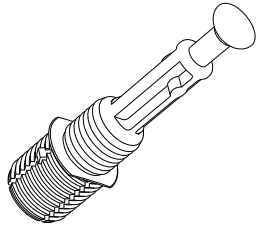
ATTENTION !!

Minifix is the main connection material used in ada products.
Before starting assembly, please check the drawings below.

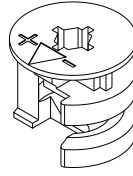
A04



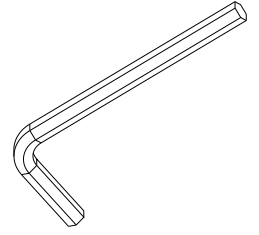
A23



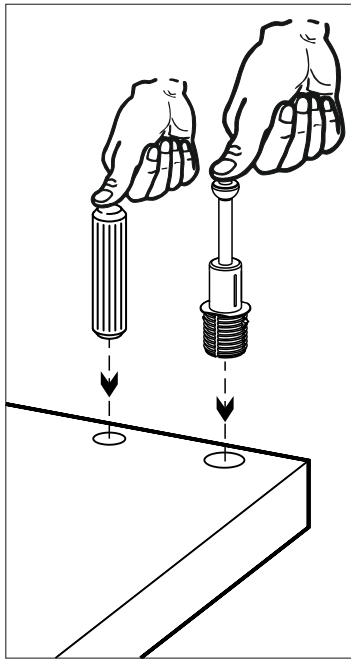
A22



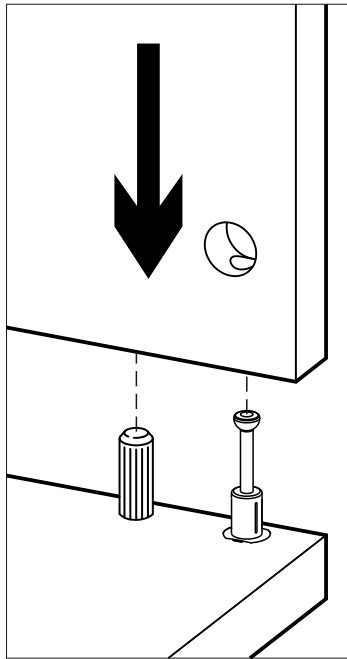
A12



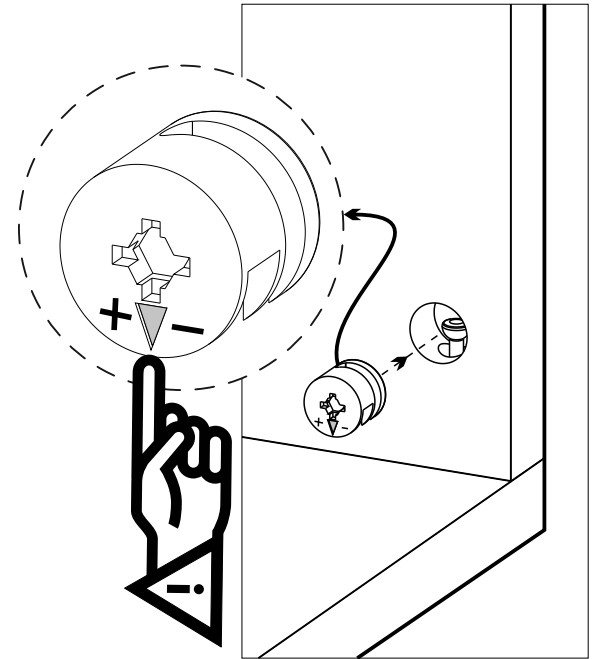
1



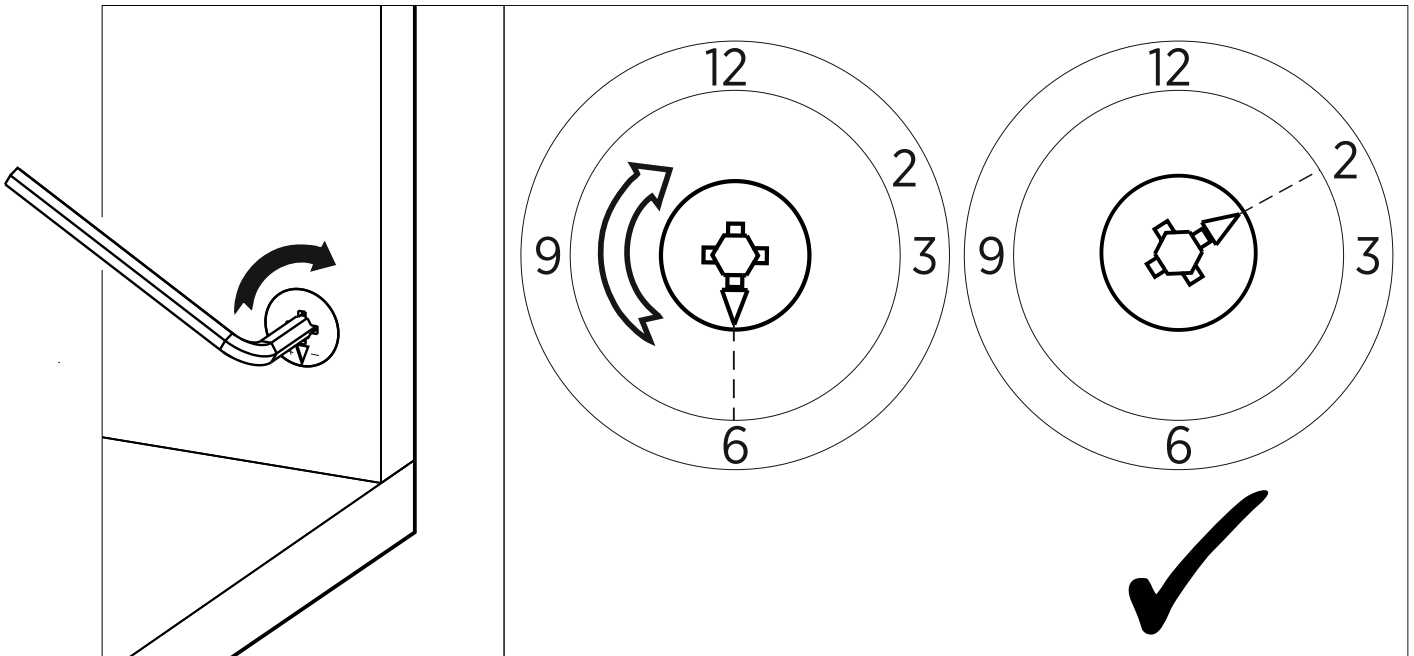
2



3



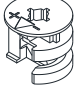
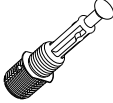

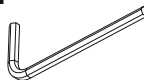

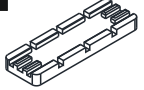
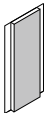
4

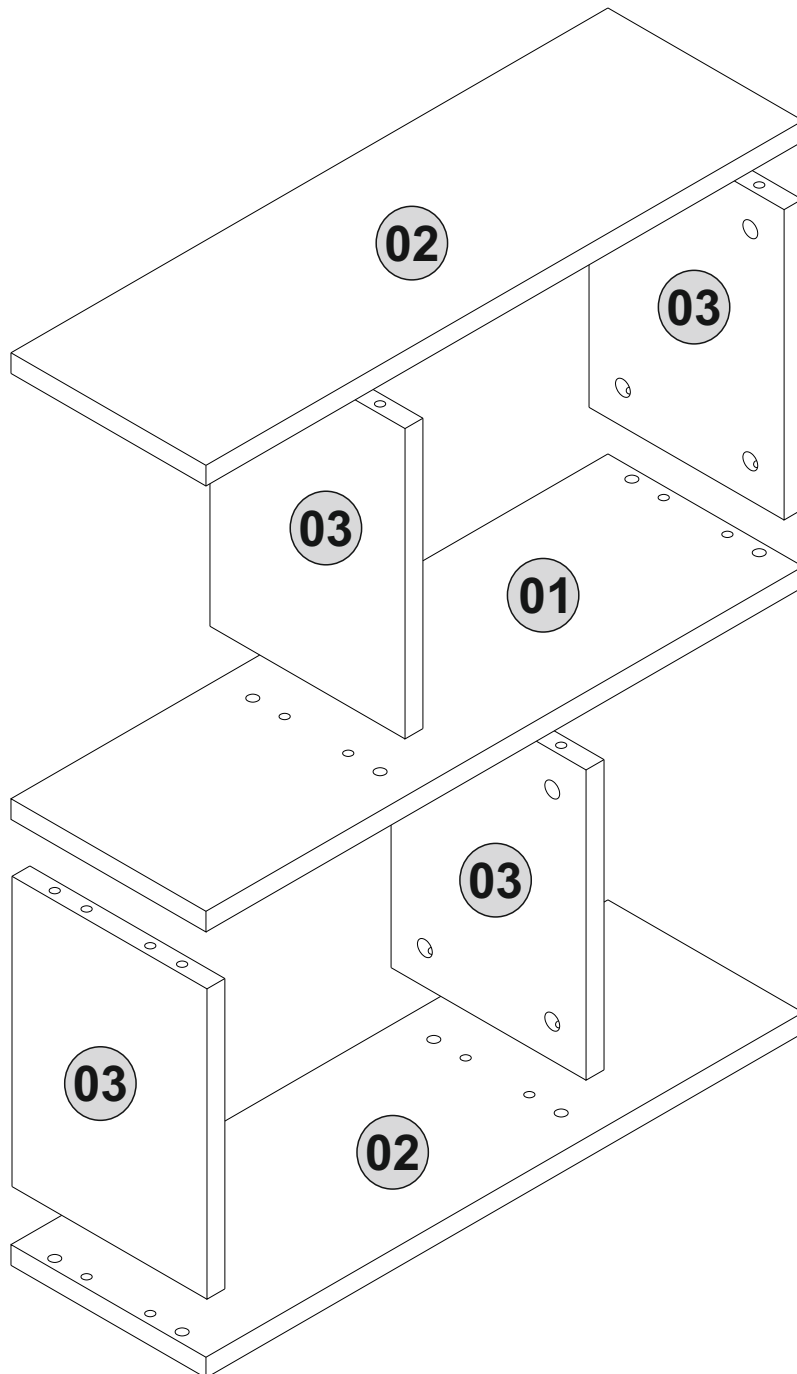


Follow the installation steps in the order as shown.
Position the parts as shown in the installation guide steps.

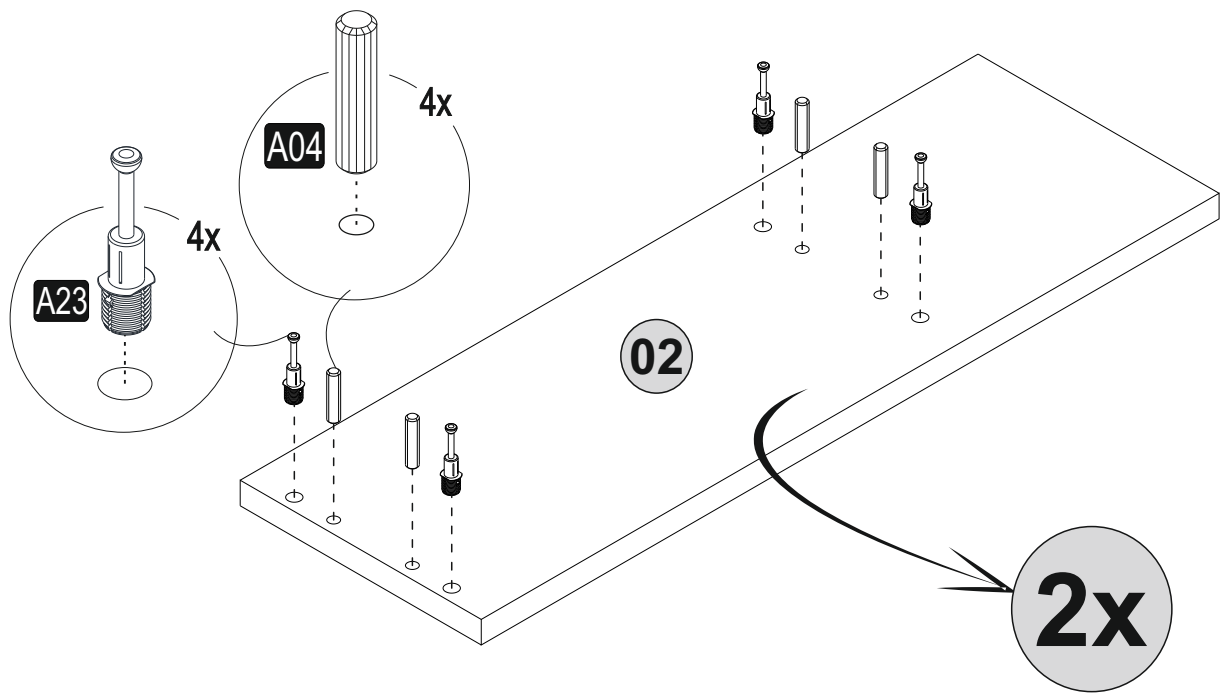


ACCESSORY LIST

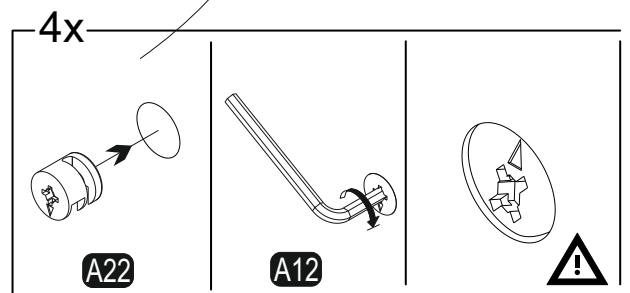
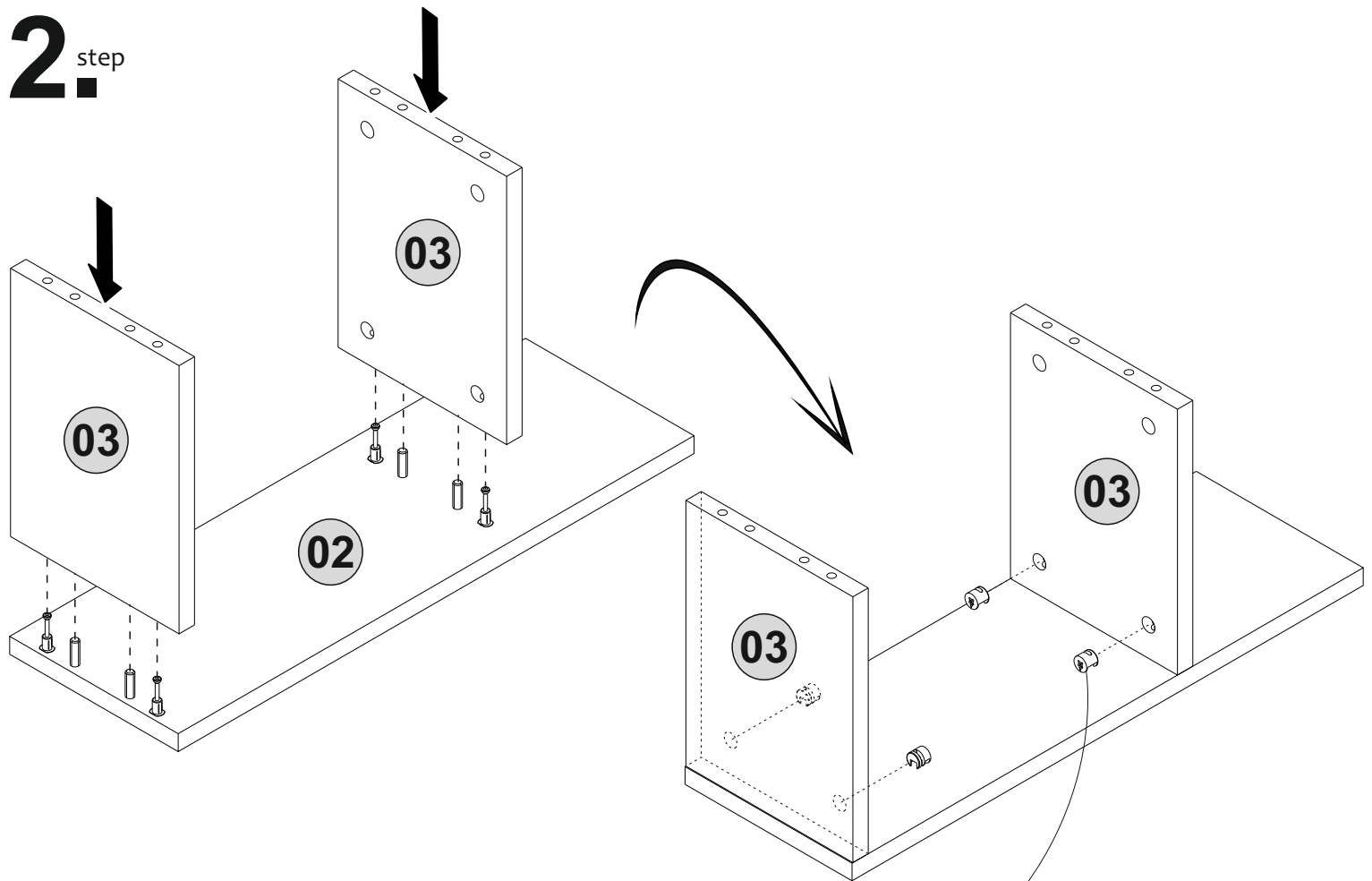
A22  Minifix k18 16x	A23  Minifix M10 16x	A04  Ø8 16x	A12  Allen 1x	A06  18mm 16x
A08  5mm 4x	Y03  Ctpb 4x			



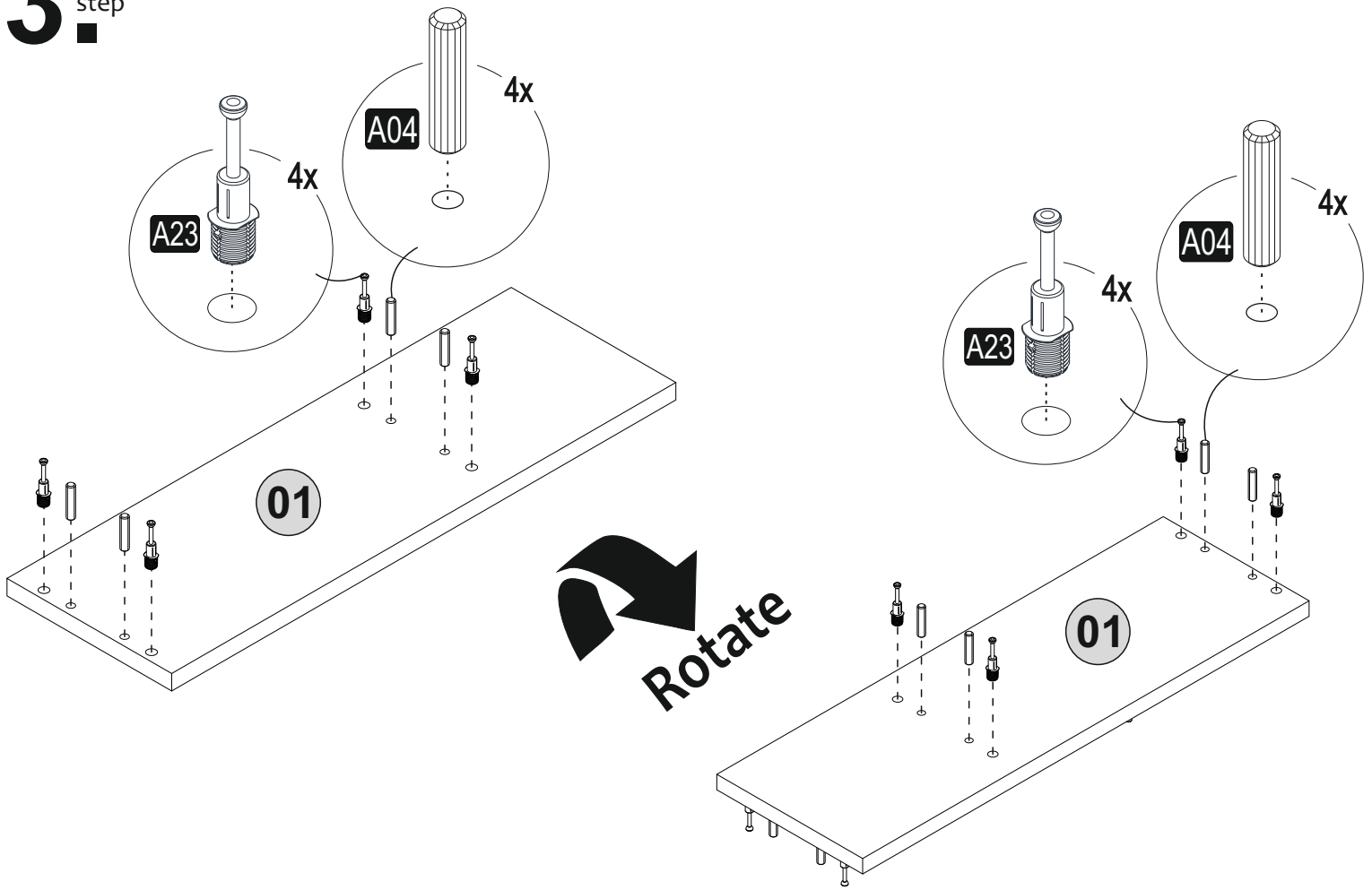
1. step



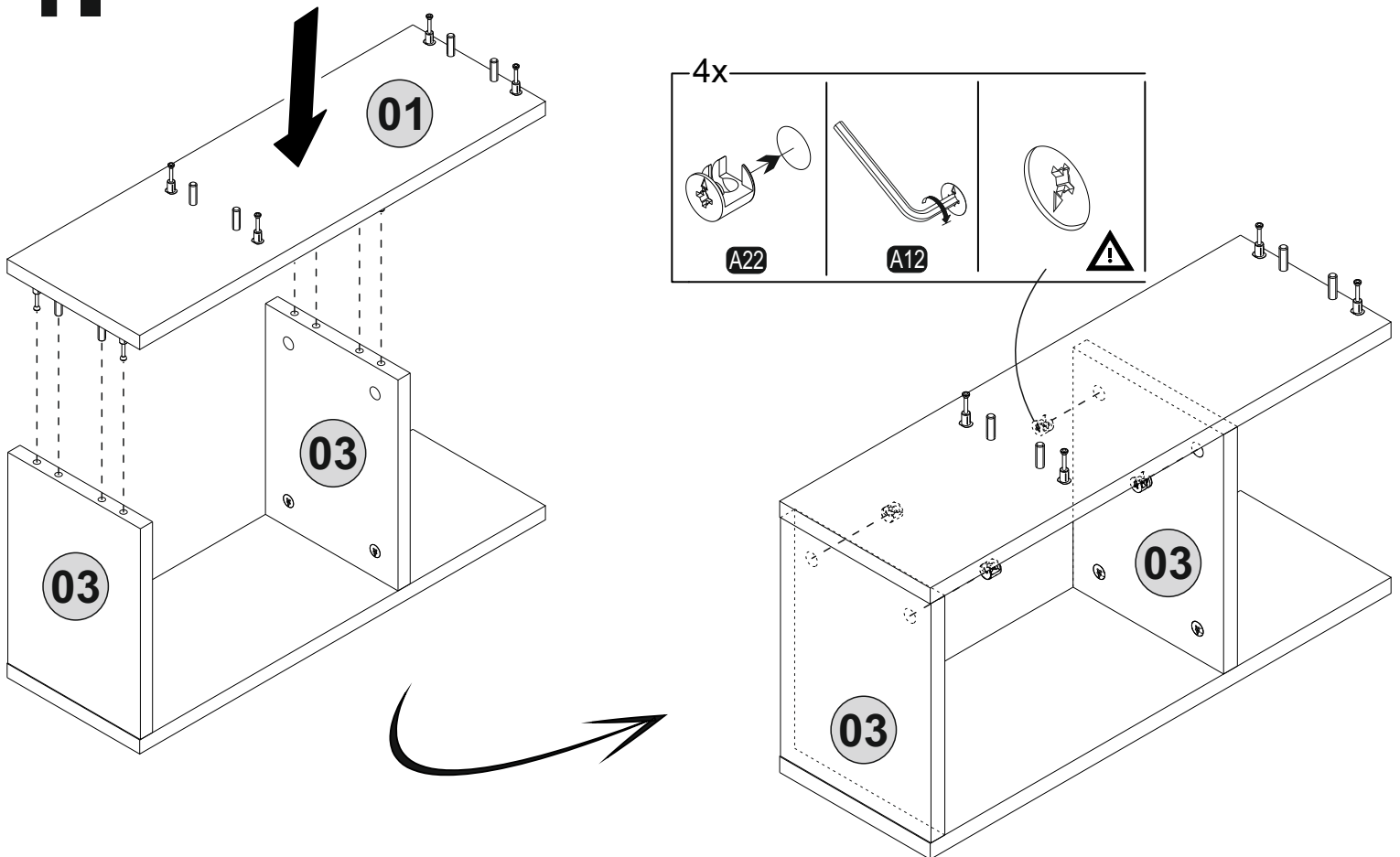
2. step



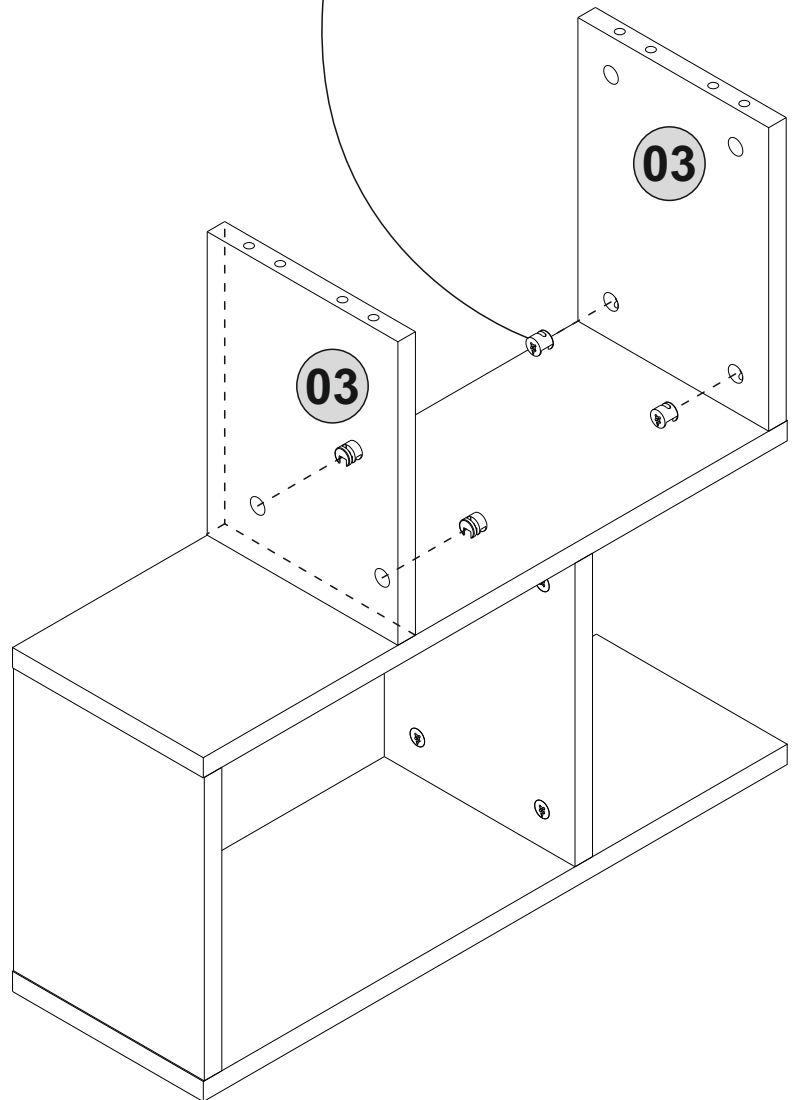
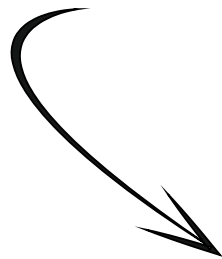
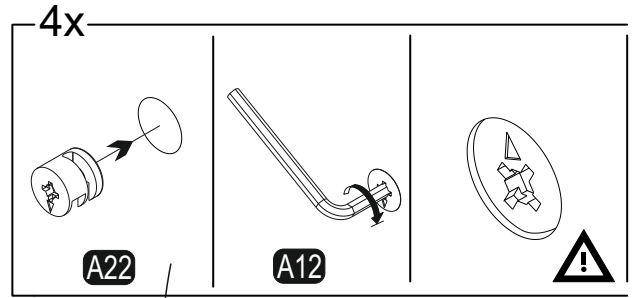
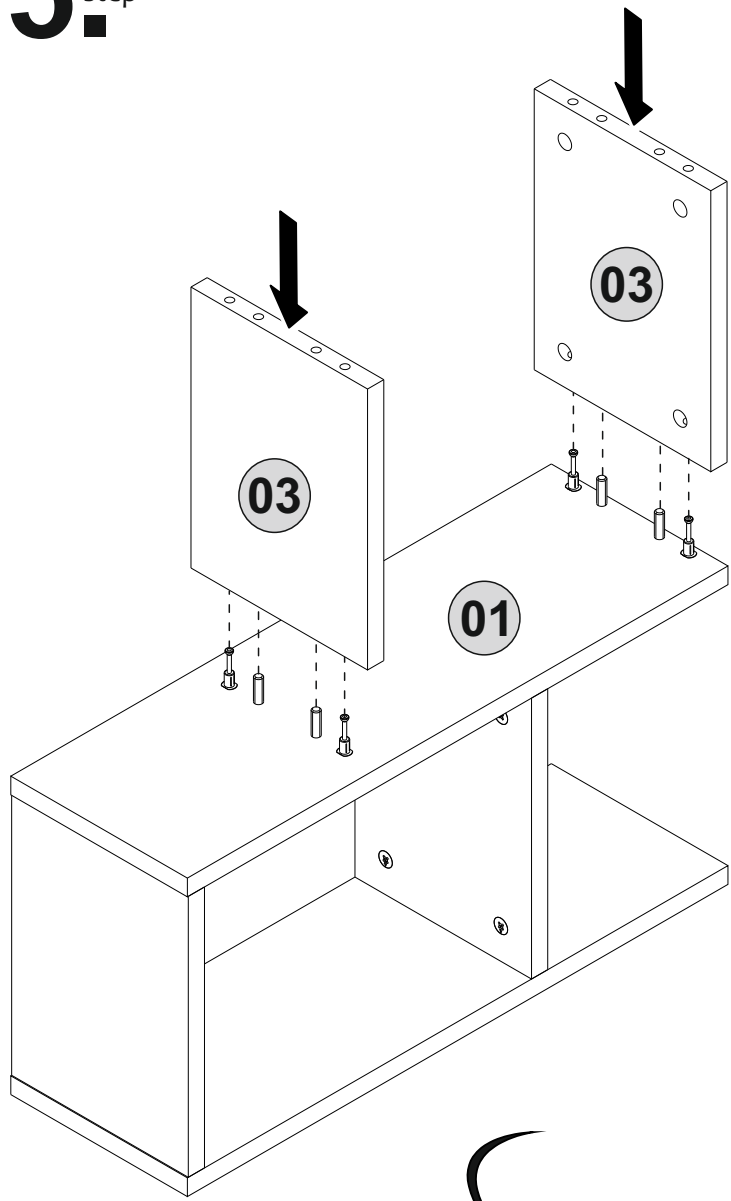
3. step



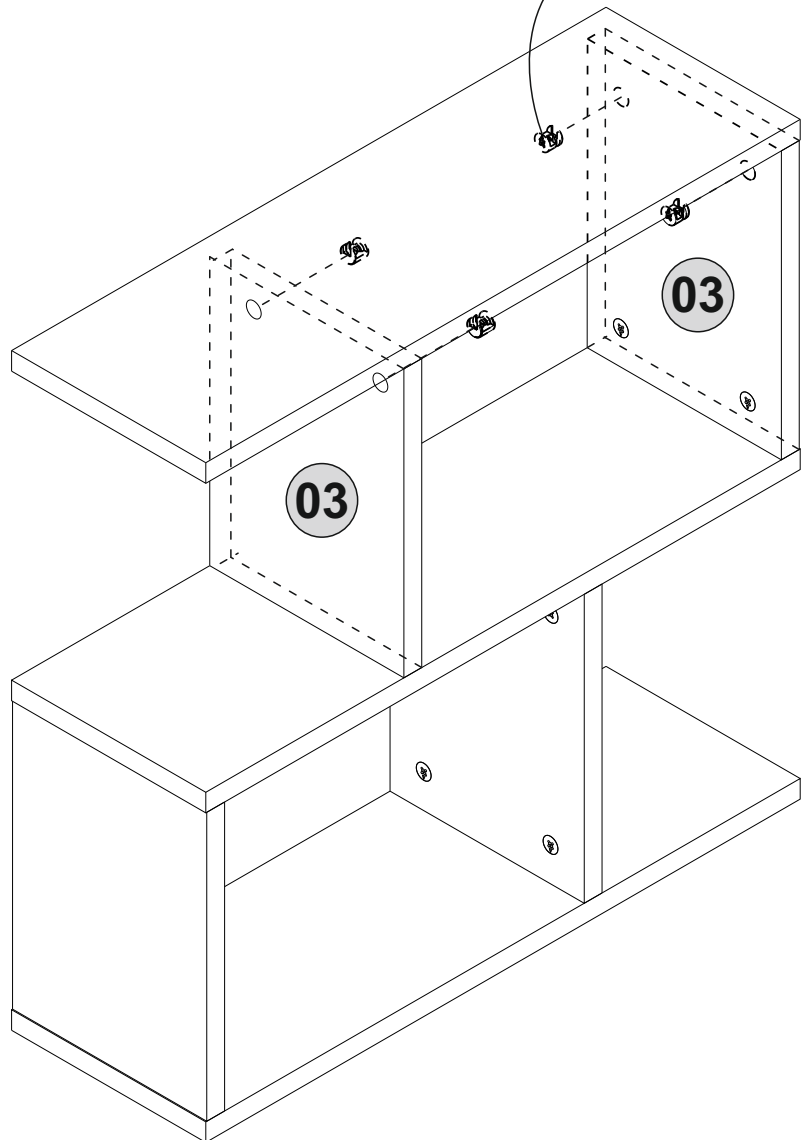
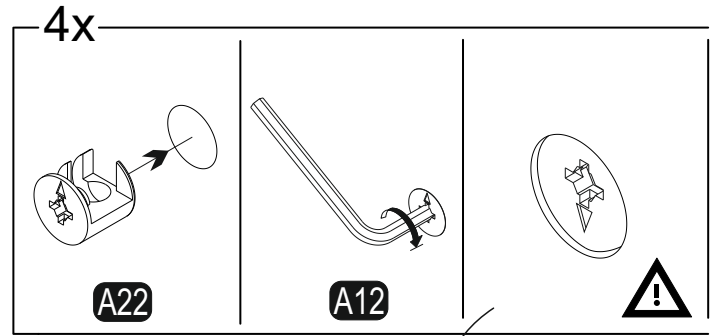
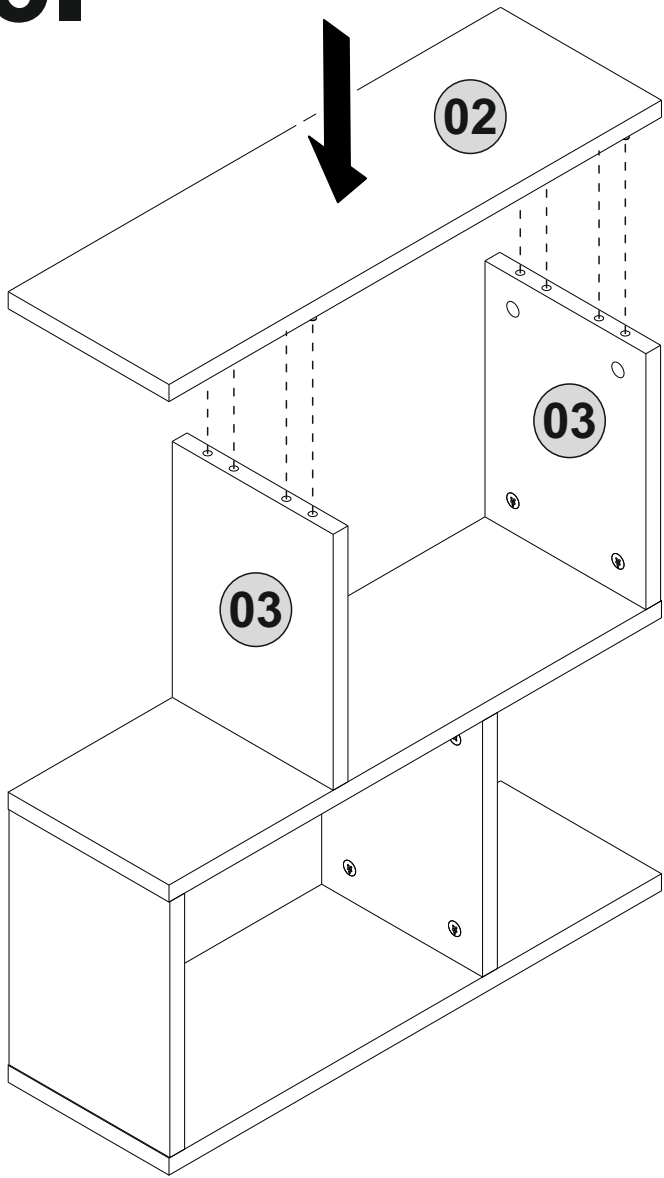
4. step



5. step



6^{step}



7 step

