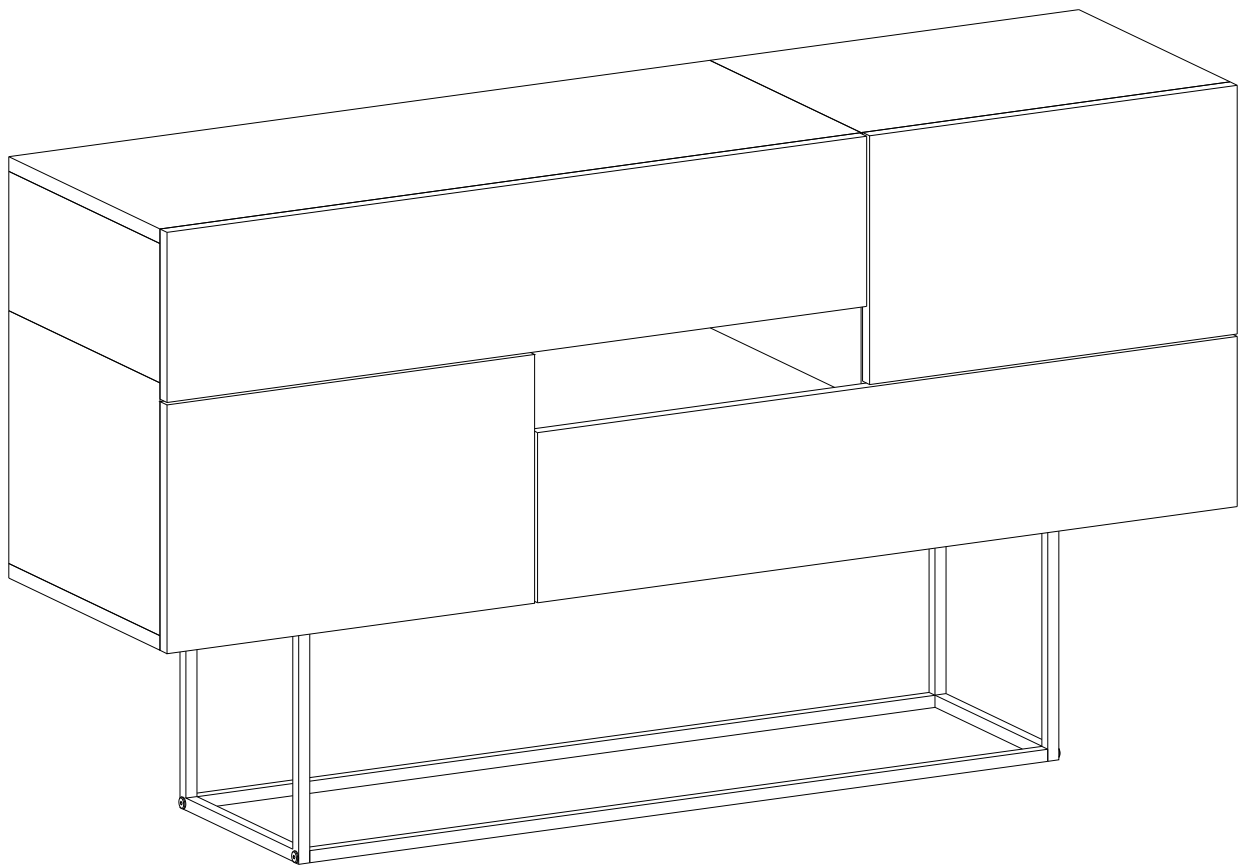
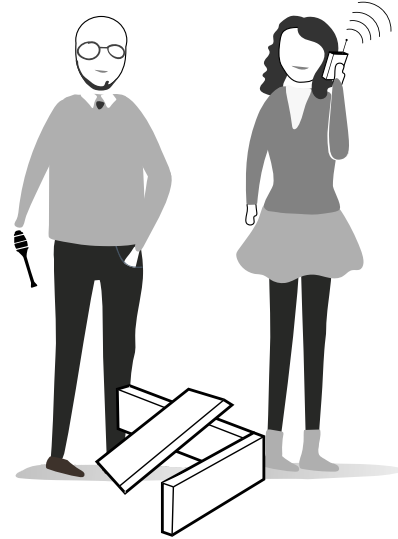
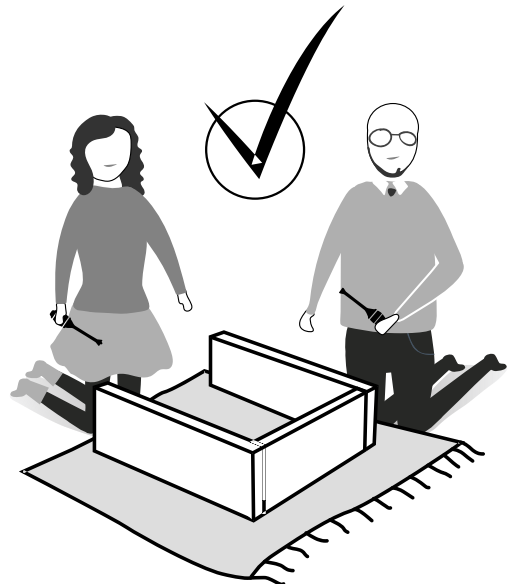
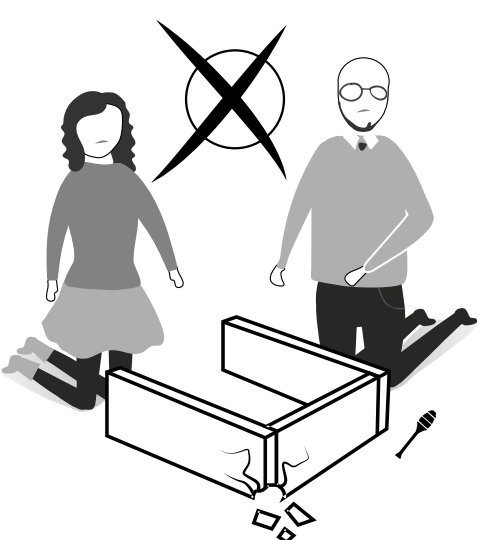
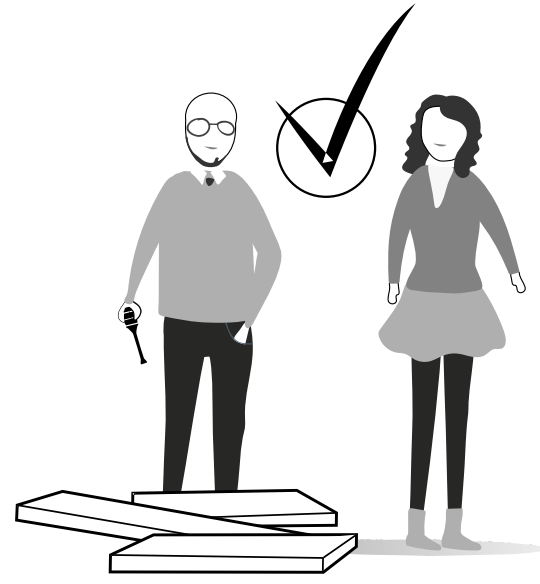
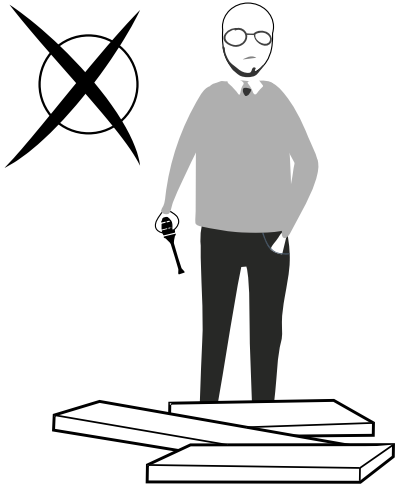


# GP037-0011,1

---

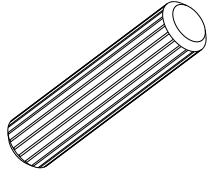




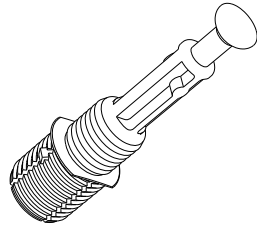
# ATTENTION !!

Minifix is the main connection material used in our products.  
Before starting assembly, please check the drawings below.

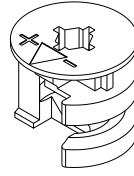
A04



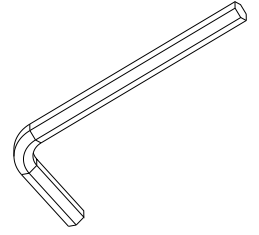
A23



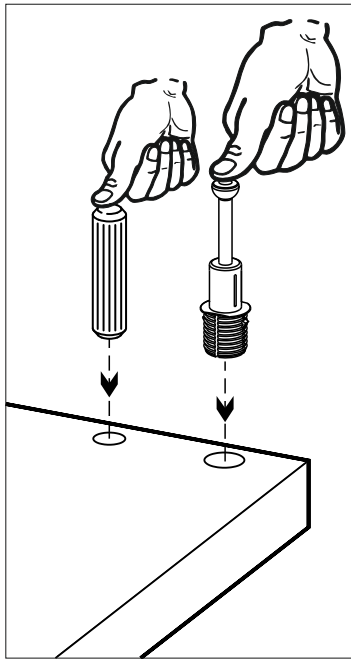
A22



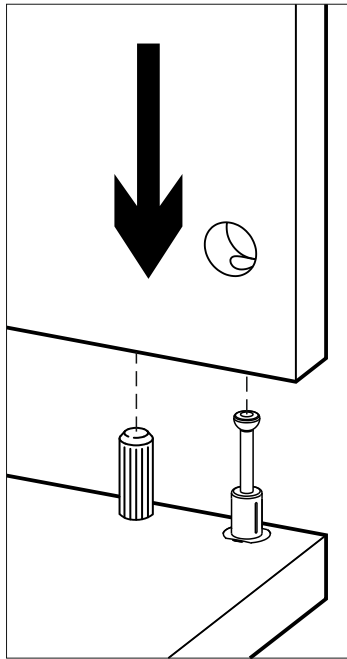
A12



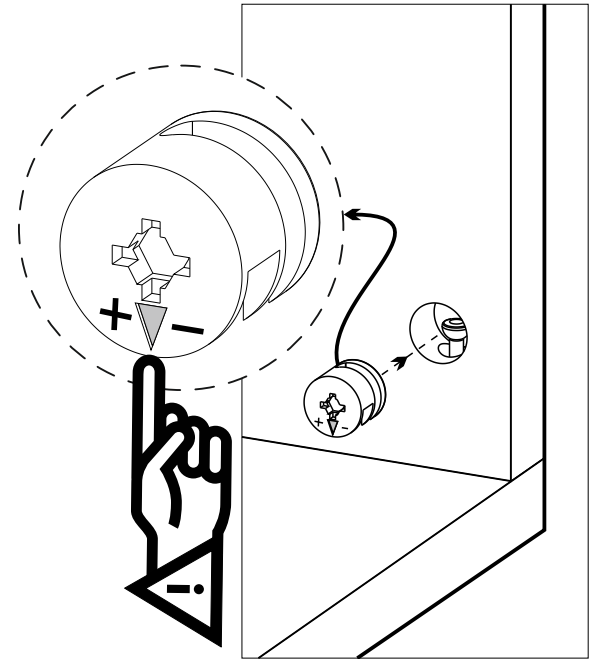
1



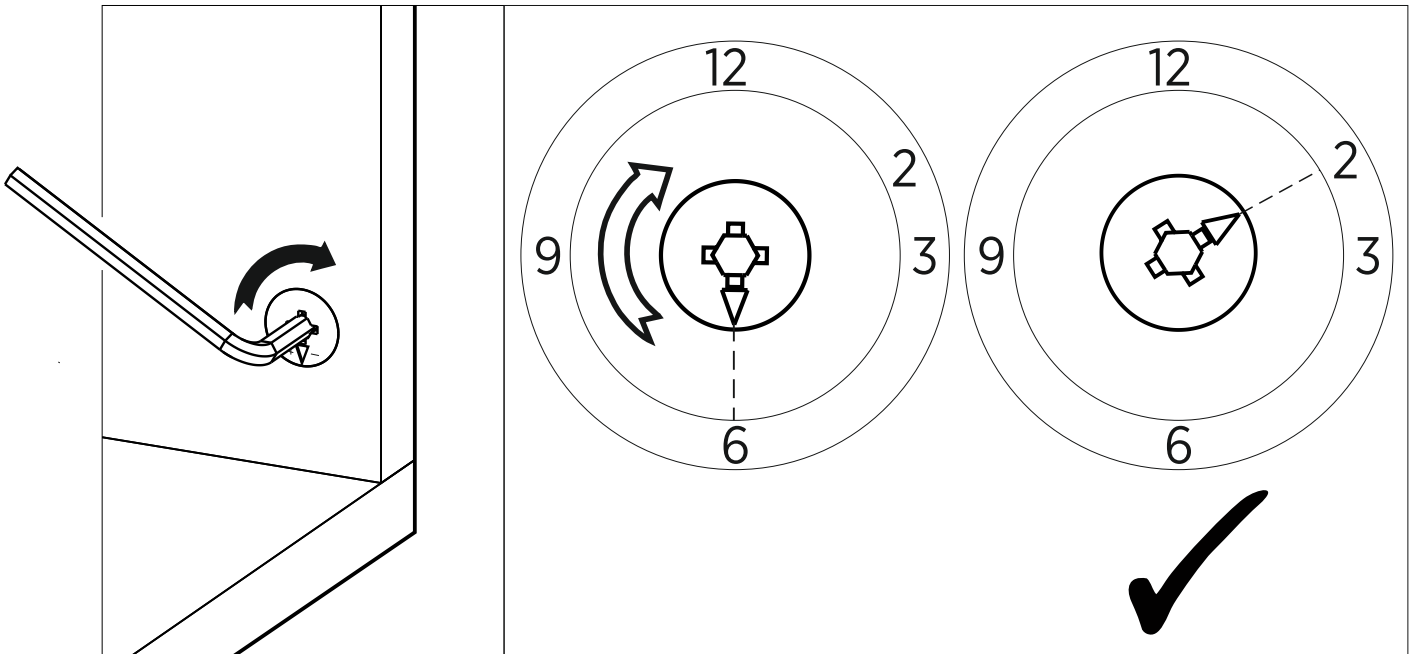
2



3



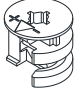

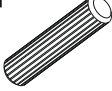
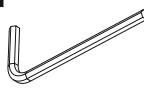
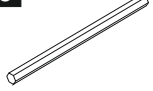
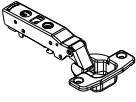
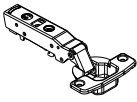




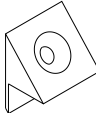

4

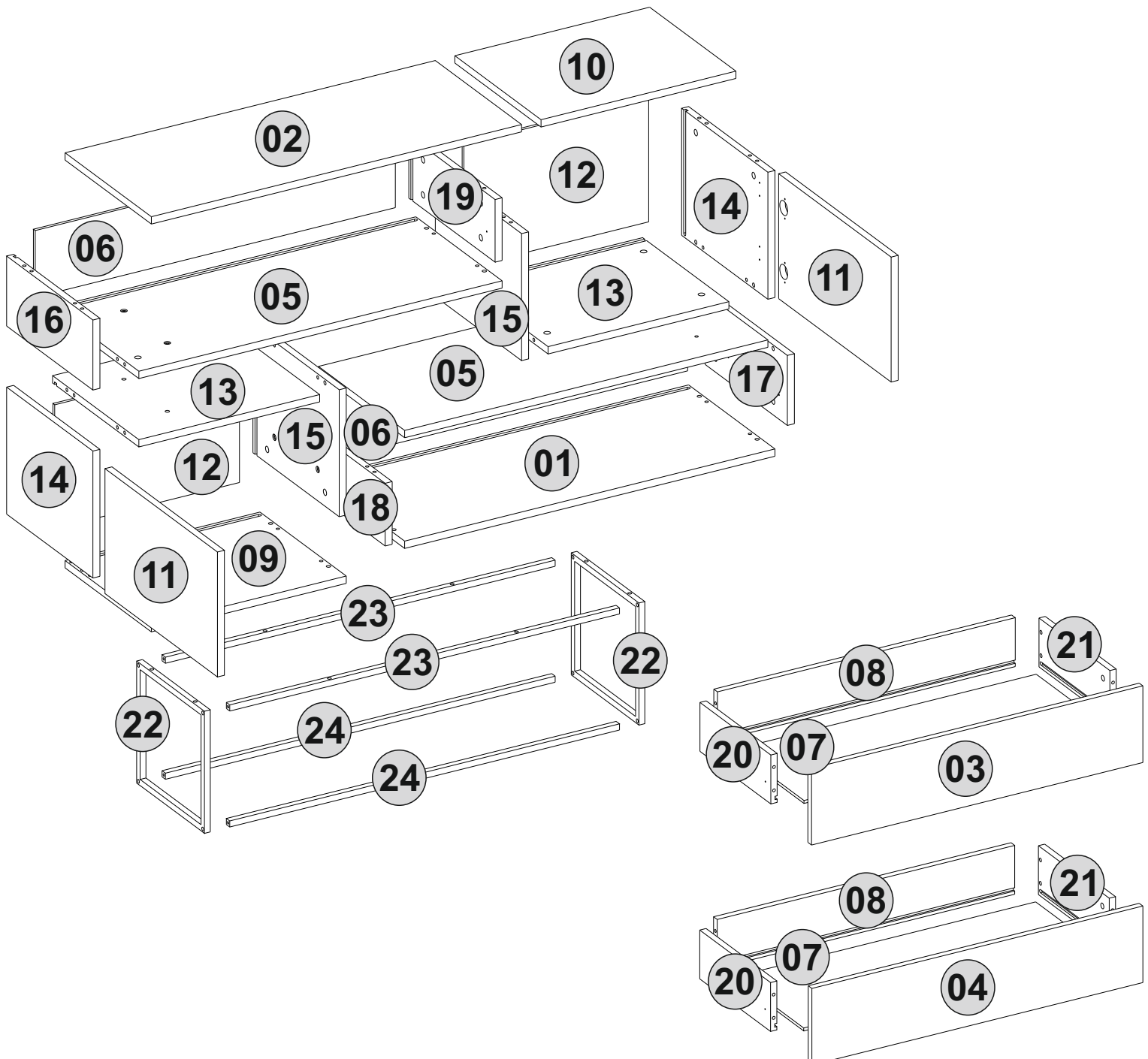


Follow the installation steps in the order as shown.  
Position the parts as shown in the installation guide steps.

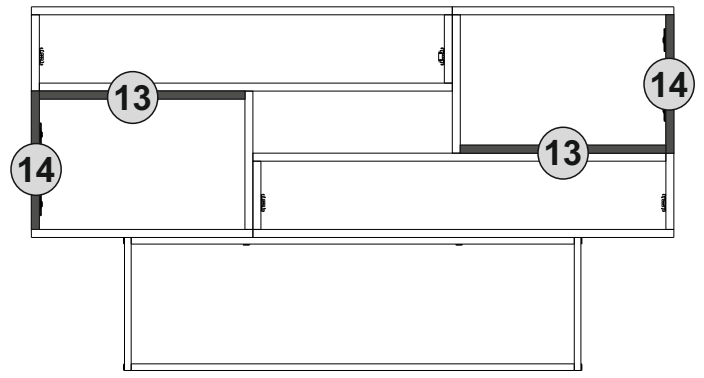
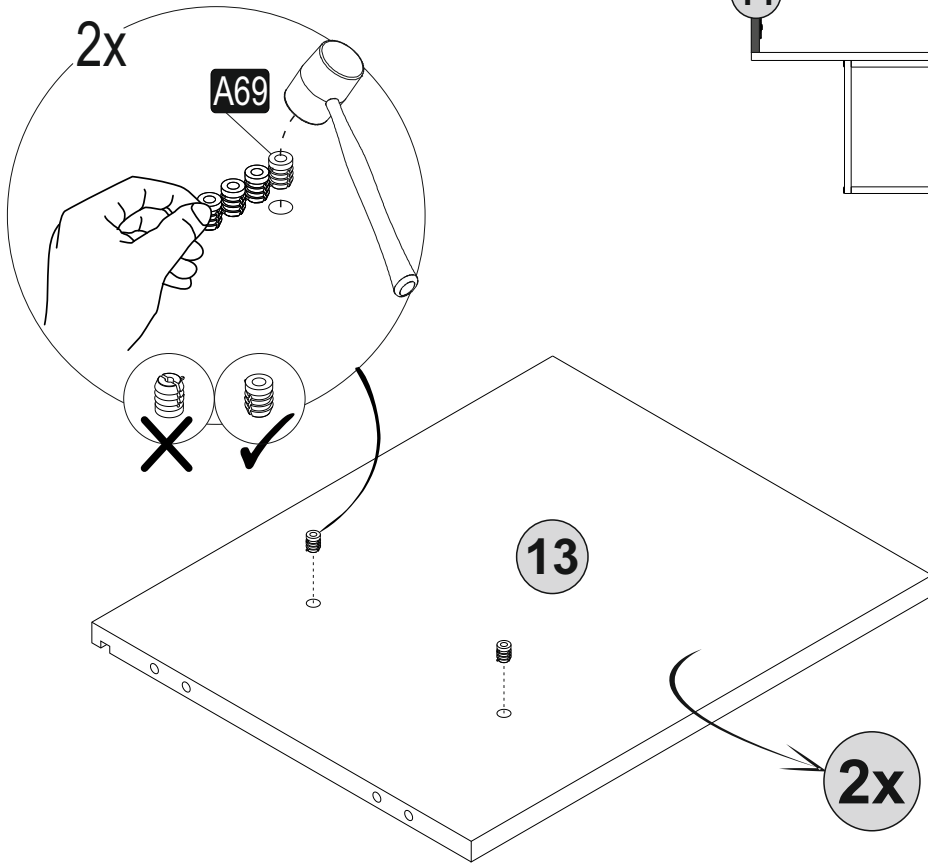


# ACCESSORY LIST

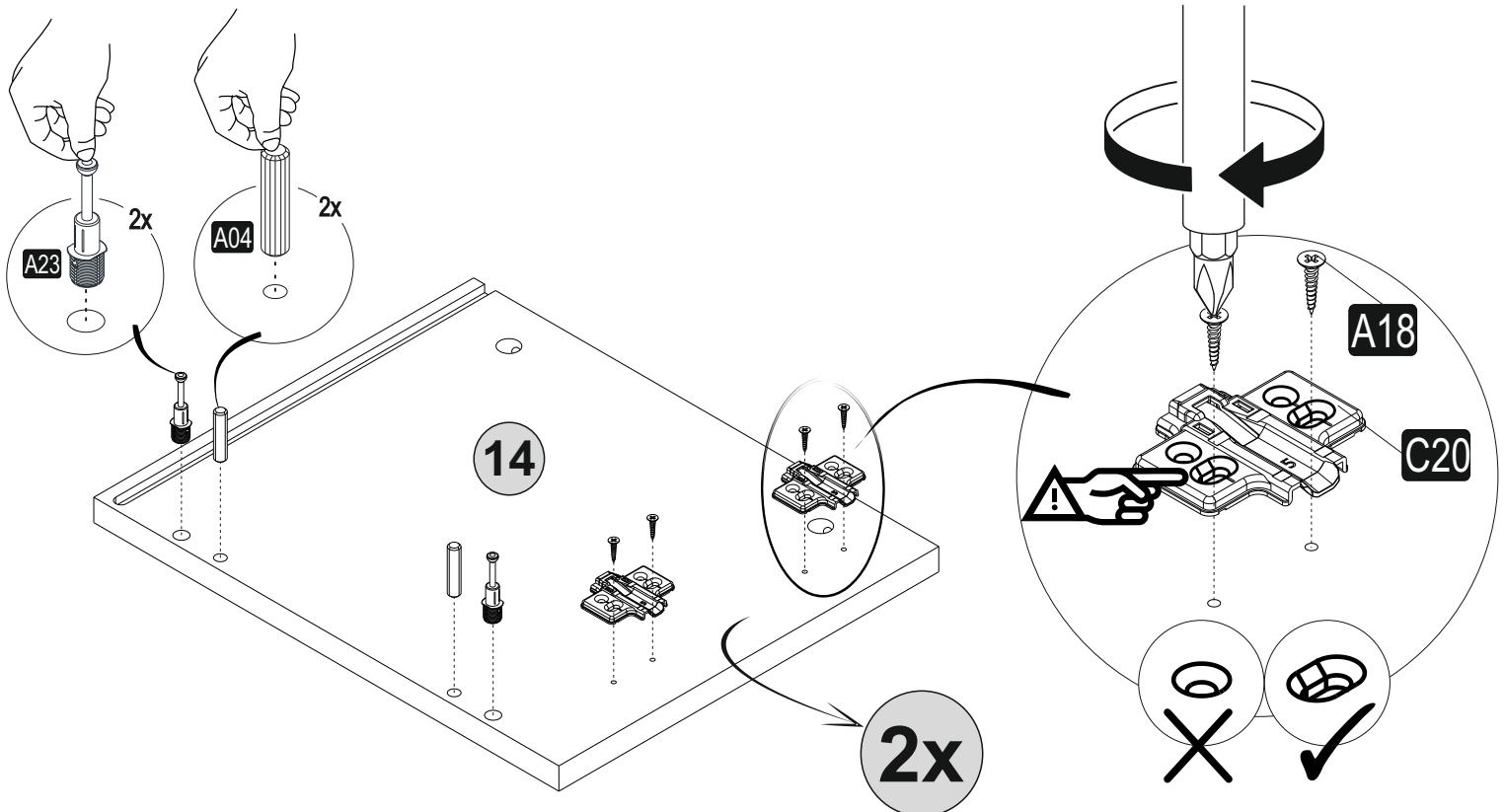
<b>A22</b> Minifix k18  48x	<b>A23</b> Minifix M10  48x	<b>A04</b> Ø8  32x	<b>A12</b> Allen  1x	<b>A26</b> Allen  1x
<b>C14</b> Dm(S)  2x	<b>C17</b> DmF(S)  2x	<b>C20</b> Mtk(S)  4x	<b>A18</b> 3,5x18  52x	<b>A69</b> P.D.  16x
<b>A06</b> 18mm  C1-20x C2-20x	<b>A25</b> ARK.PL  28x	<b>B13</b> 16x 25 (black)mm  24x		



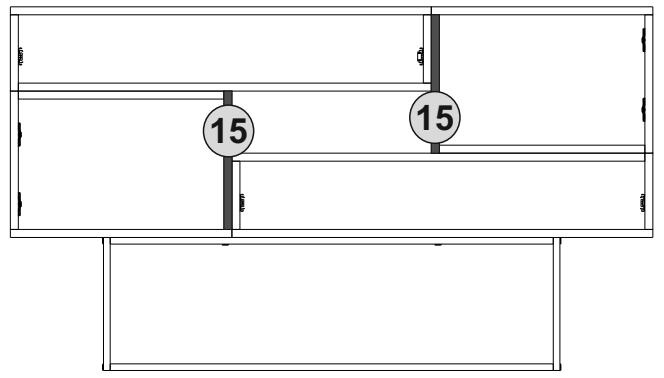
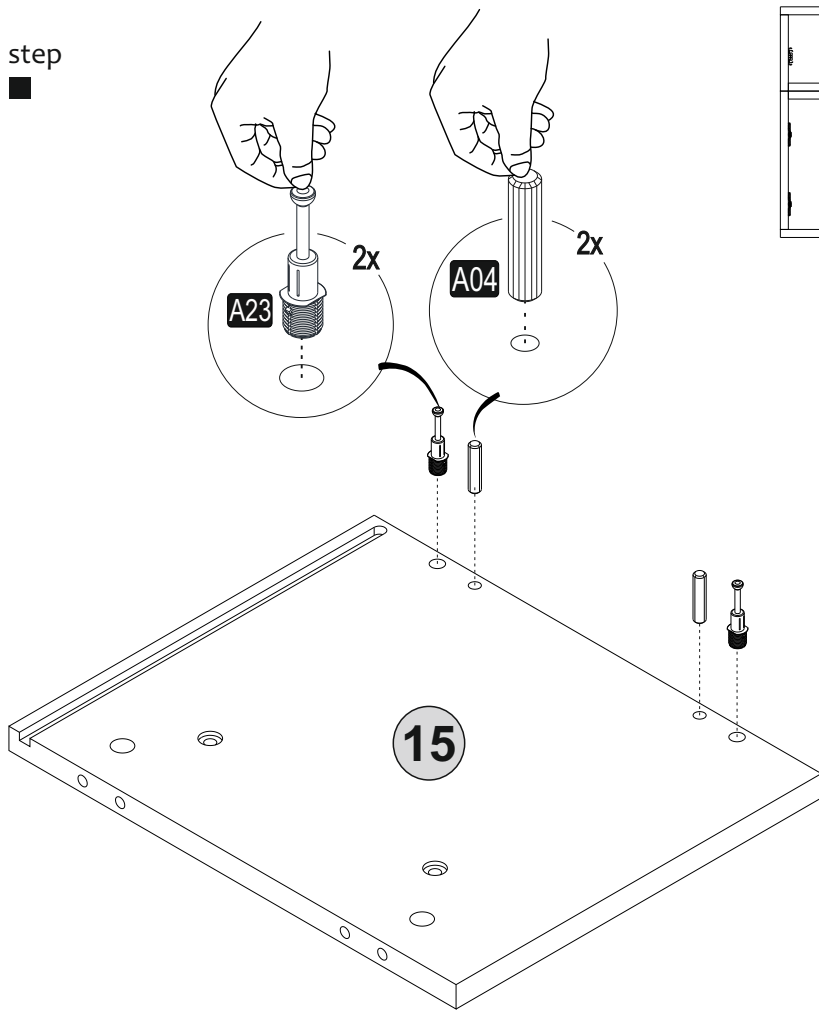
# 1. step



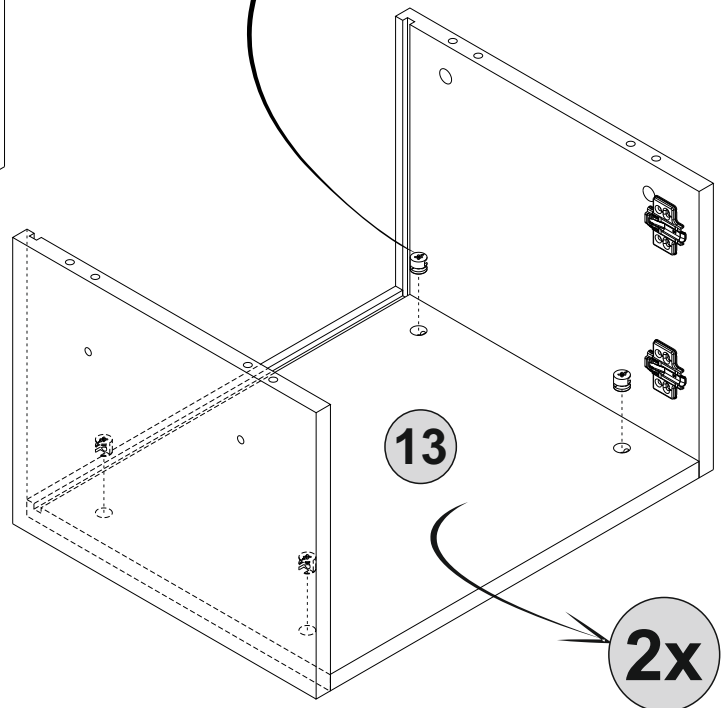
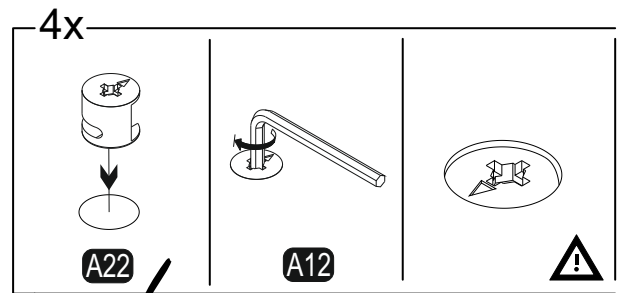
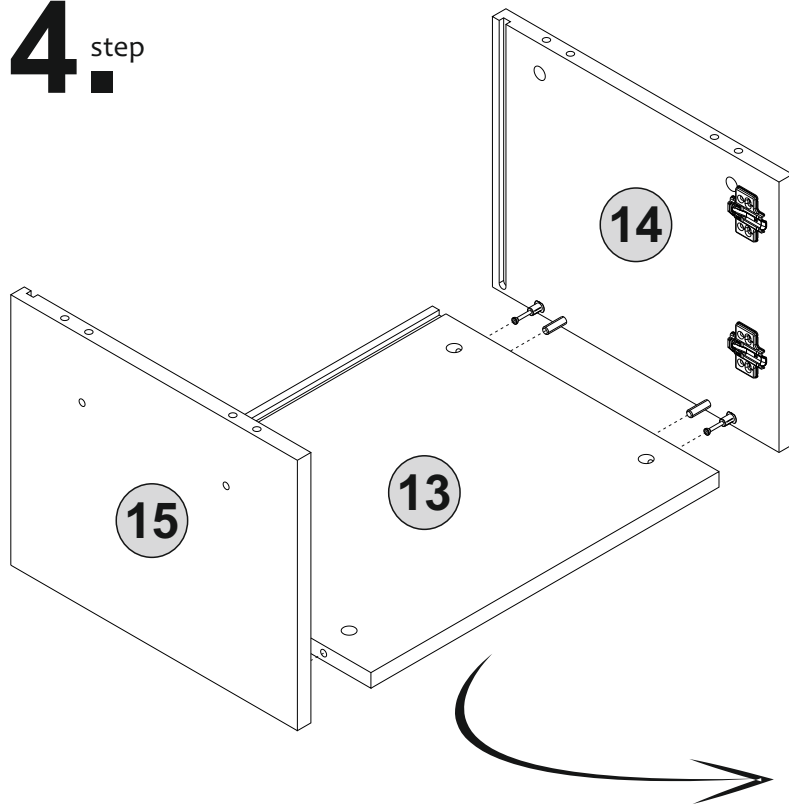
# 2. step



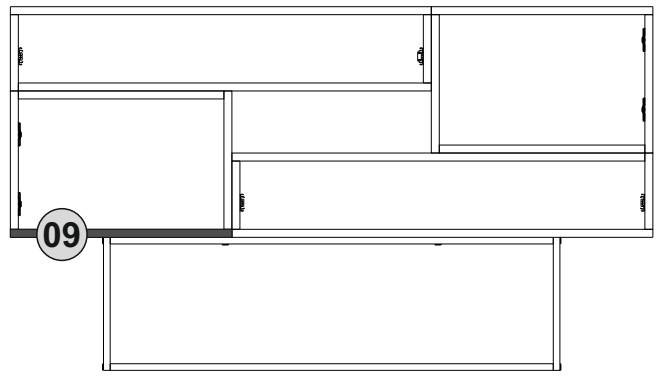
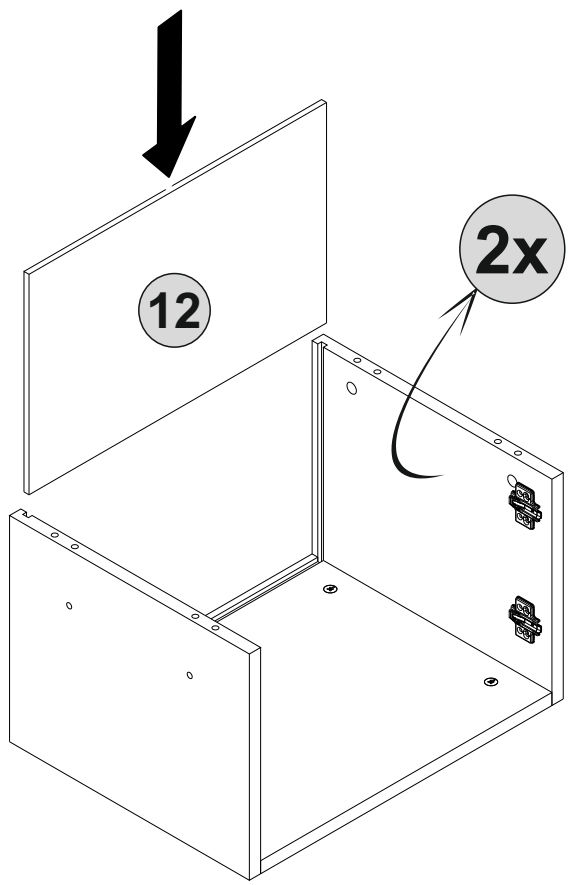
# 3 step



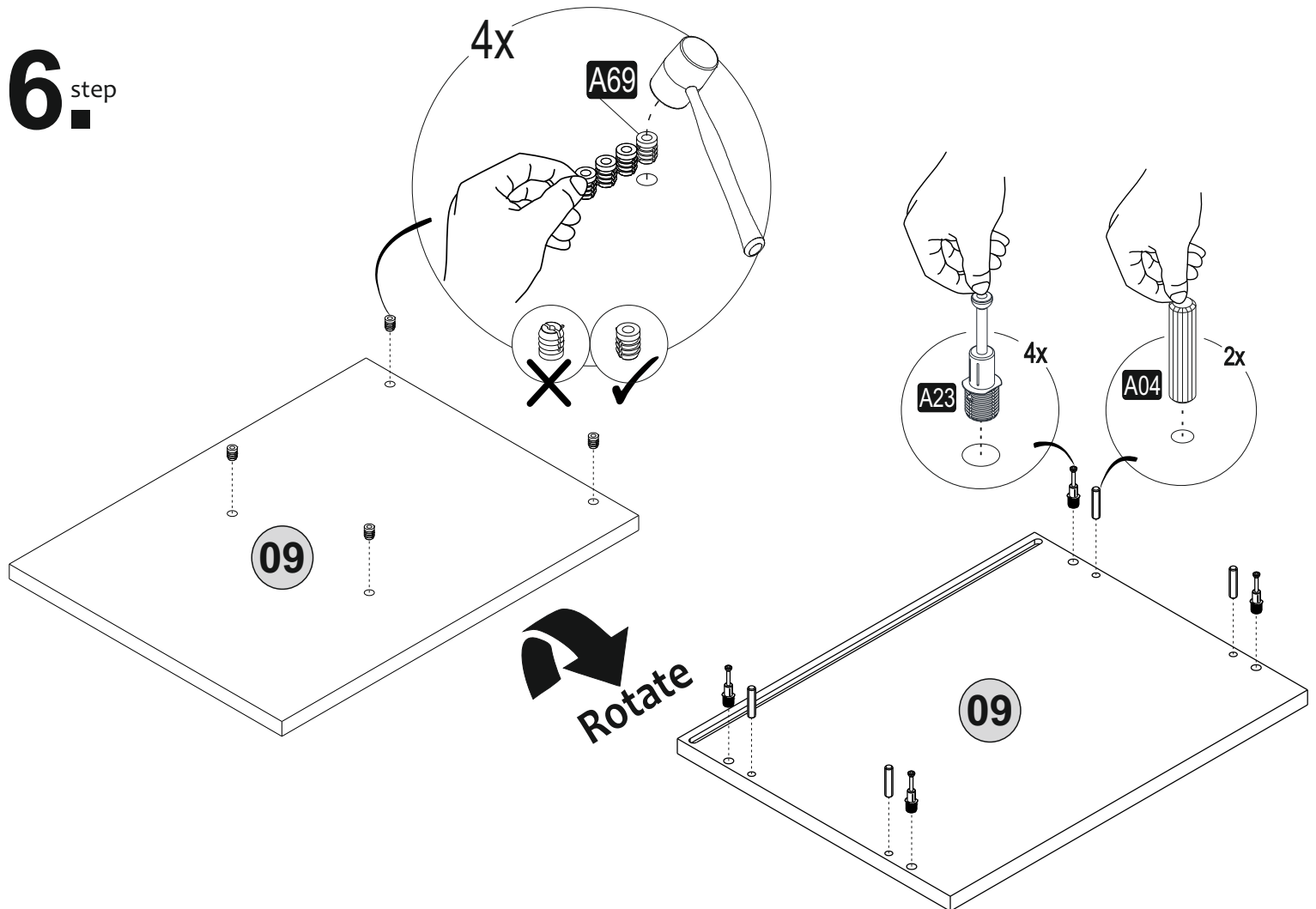
# 4 step



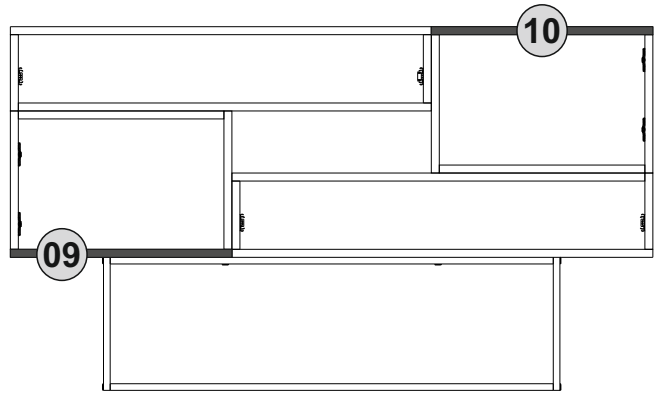
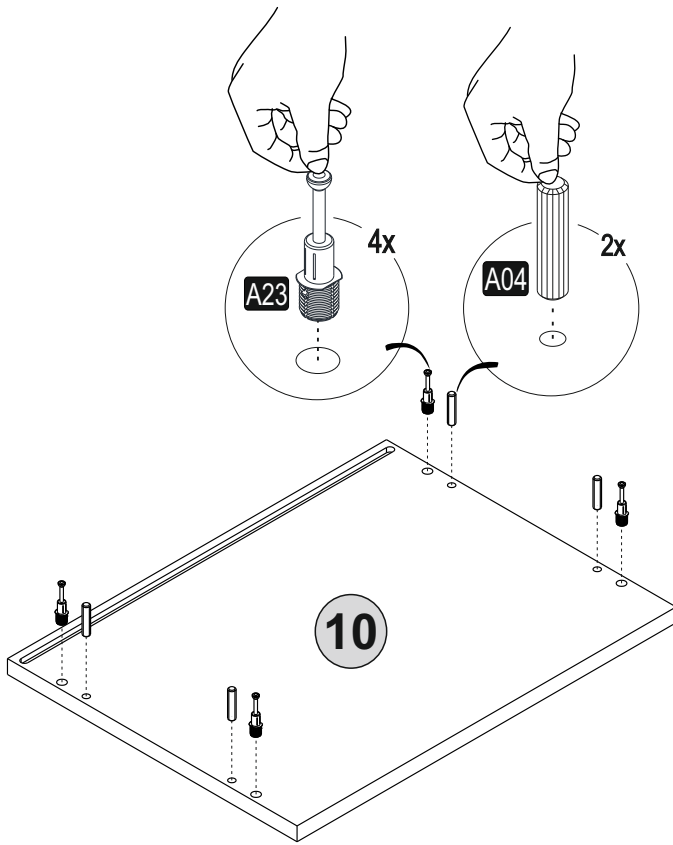
# 5<sup>step</sup>



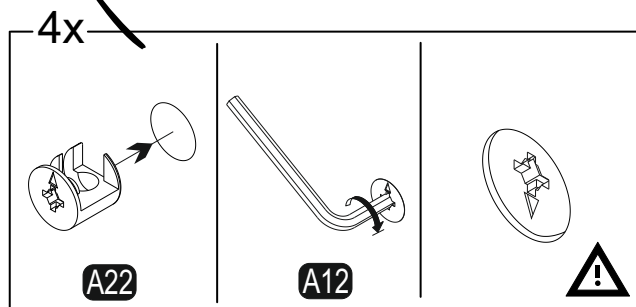
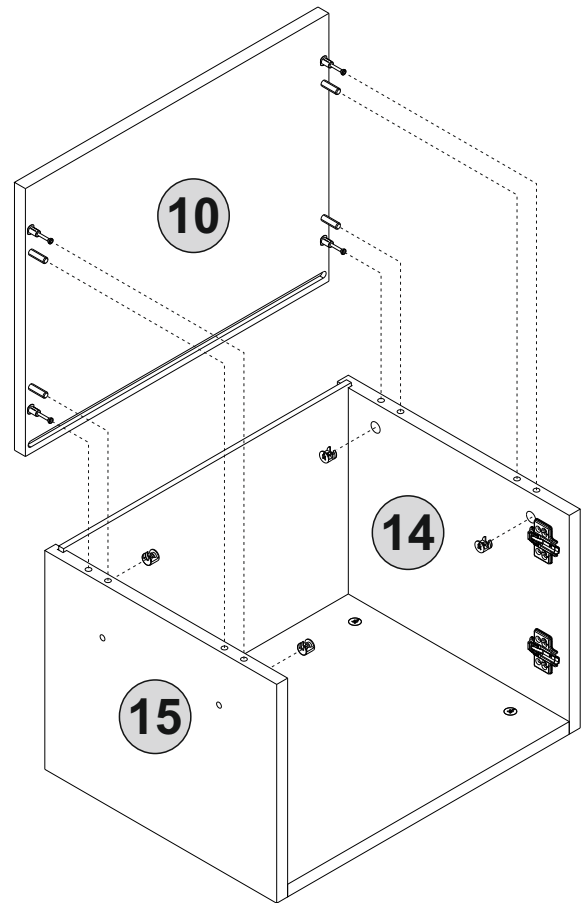
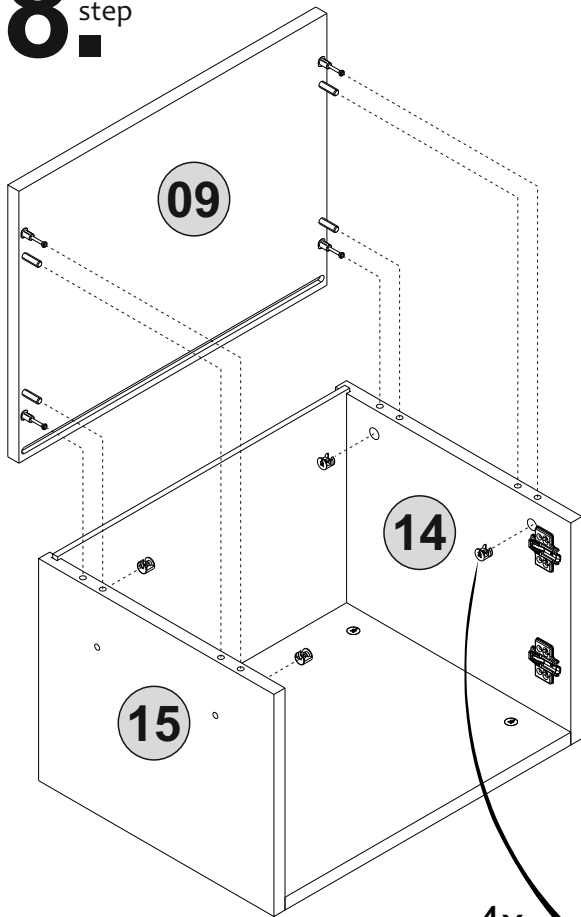
# 6<sup>step</sup>



# 7. step

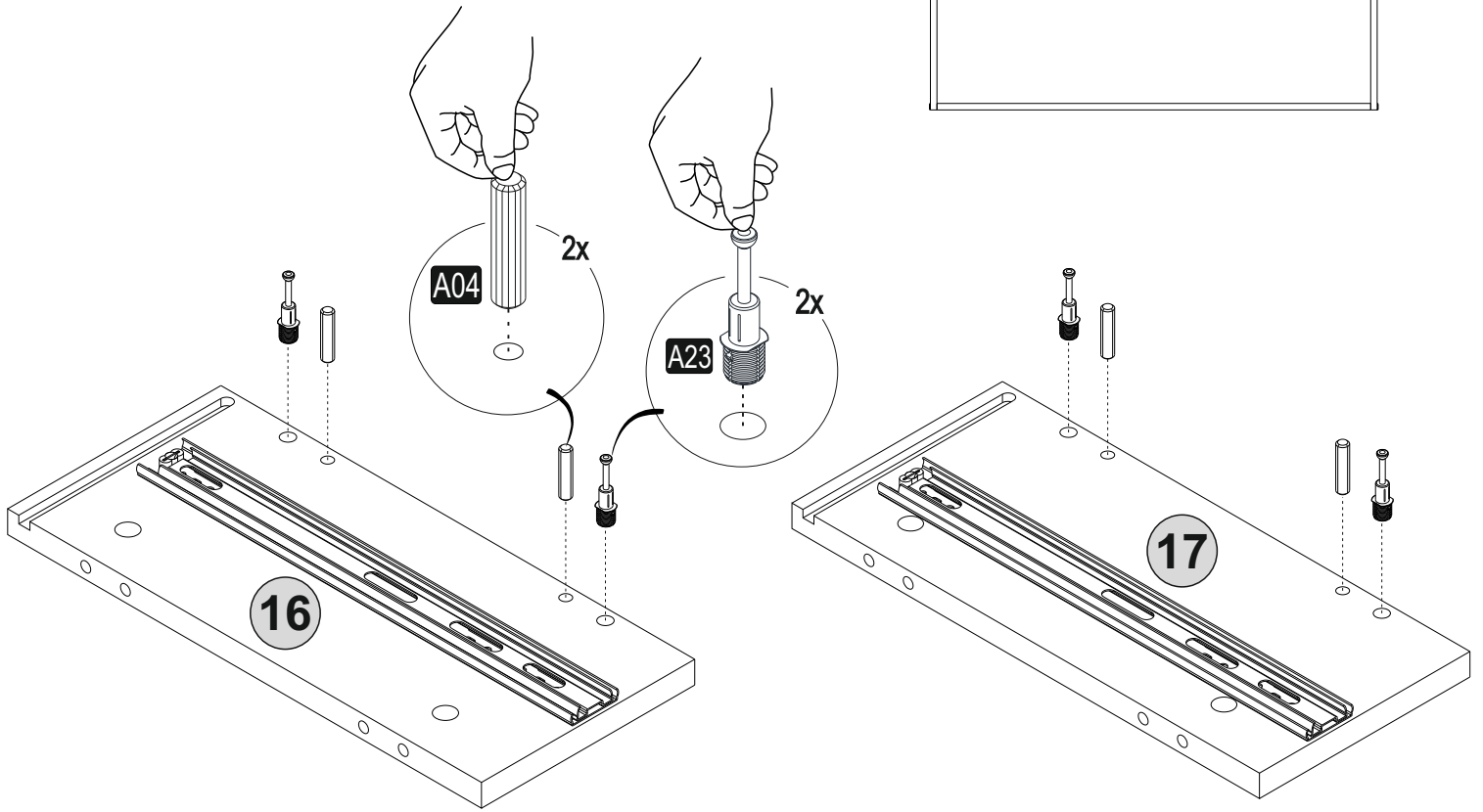
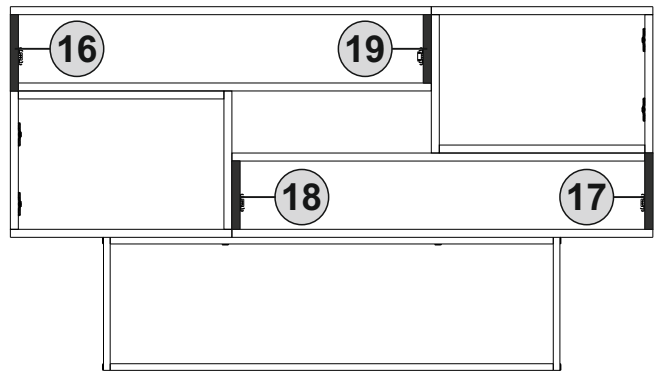


# 8. step

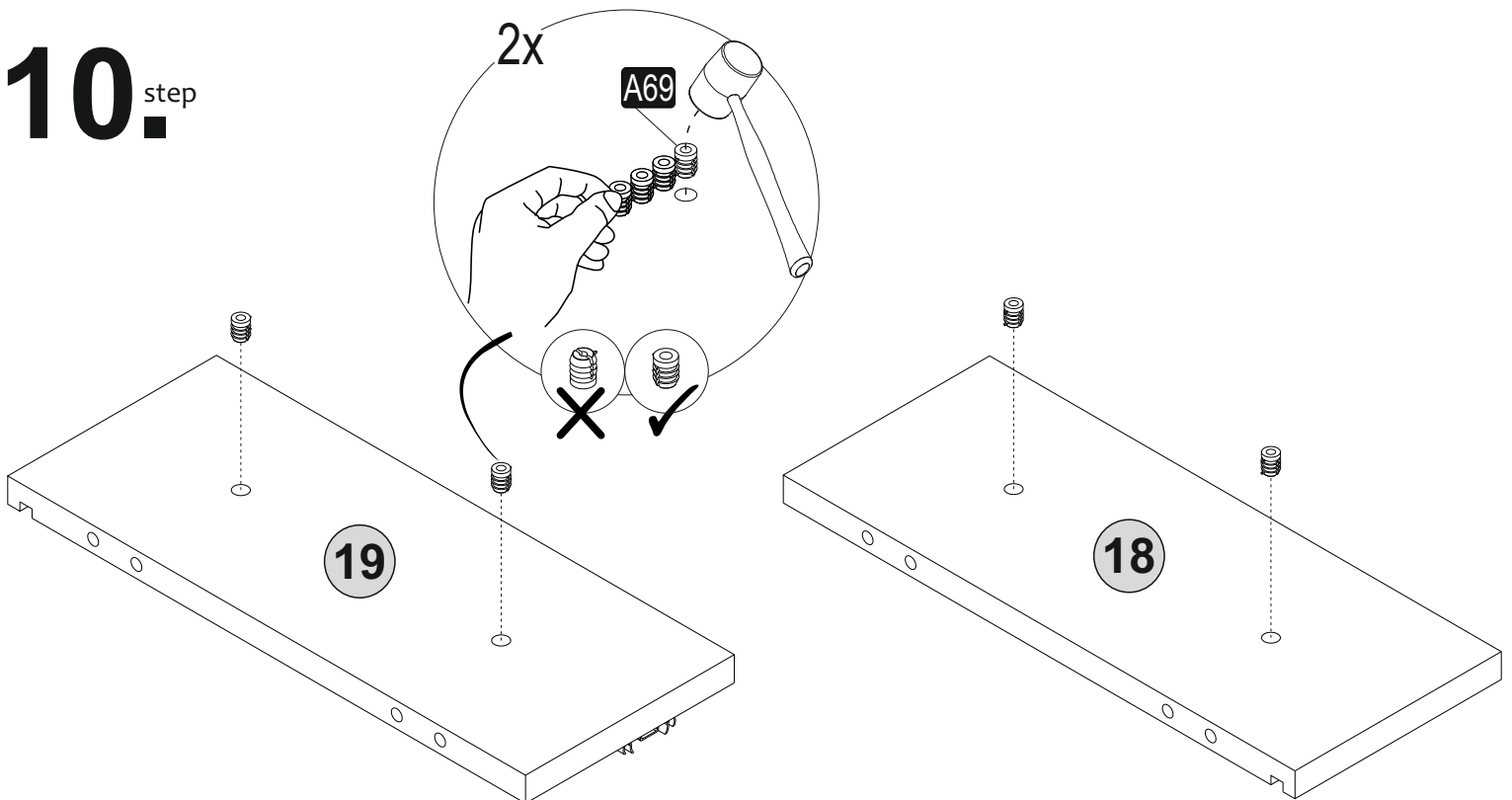




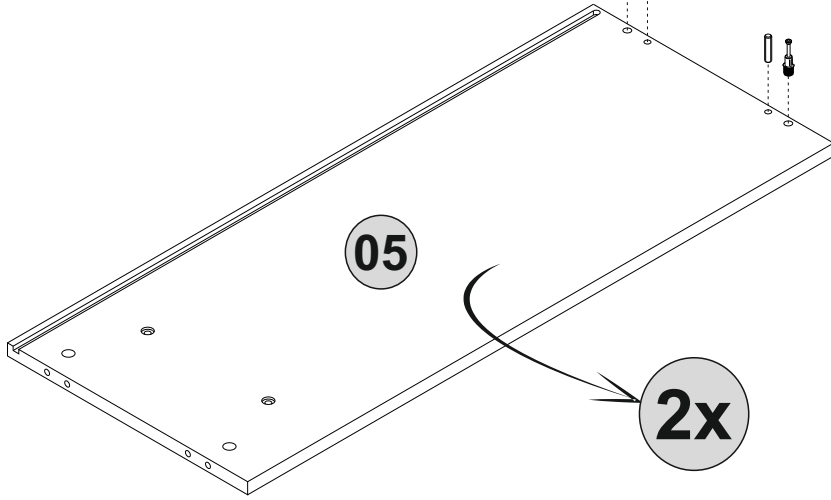
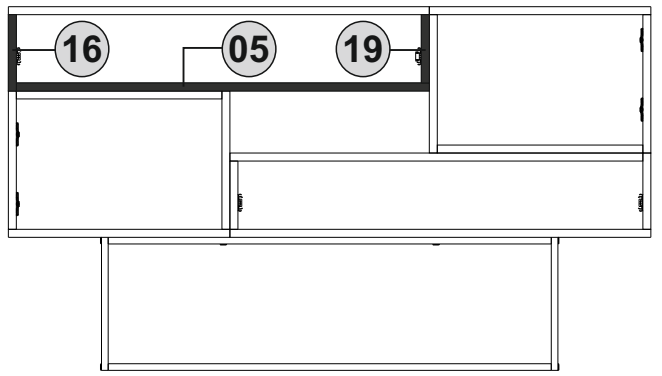
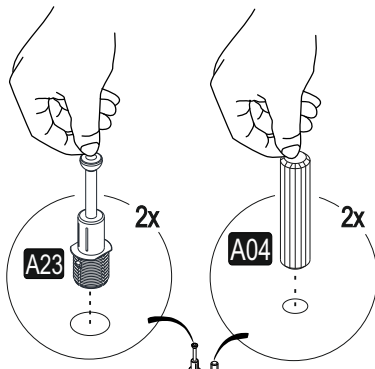
# 9<sup>step</sup>



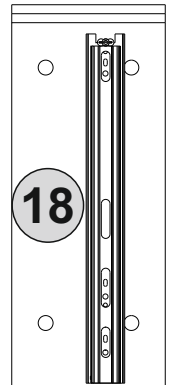
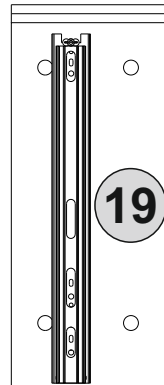
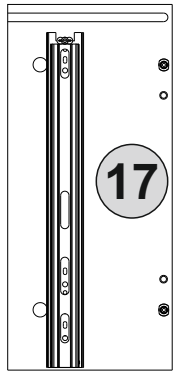
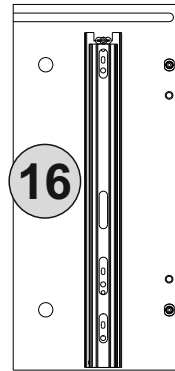
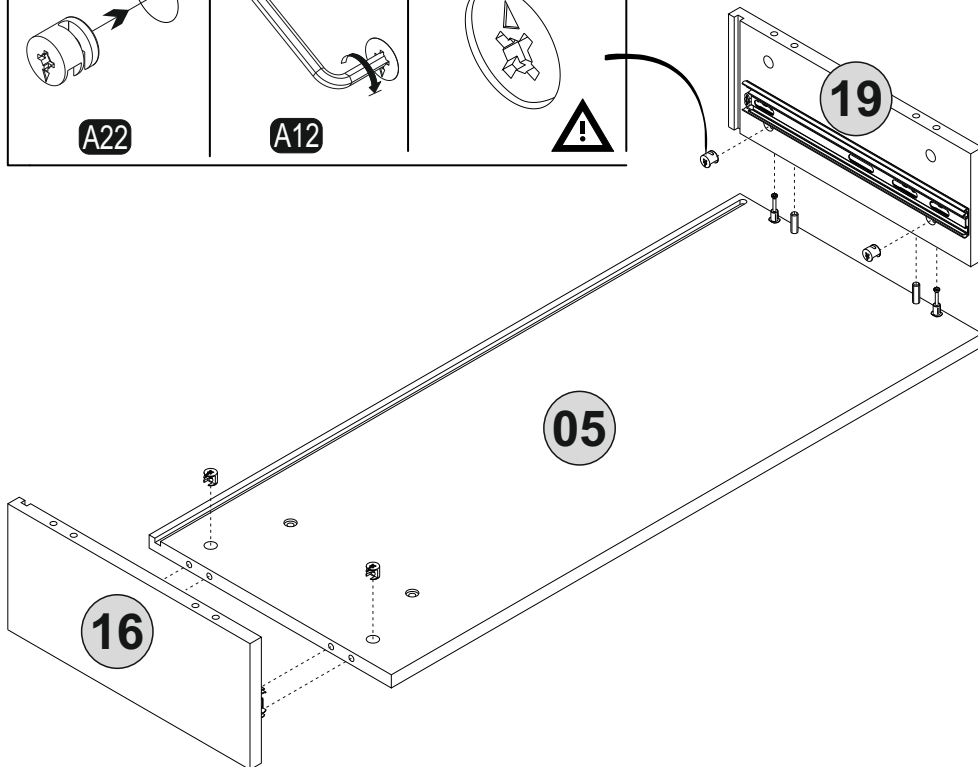
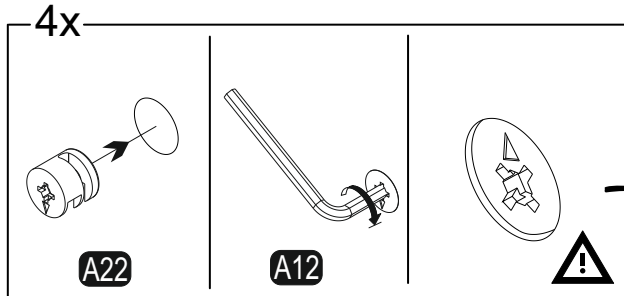
# 10<sup>step</sup>



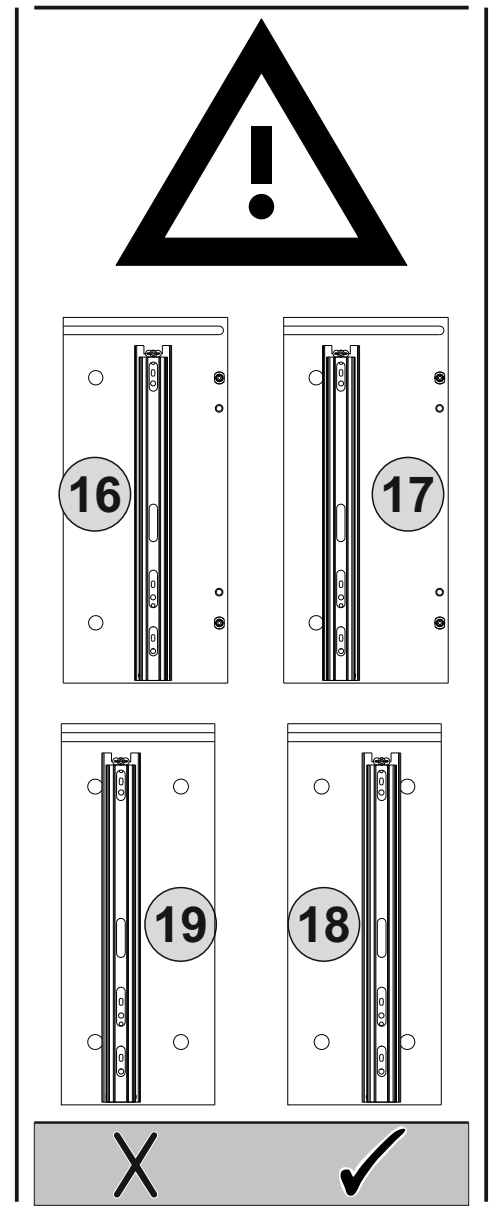
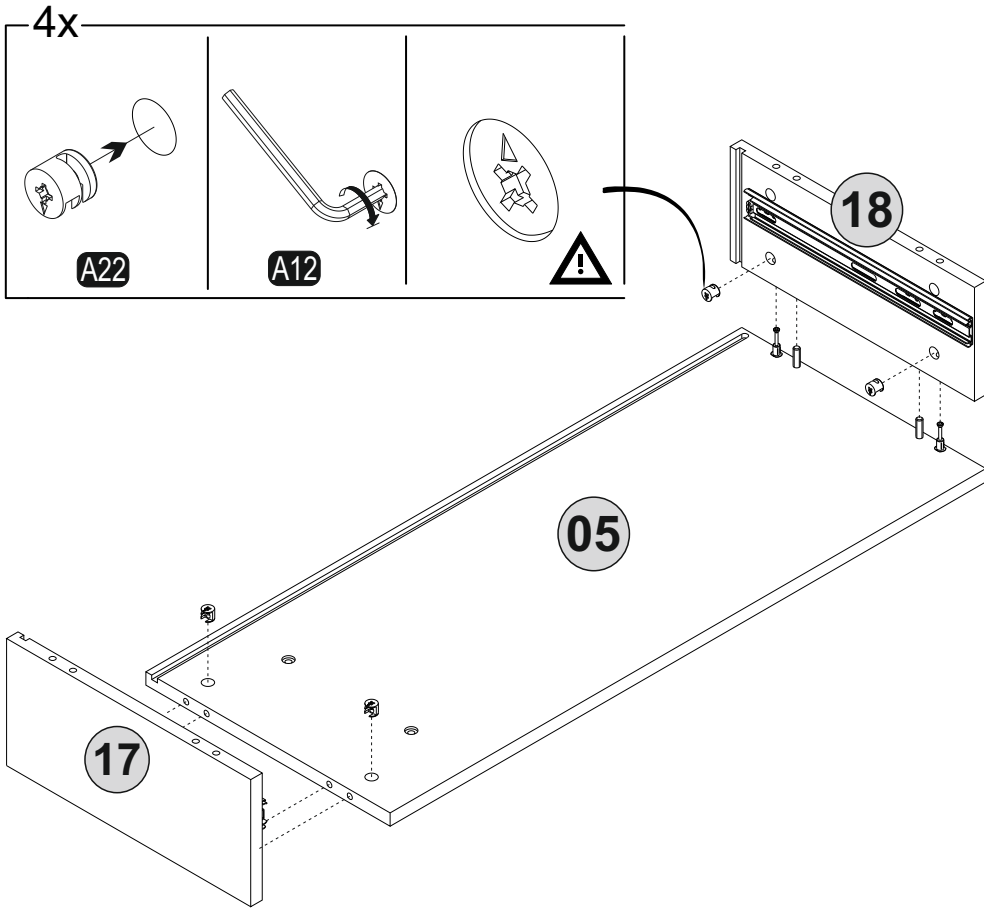
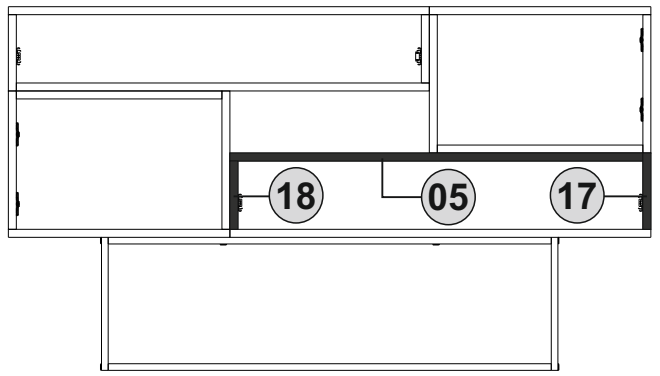
# 11. step



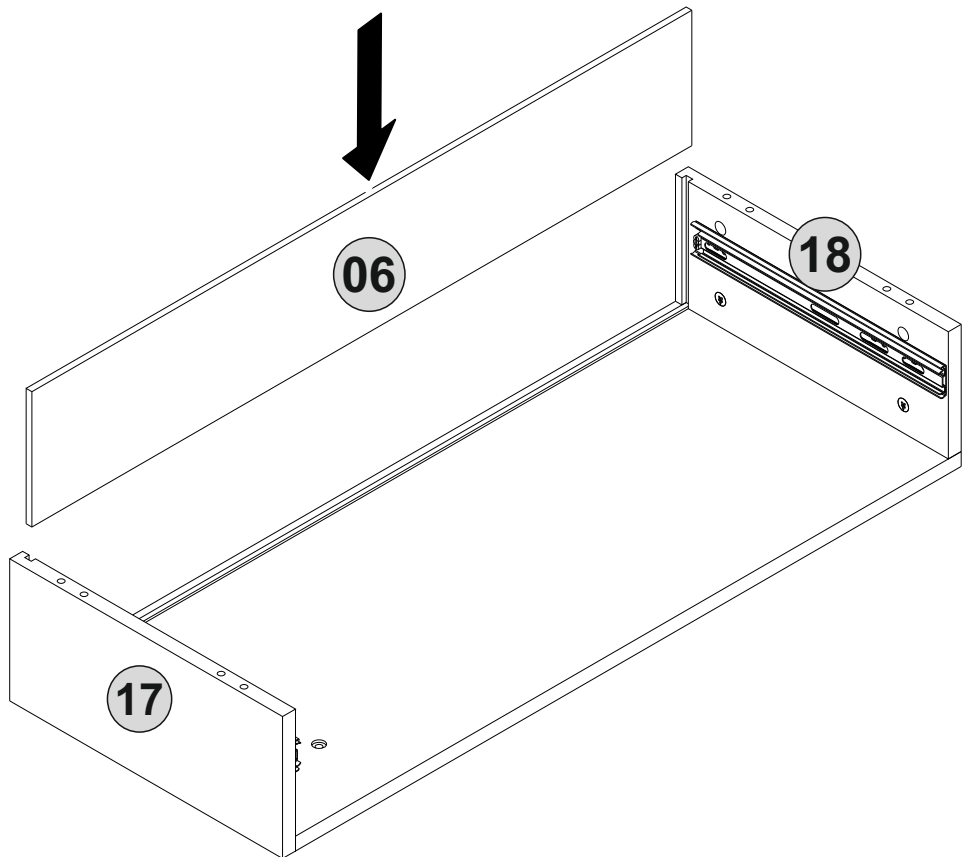
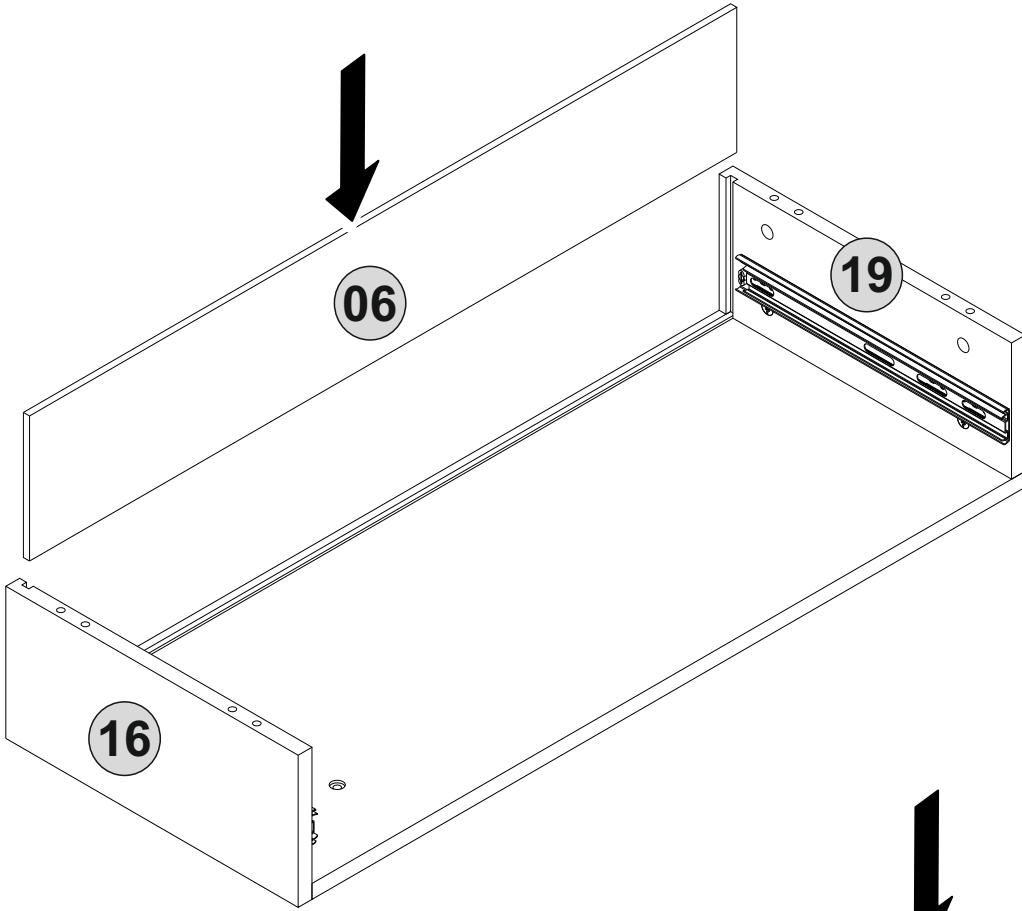
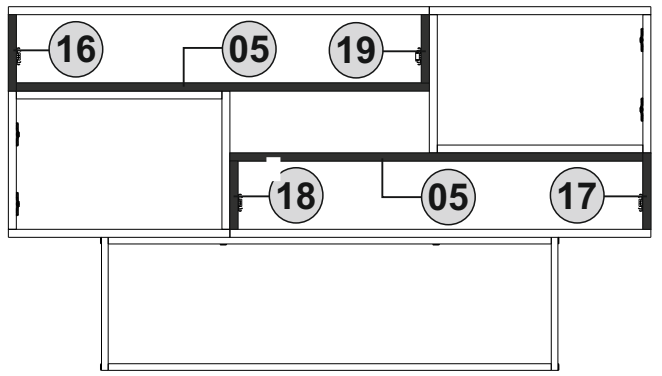
# 12. step



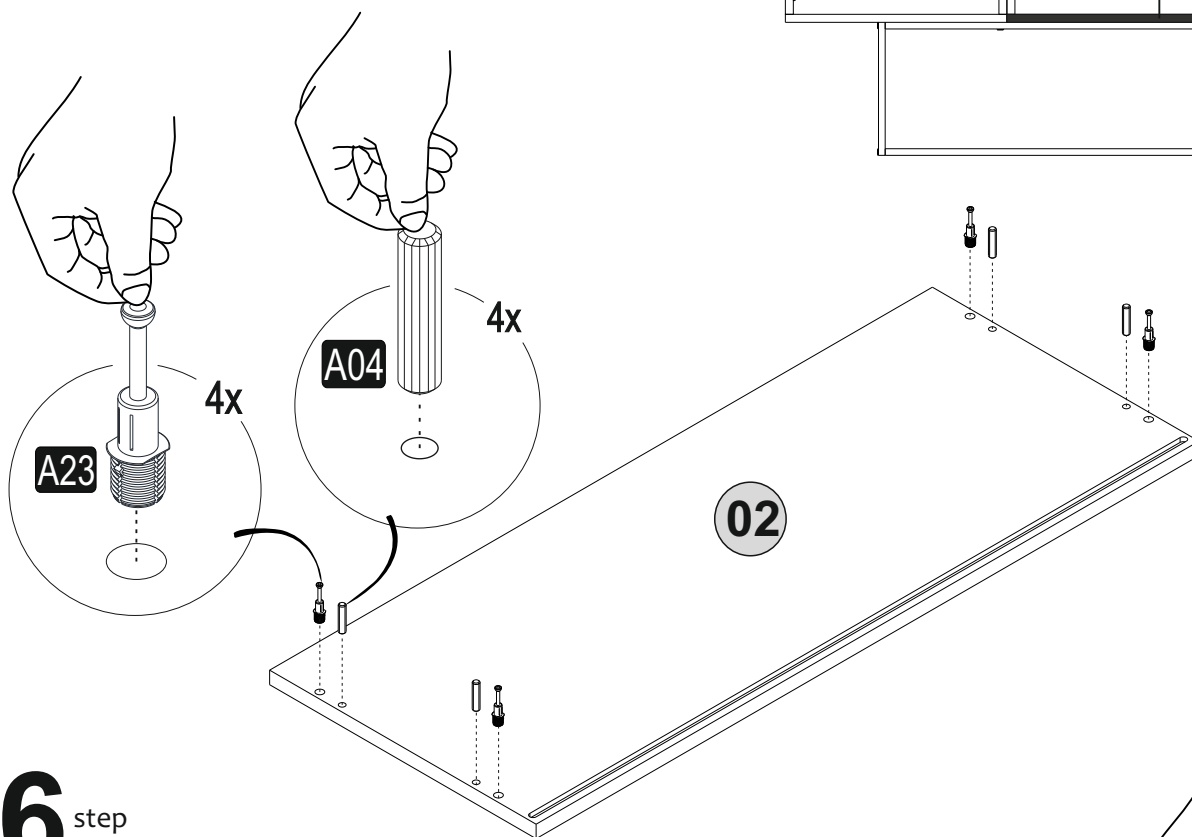
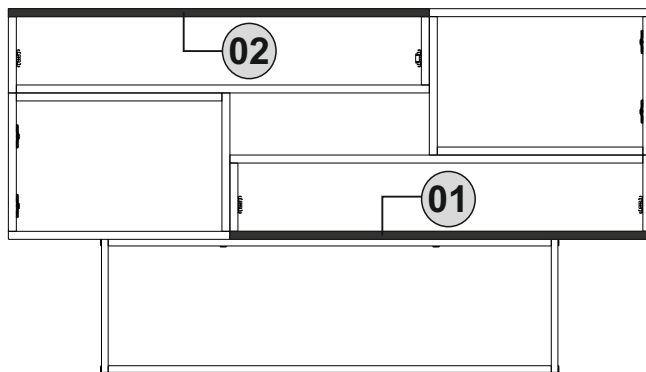
# 13. step



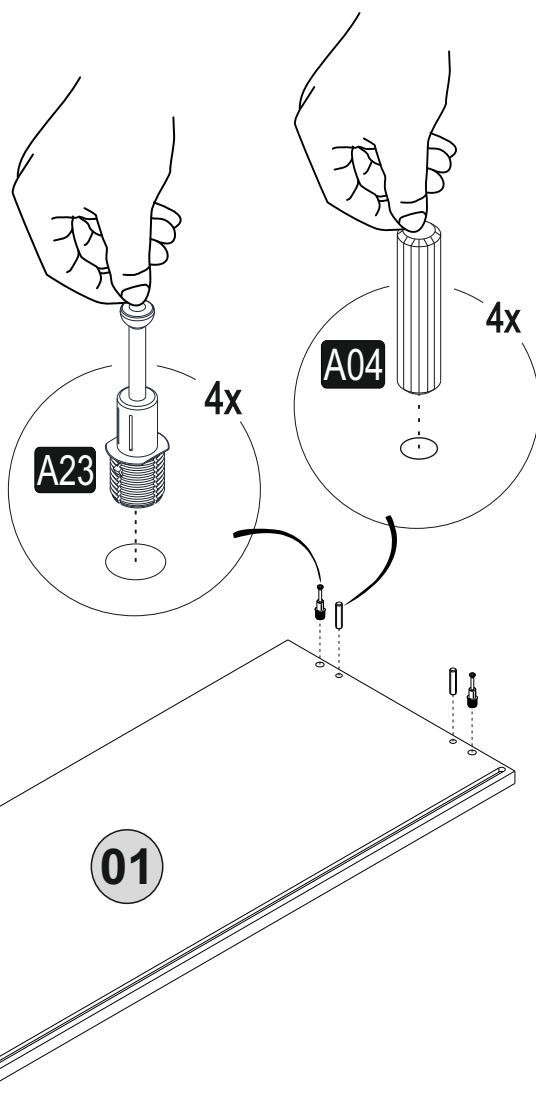
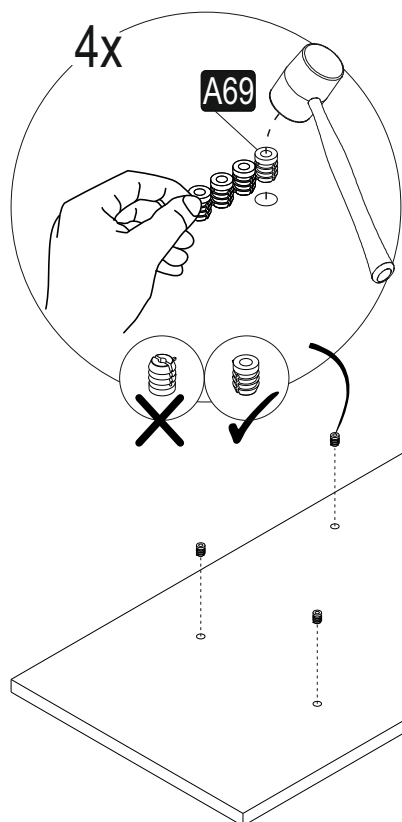
# 14.<sup>step</sup>



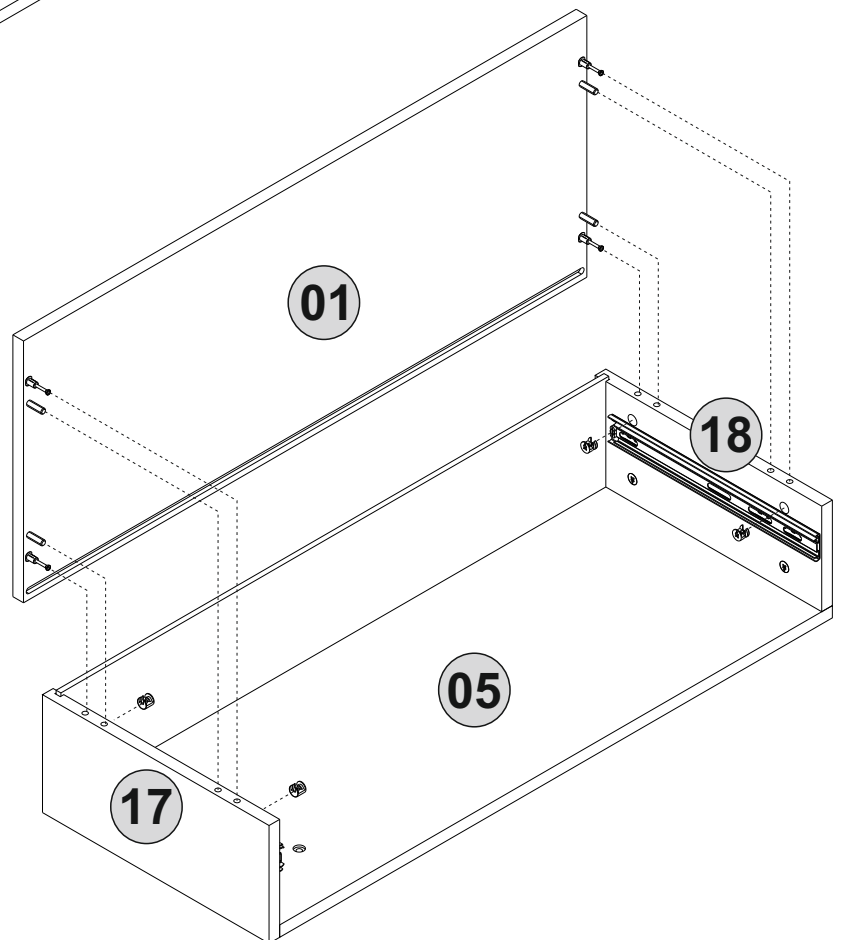
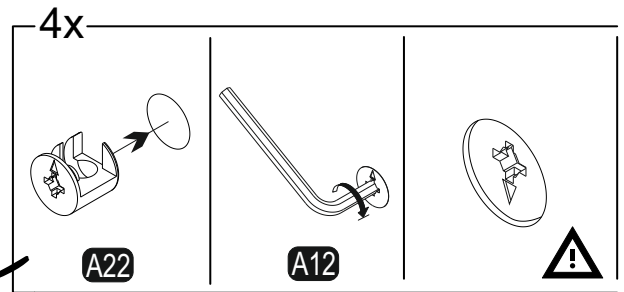
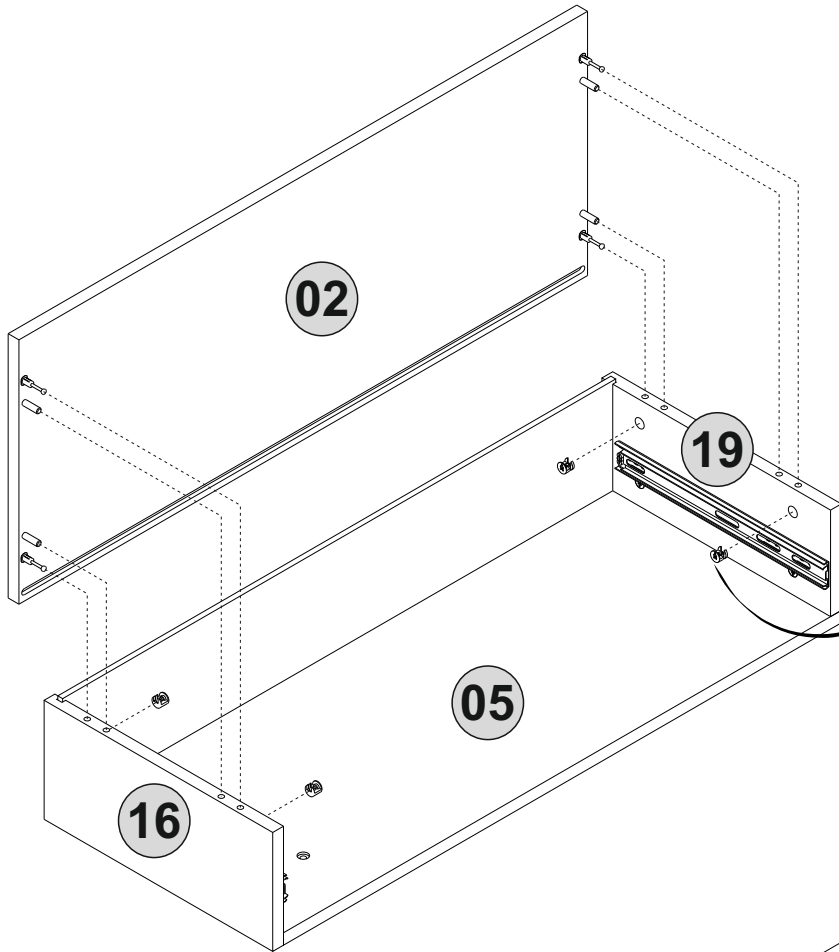
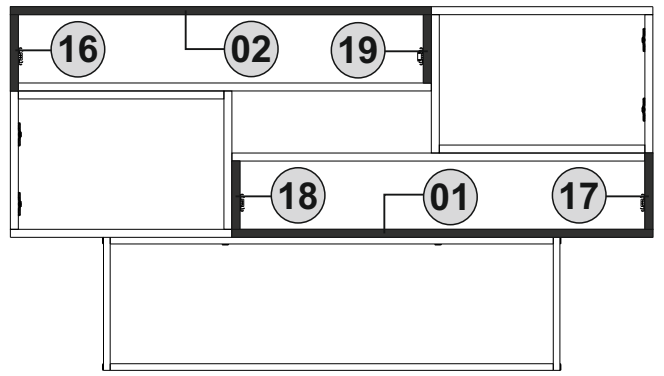
# 15.<sup>step</sup>



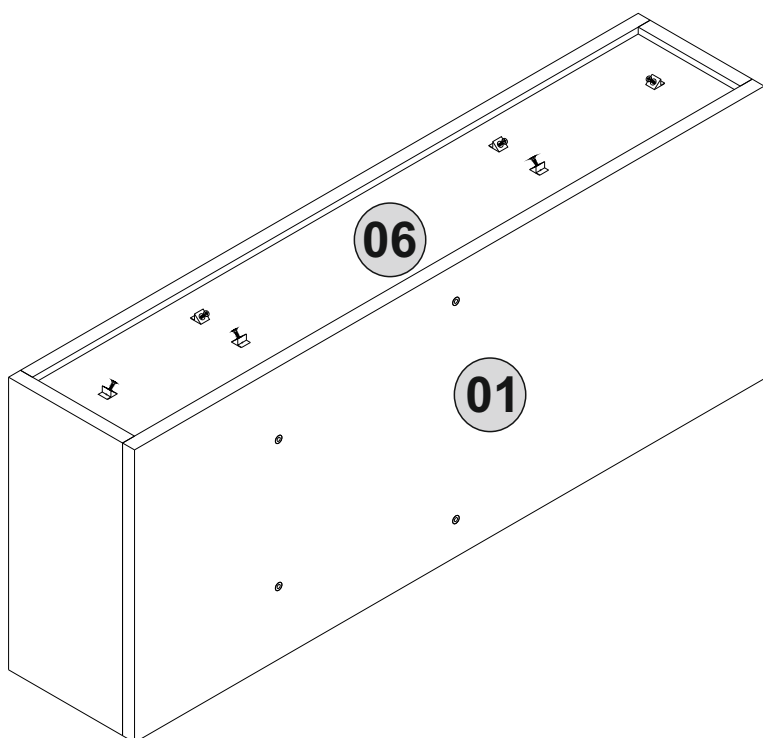
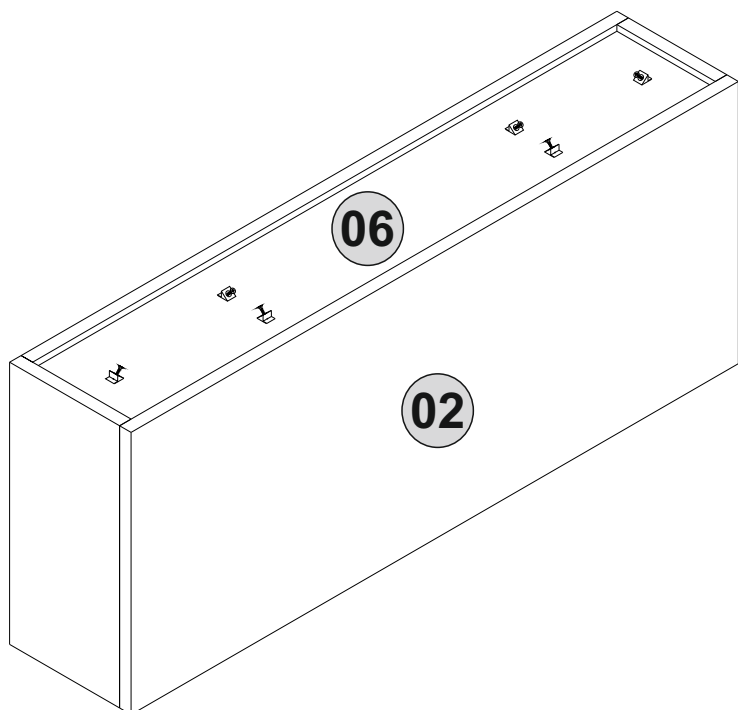
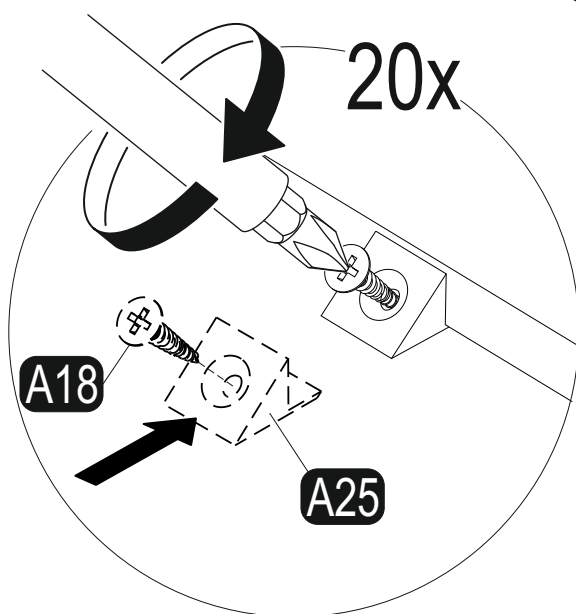
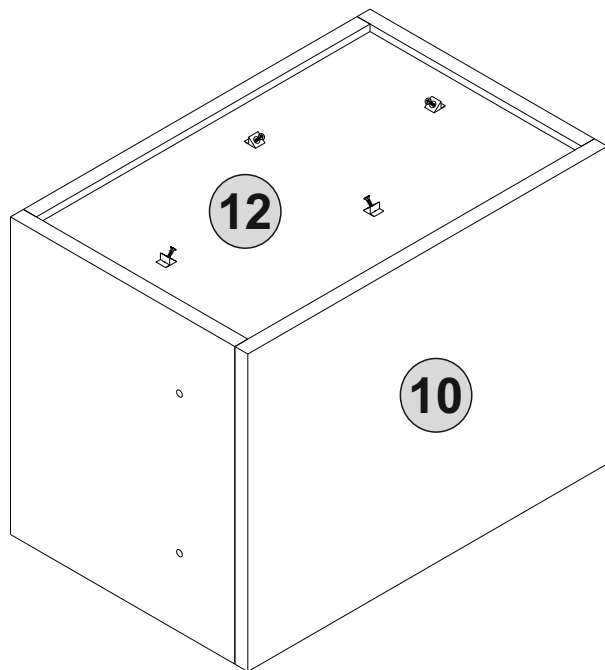
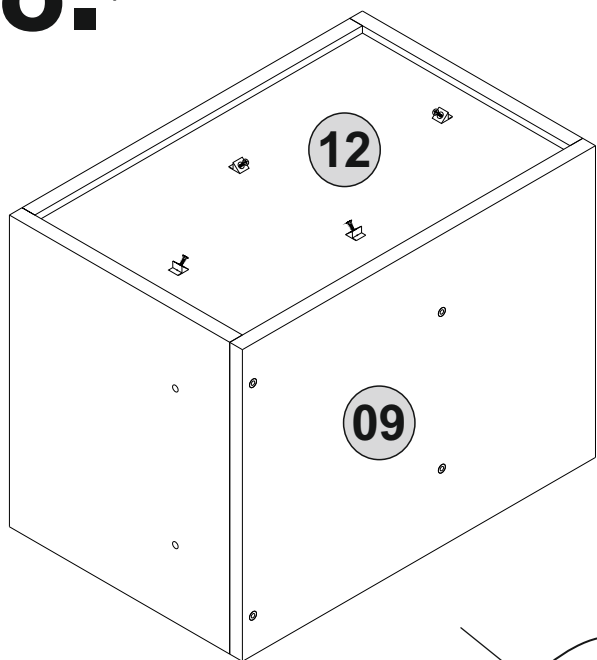
# 16.<sup>step</sup>



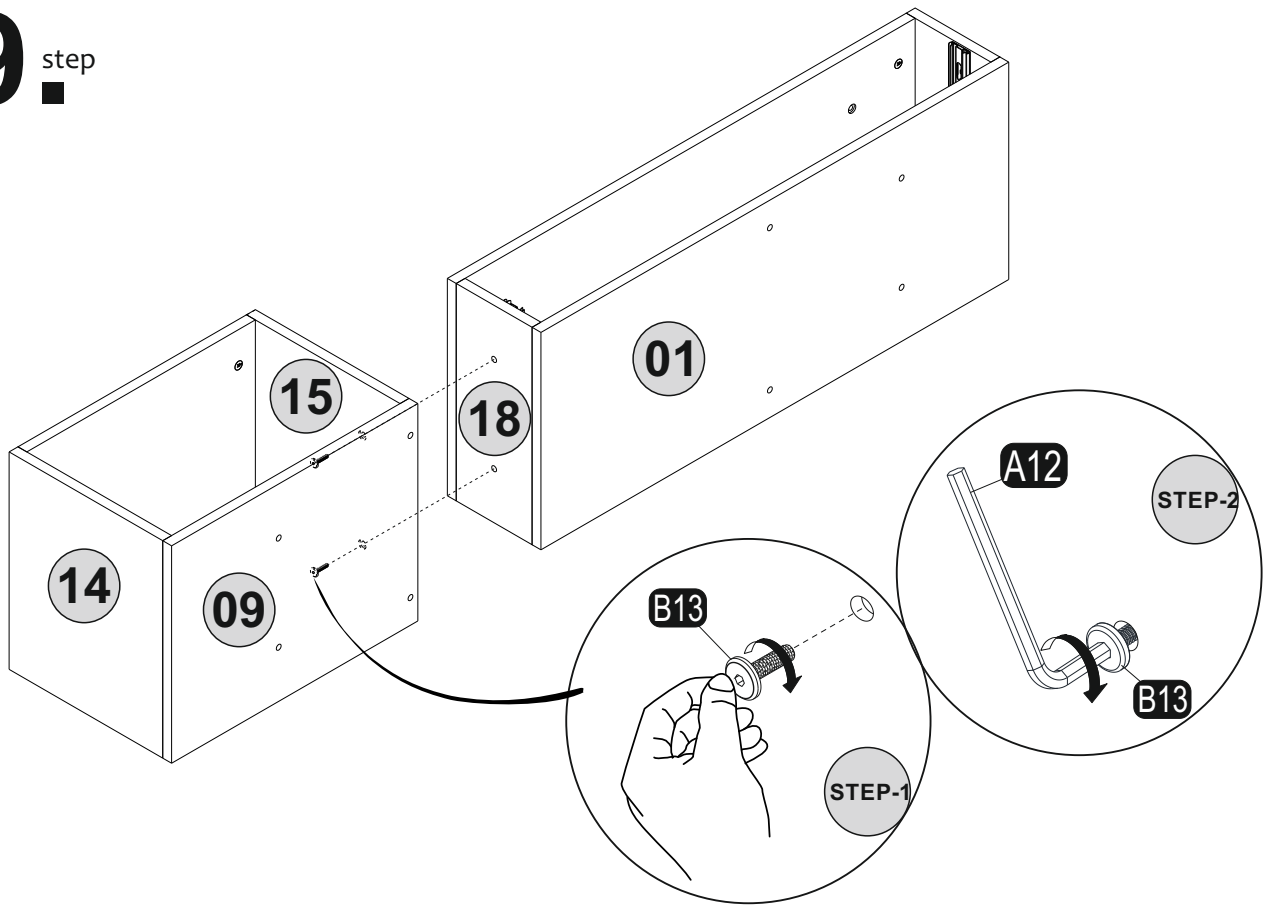
# 17. step



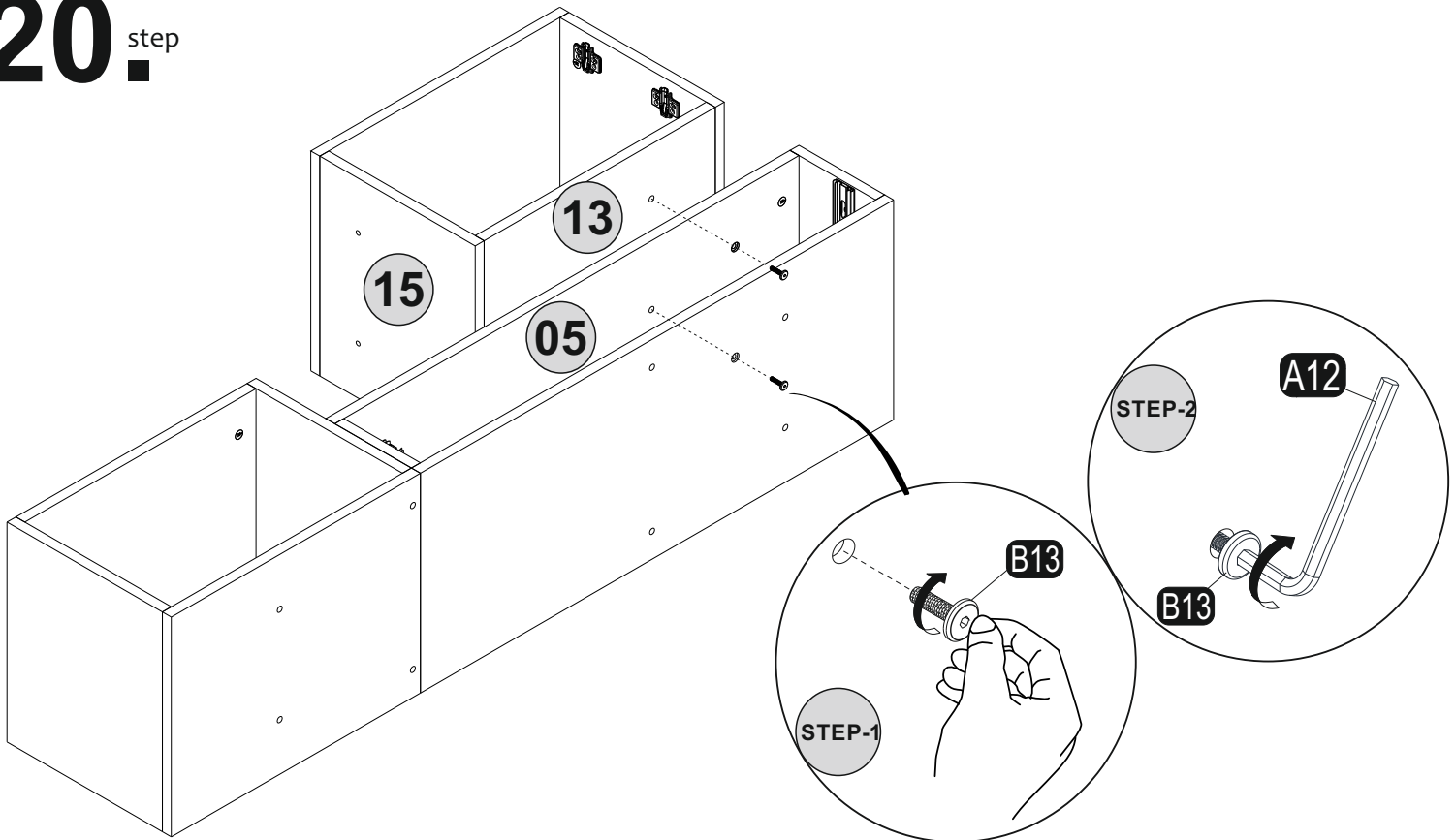
# 18<sup>step</sup>



# 19.<sup>step</sup>

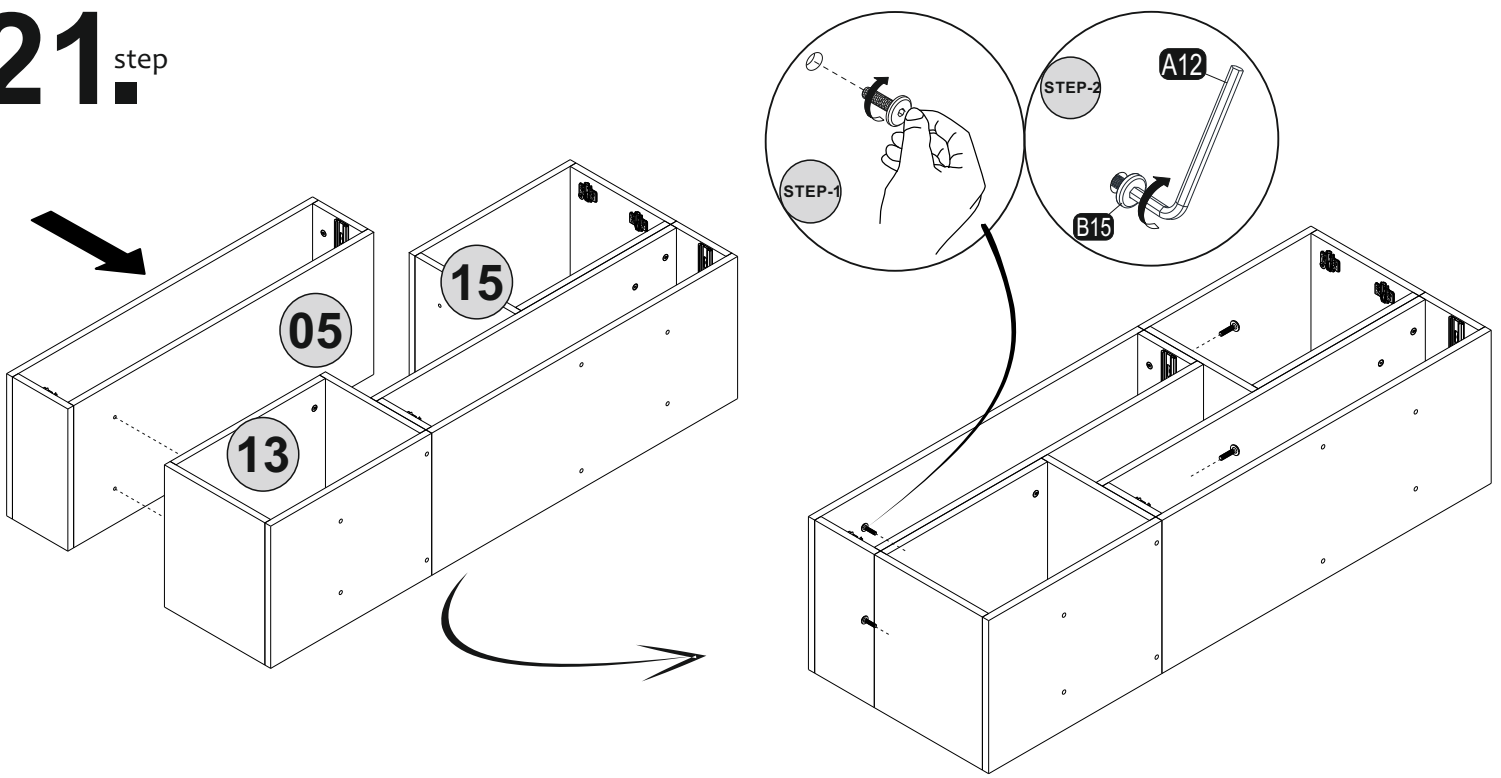


# 20.<sup>step</sup>

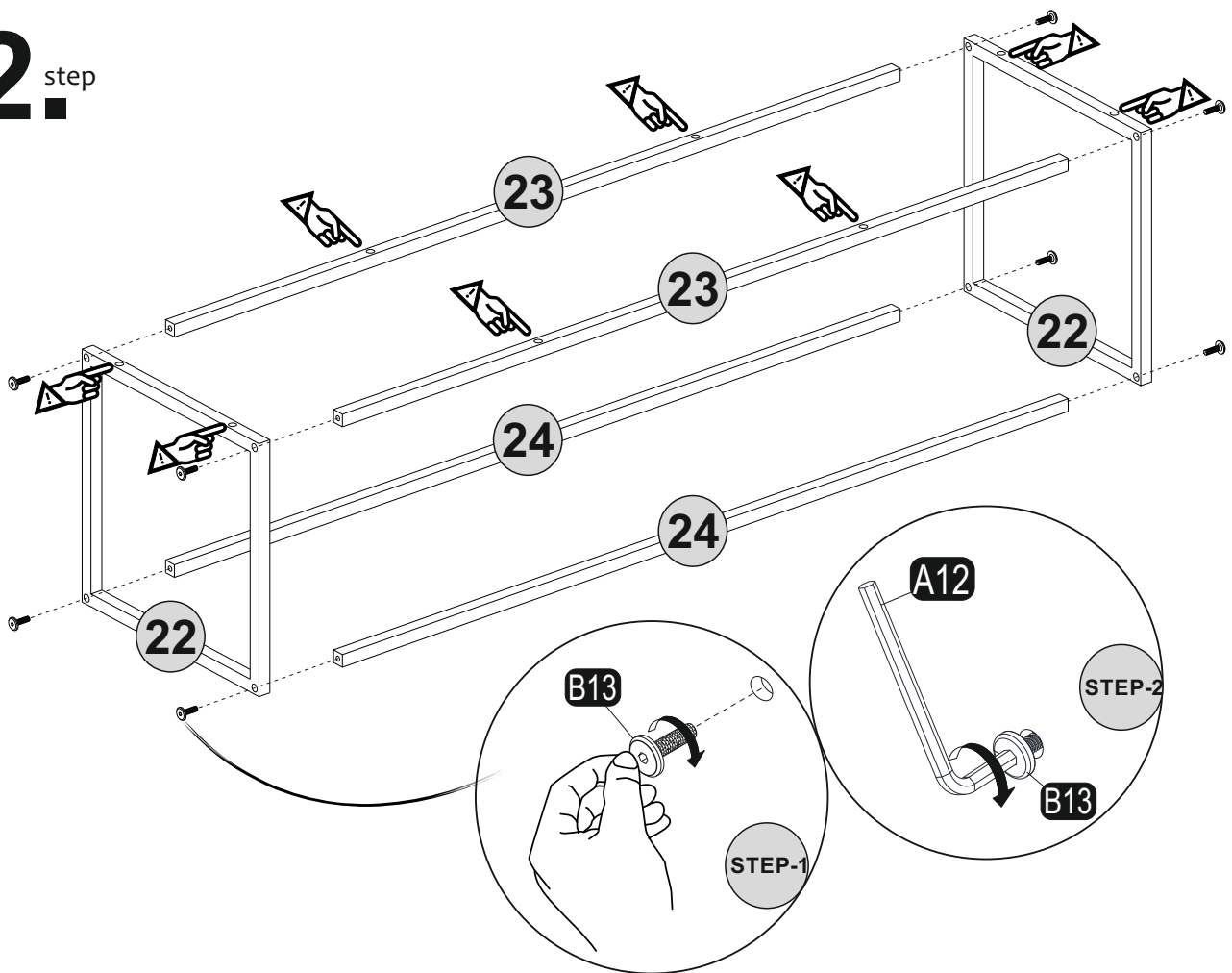




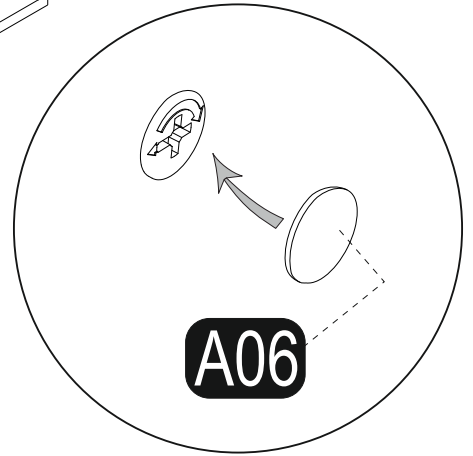
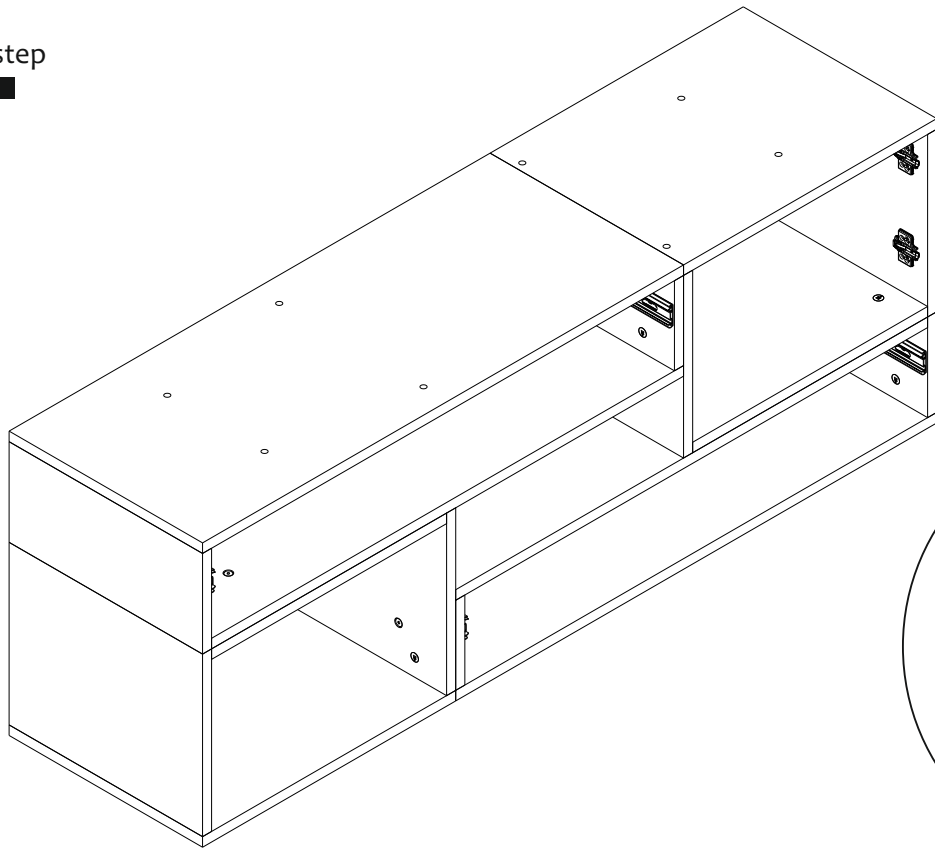
# 21. step



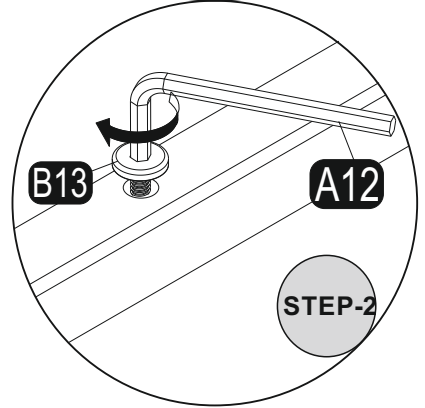
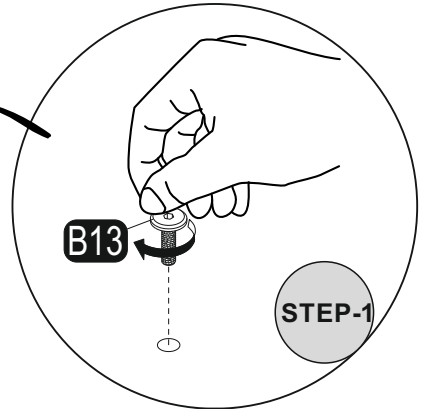
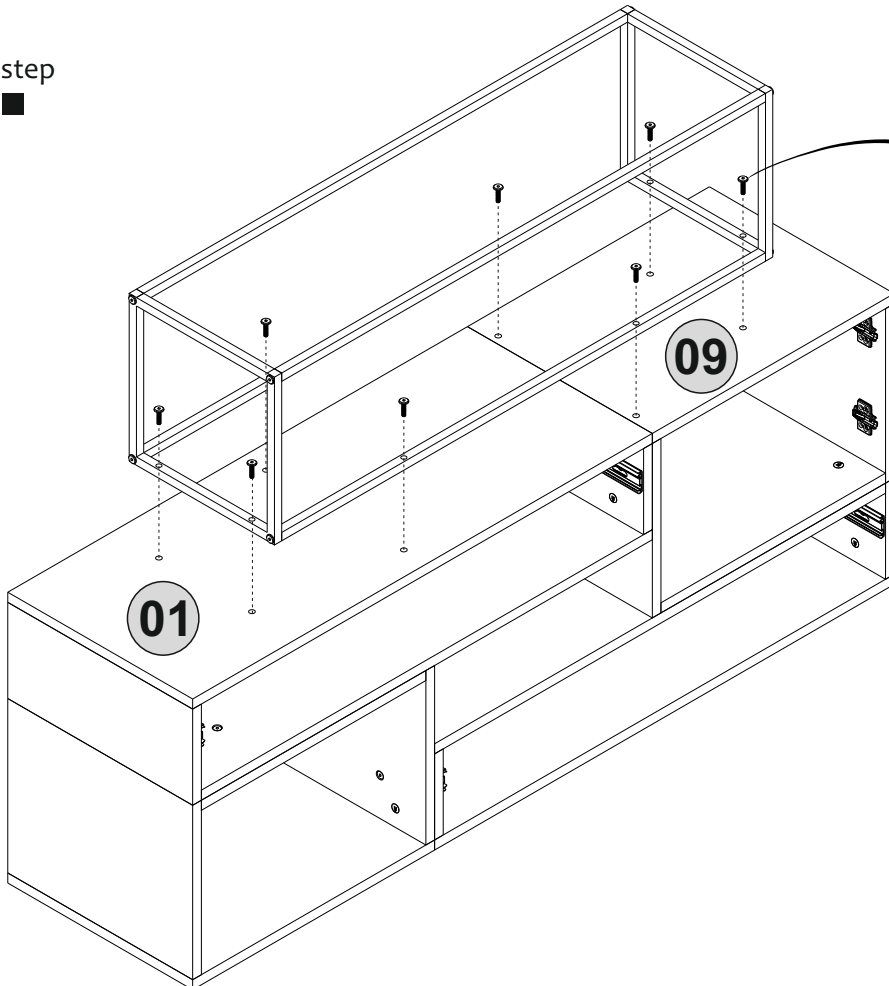
# 22. step



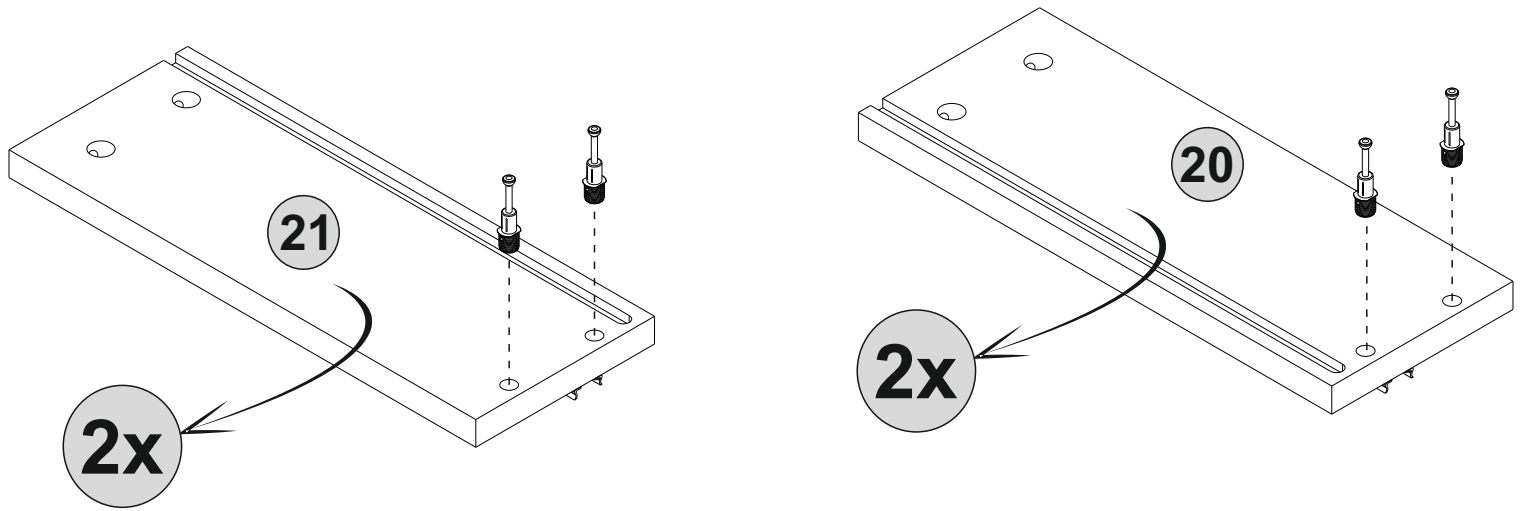
# 23<sup>step</sup>



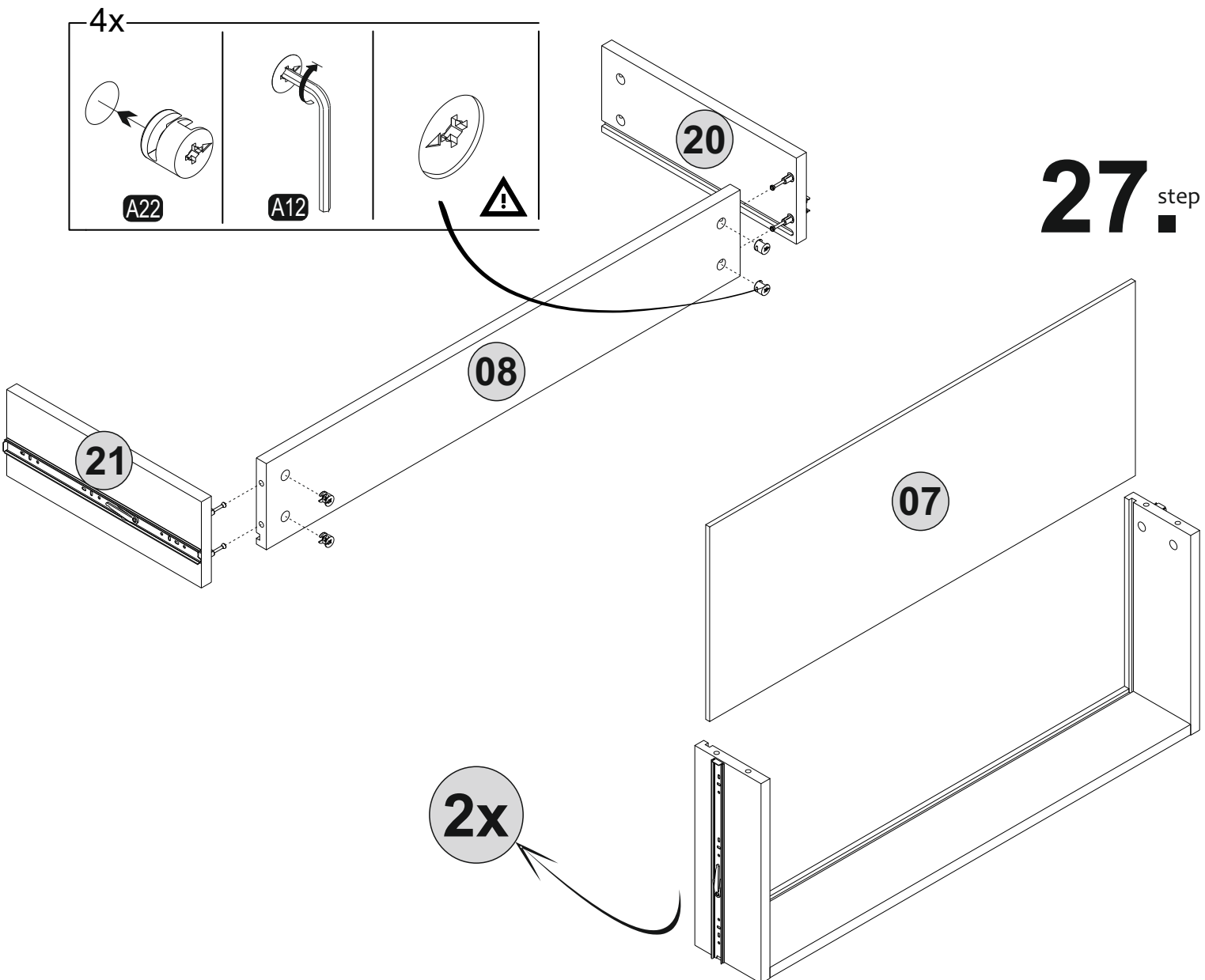
# 24<sup>step</sup>



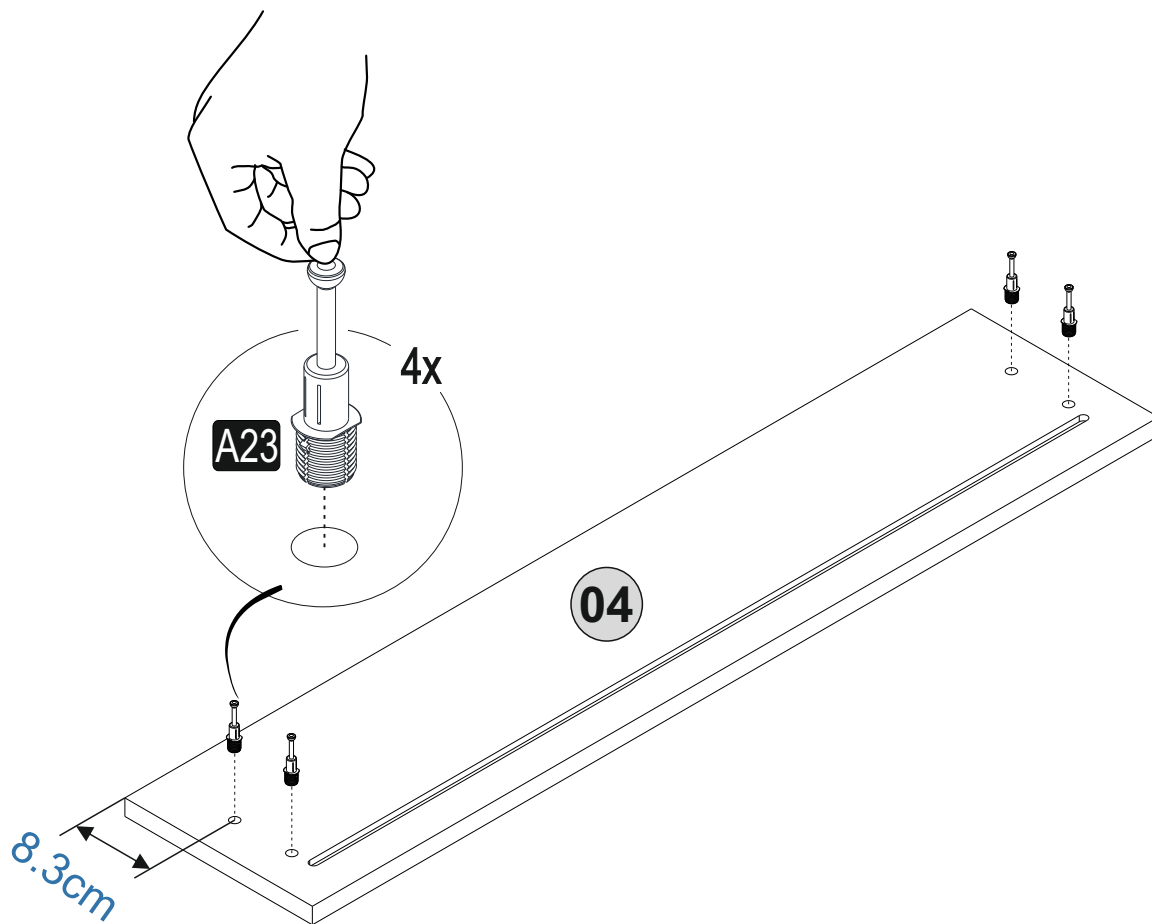
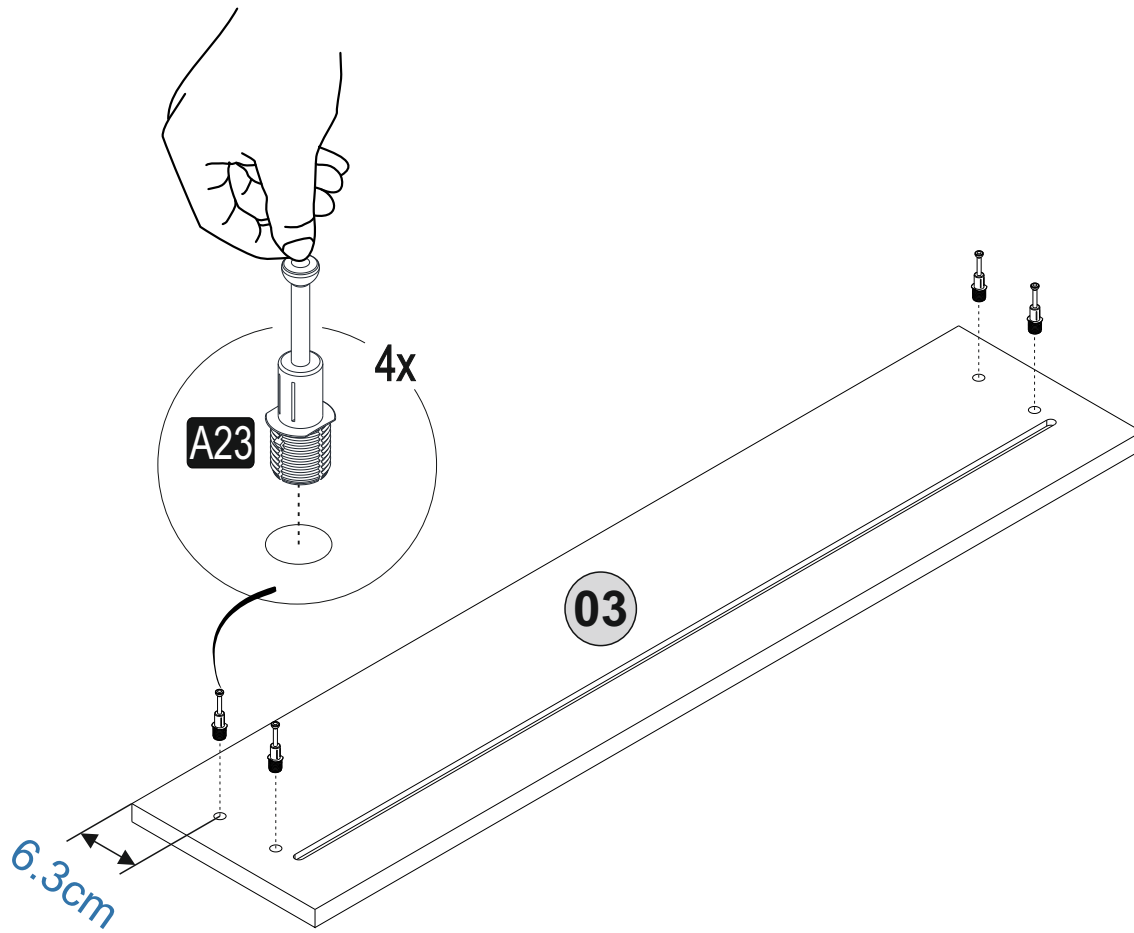
# 25<sup>step</sup>



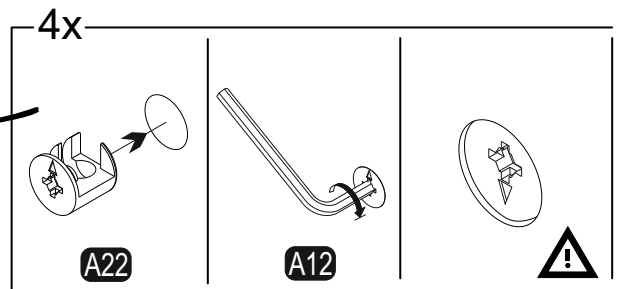
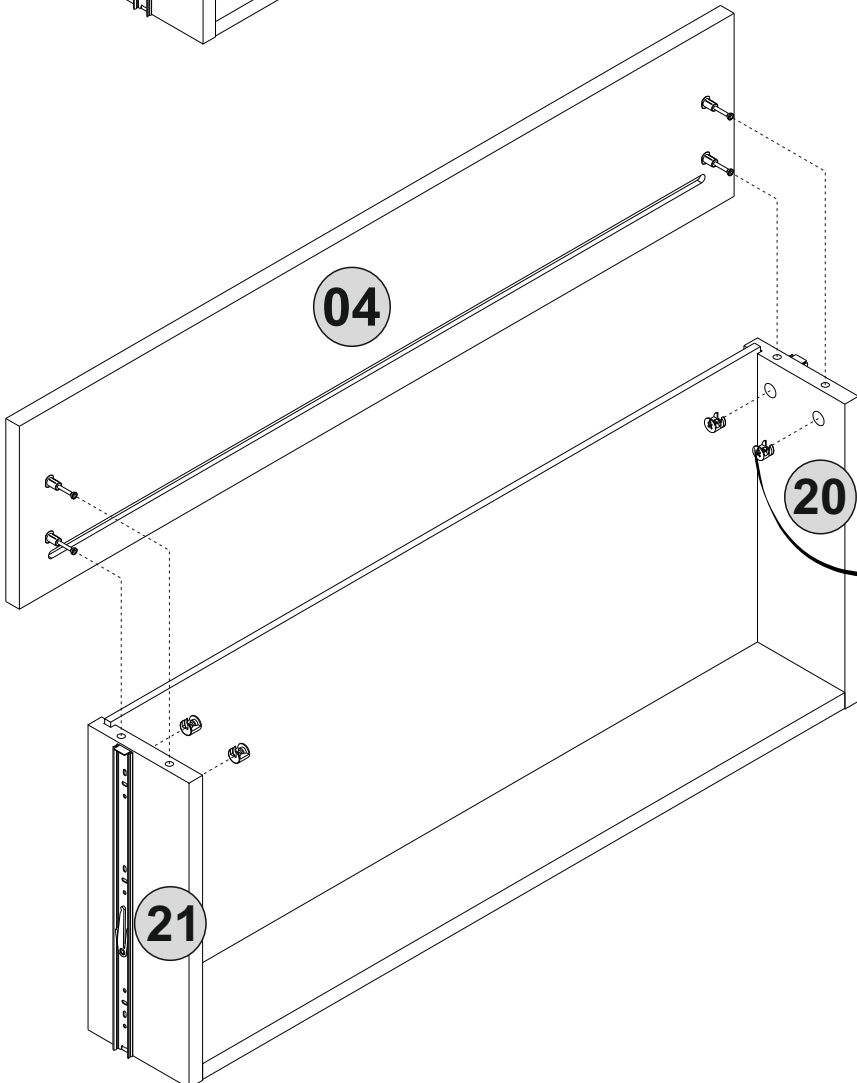
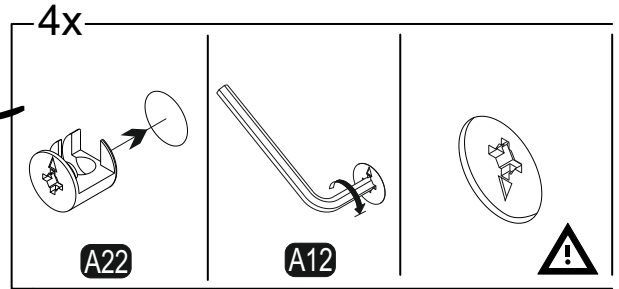
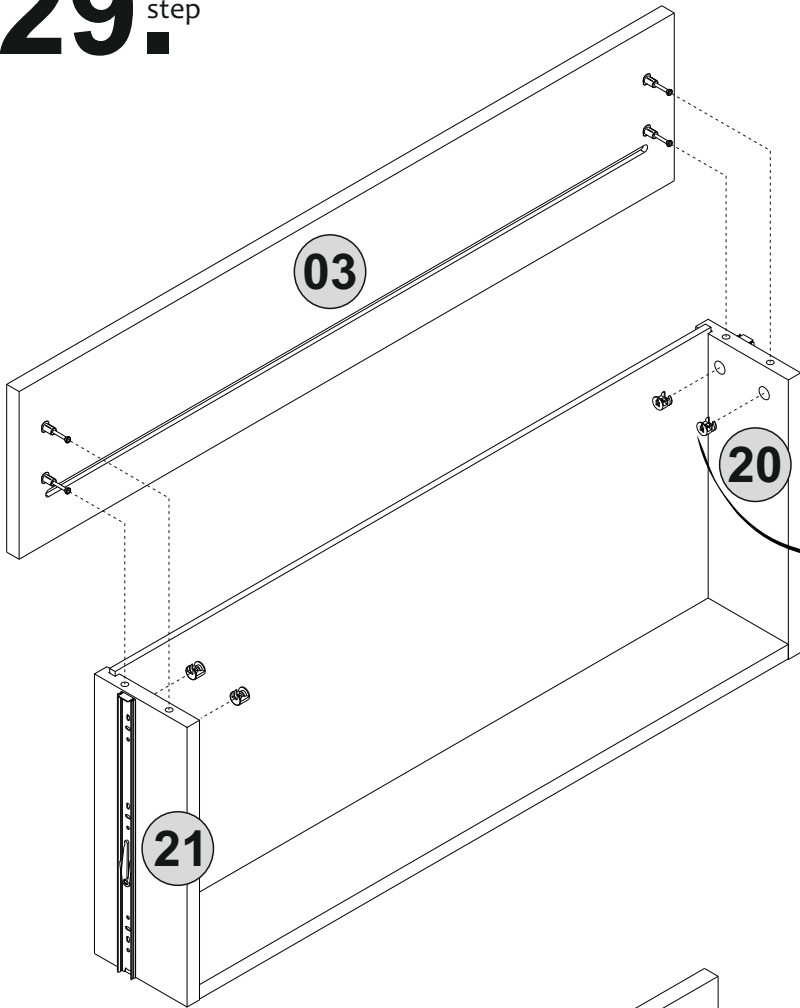
# 26<sup>step</sup>



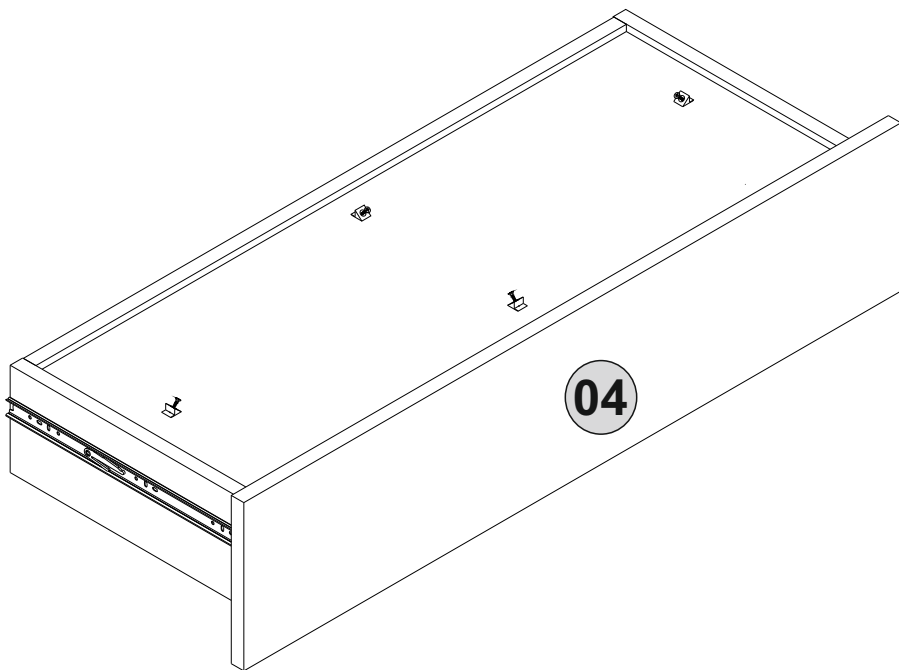
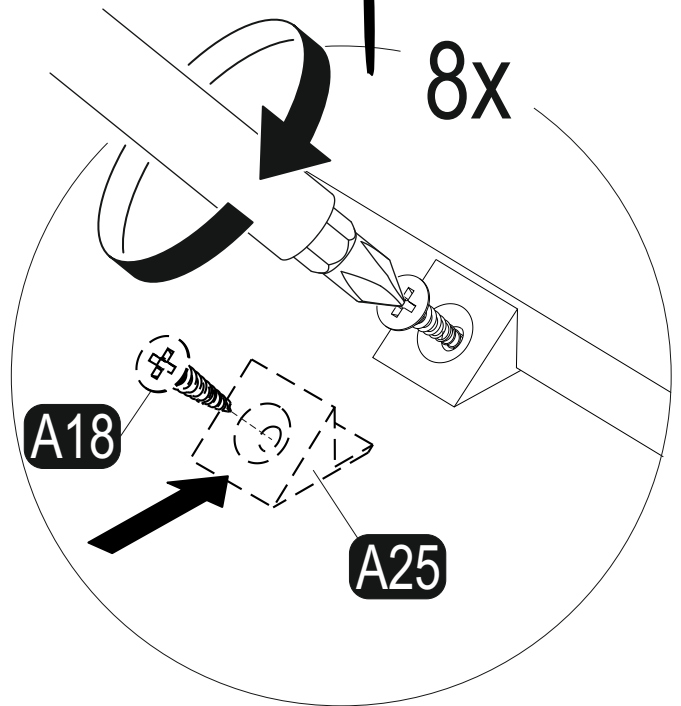
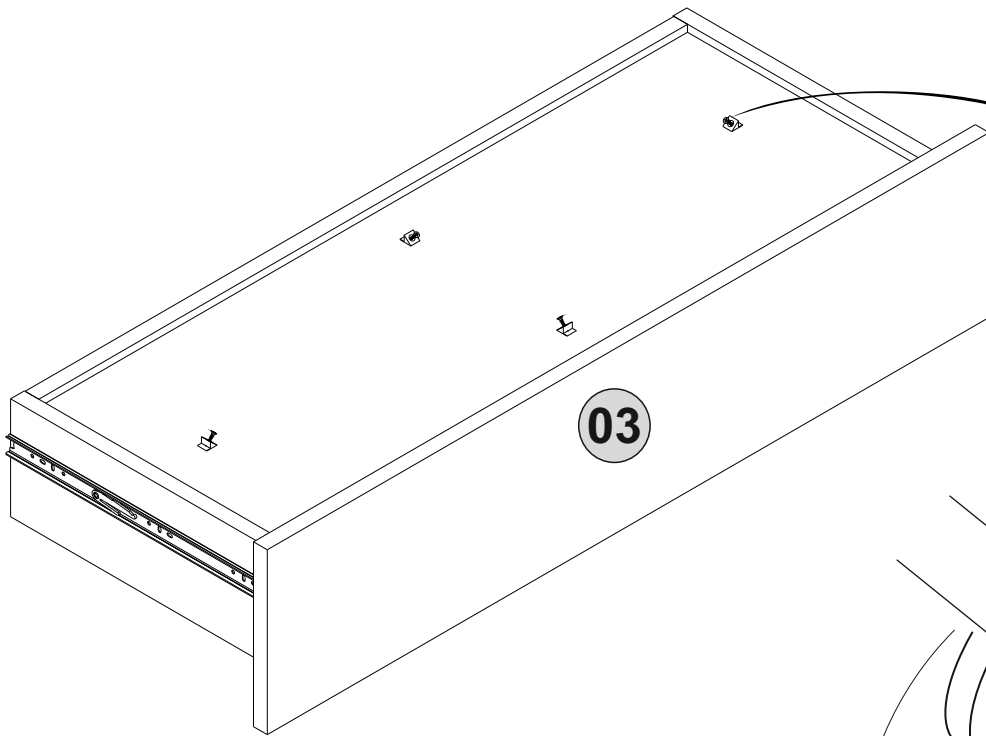
# 28<sup>step</sup>



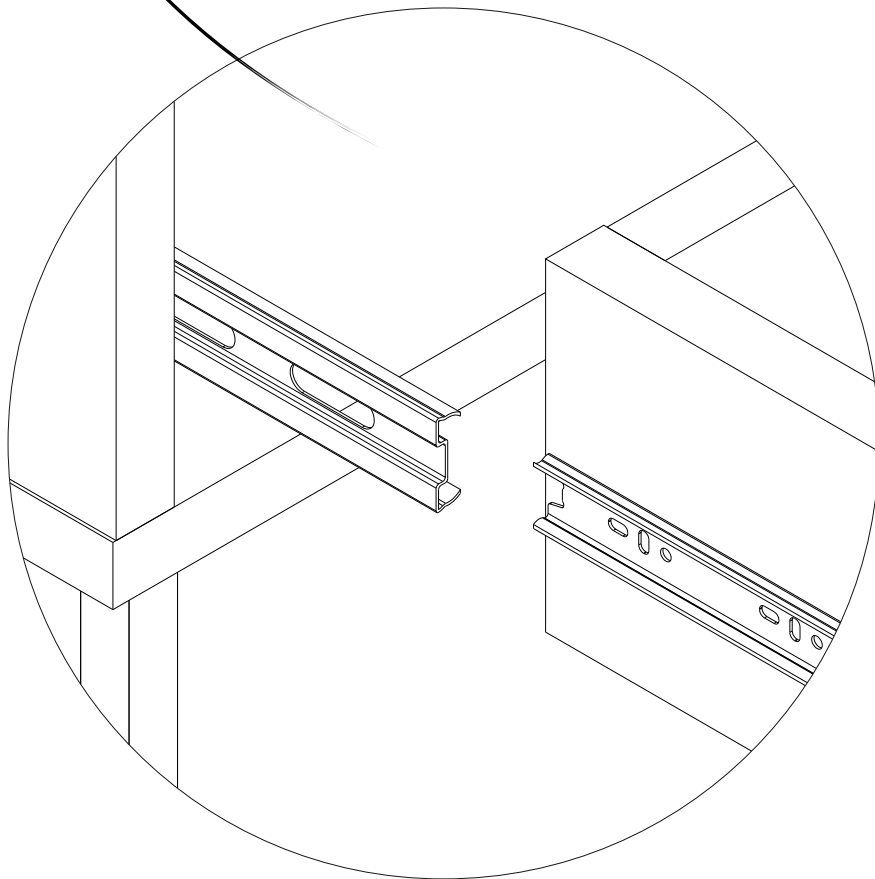
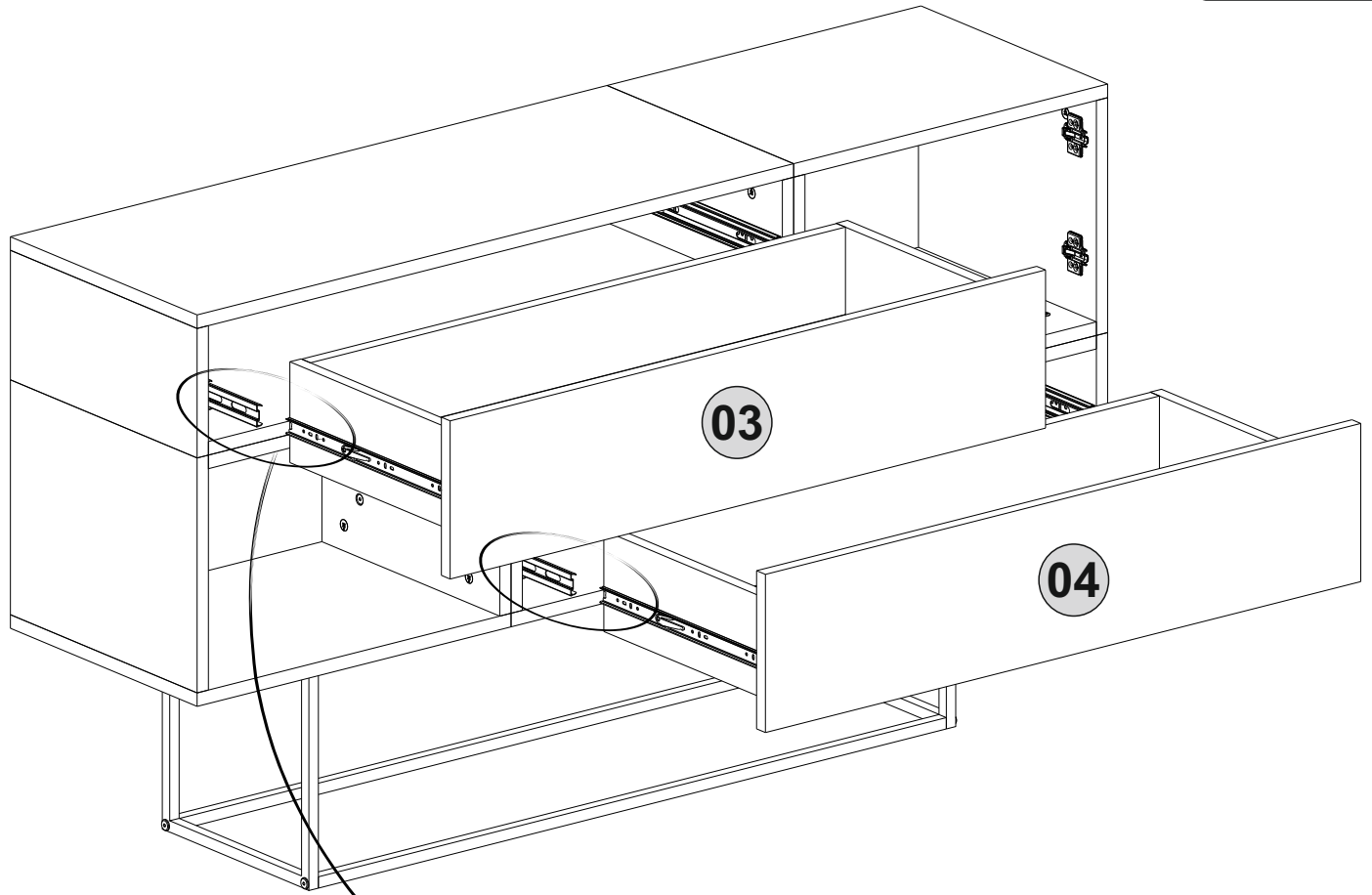
# 29<sup>step</sup>



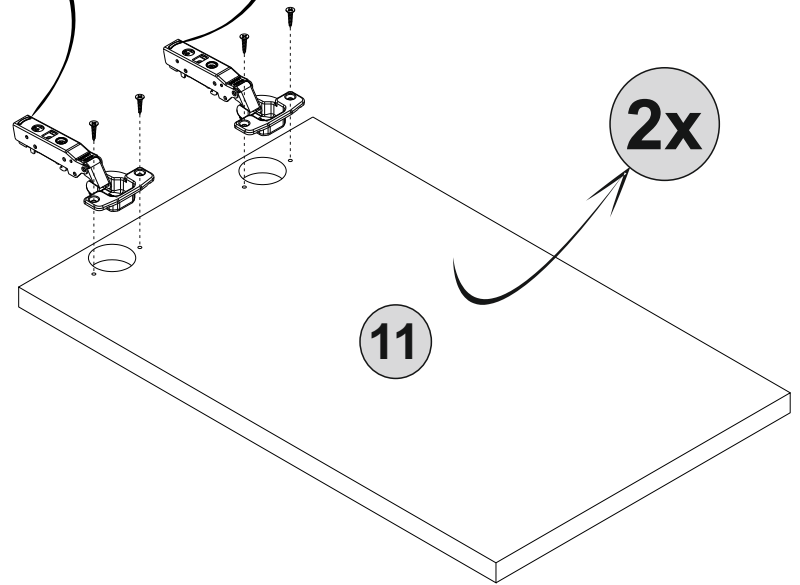
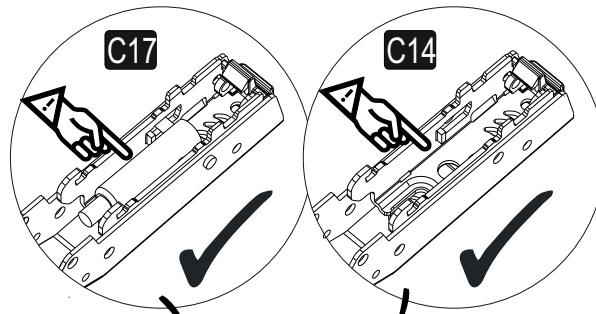
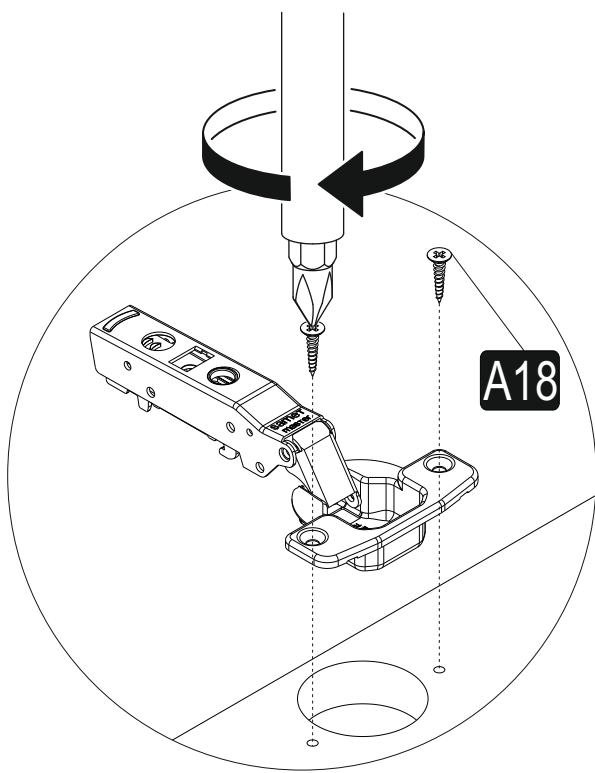
# 30<sup>step</sup>



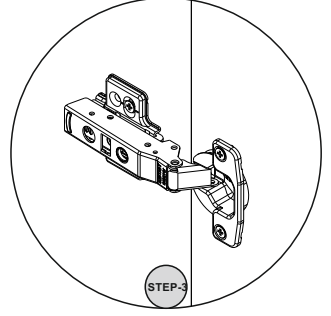
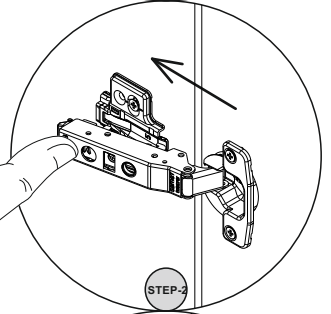
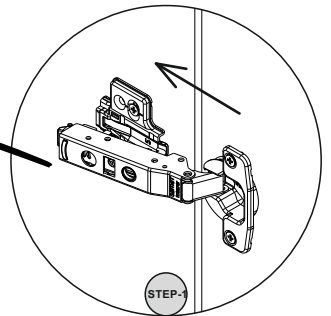
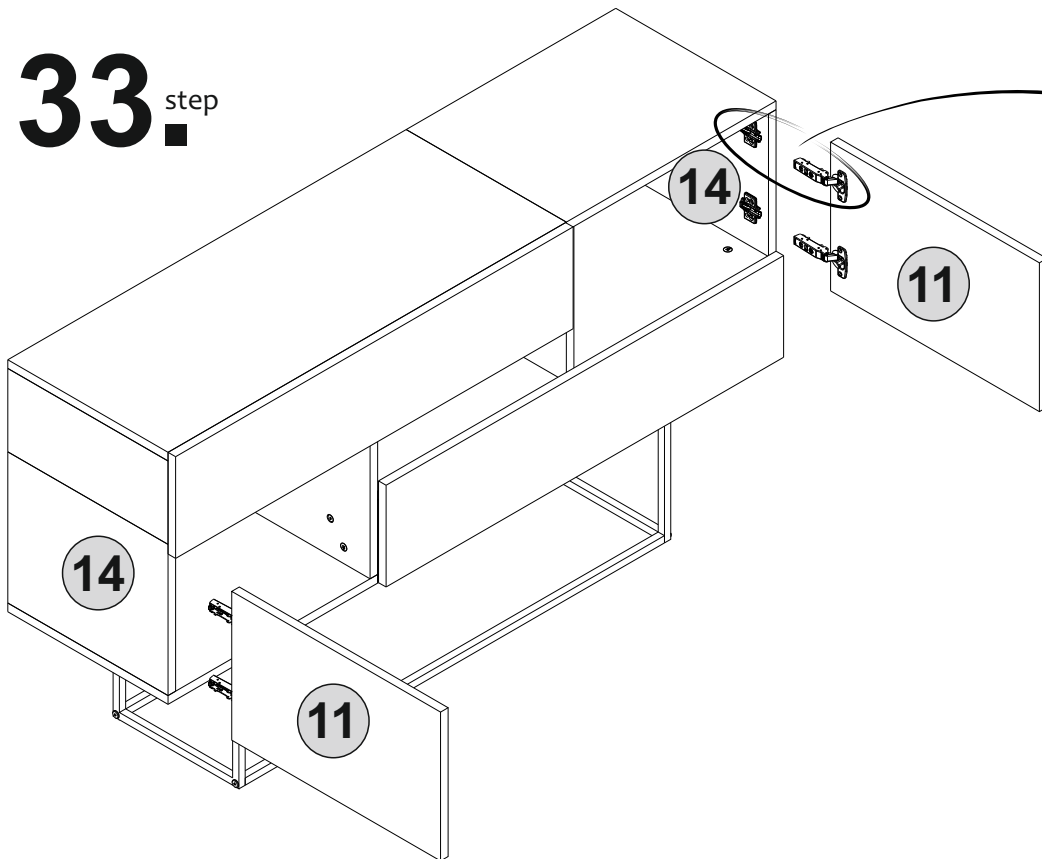
# 31. step



# 32<sup>step</sup>



# 33<sup>step</sup>





# 34.<sup>step</sup>

