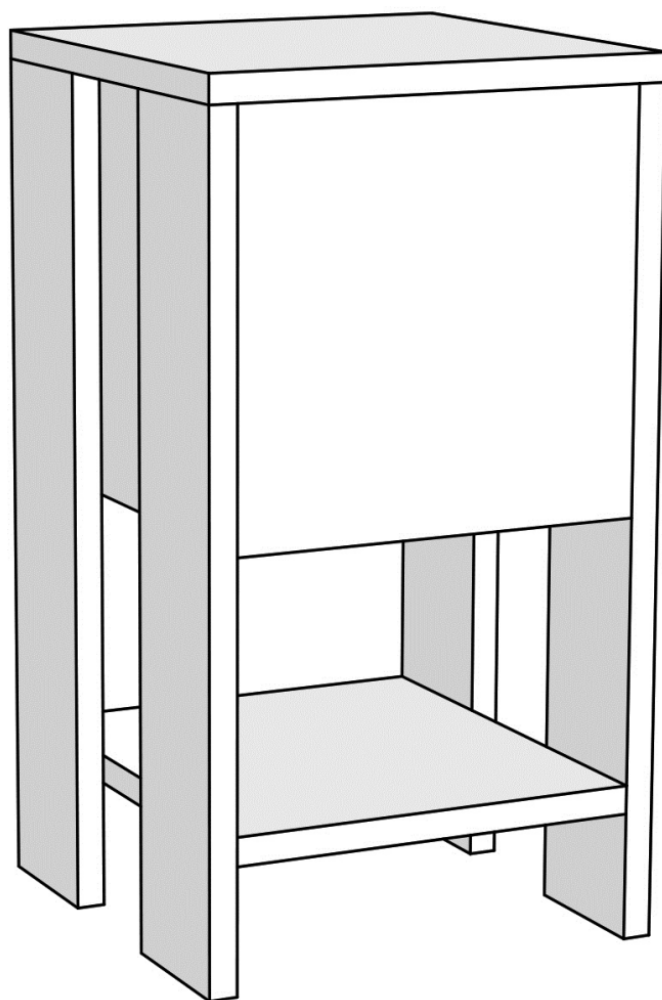


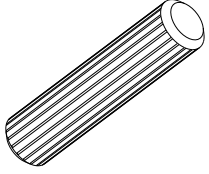
GP037-0010,2



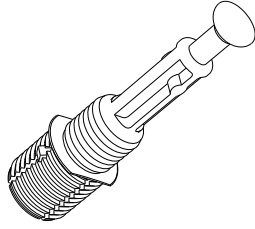
ATTENTION !!

Minifix is the main connection material used in our products.
Before starting assembly, please check the drawings below.

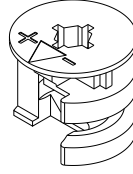
A04



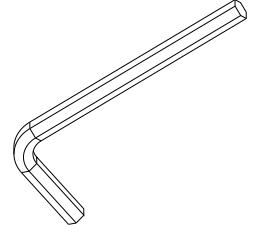
A23



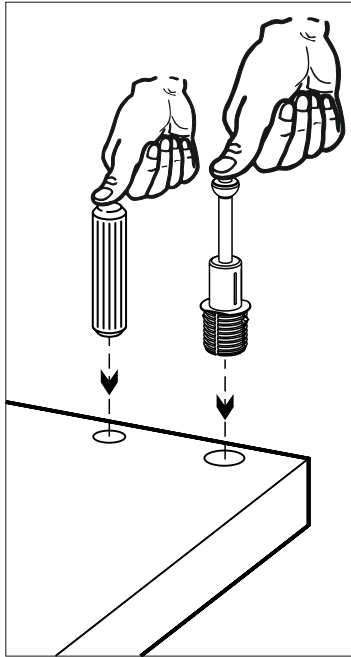
A22



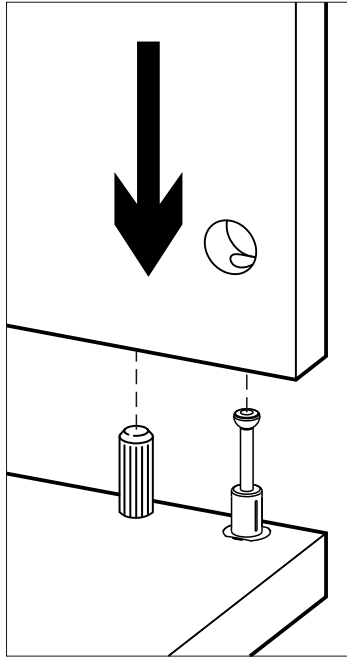
A12



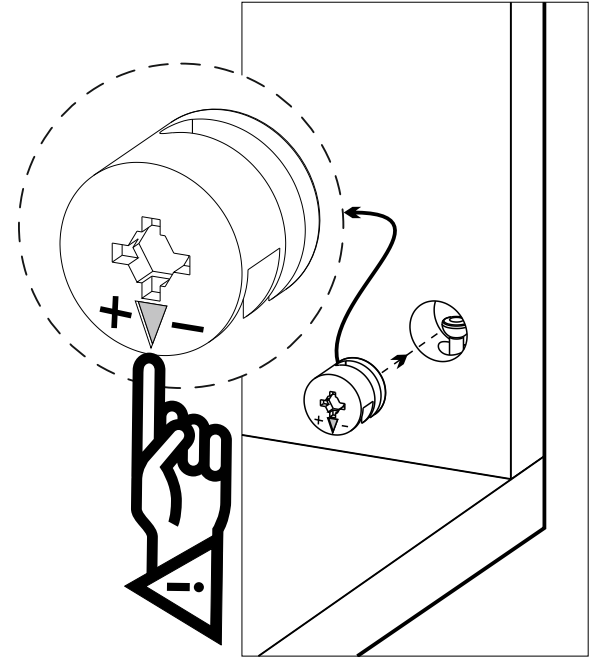
1



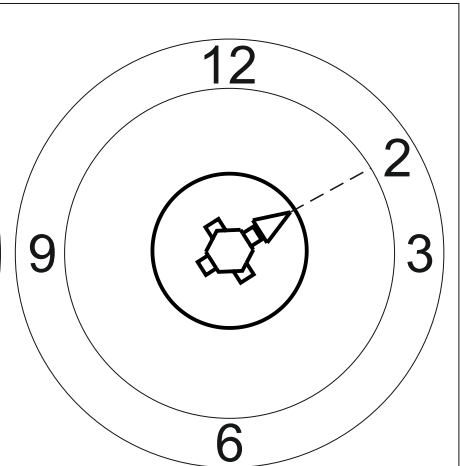
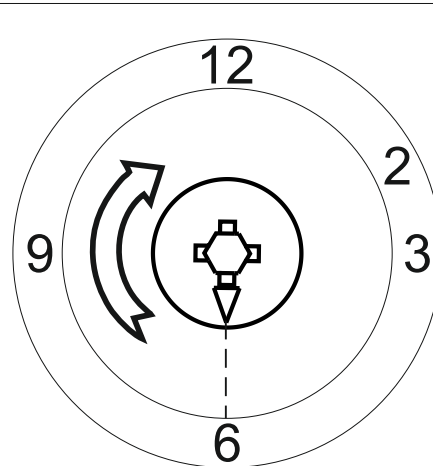
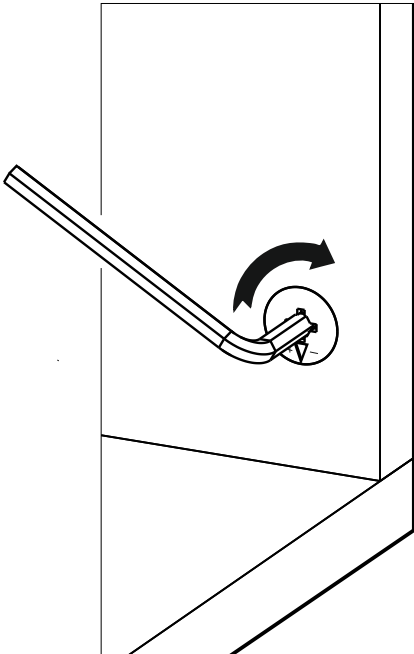
2



3



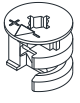
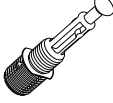
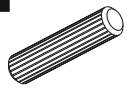
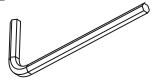
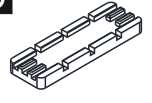


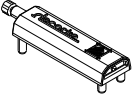
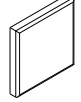
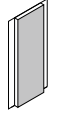
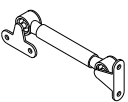


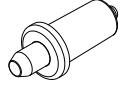
4

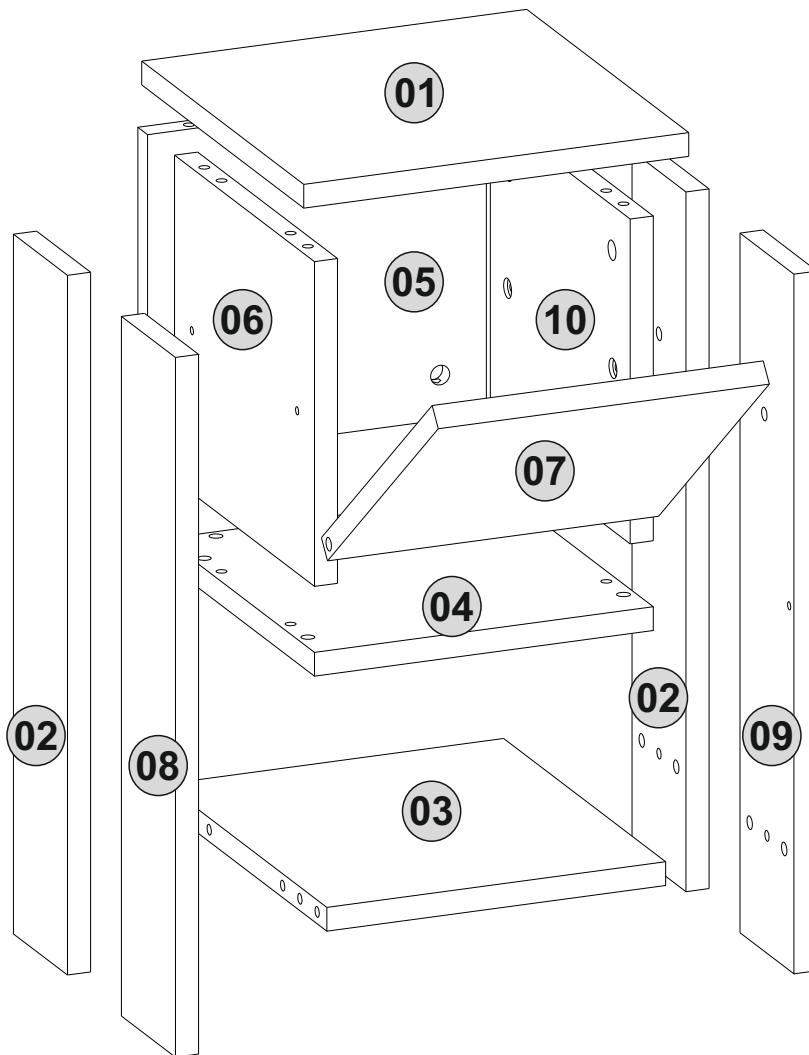


Follow the installation steps in the order as shown.
Position the parts as shown in the installation guide steps.

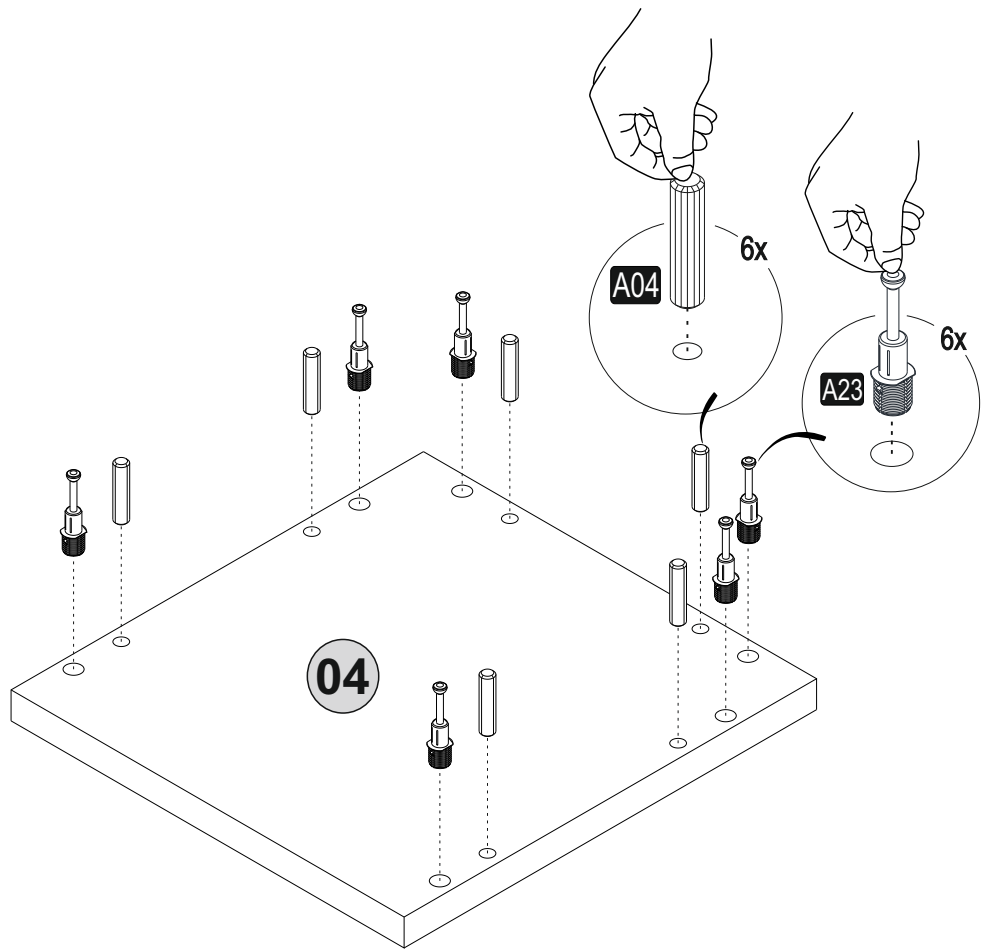


ACCESSORY LIST

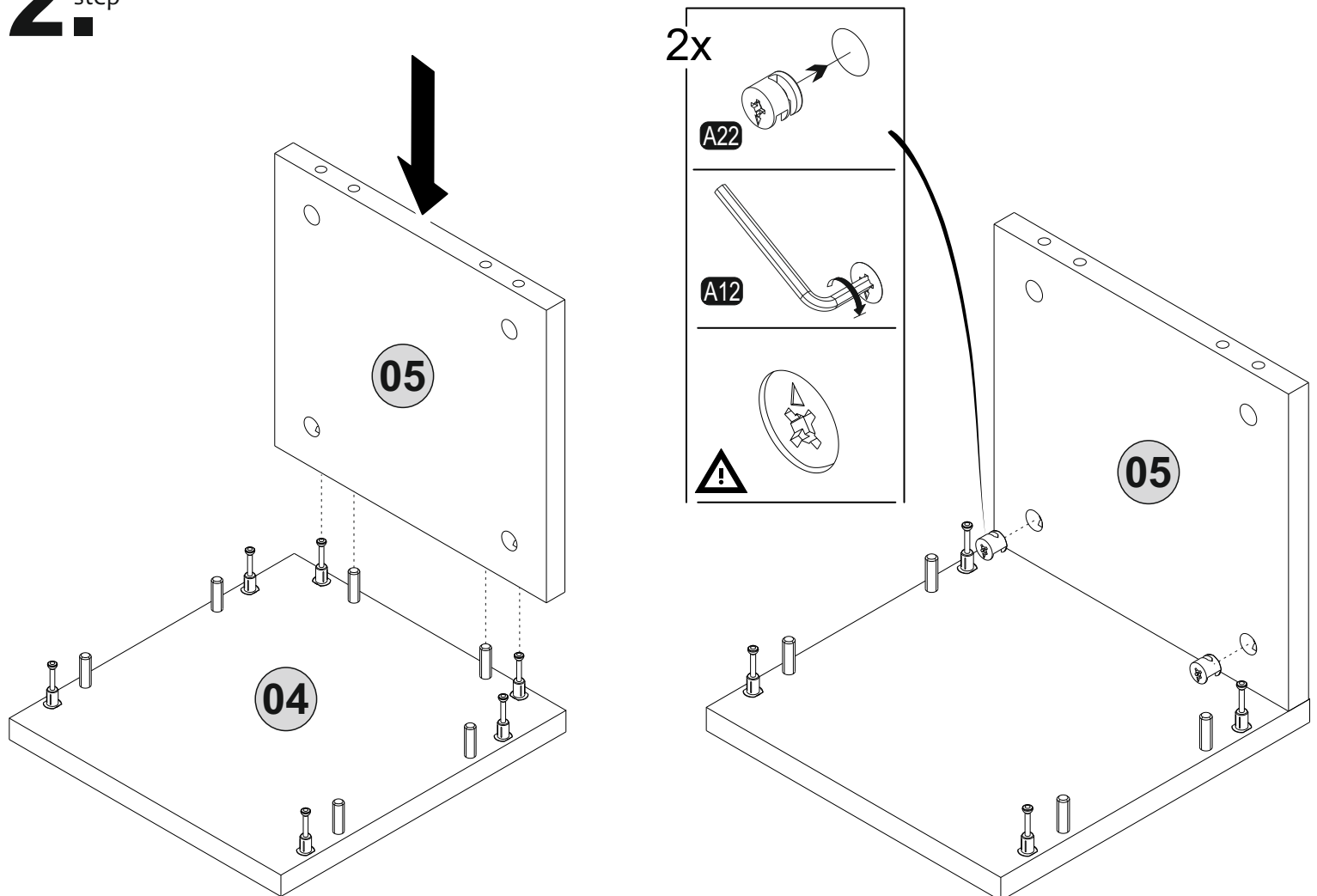
A22 Minifix k18  20x	A23 Minifix M10  20x	A04 Ø8  16x	A12 Allen  1x	A08 5mm  4x
B03 25 mm  4x	A69 P.D.  4x	A80 bas ac  1x	A82 bas ac k.  1x	Y03 Ctpb  4x
Z67 DKP  1x	A18 3,5x18  4x	A06 18mm  C1-20x	A65 Mil Mentese  2x	



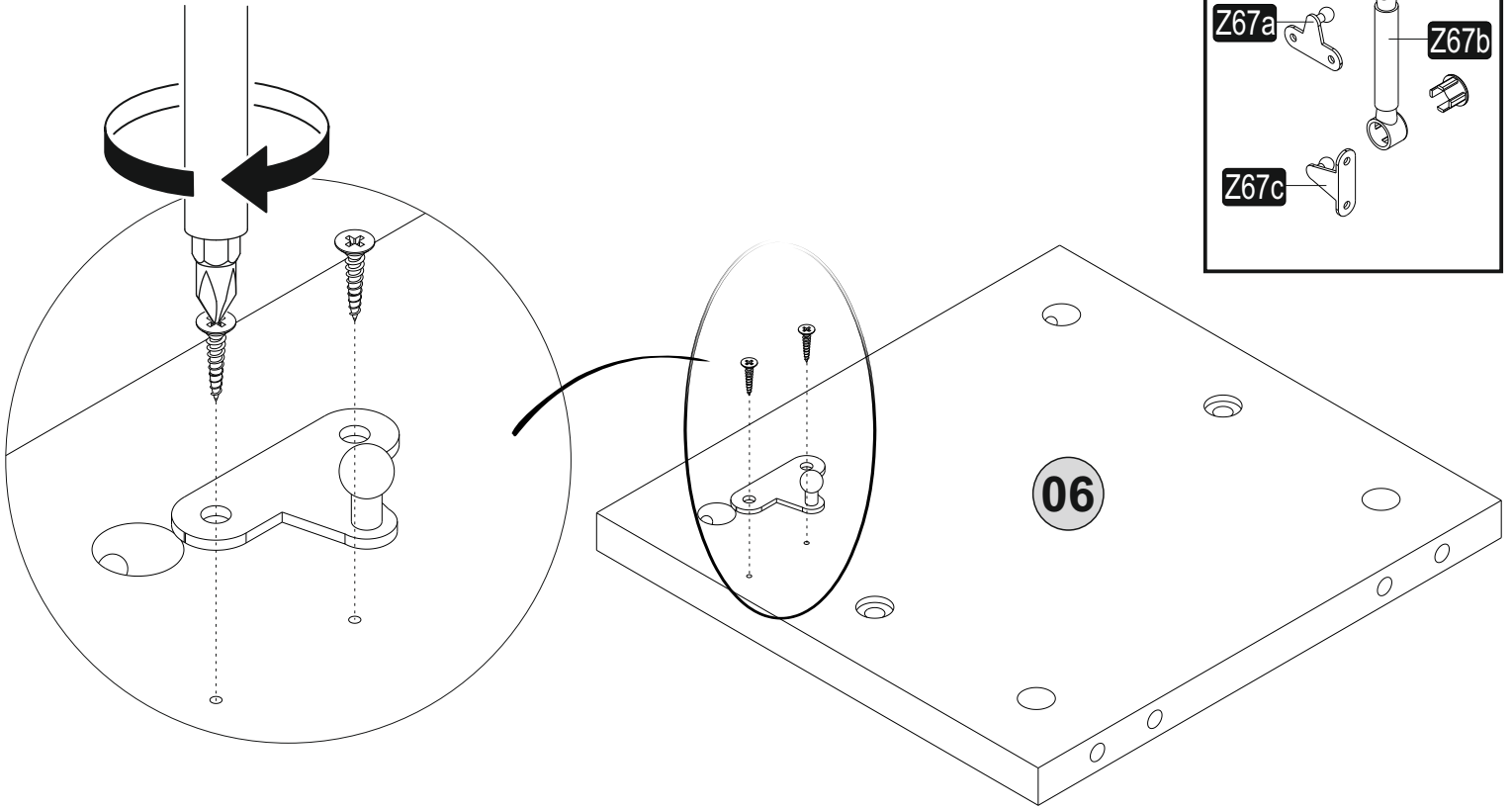
1. step



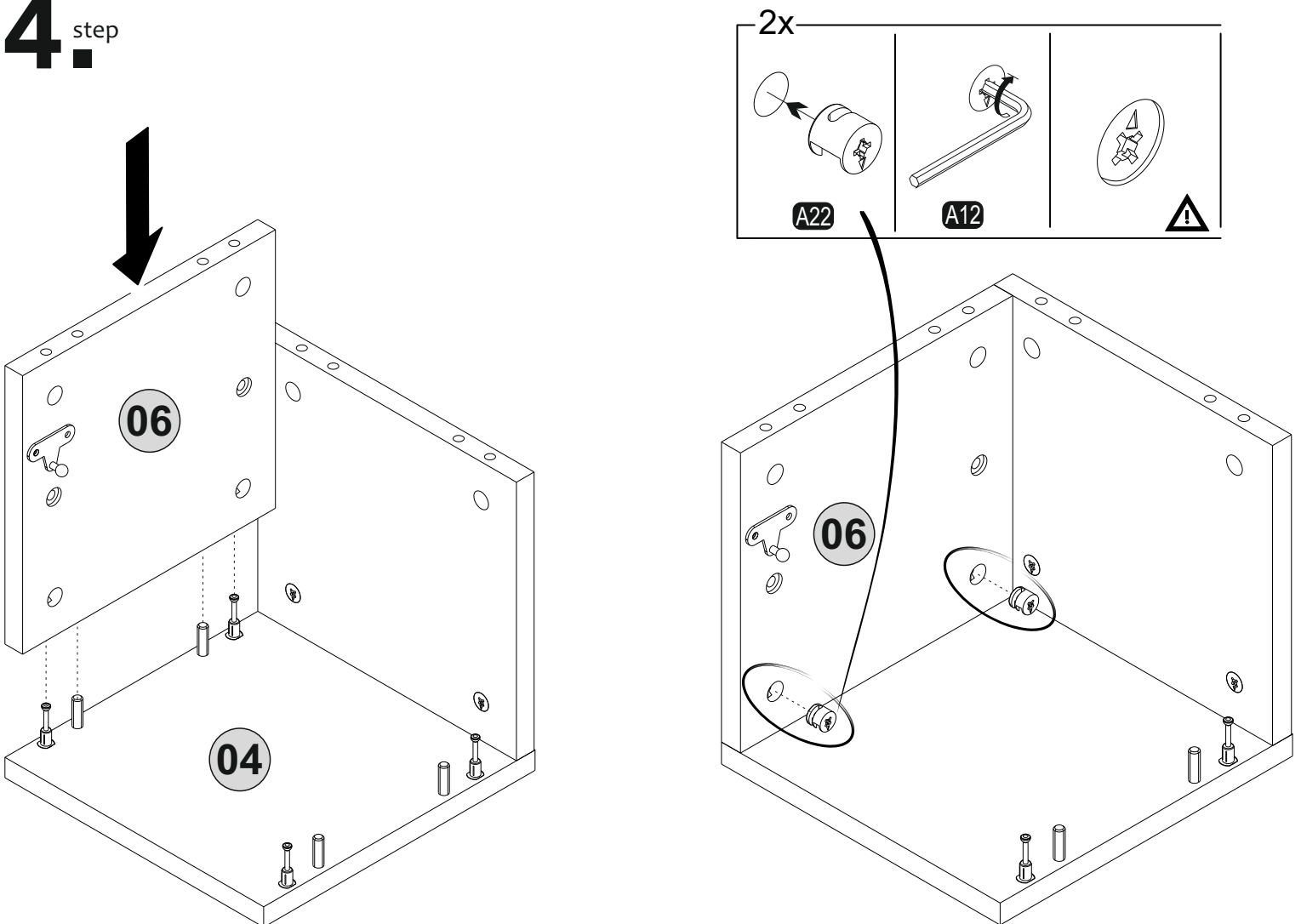
2. step



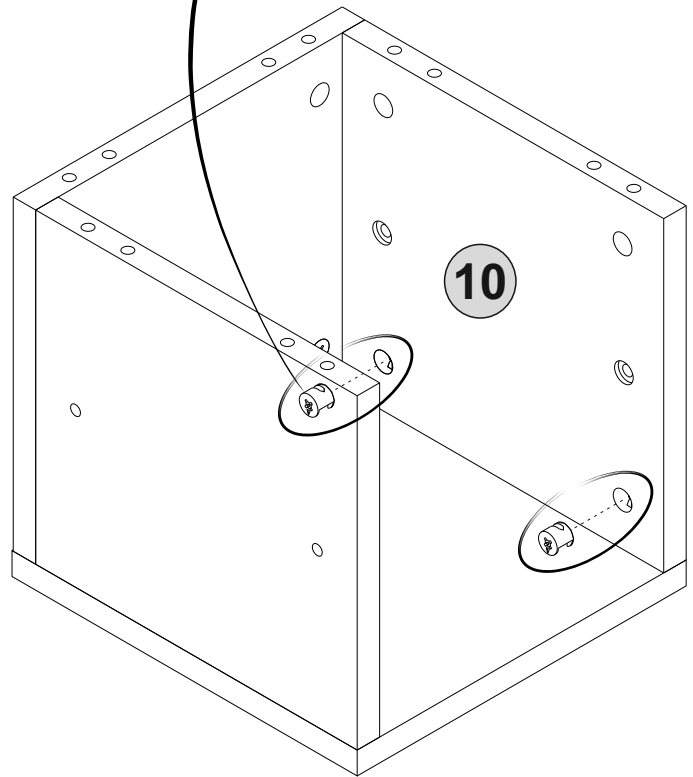
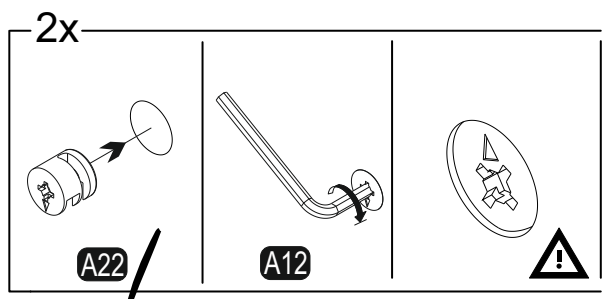
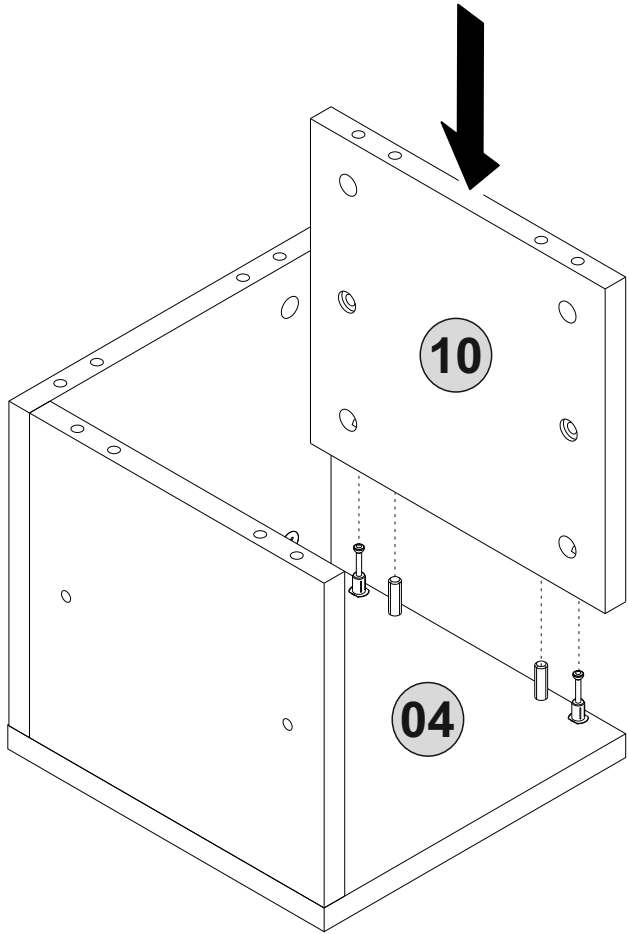
3 step



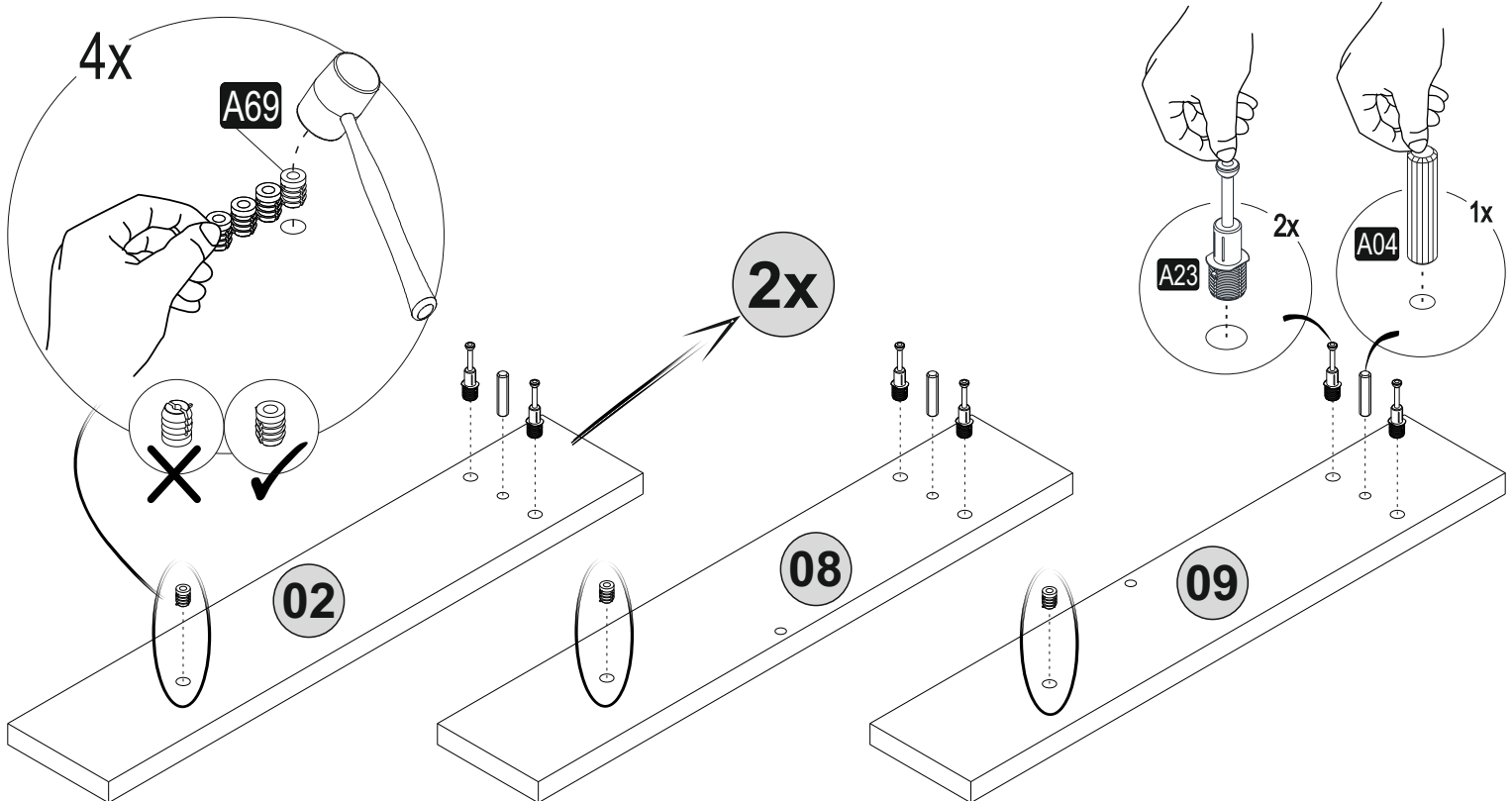
4 step



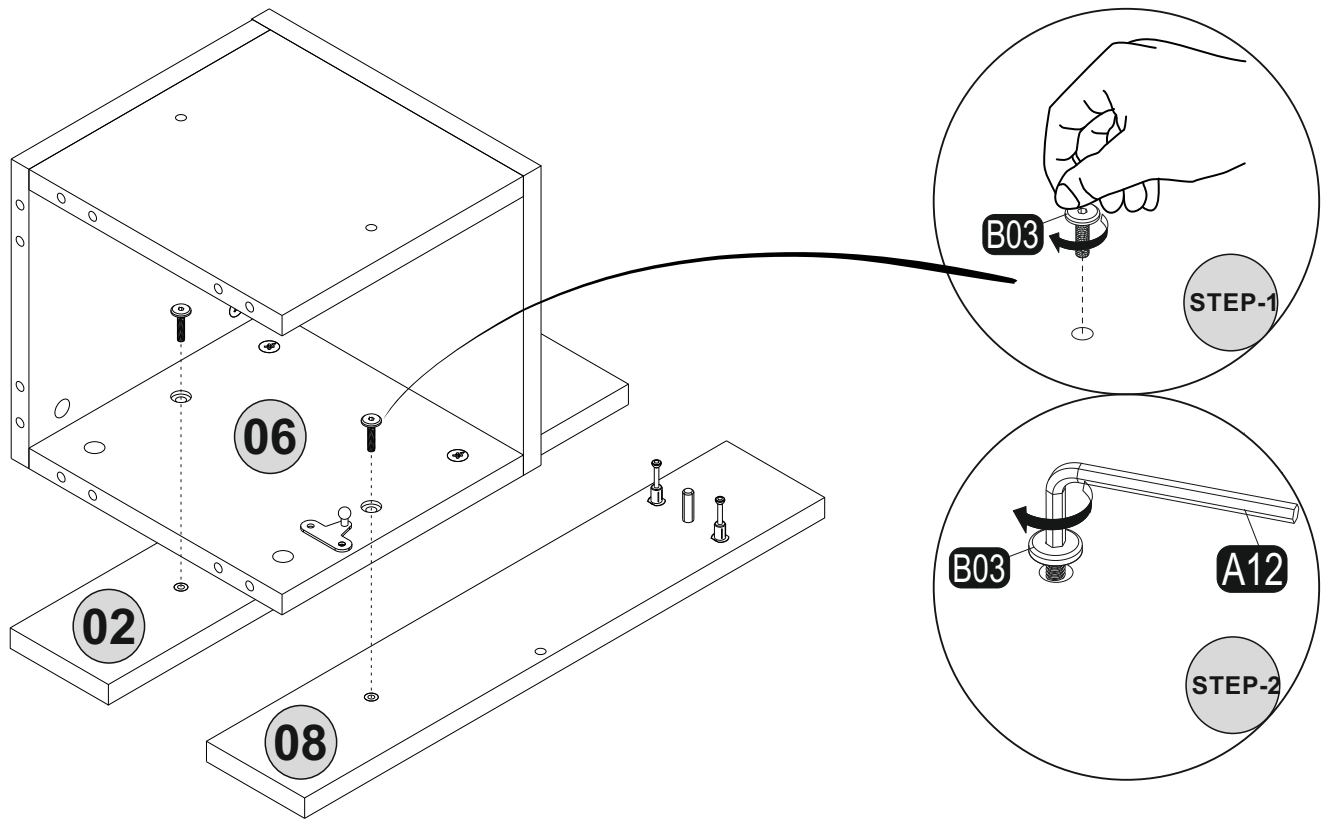
5. step



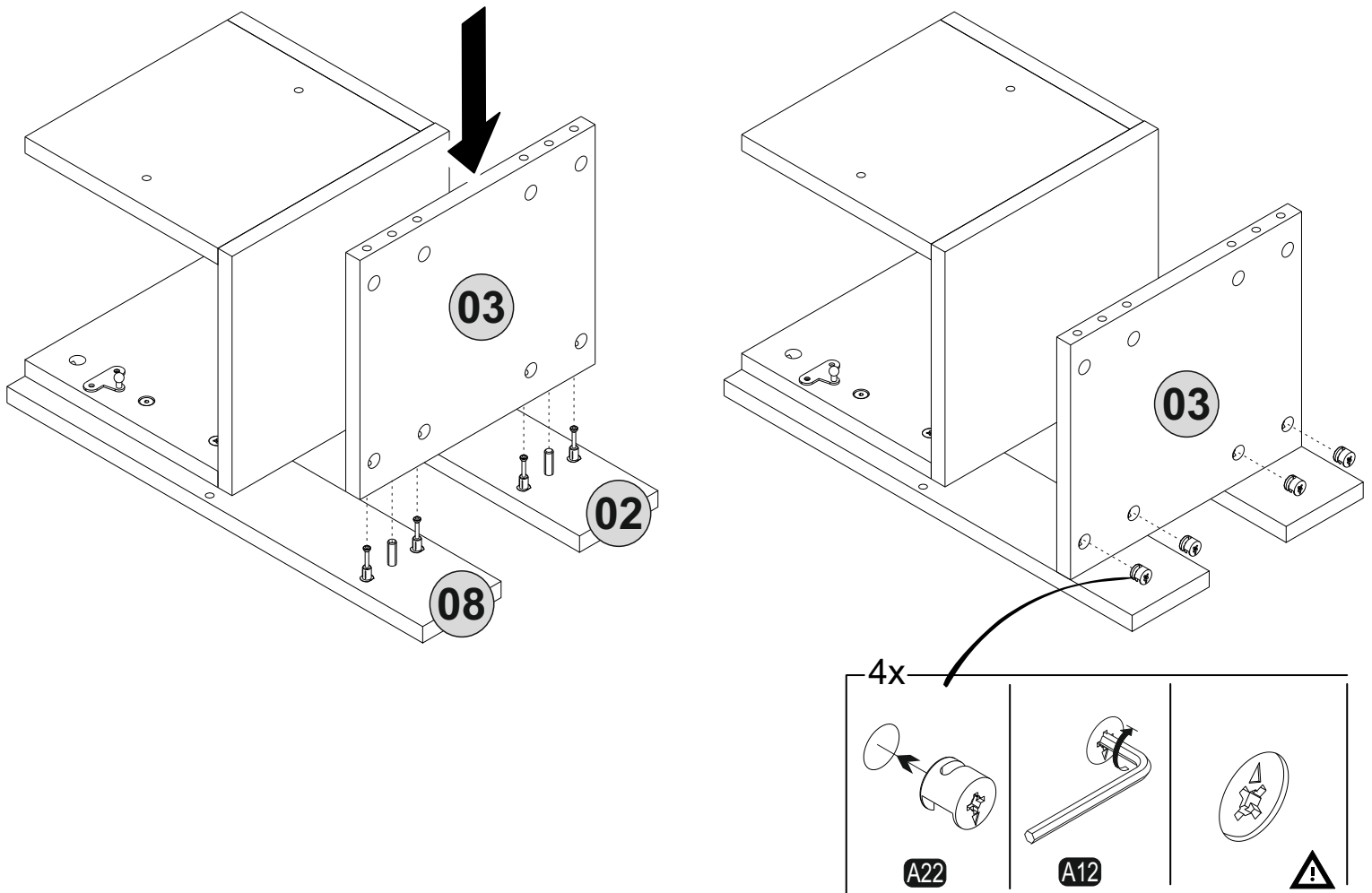
6. step



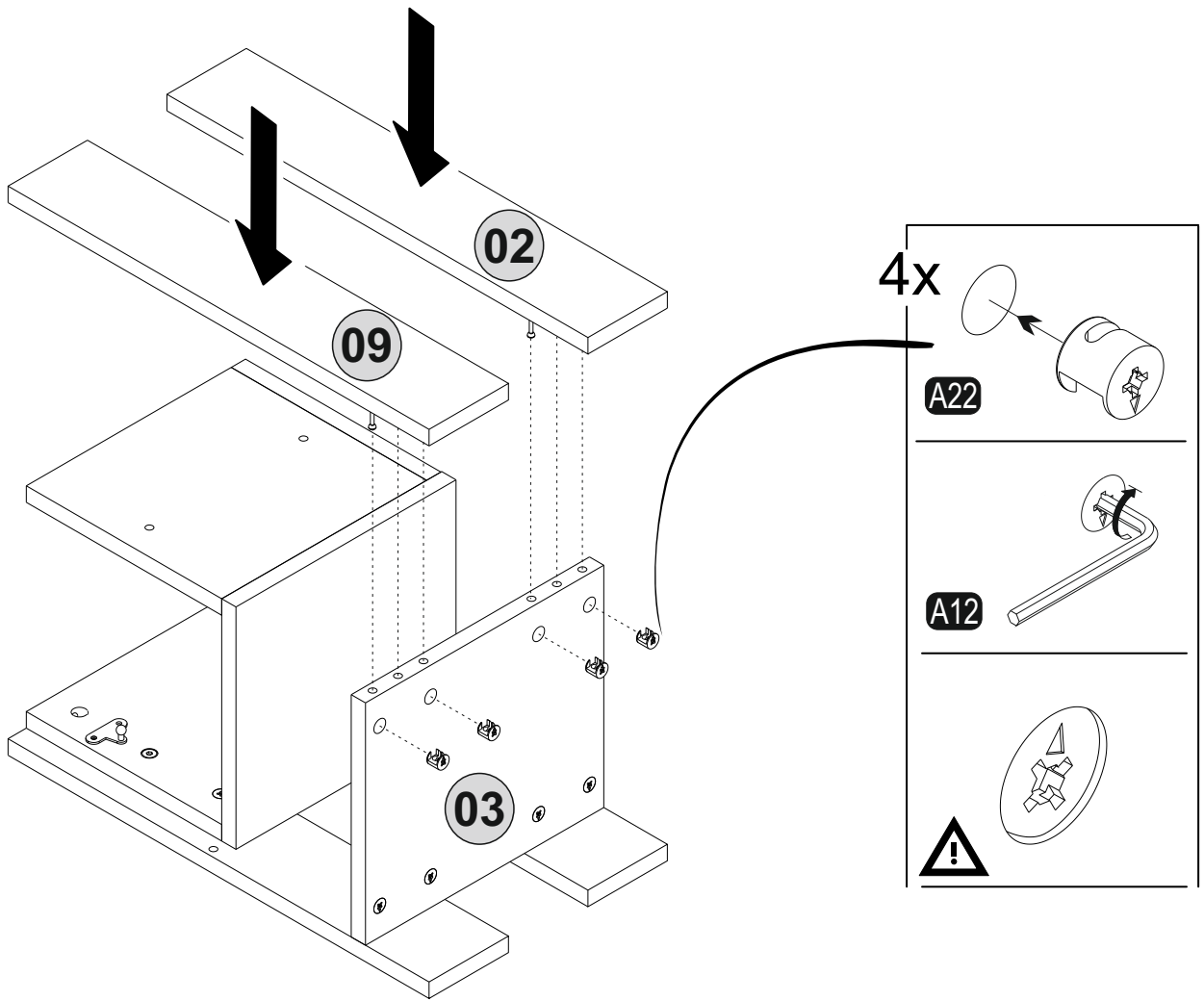
7 step



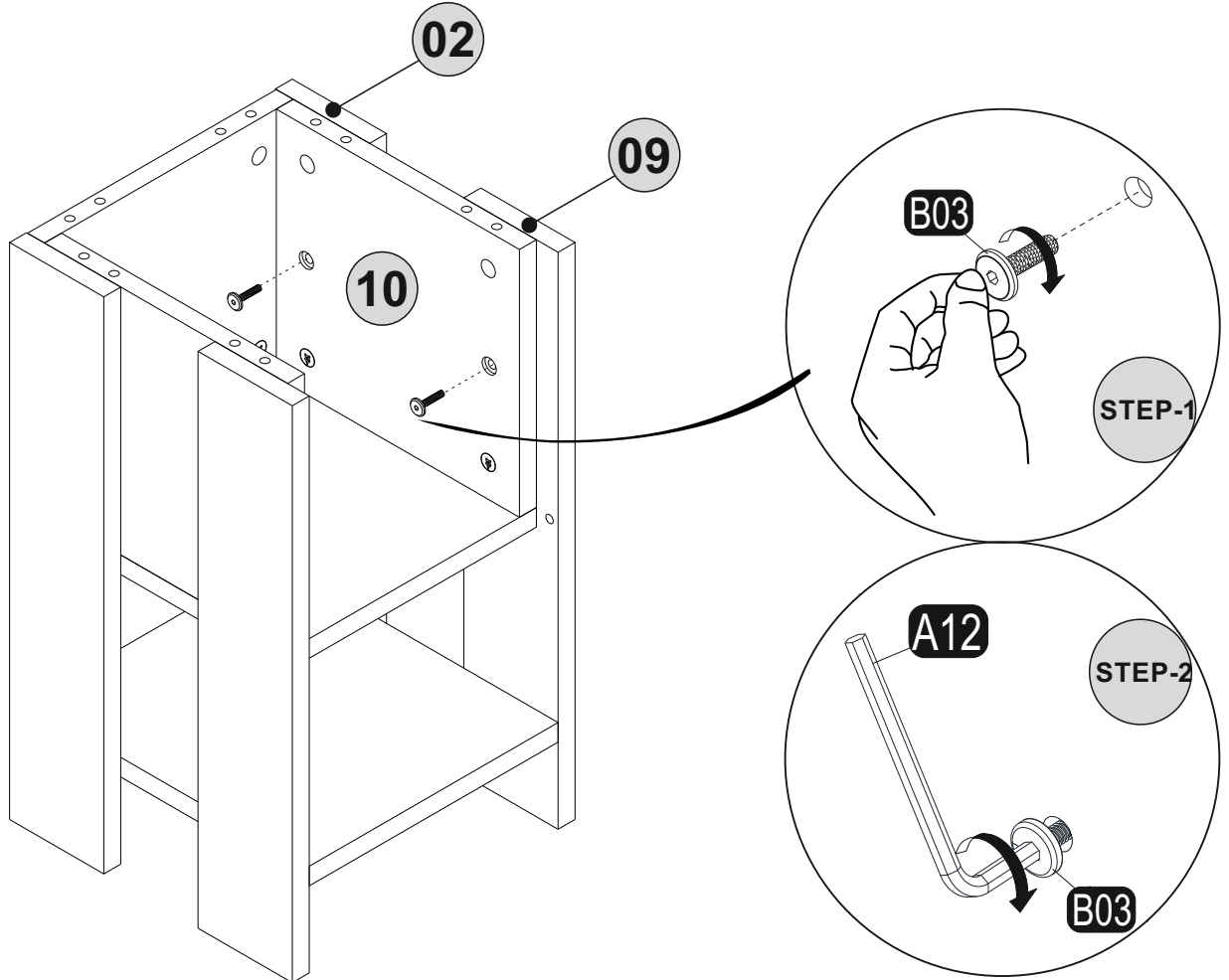
8 step



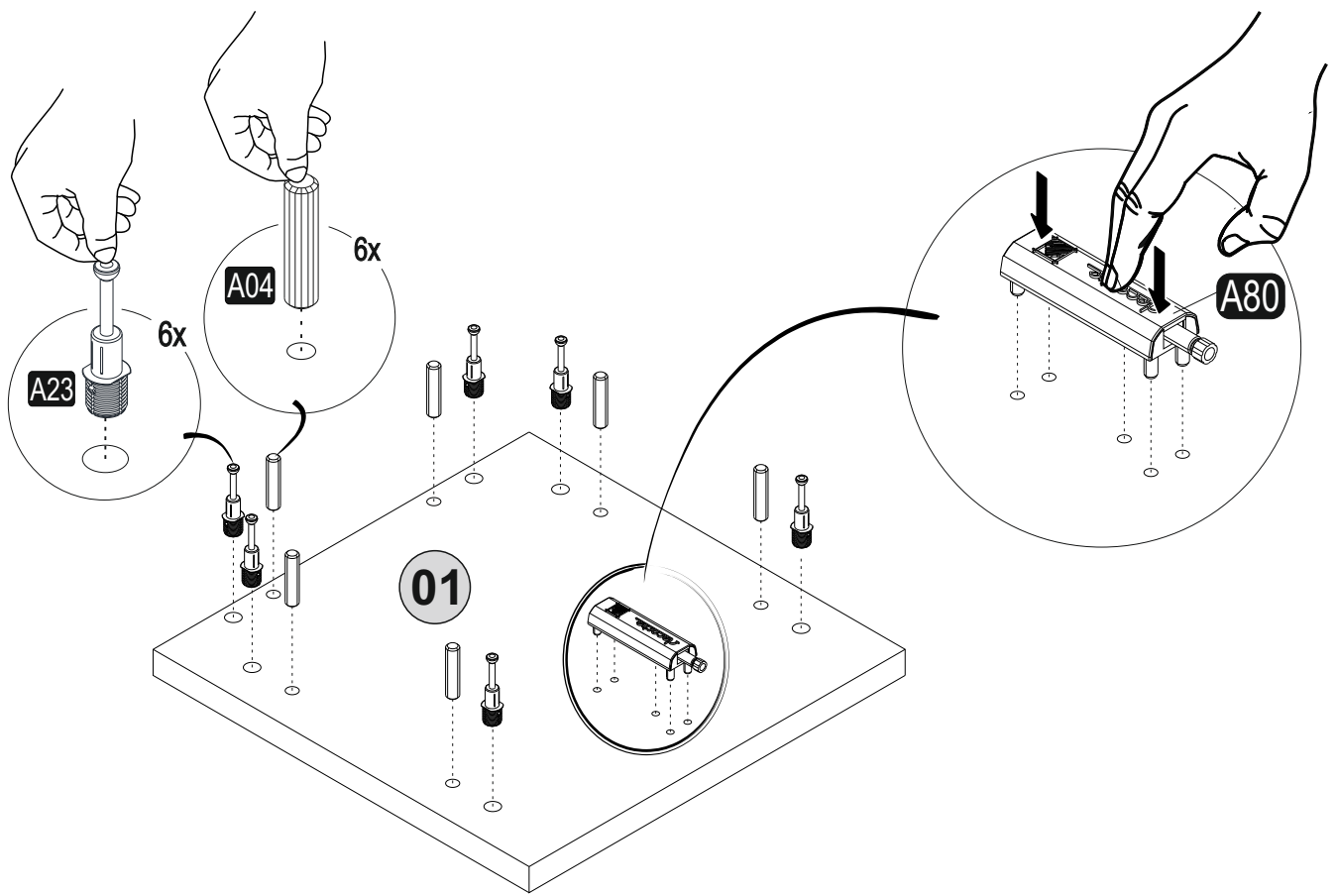
9_{step}



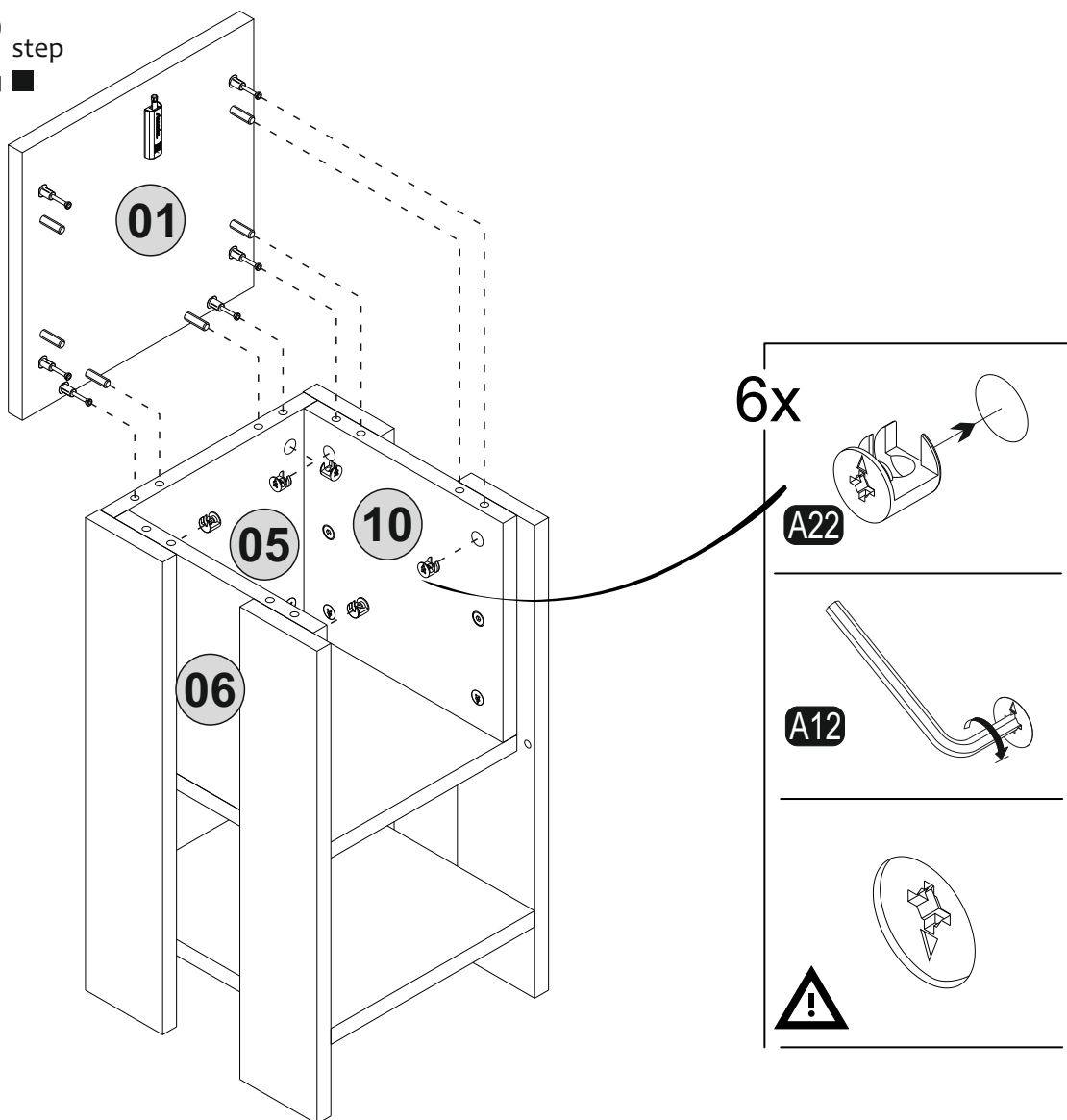
10_{step}



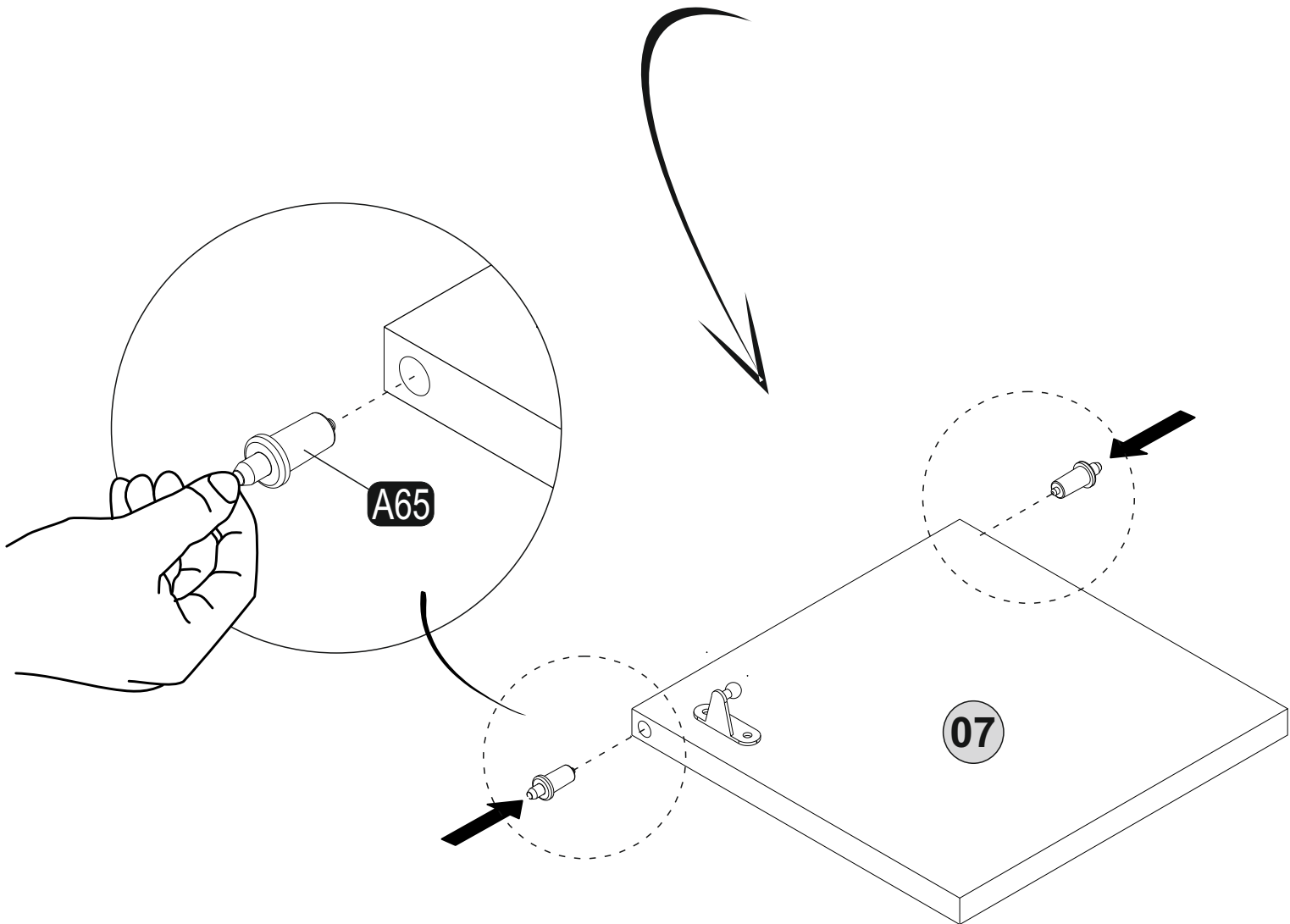
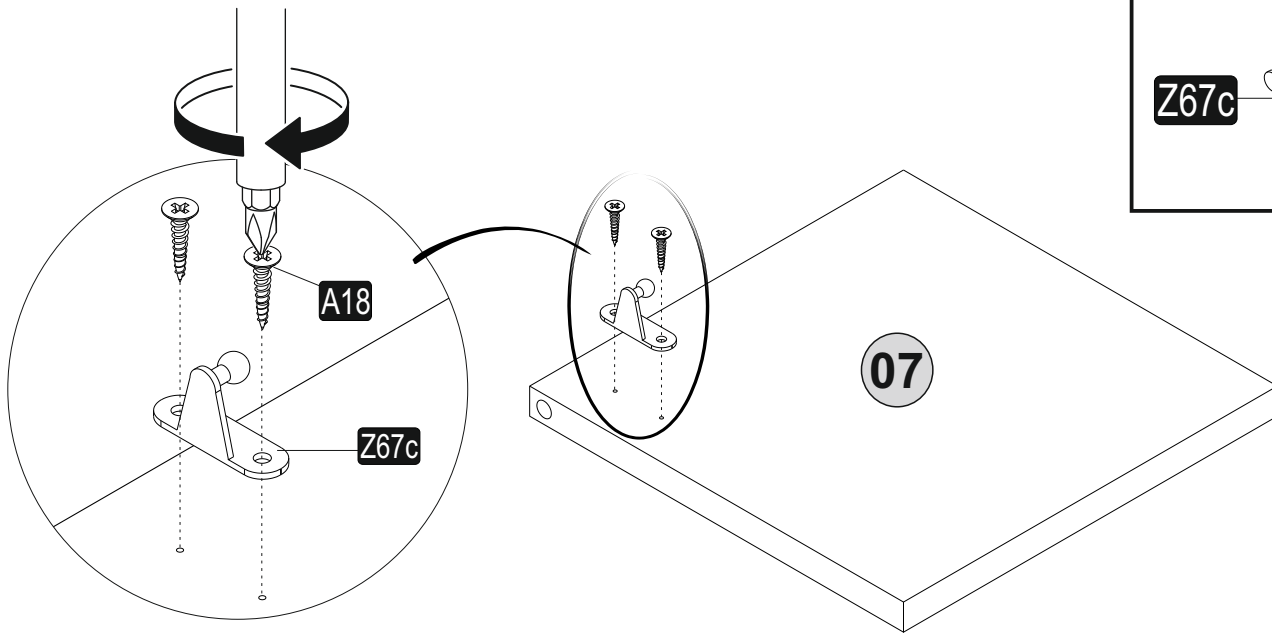
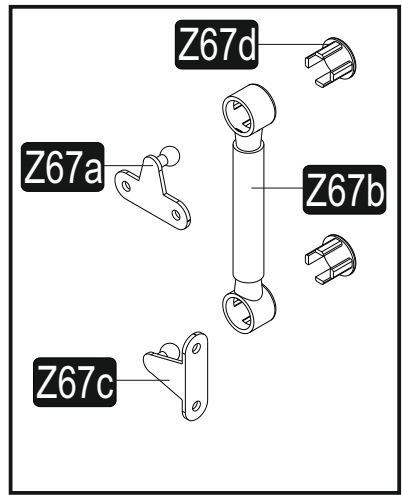
11.^{step}



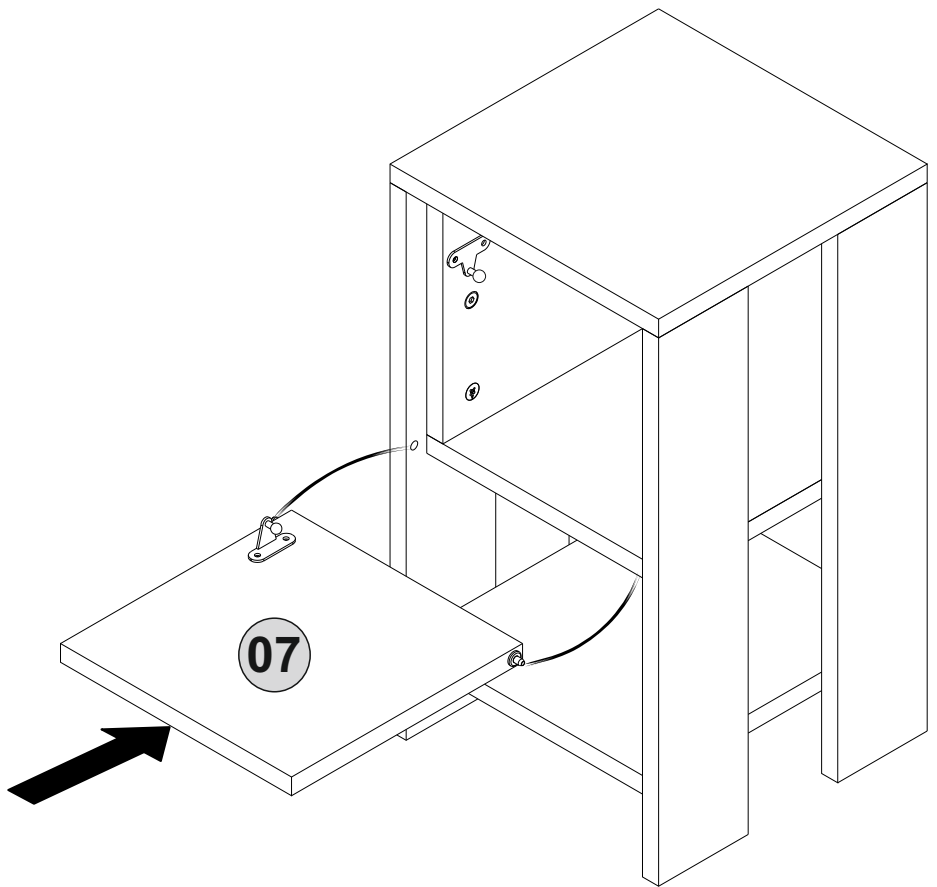
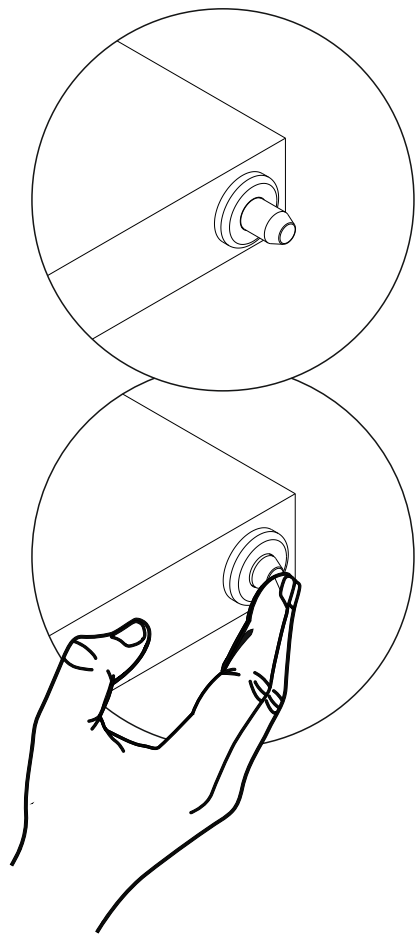
12.^{step}



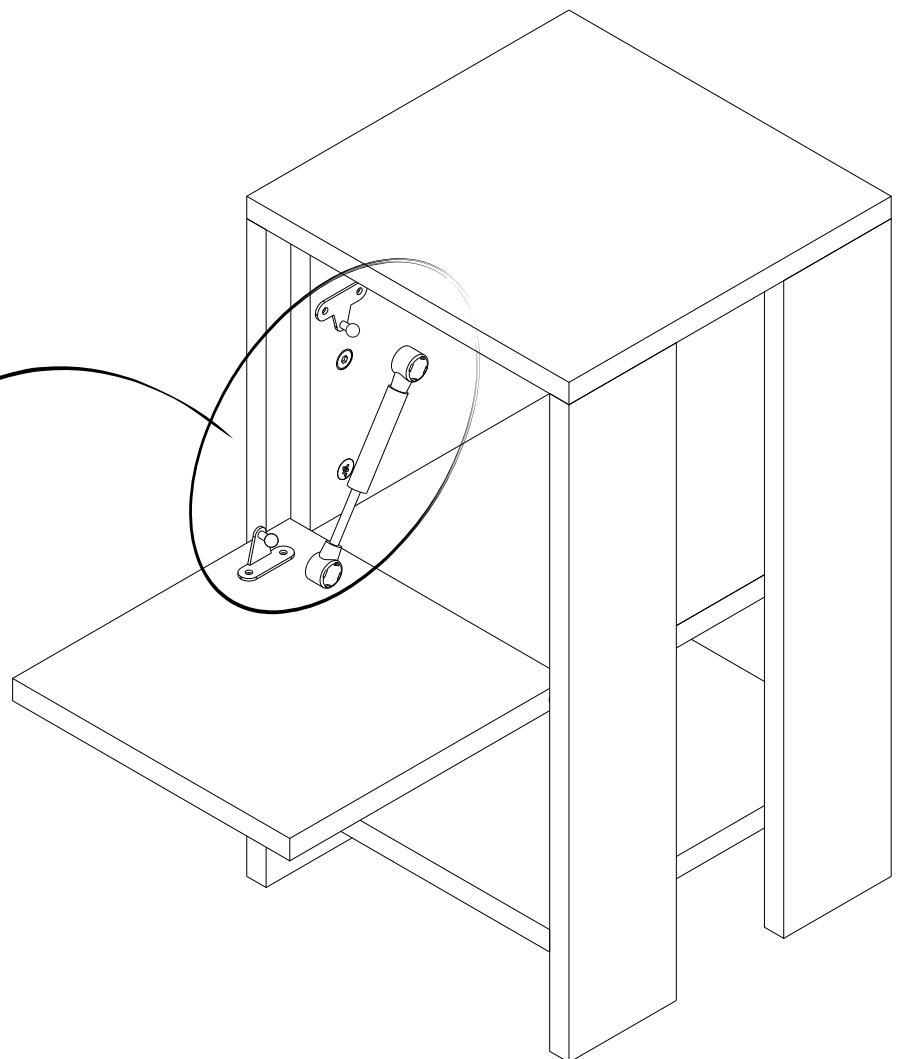
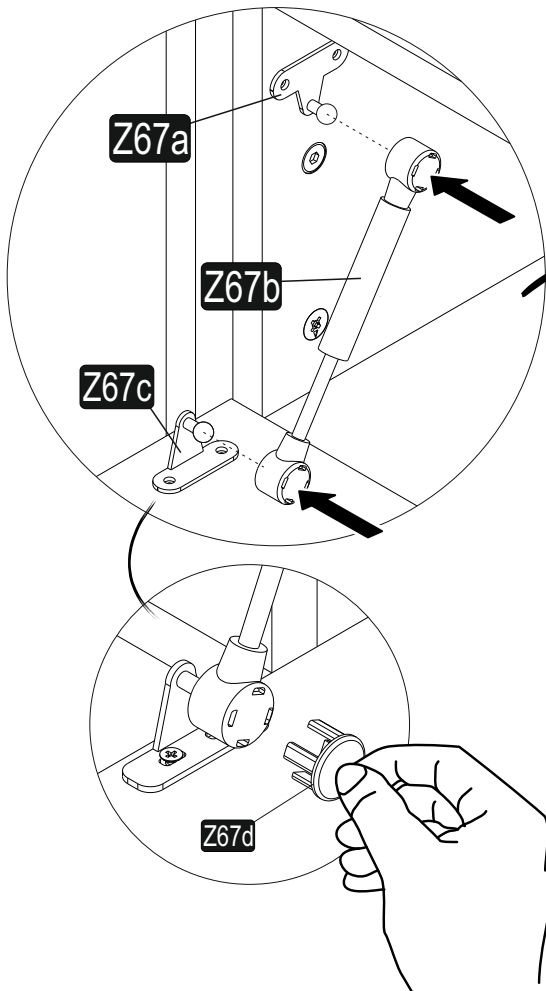
13^{step}



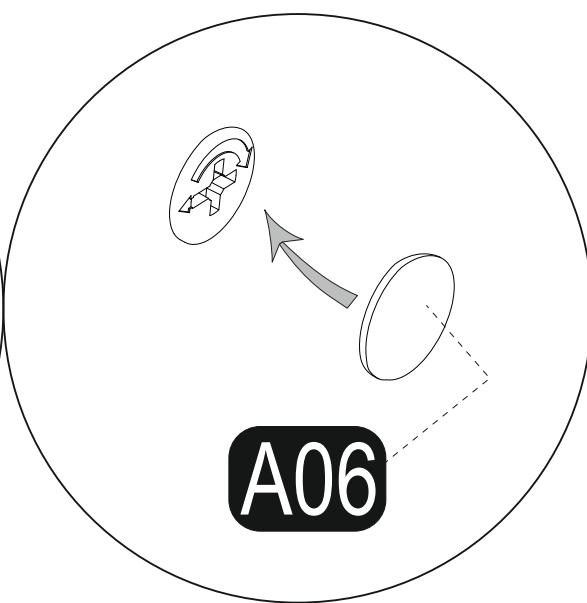
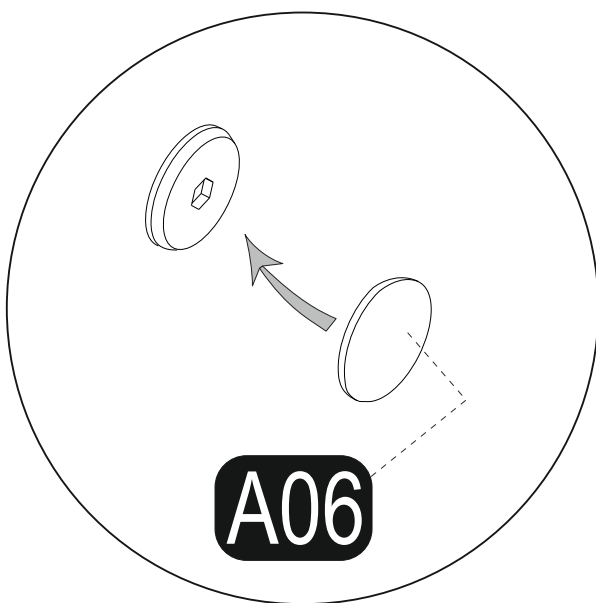
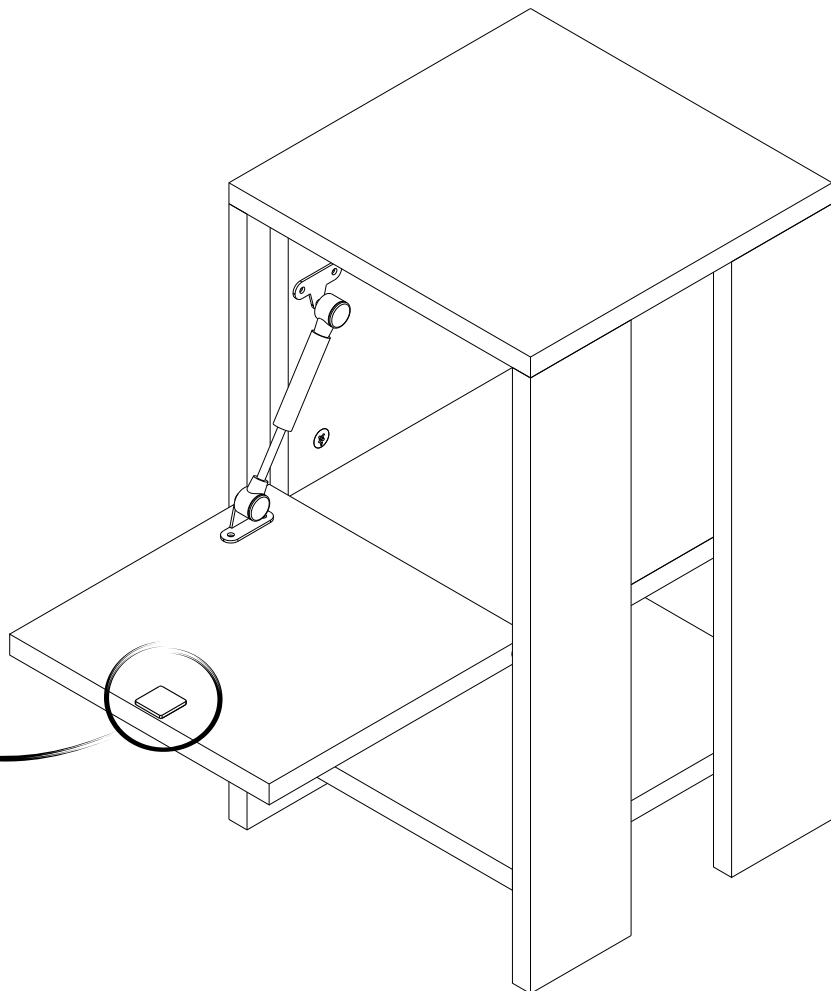
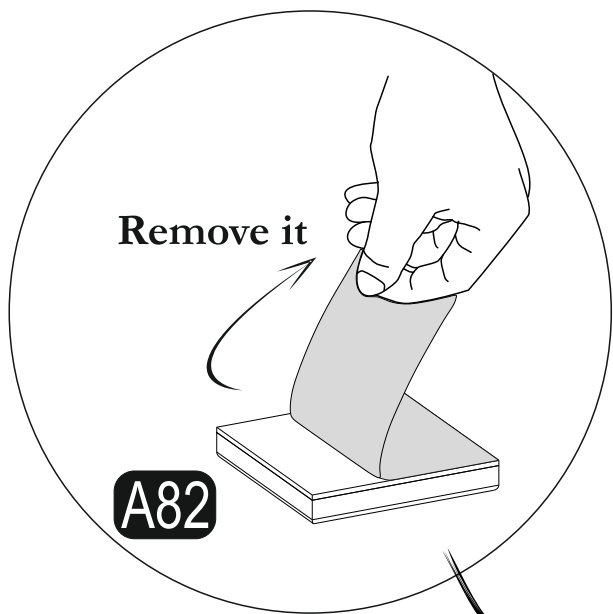
14. step



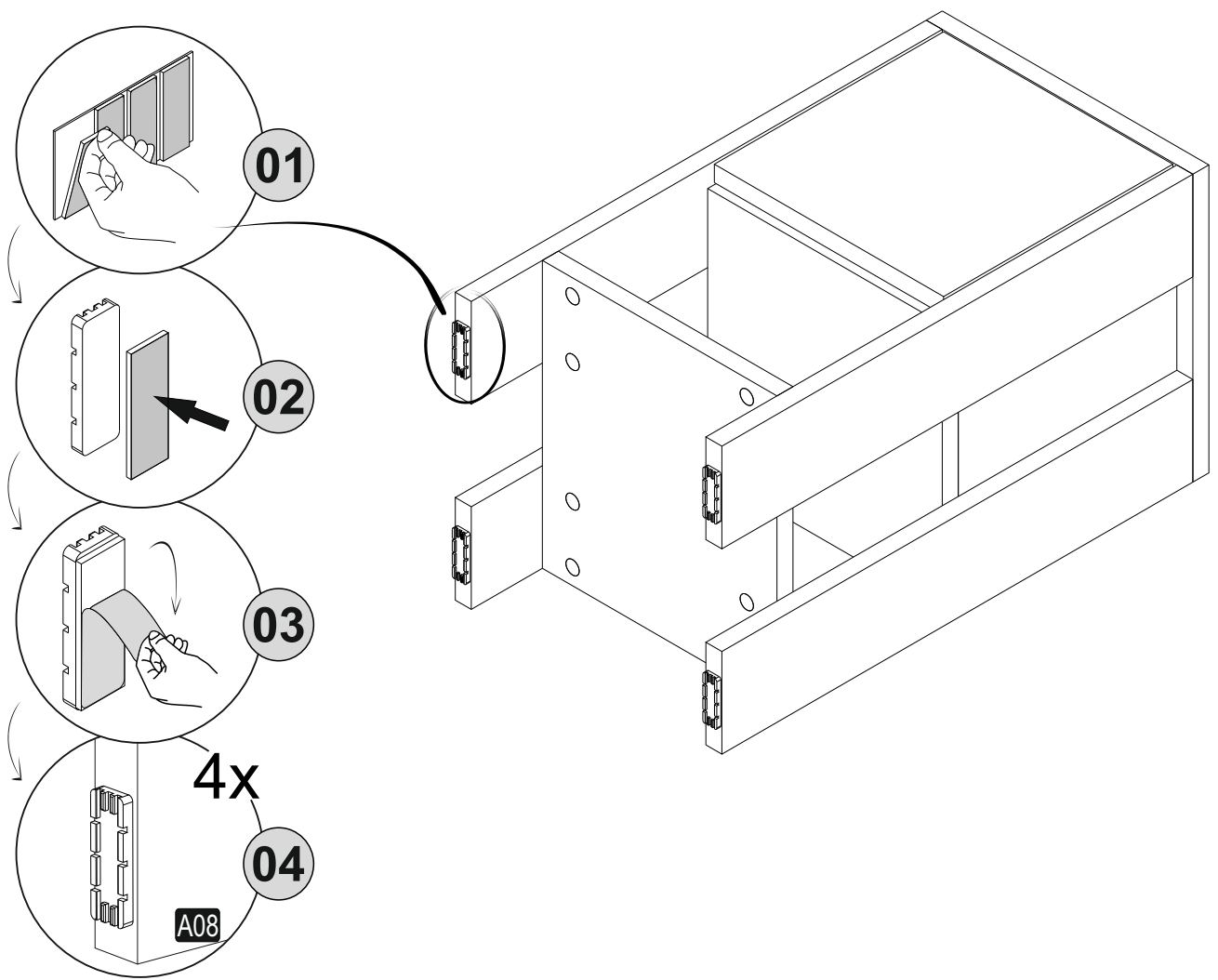
15. step



16^{step}



17. step



18. step

