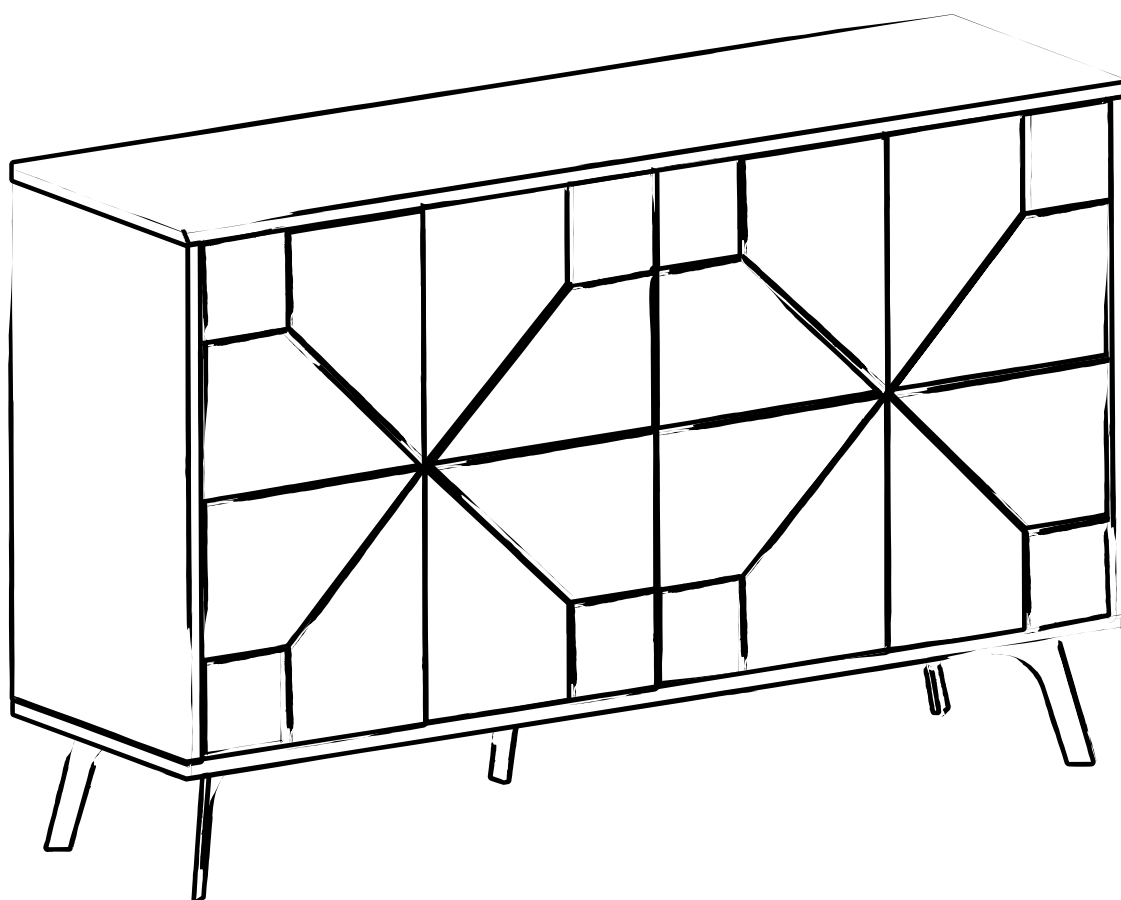
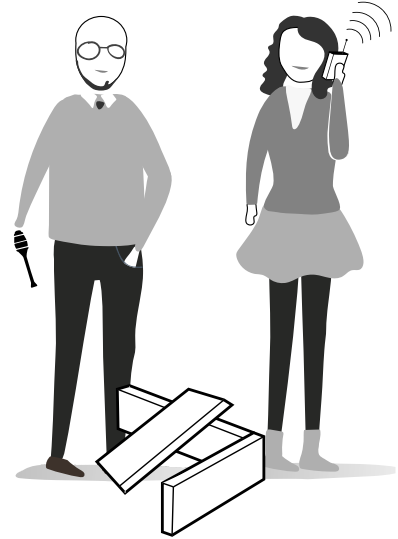
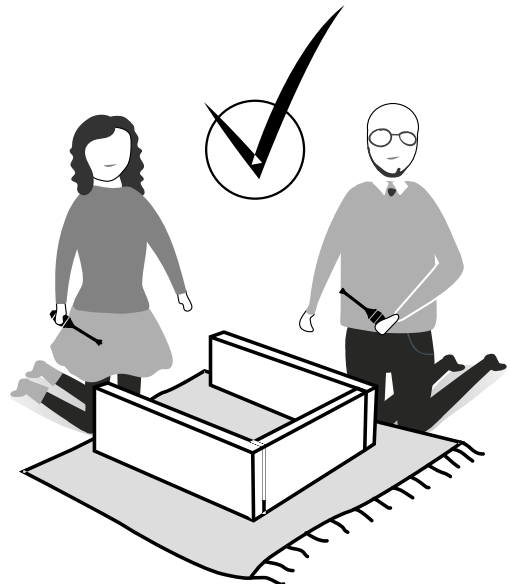
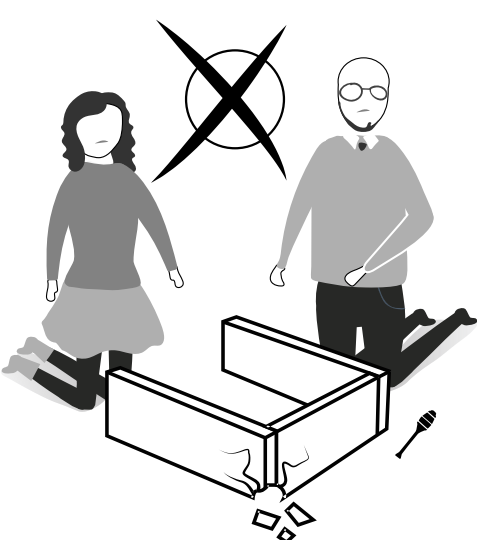
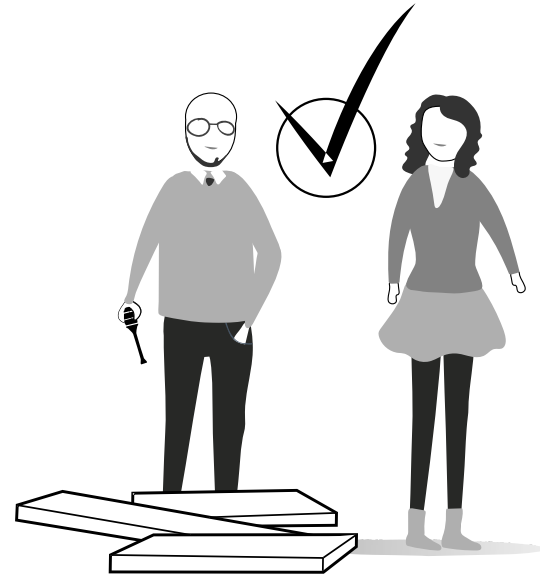
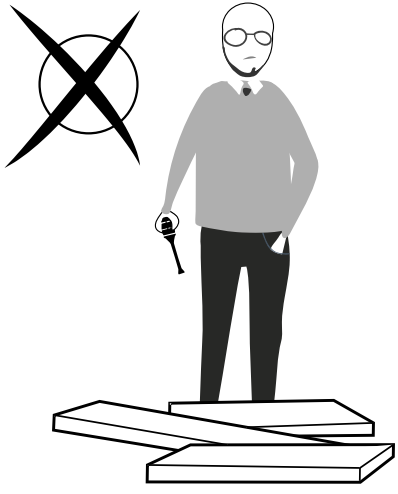


GP037-0008,2

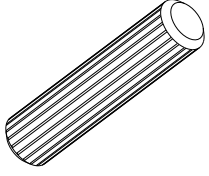




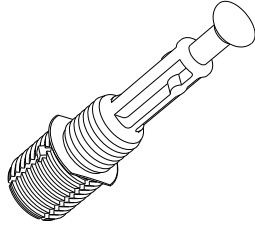
ATTENTION !!

Minifix is the main connection material used in our products.
Before starting assembly, please check the drawings below.

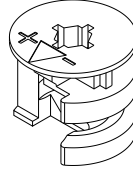
A04



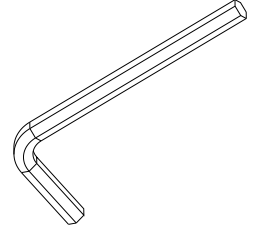
A23



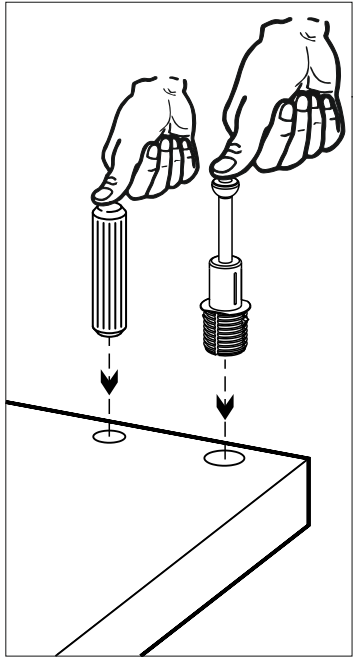
A22



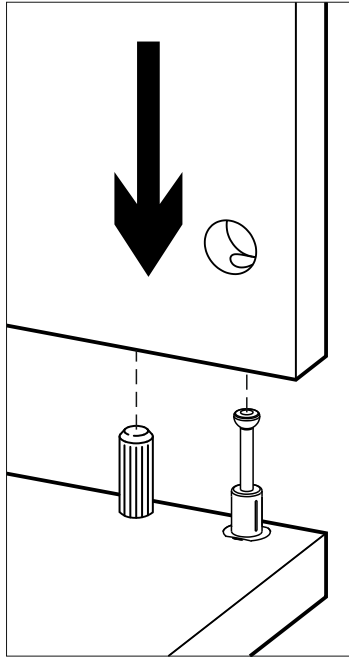
A12



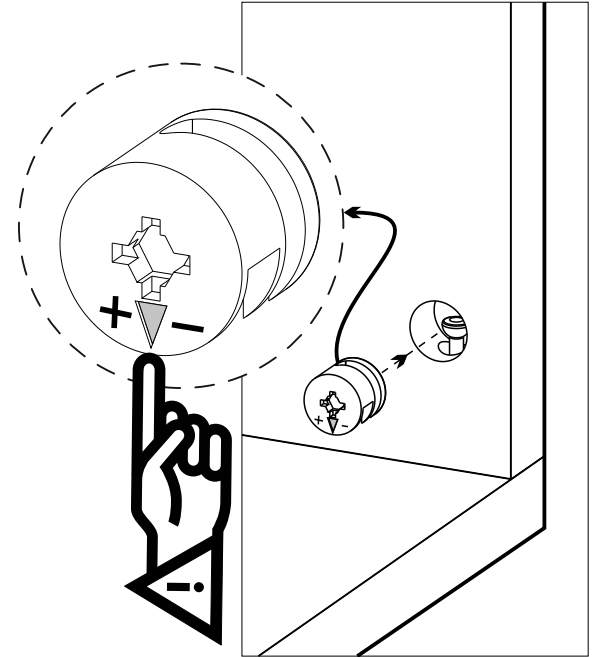
1



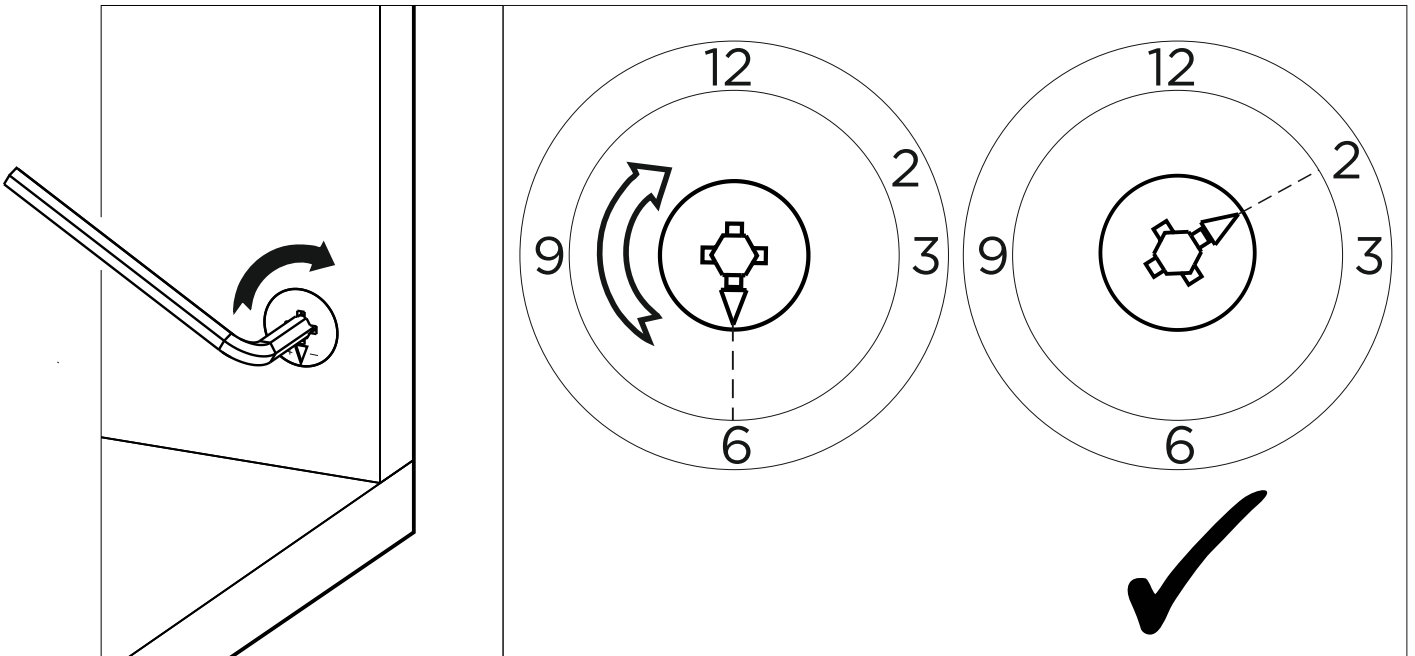
2



3



4



ATTENTION !!

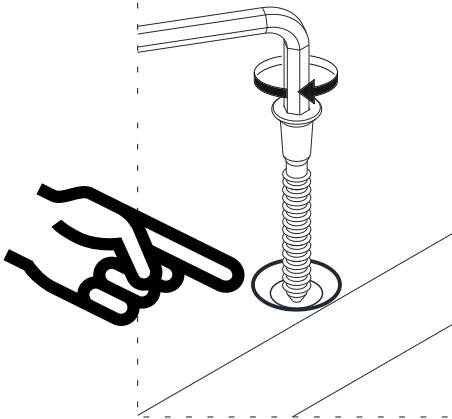
Our products are screw system. Before you proceed with installation try to understand the following



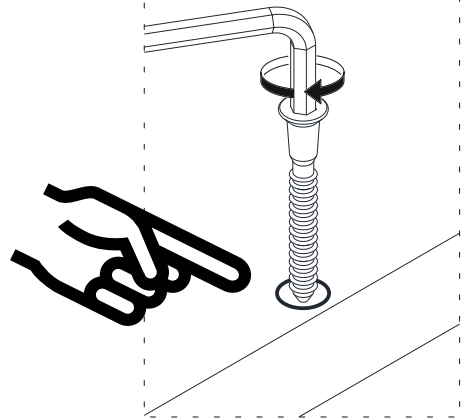
A13



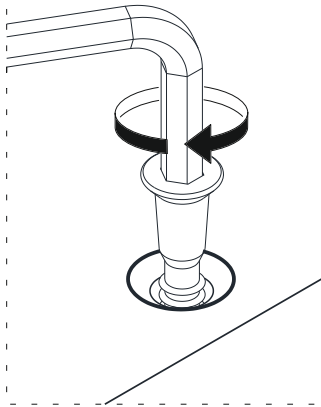
1



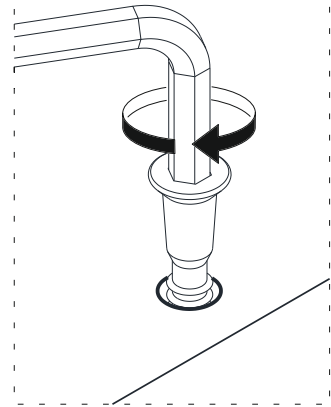
1



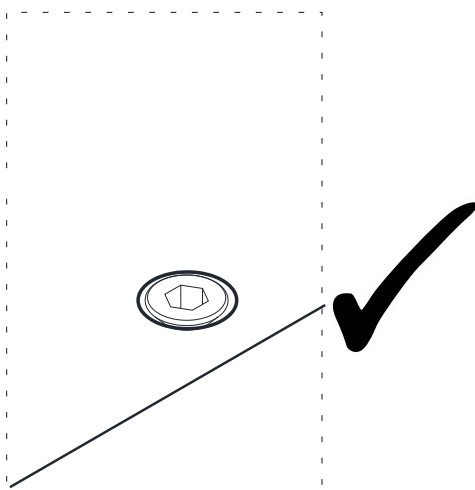
2



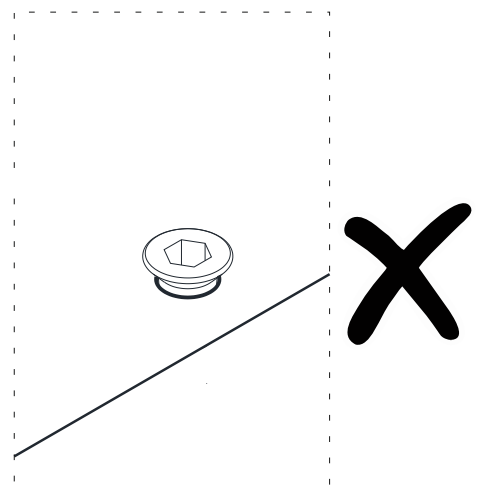
2



3



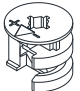

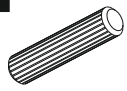

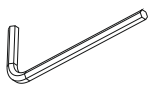
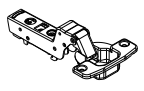
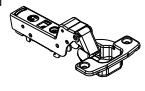
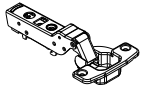
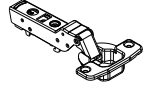





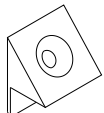

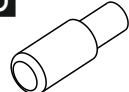
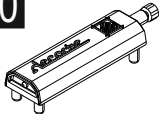
3

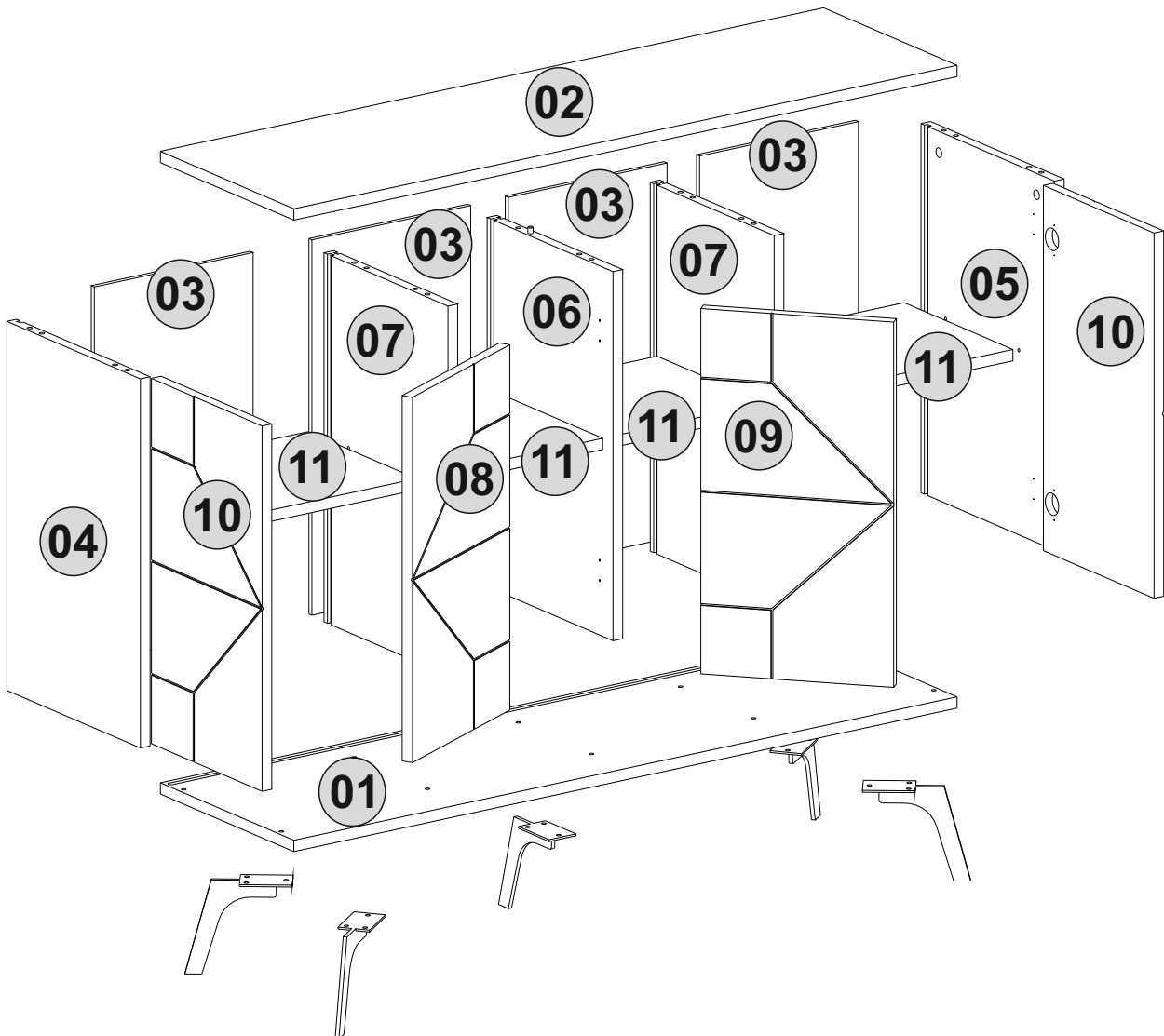


Follow the installation steps in the order as shown.
Position the parts as shown in the installation guide steps.

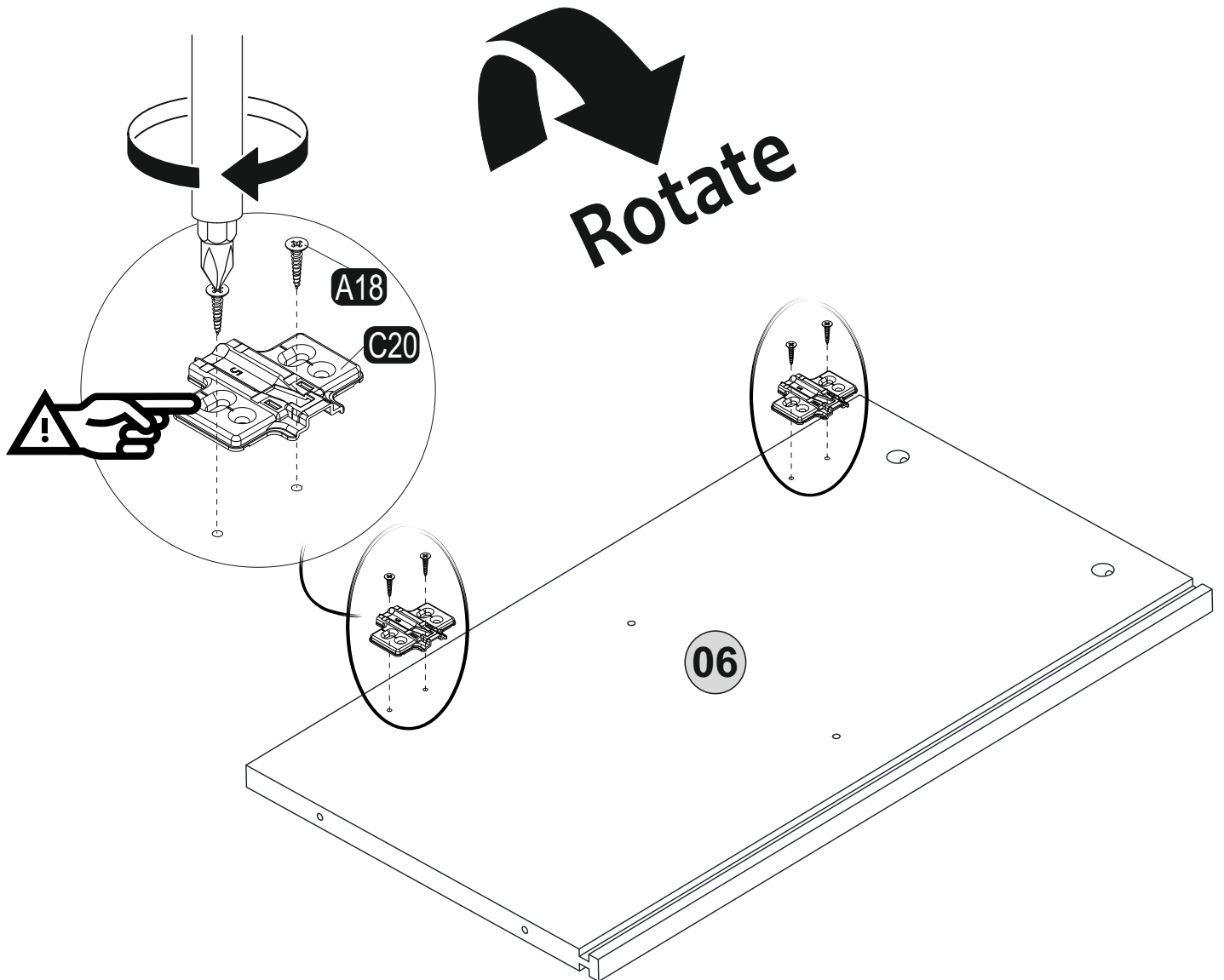
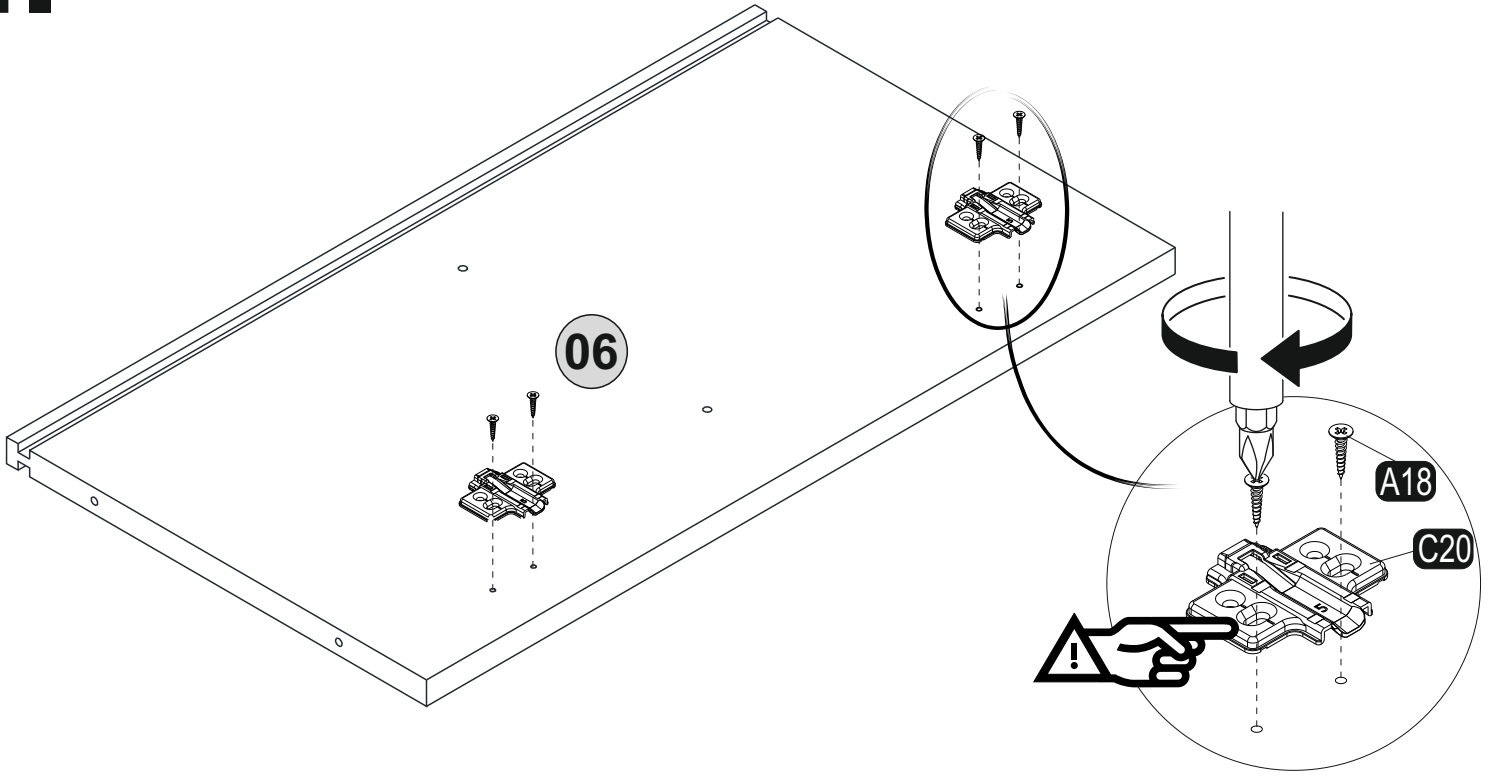


ACCESSORY LIST

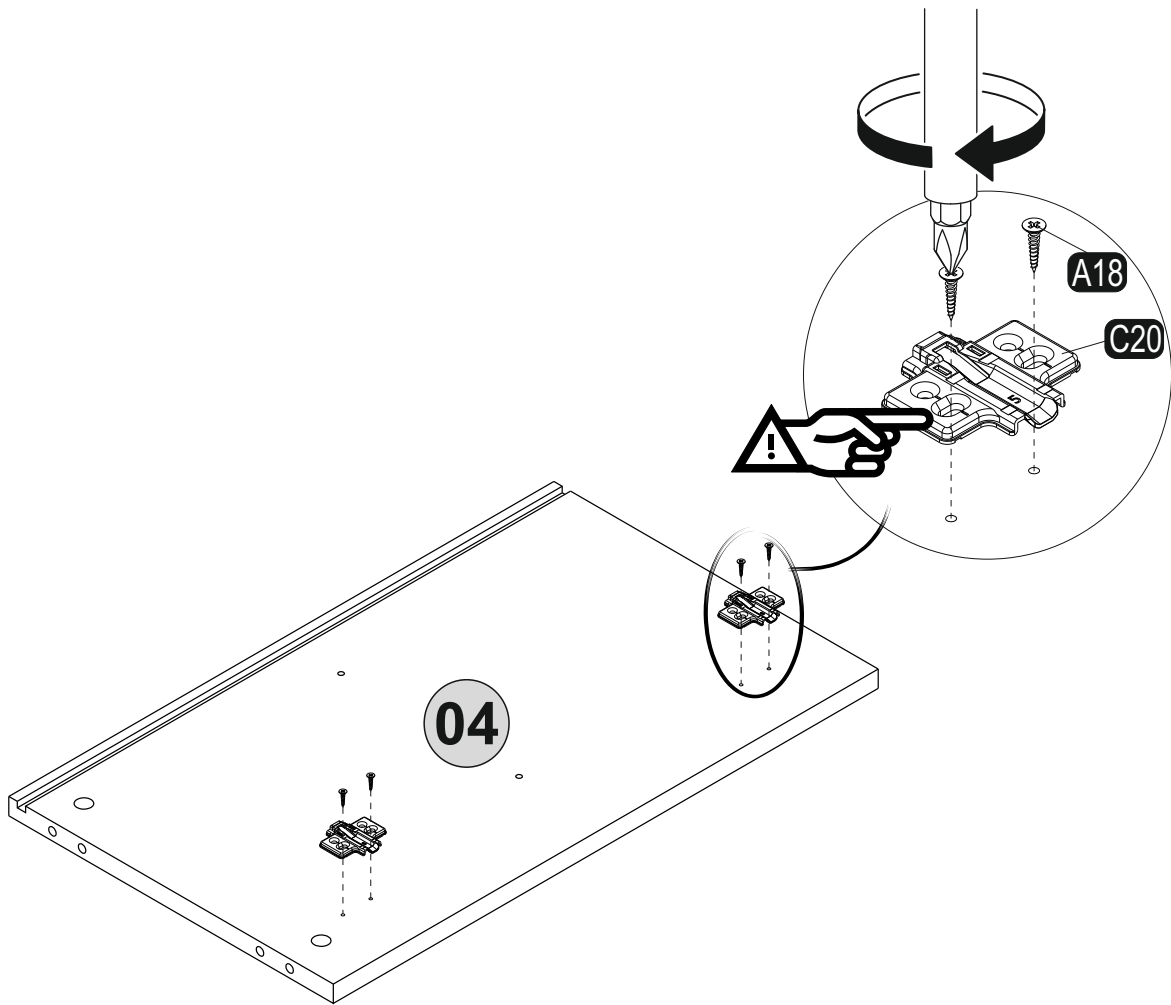
A22 Minifix k18  10x	A23 Minifix M10  10x	A04 Ø8  10x	A13 50mm  10x	A12 4 SW  1x
C19 SdbF(S)  2x	C16 Sdb(S)  2x	C18 YdbF(S)  2x	C15 Ydb(S)  2x	C20 Mtk(S)  8x
A18 3,5x18  64x	B15 15 (black)mm  15x	A69 P.D.  15x	A06 18mm  10x	A25 ARK.PL  16x
Z72  5x	A48 Raf Pimi  16x	A80 bas ac  4x		



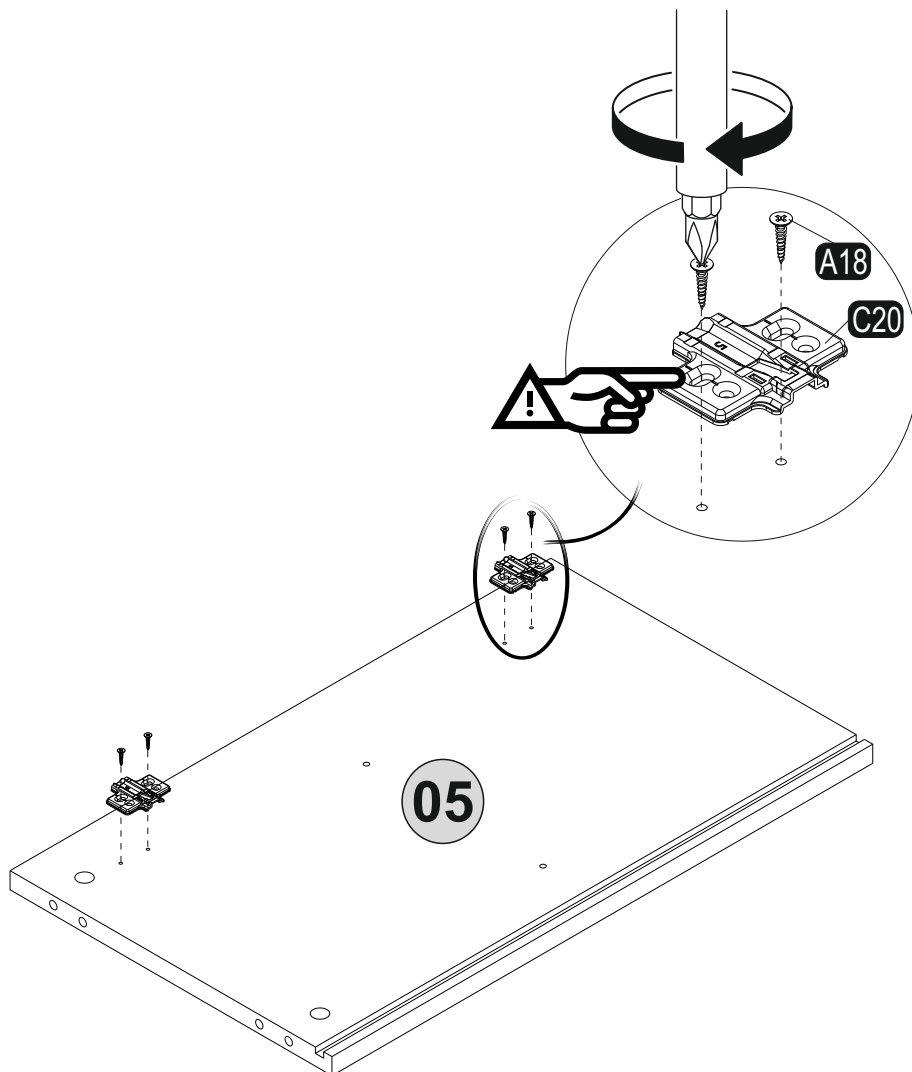
1. step



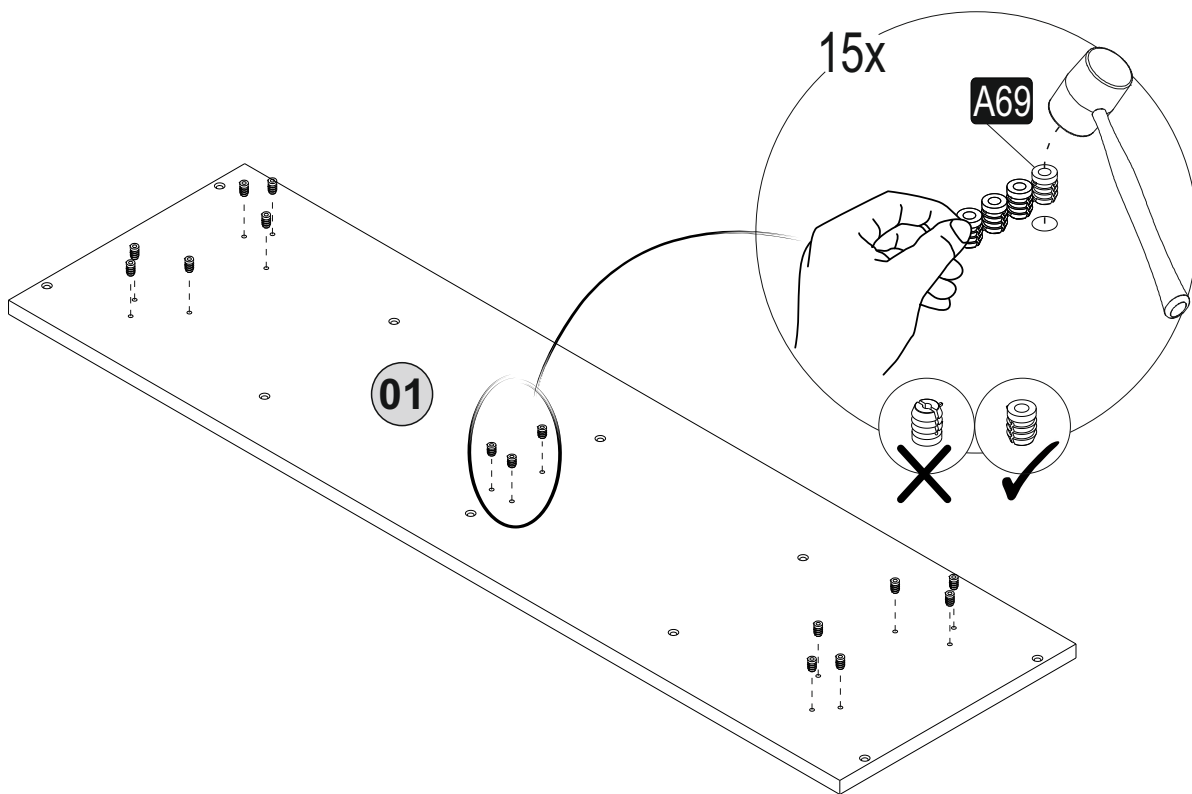
2_{step}



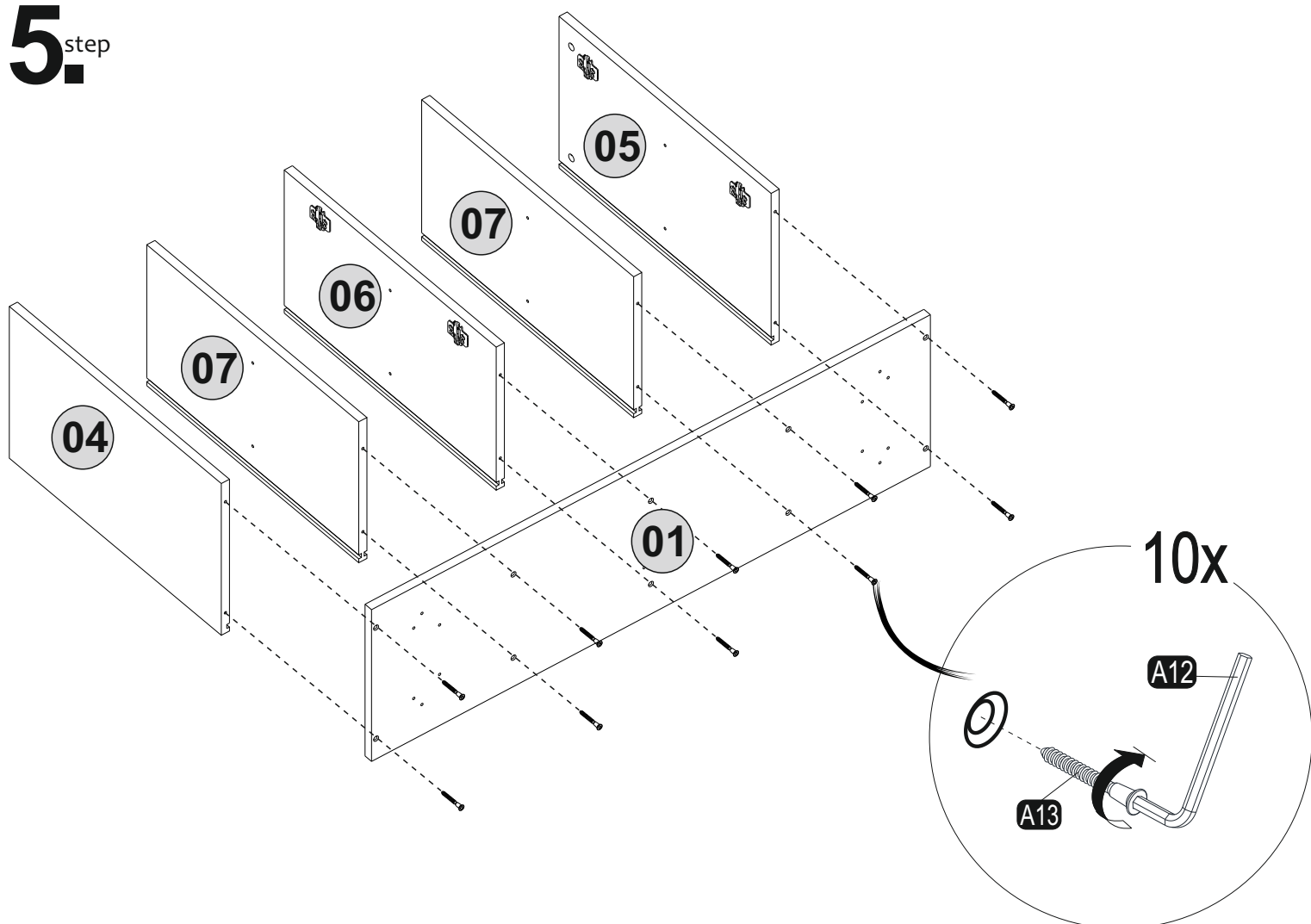
3_{step}



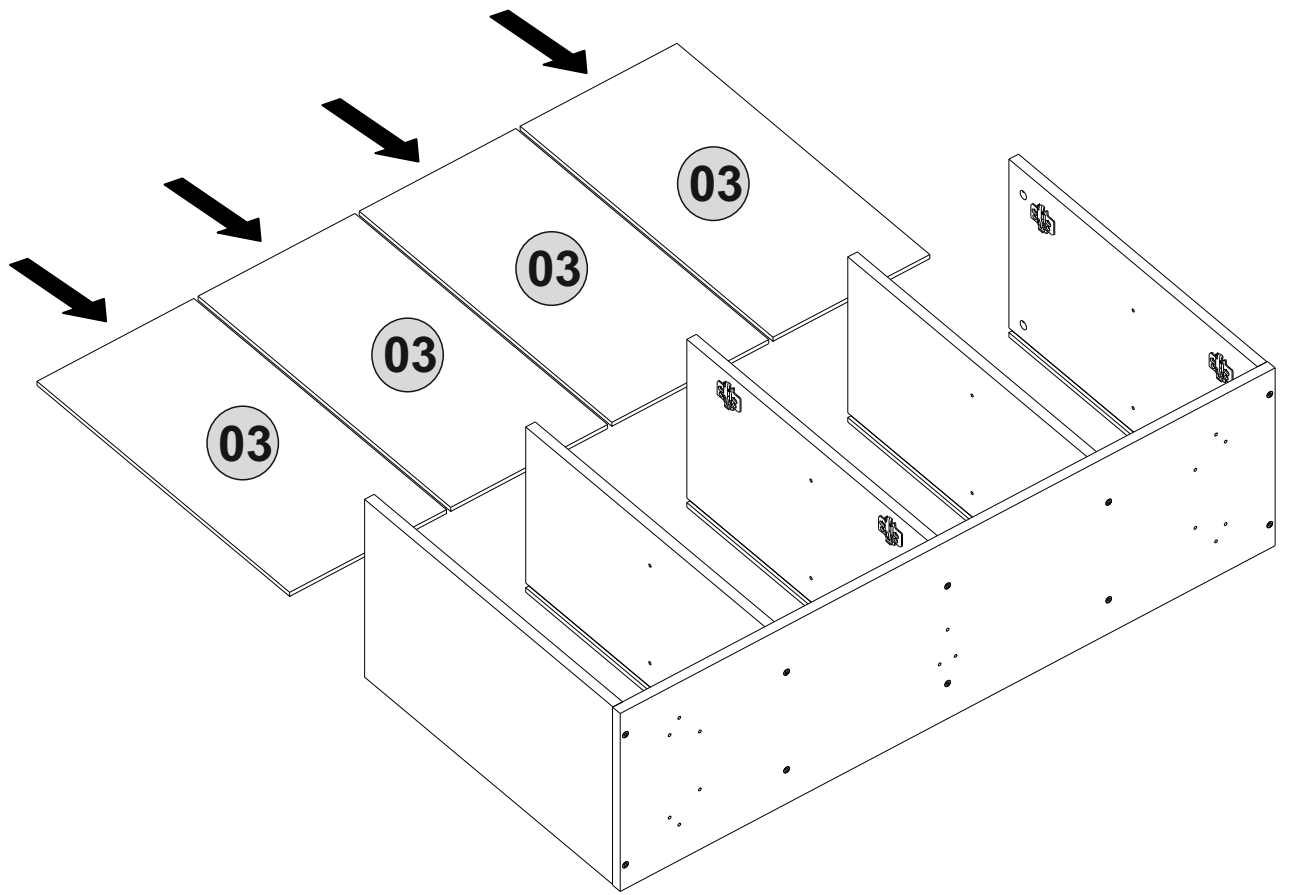
4^{step}



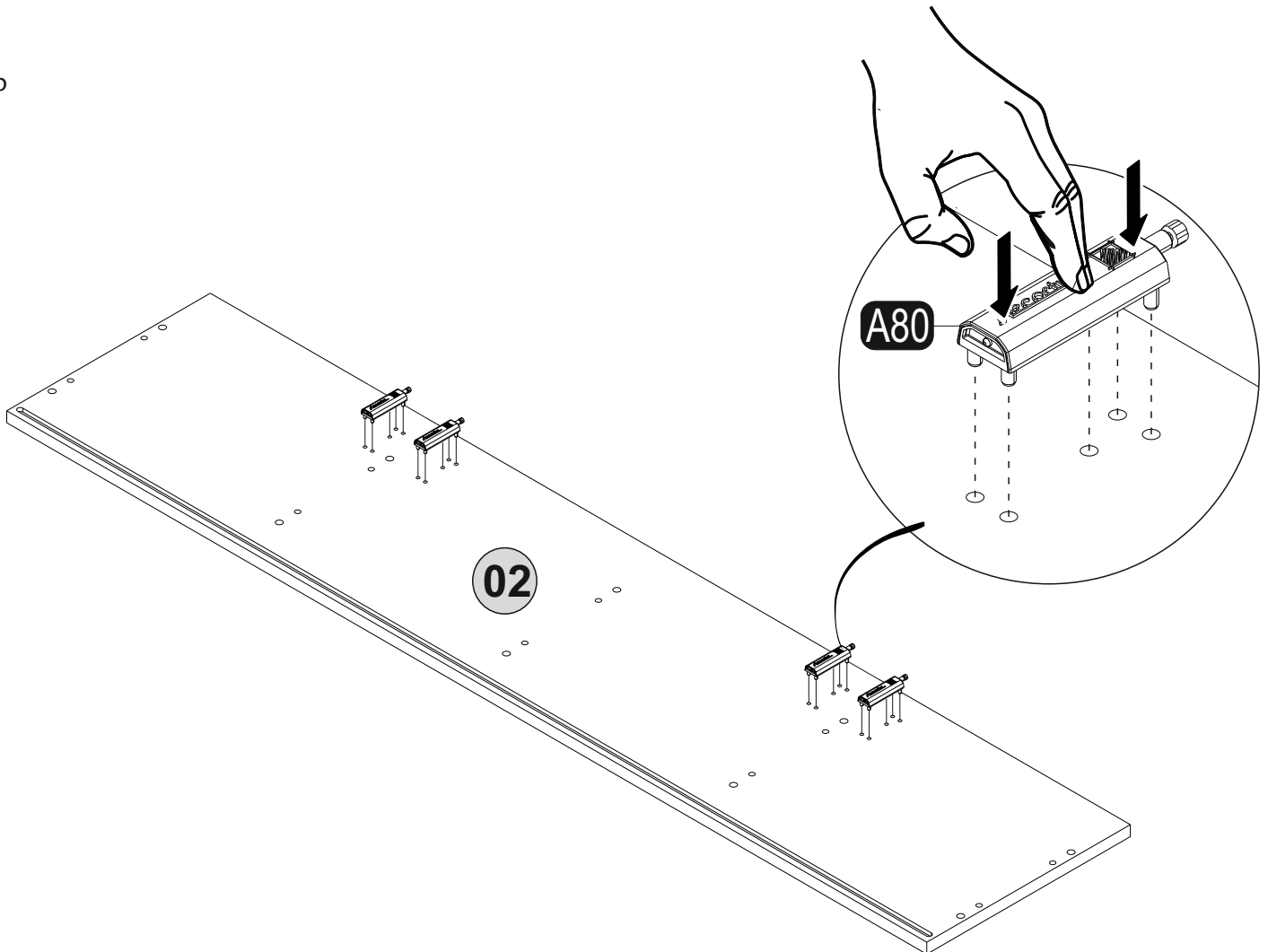
5^{step}



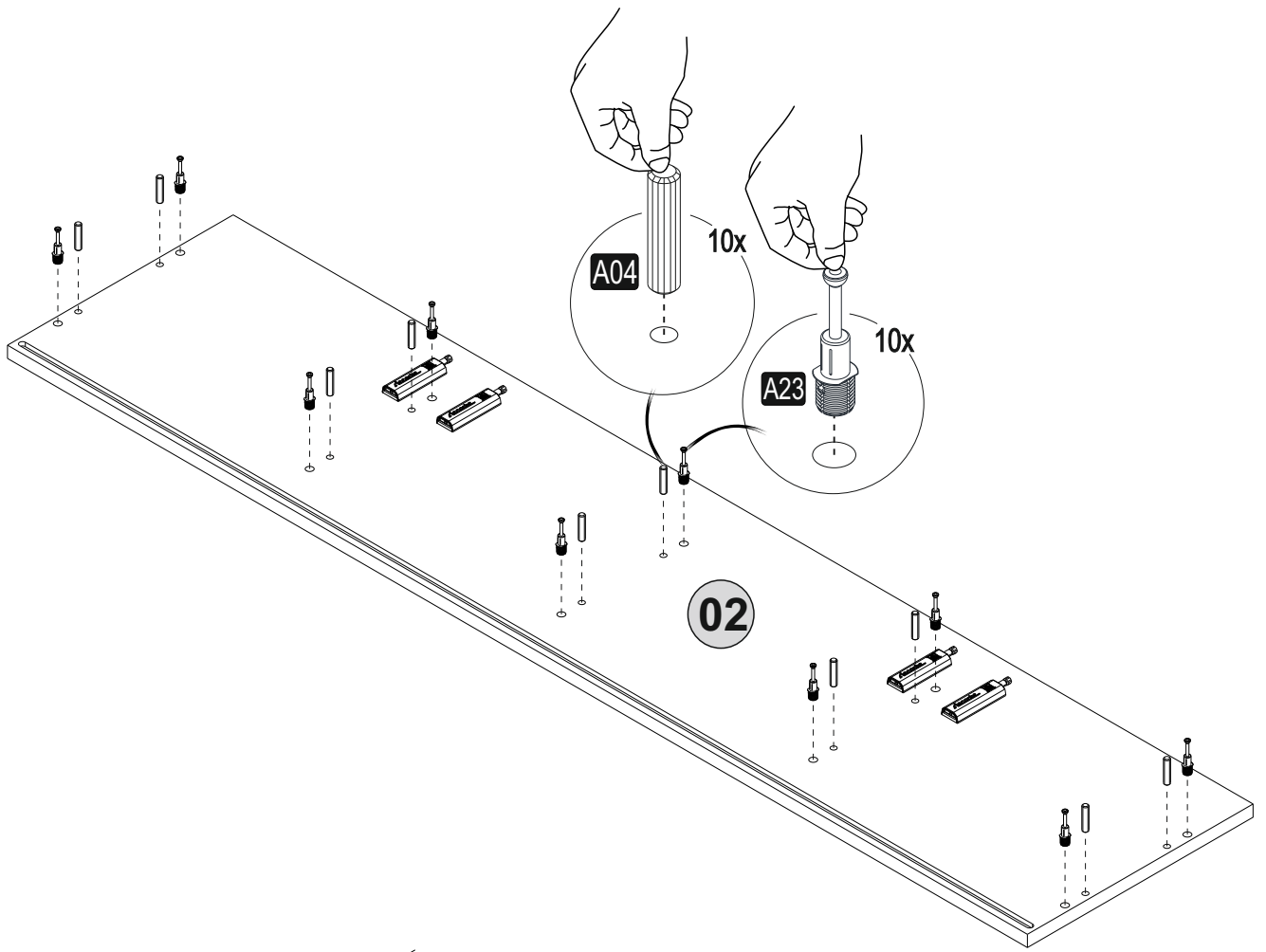
6^{step}



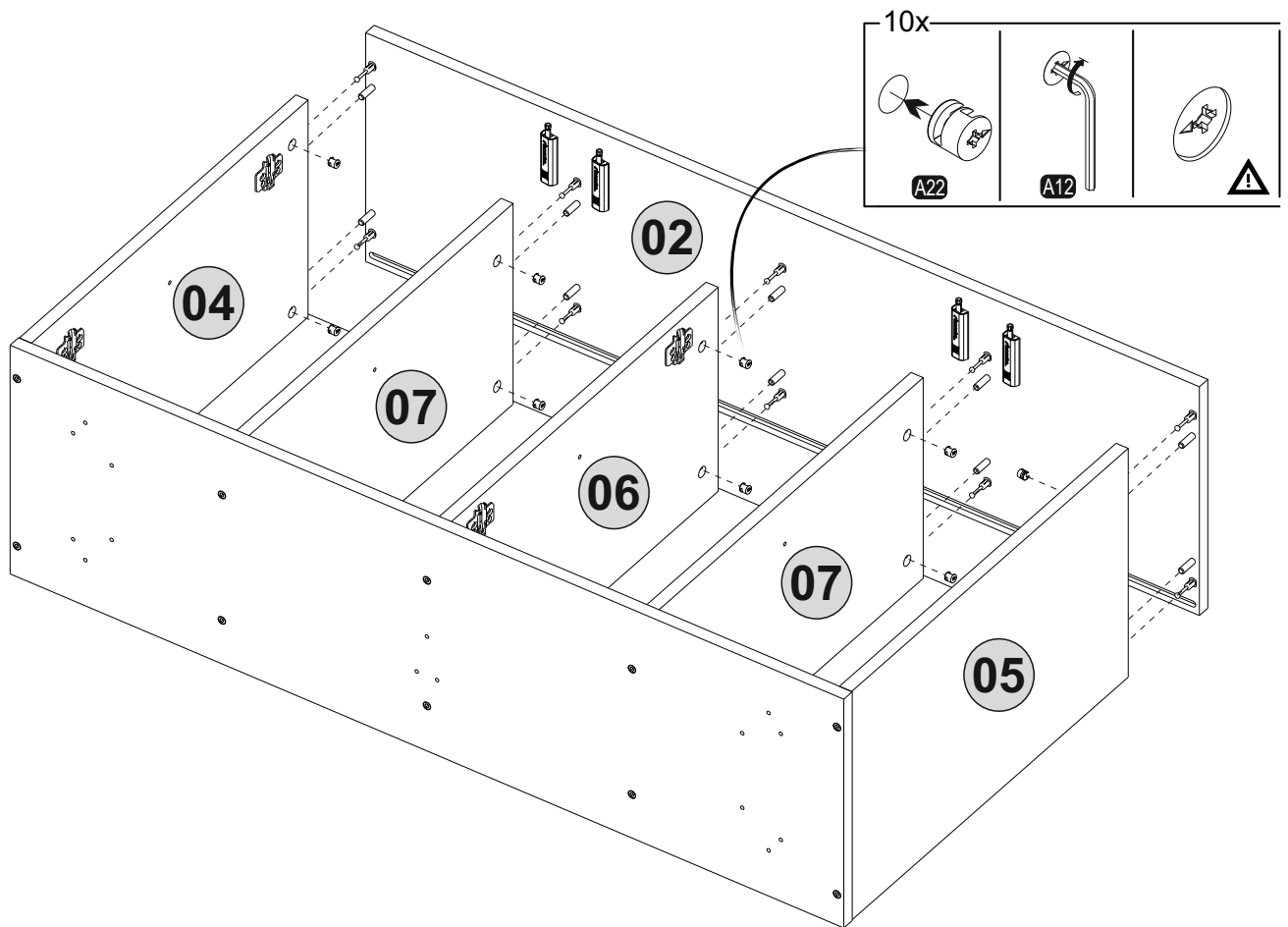
7^{step}



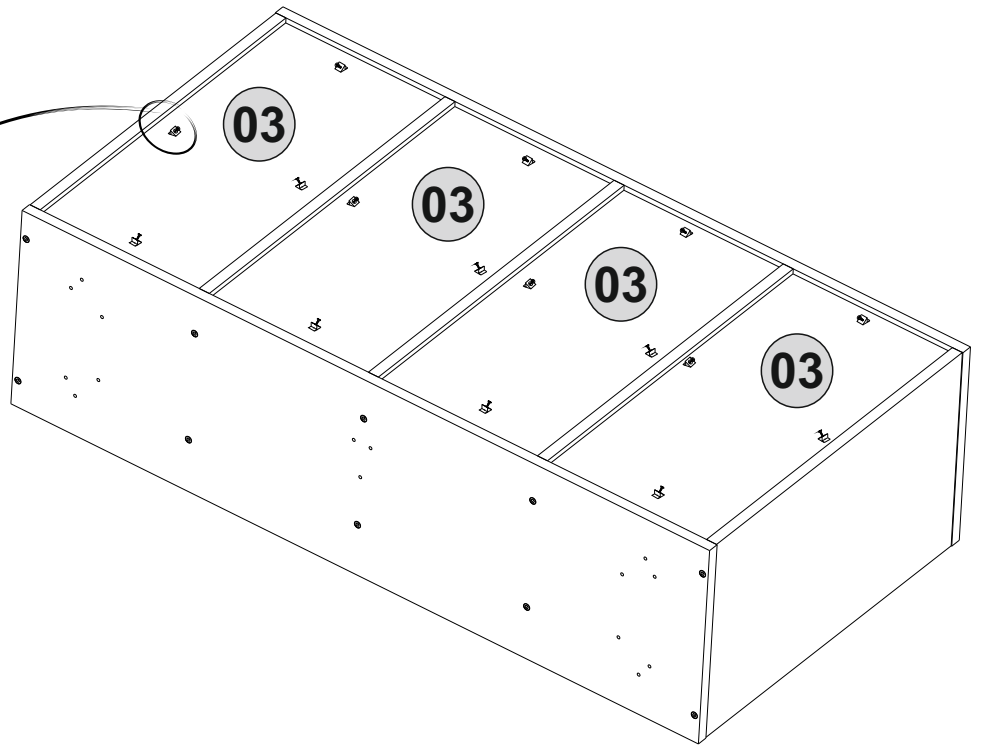
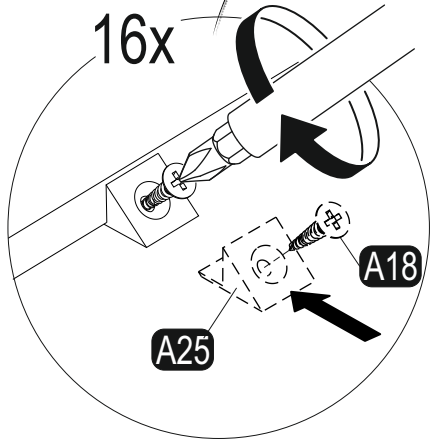
8^{step}



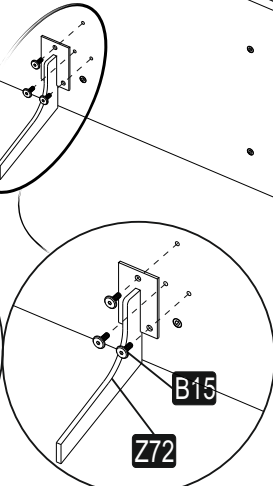
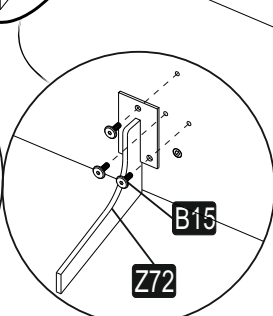
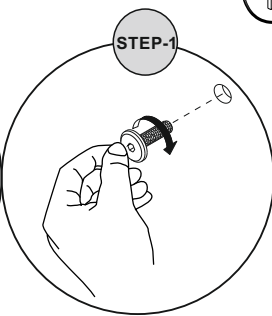
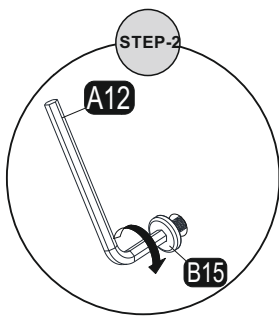
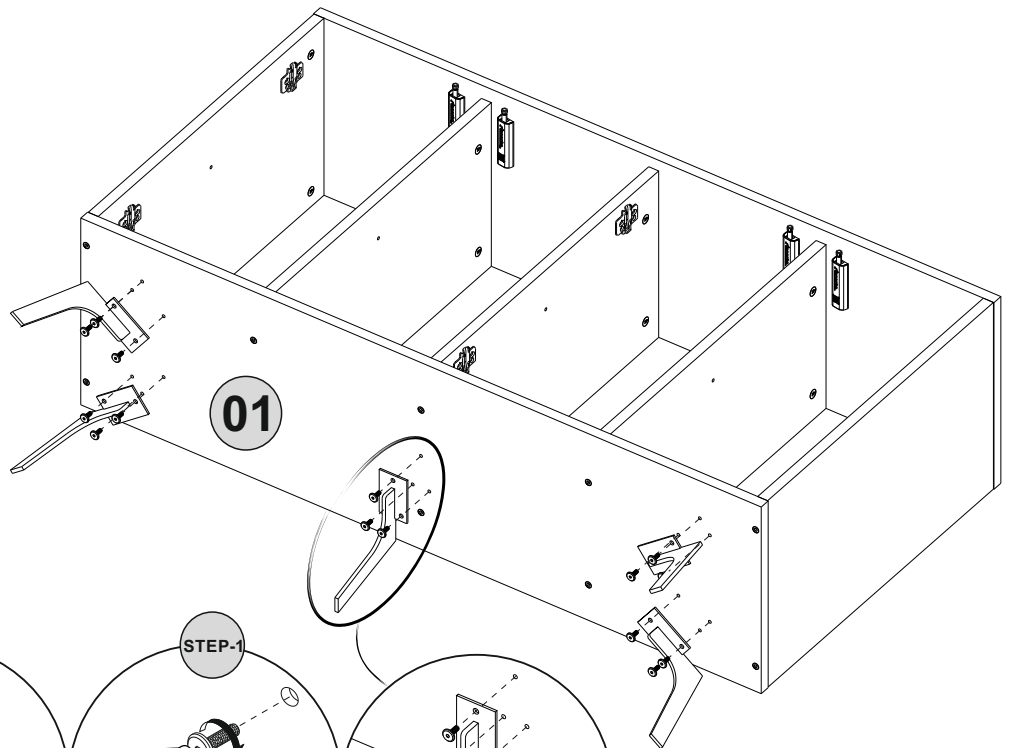
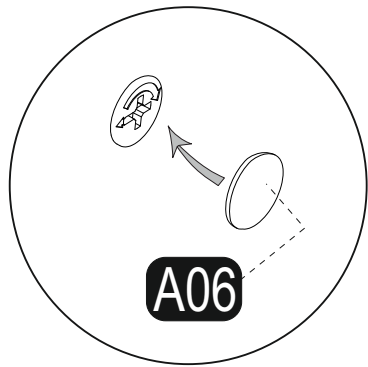
9^{step}



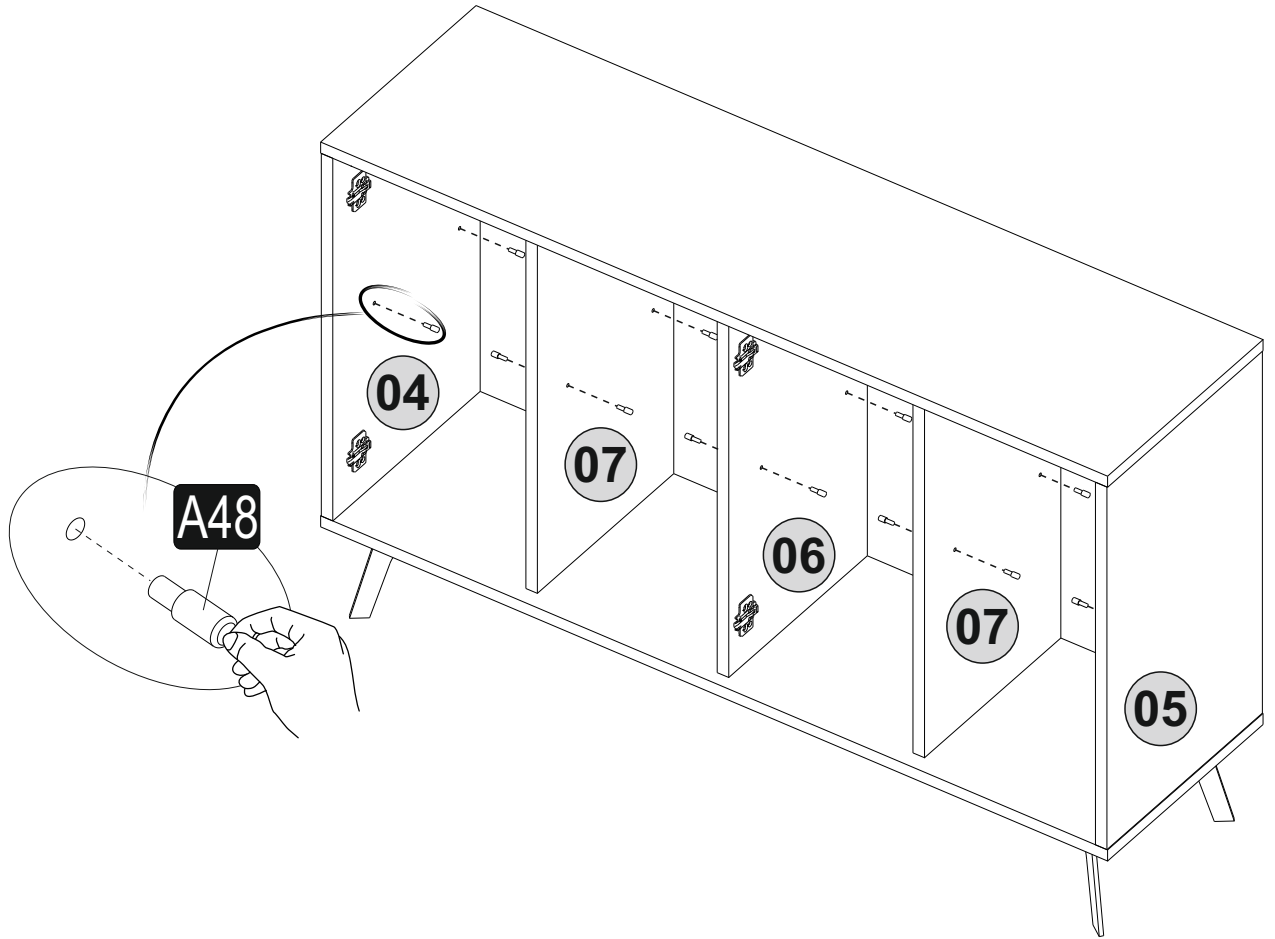
10. step



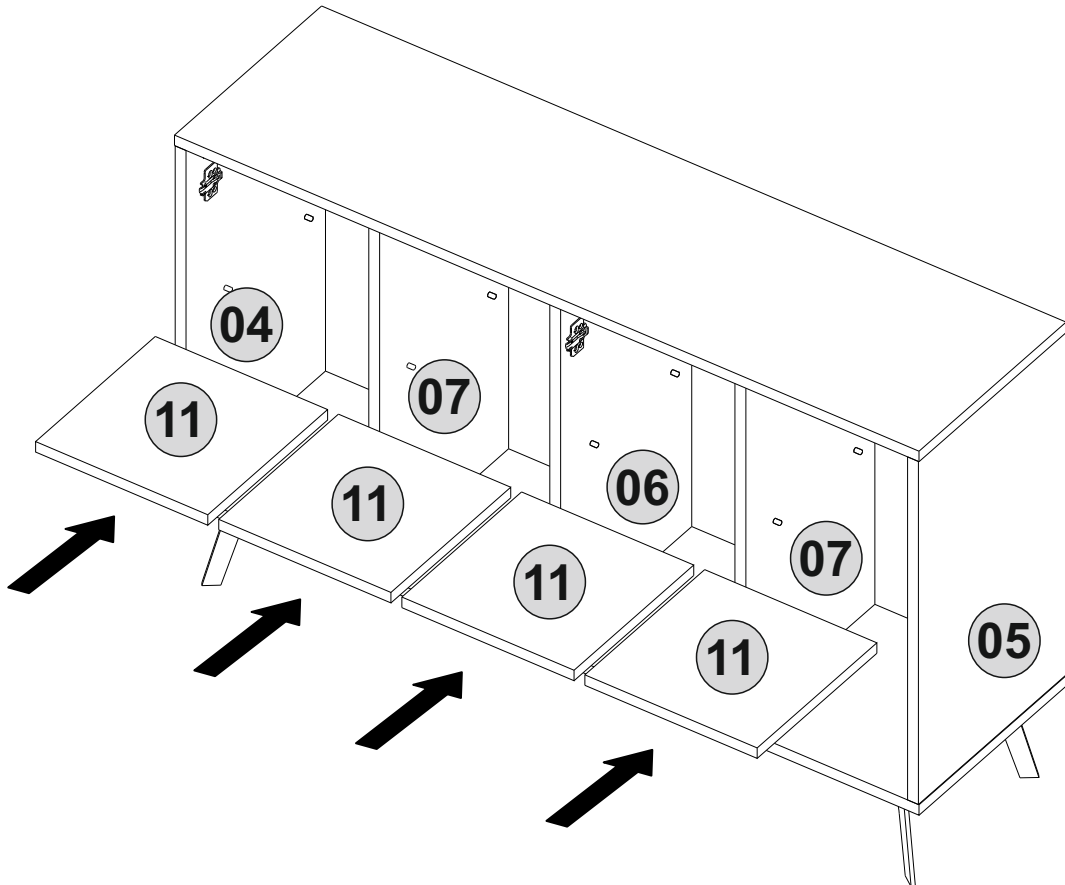
11. step



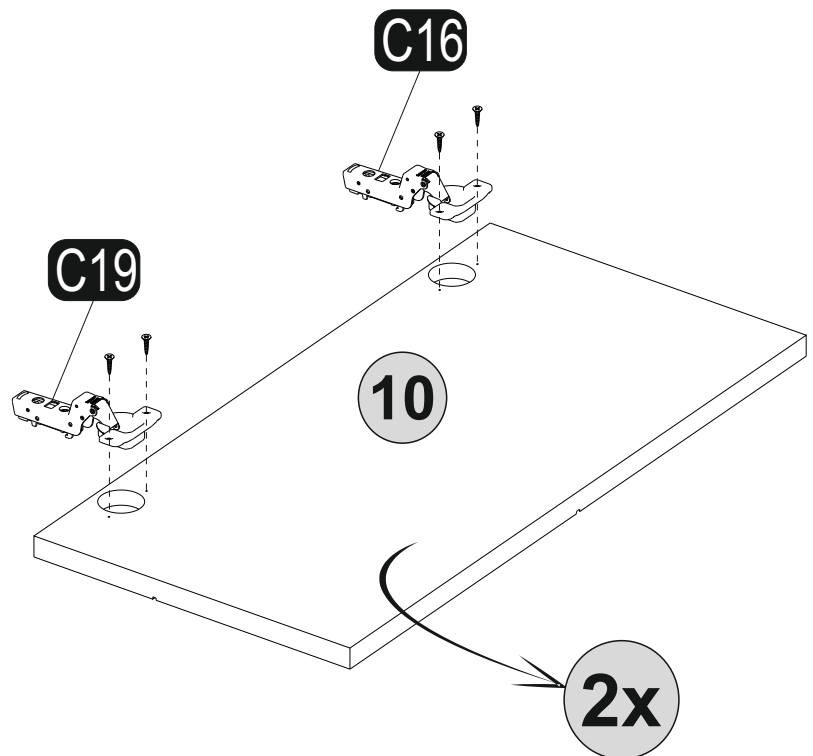
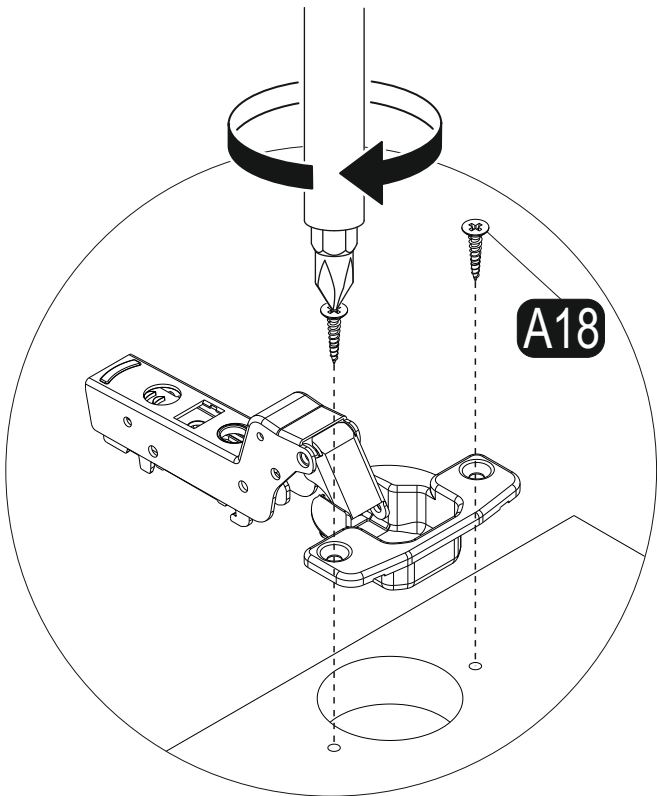
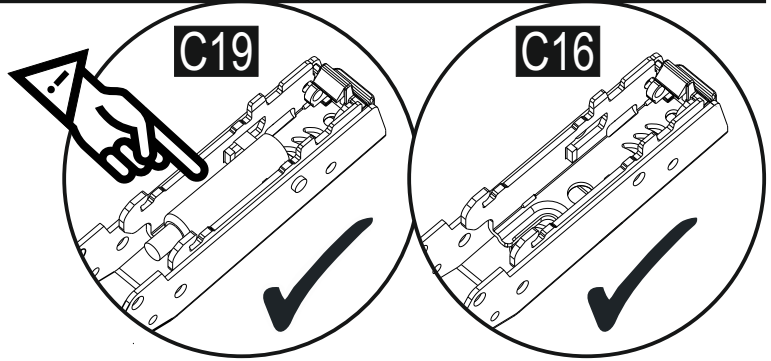
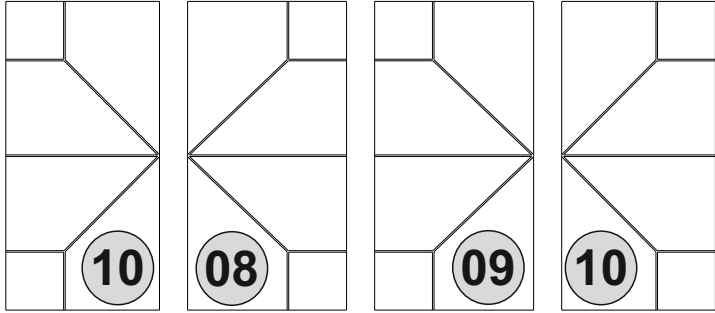
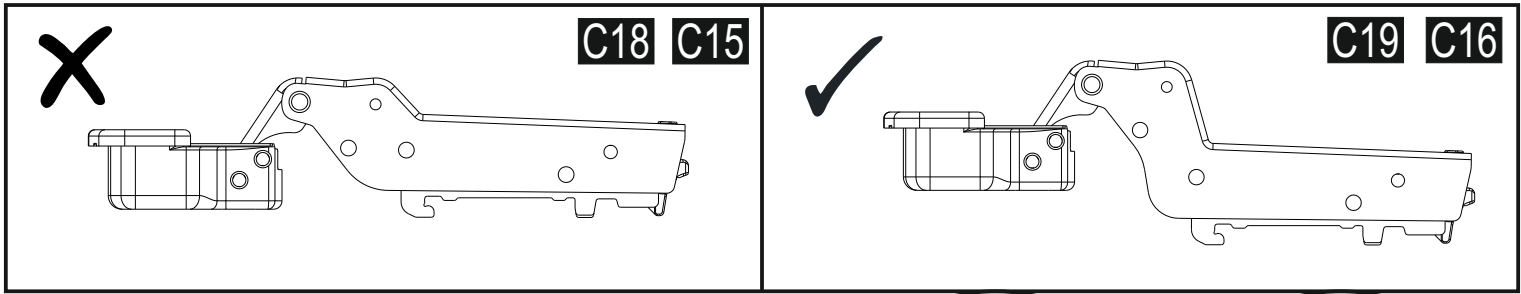
12.^{step}



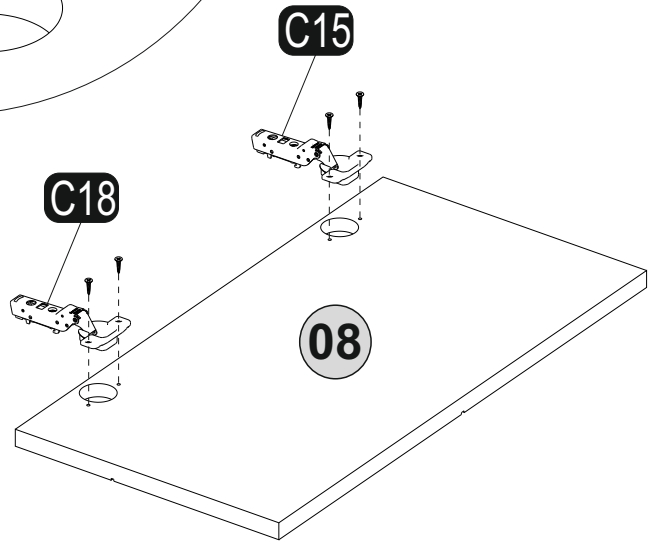
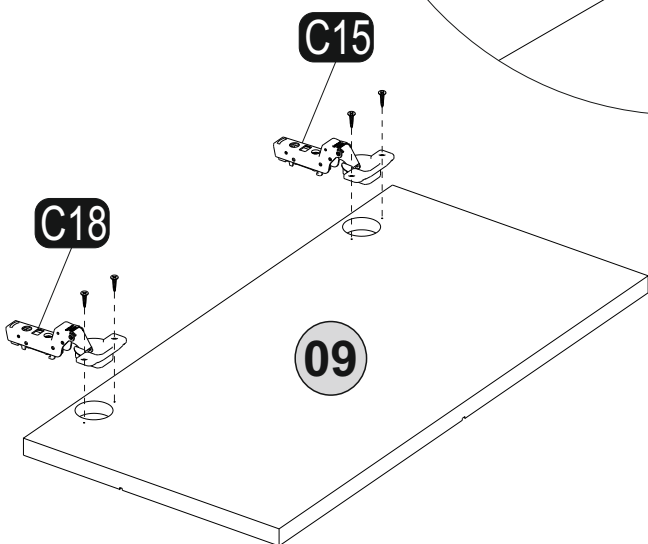
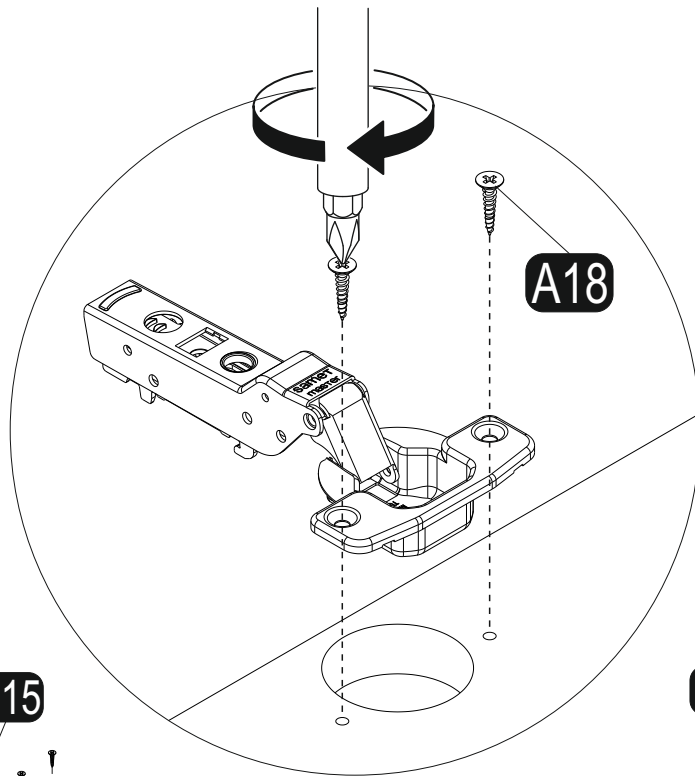
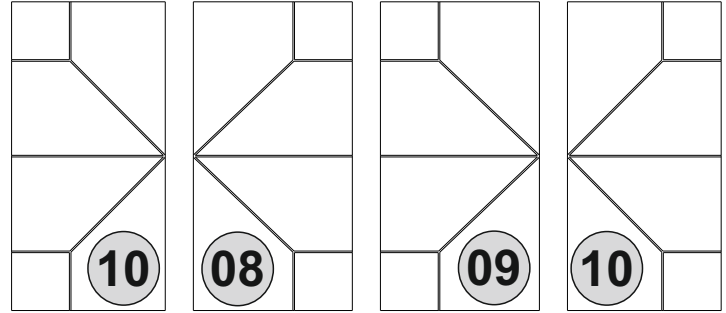
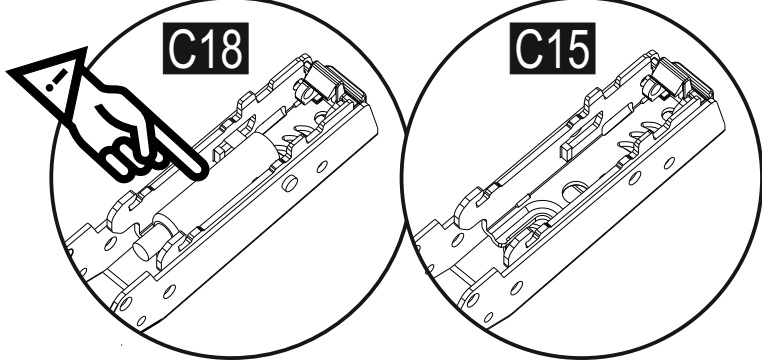
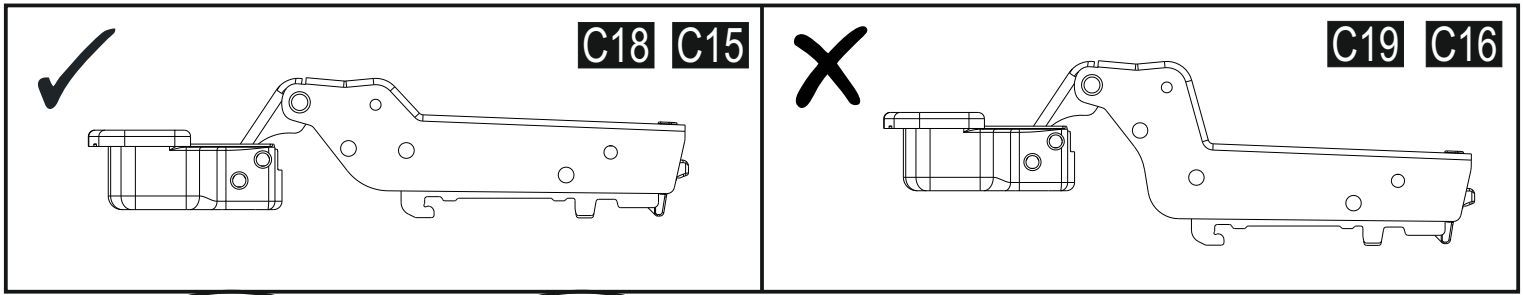
13.^{step}



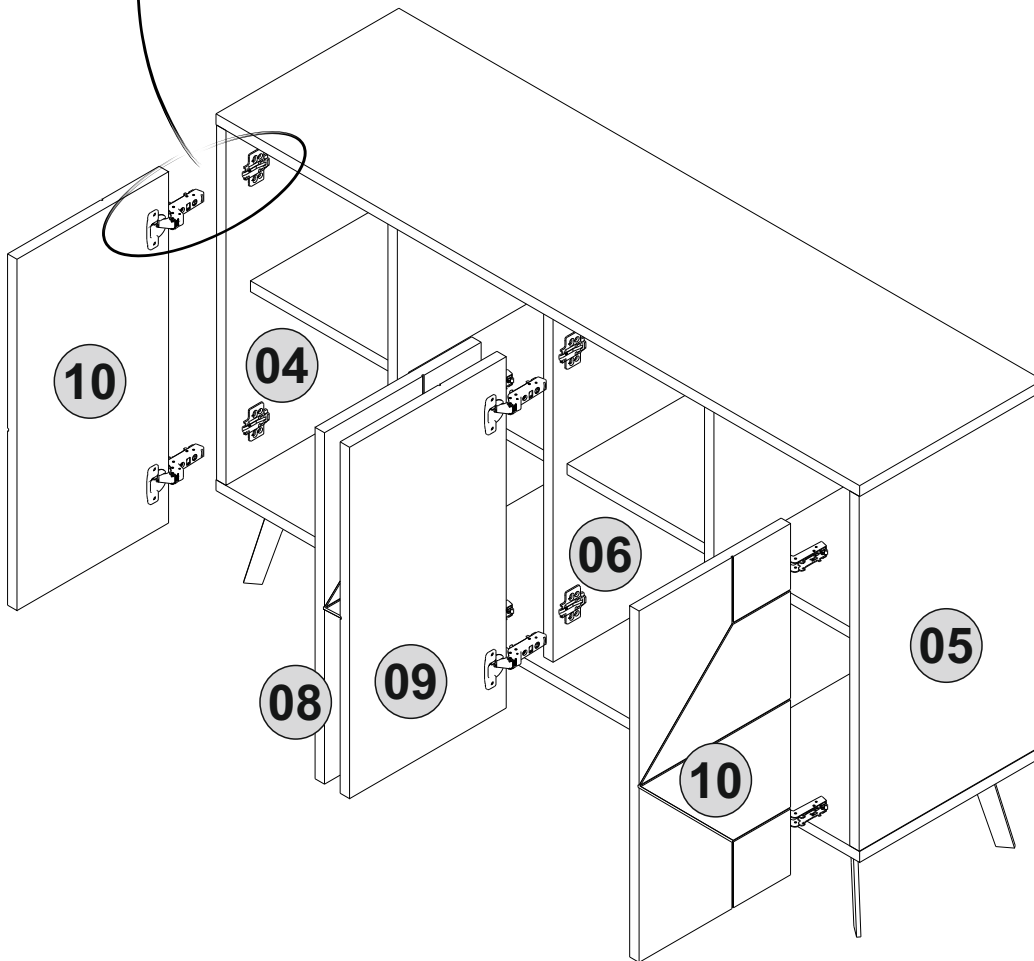
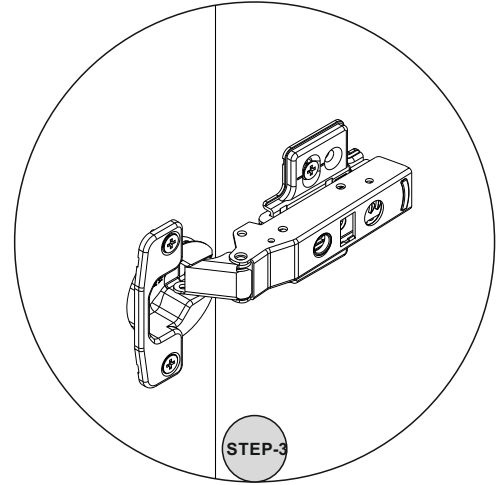
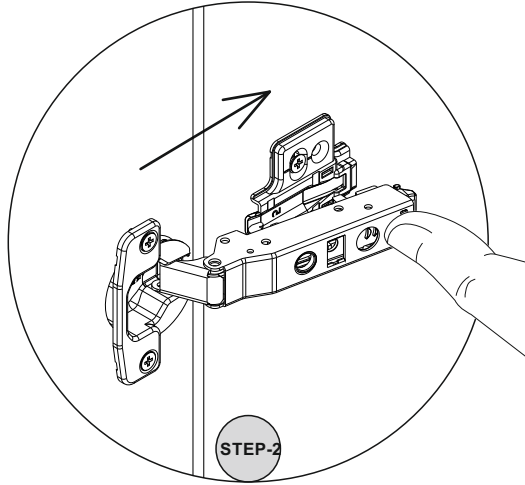
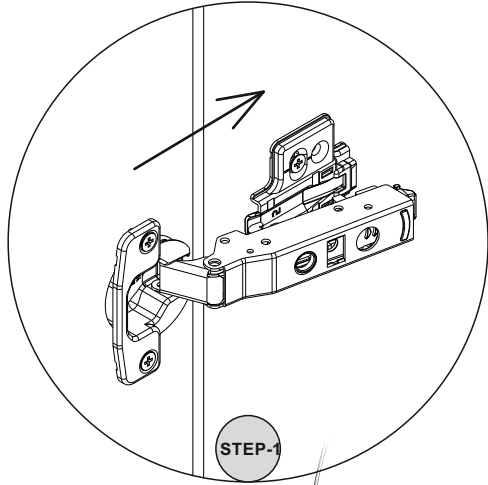
14. step



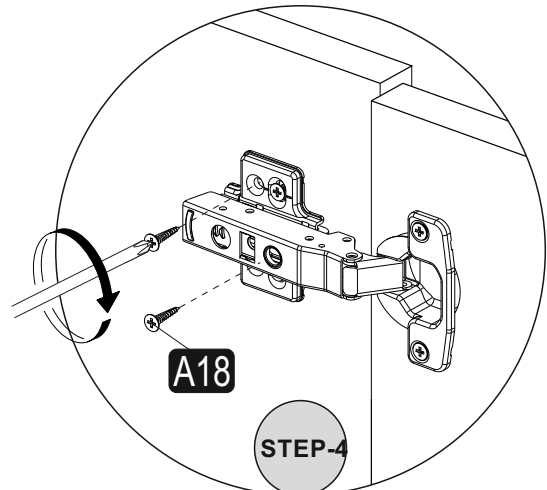
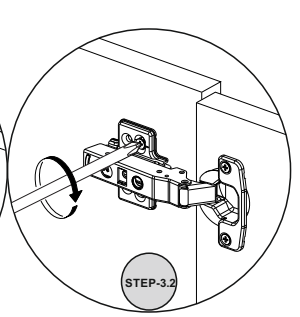
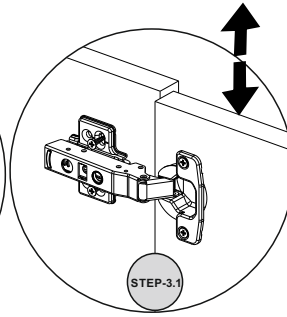
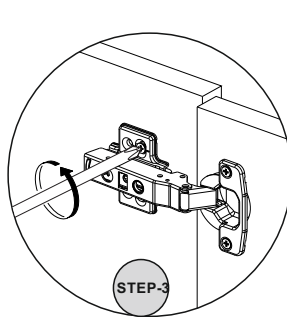
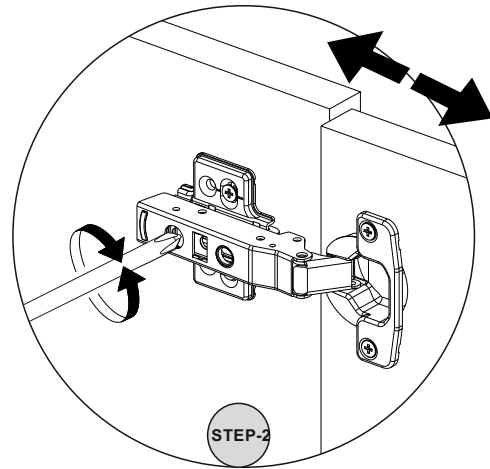
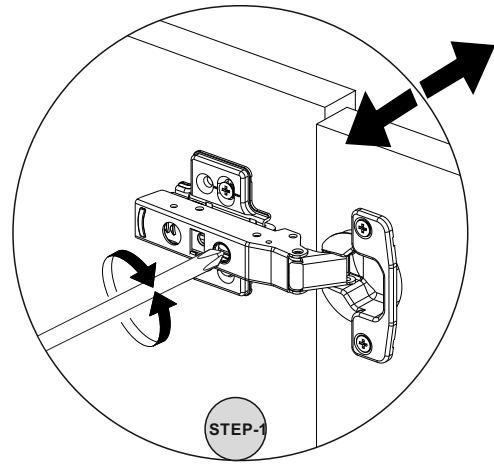
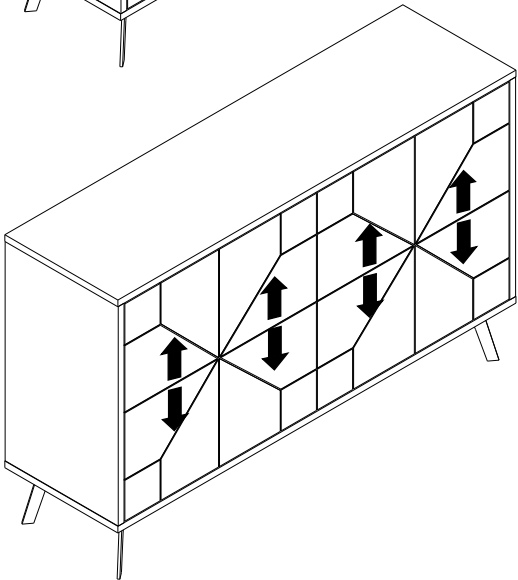
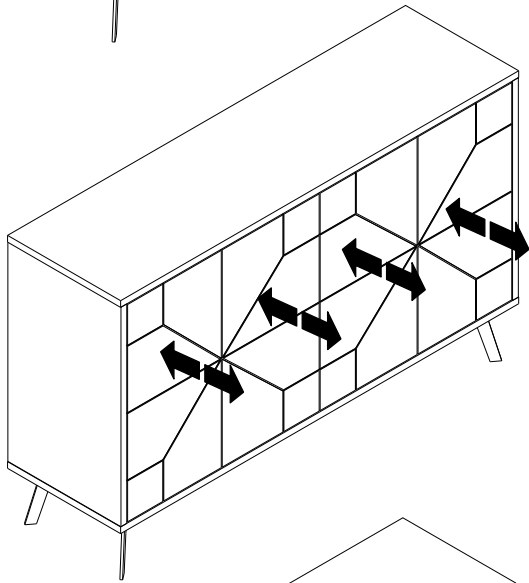
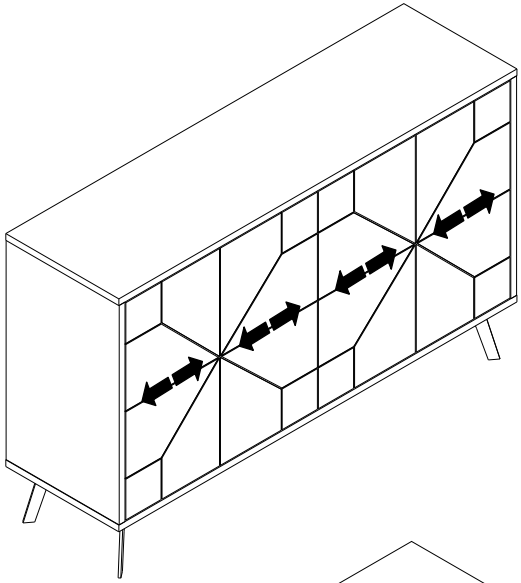
15. step



16^{step}



17. step



18. step

