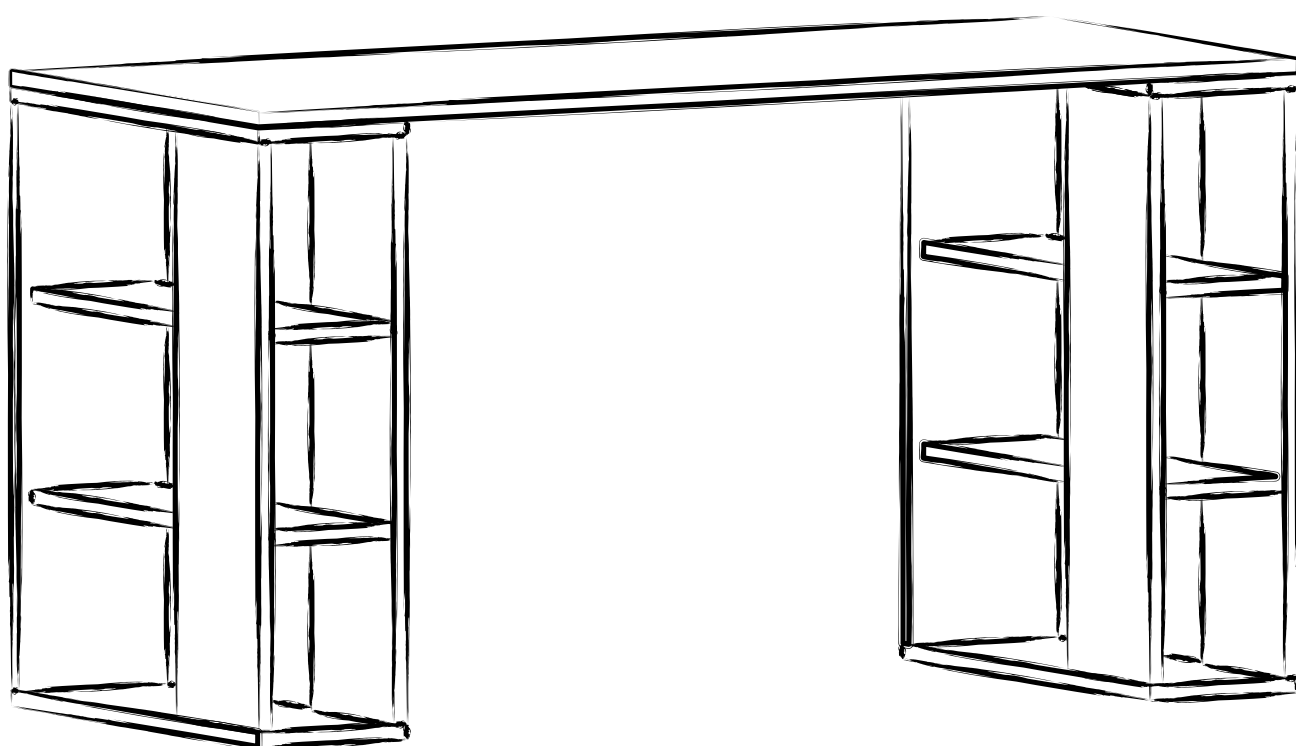
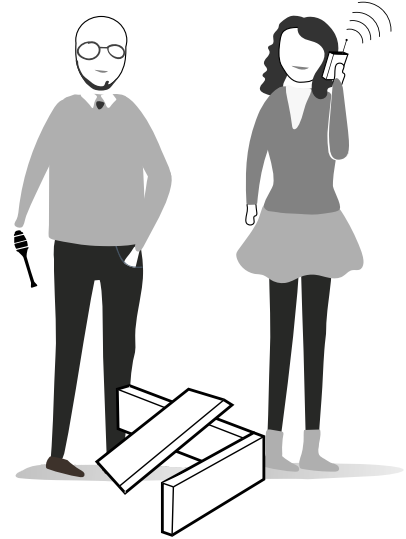
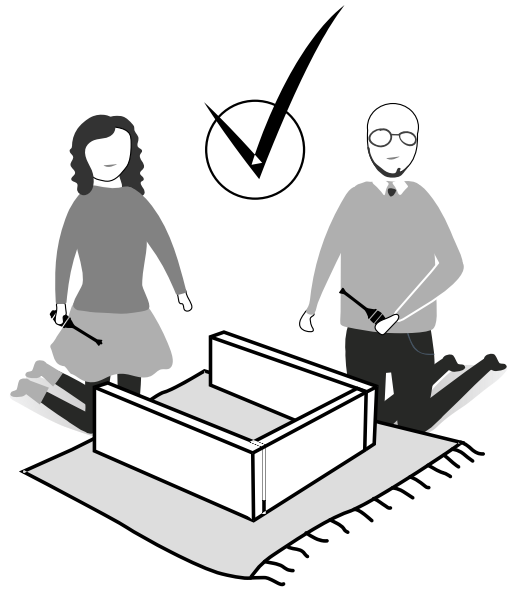
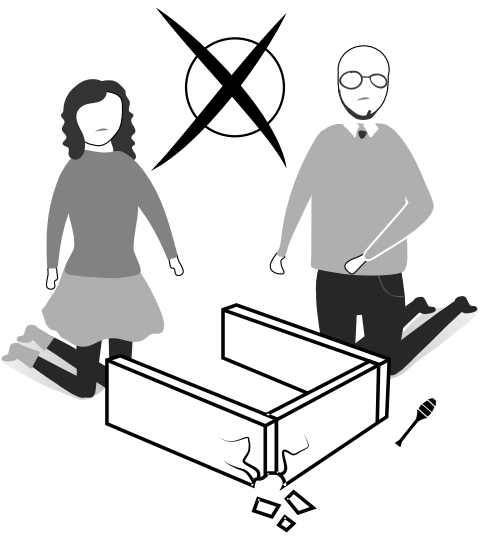
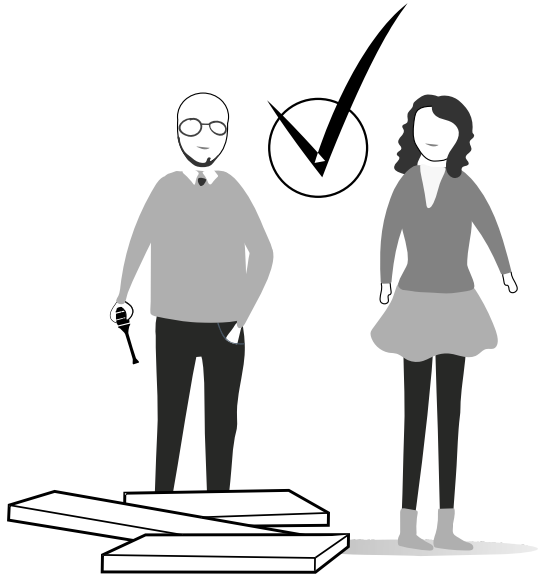
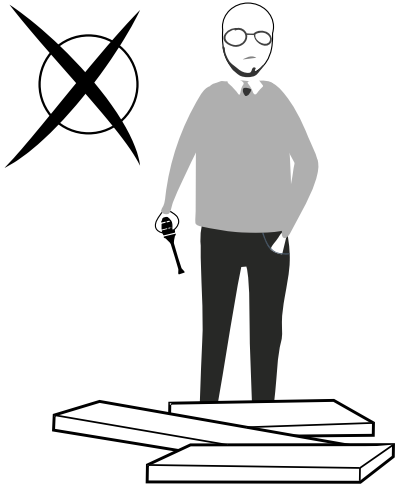


GP037-0005,1

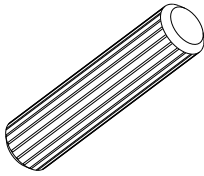




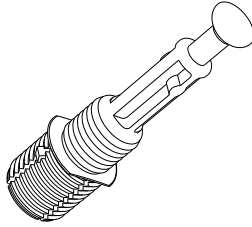
ATTENTION !!

Minifix is the main connection material used in ada products.
Before starting assembly, please check the drawings below.

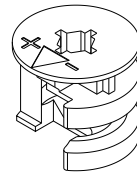
A04



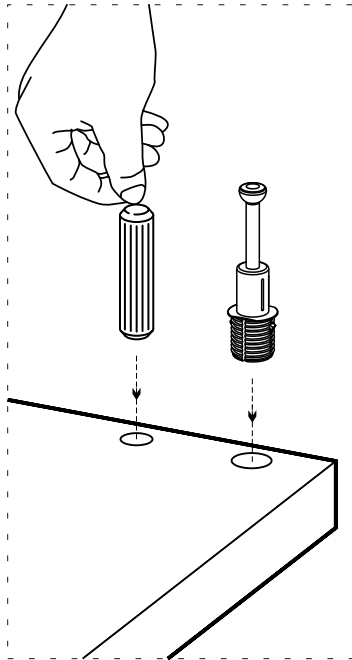
A23



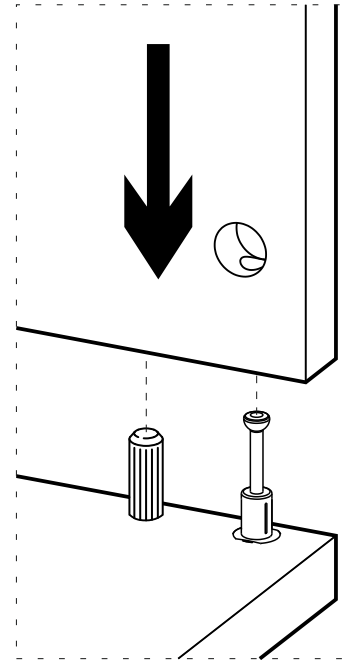
A22



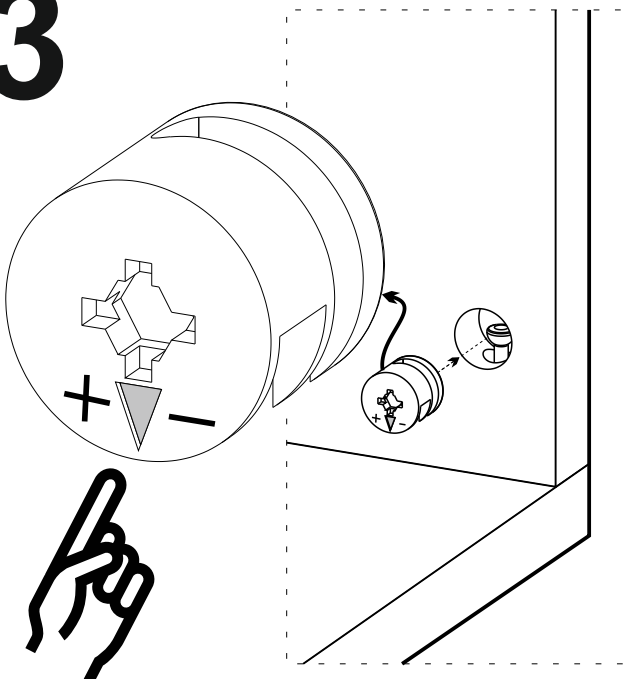
1



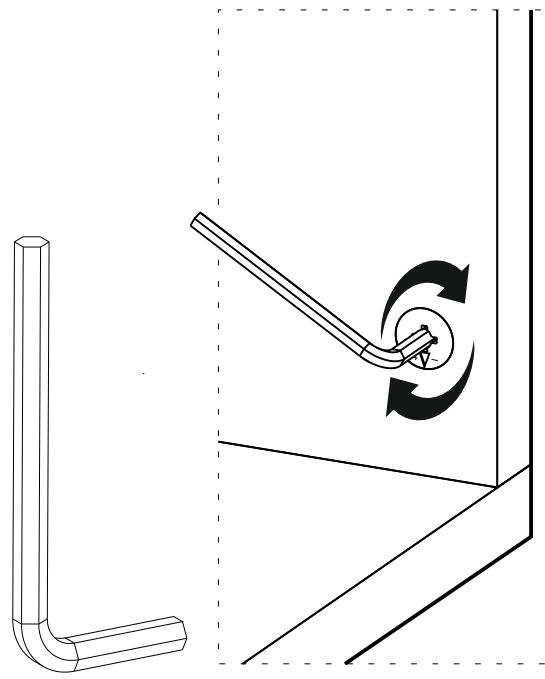
2



3




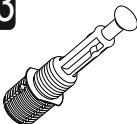
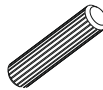
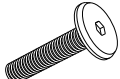
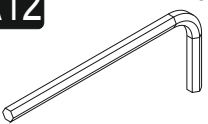
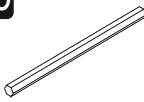
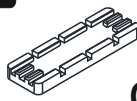


4

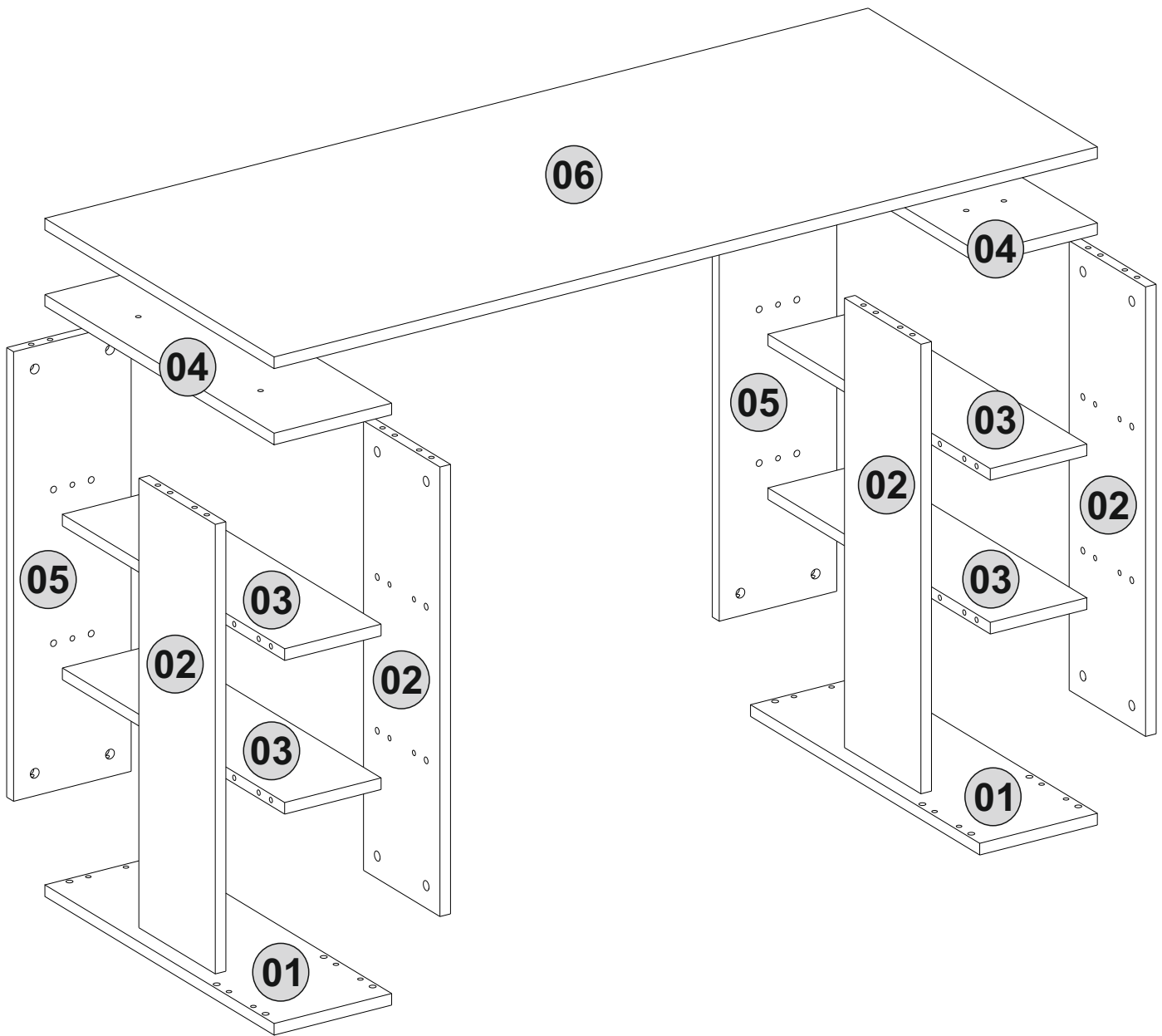


Follow the installation steps in the order as shown.
Position the parts as shown in the installation guide steps.

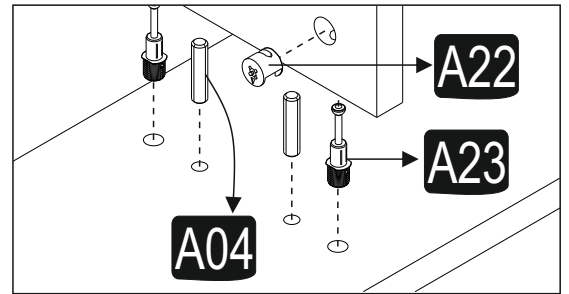
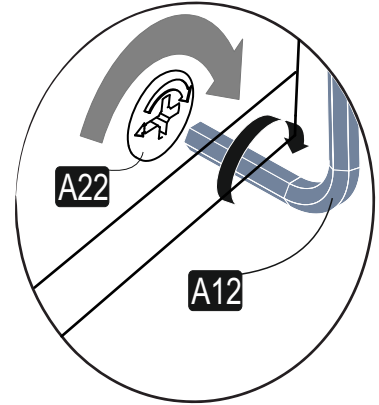
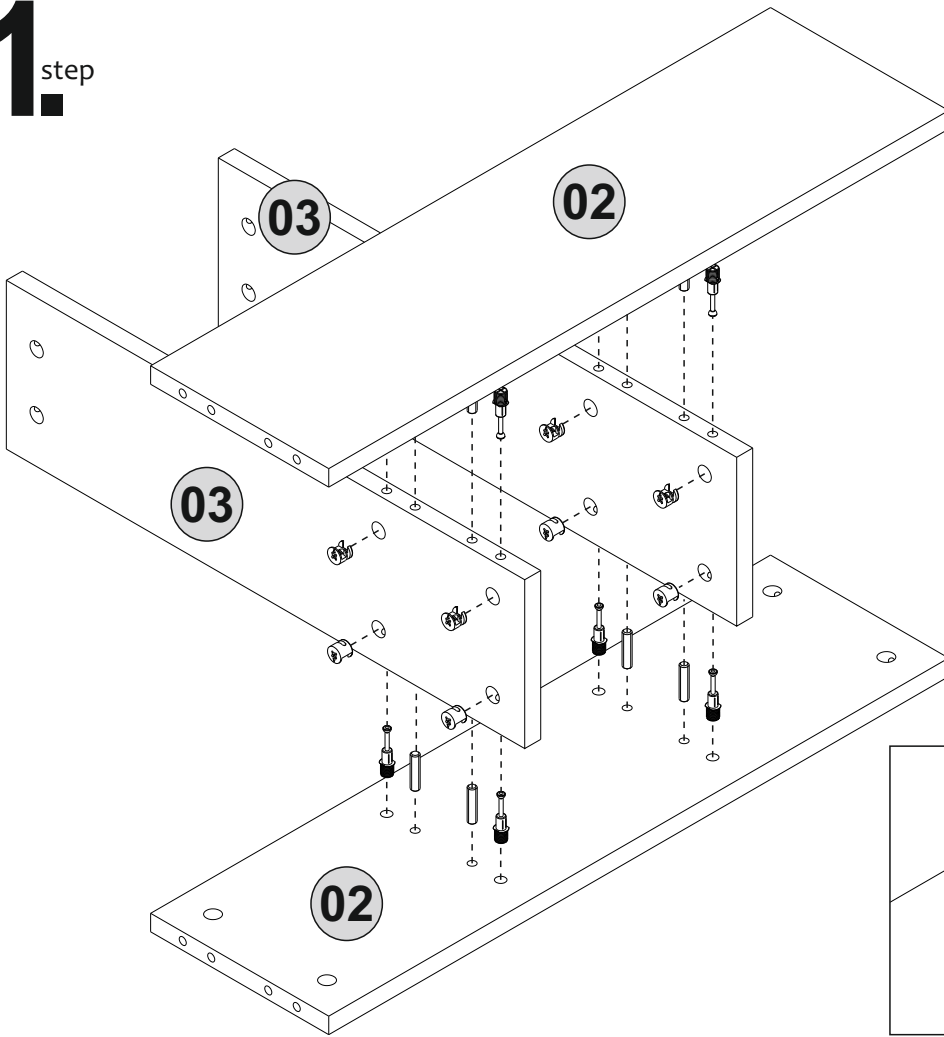


ACCESSORY LIST

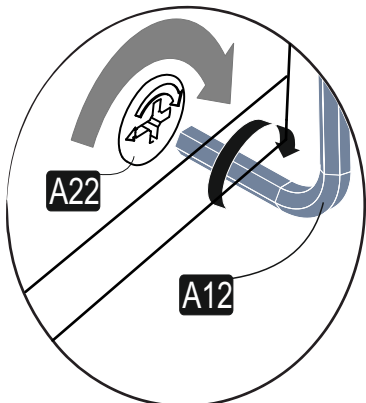
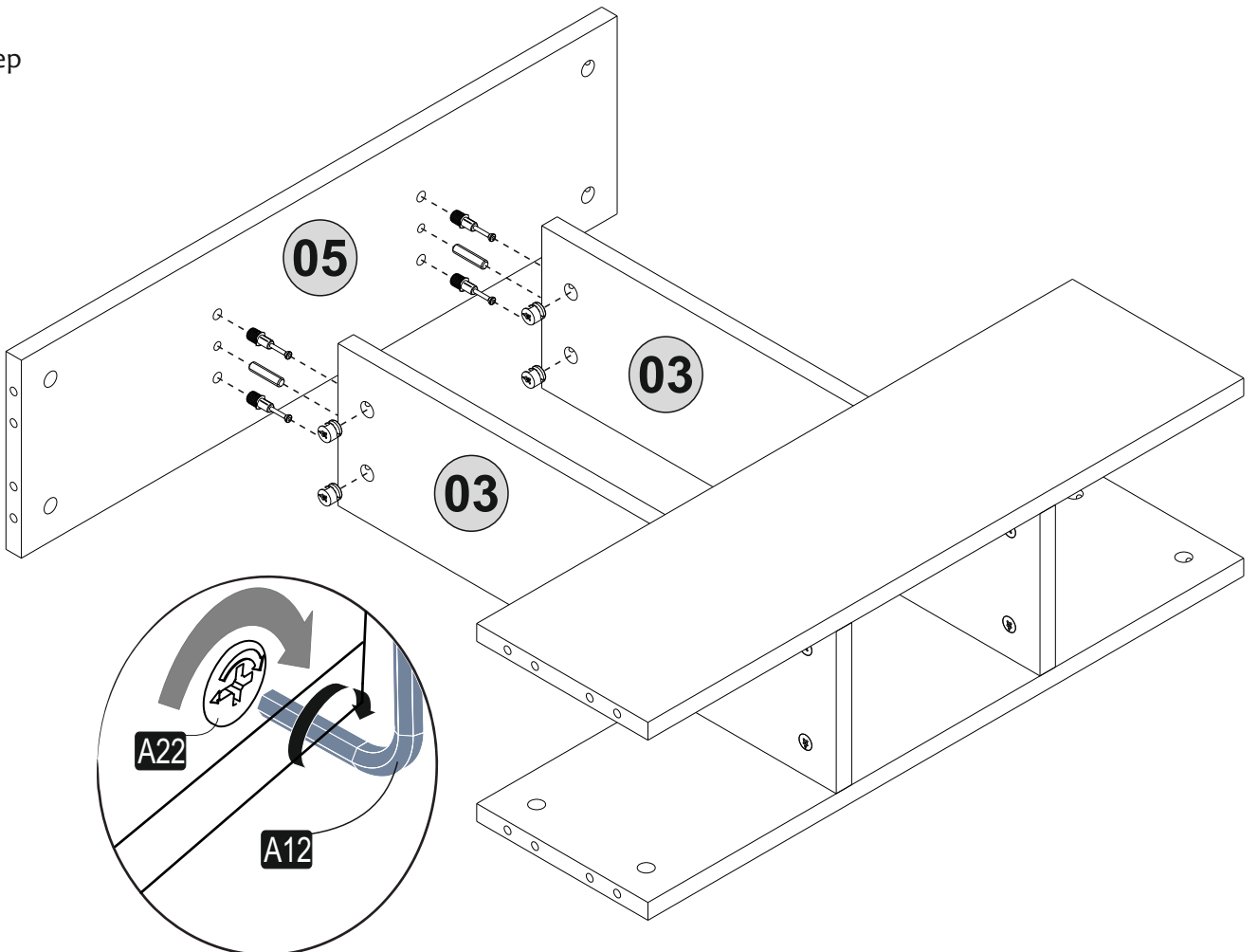
A22 Minifix k18  48x	A23 Minifix M10  48x	A04 $\varnothing 8$  44x	B03 25 mm  8x	A12 4 SW  1x
A26 Allen  1x	A08 5 mm  C2-6x	A06 18 mm  C2-56x	A69 P.D.  8x	



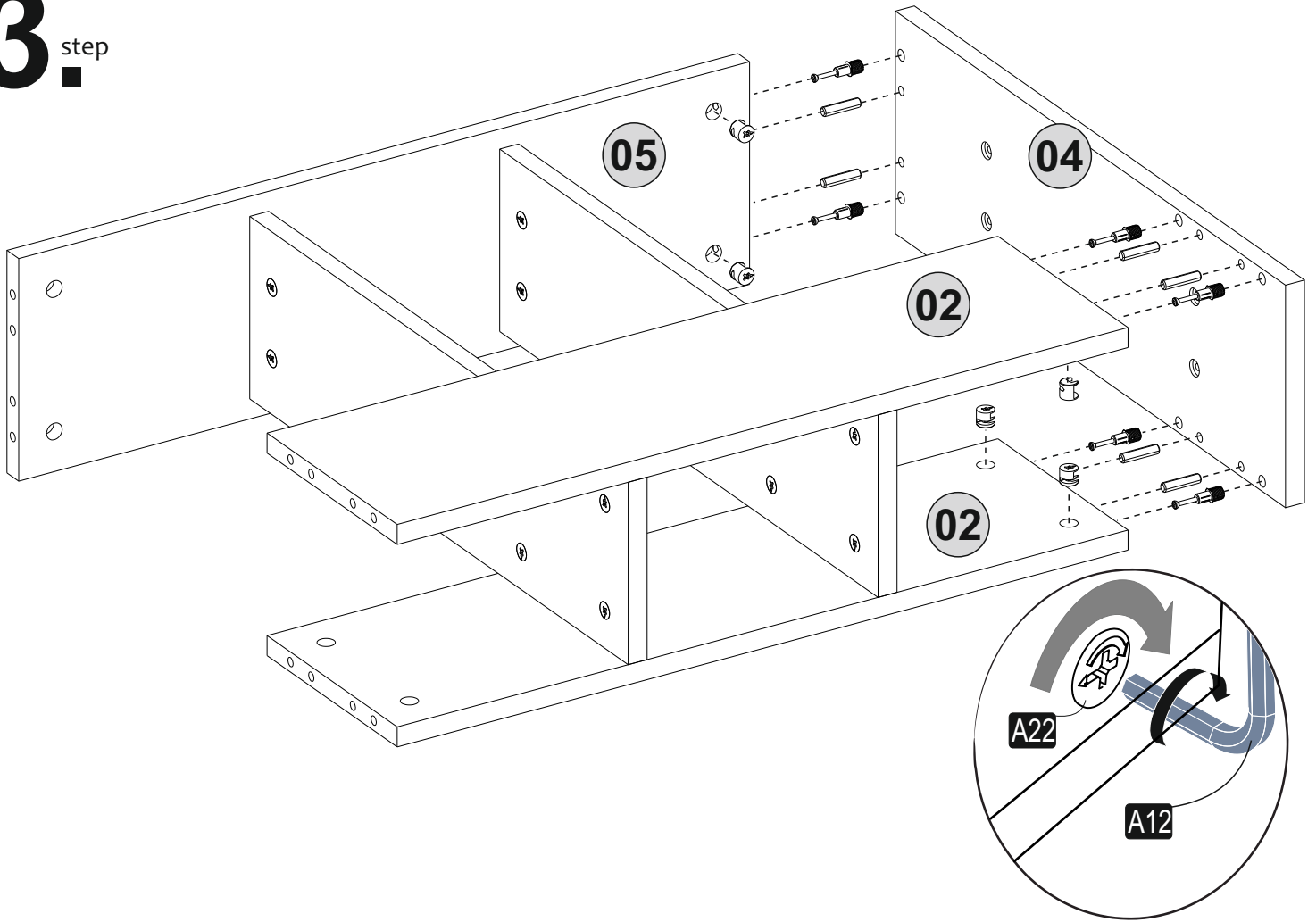
1. step



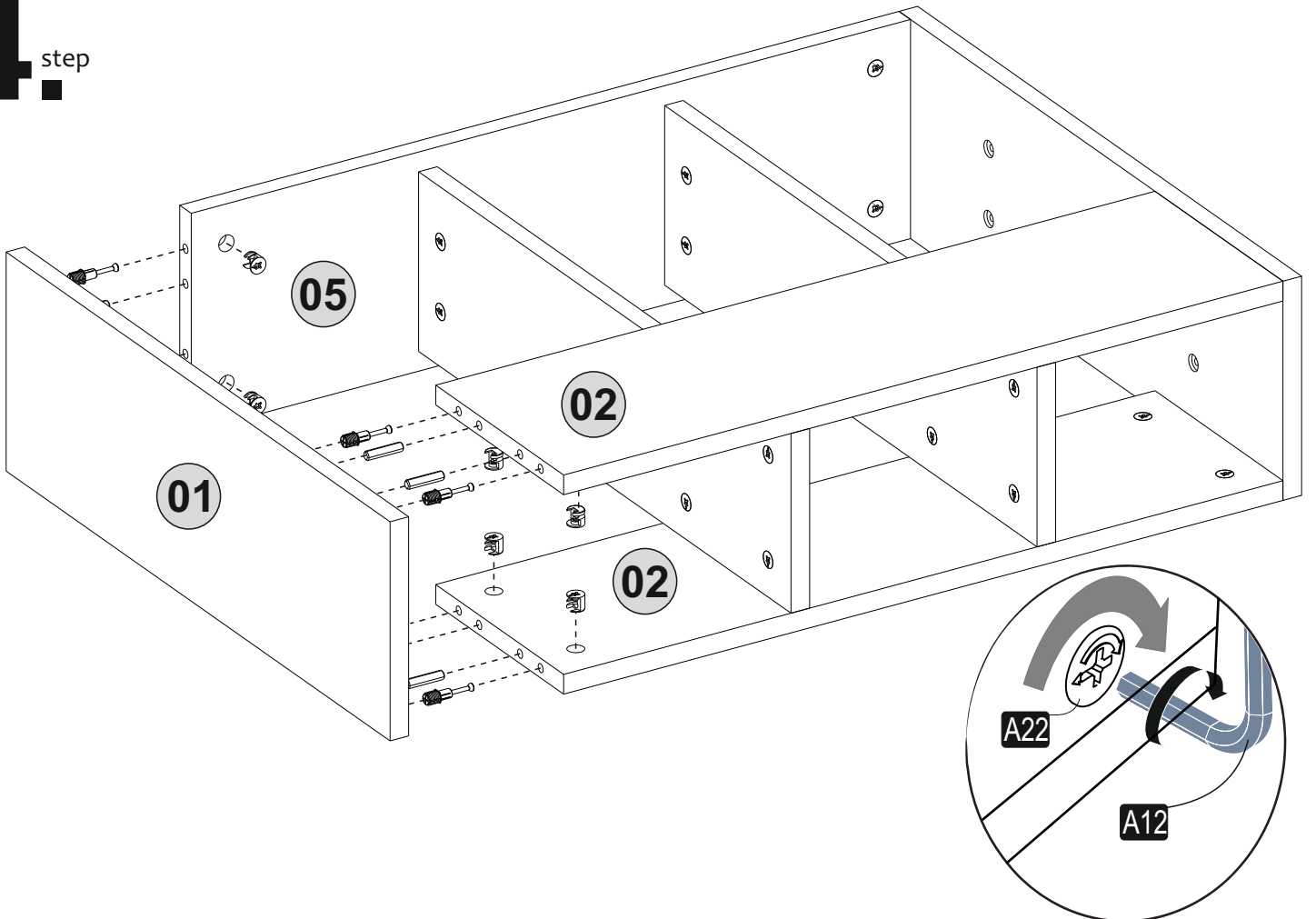
2. step



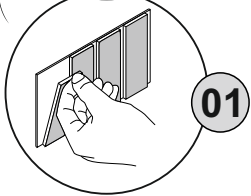
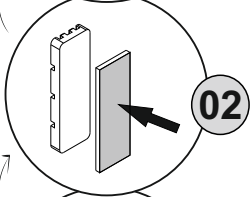
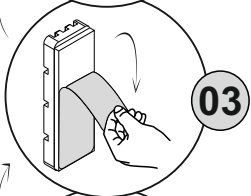
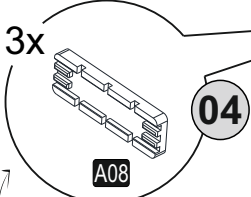
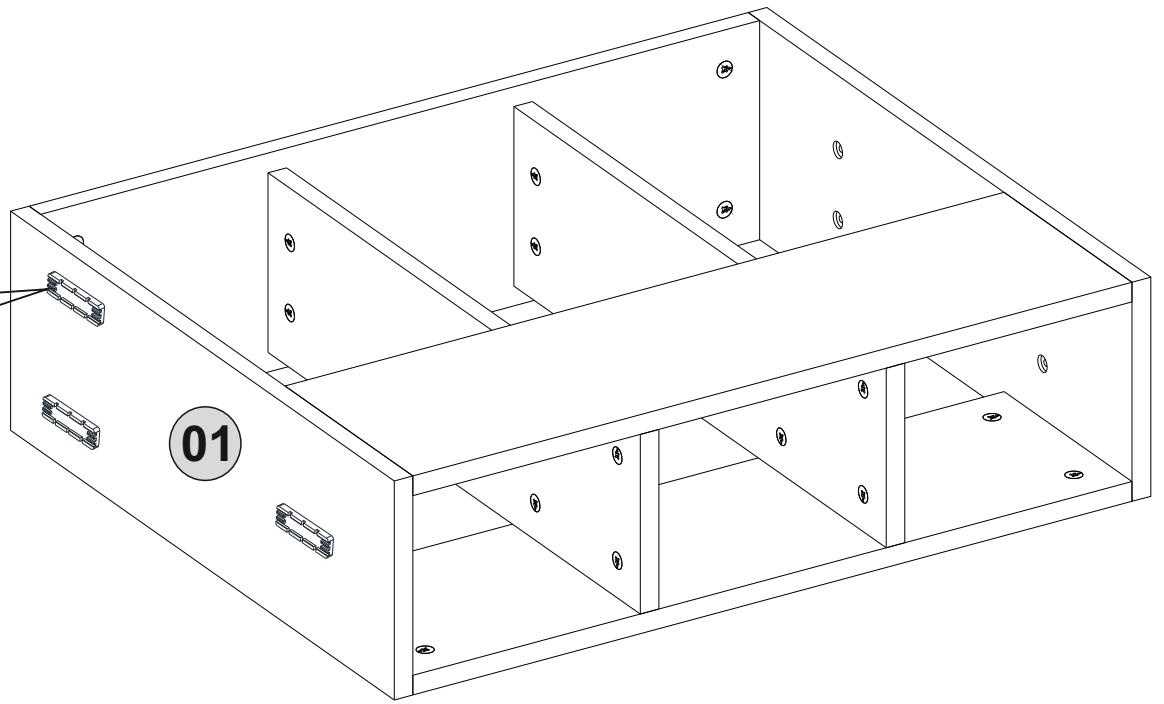
3^{step}



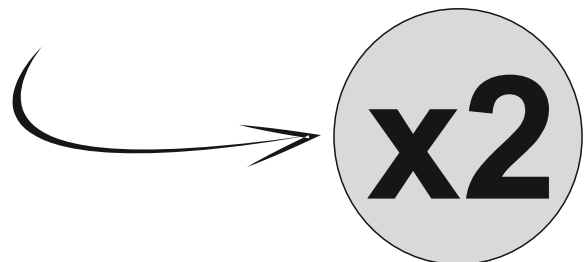
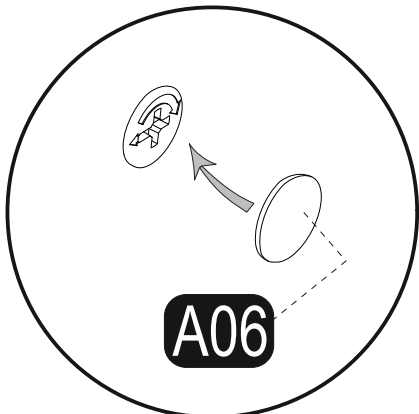
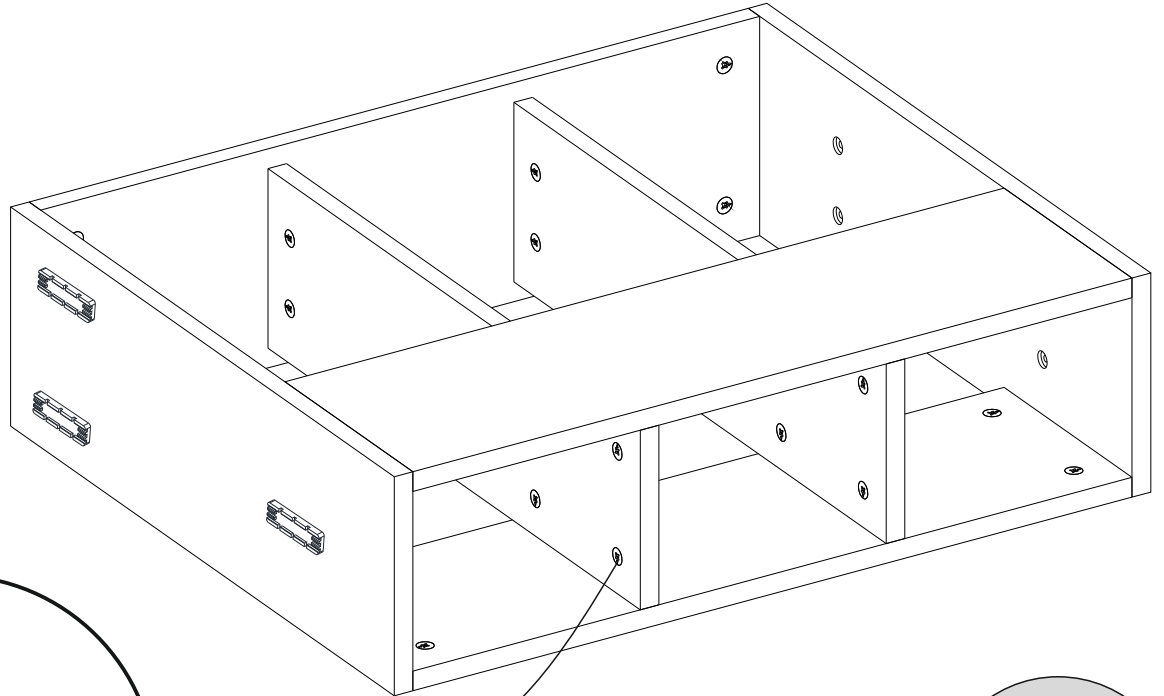
4^{step}



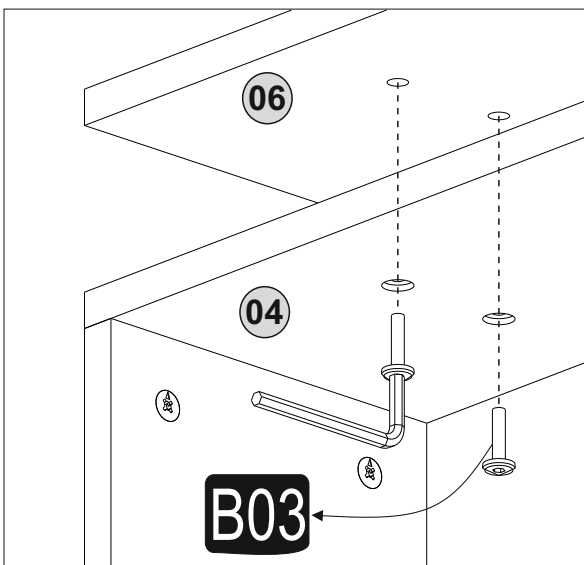
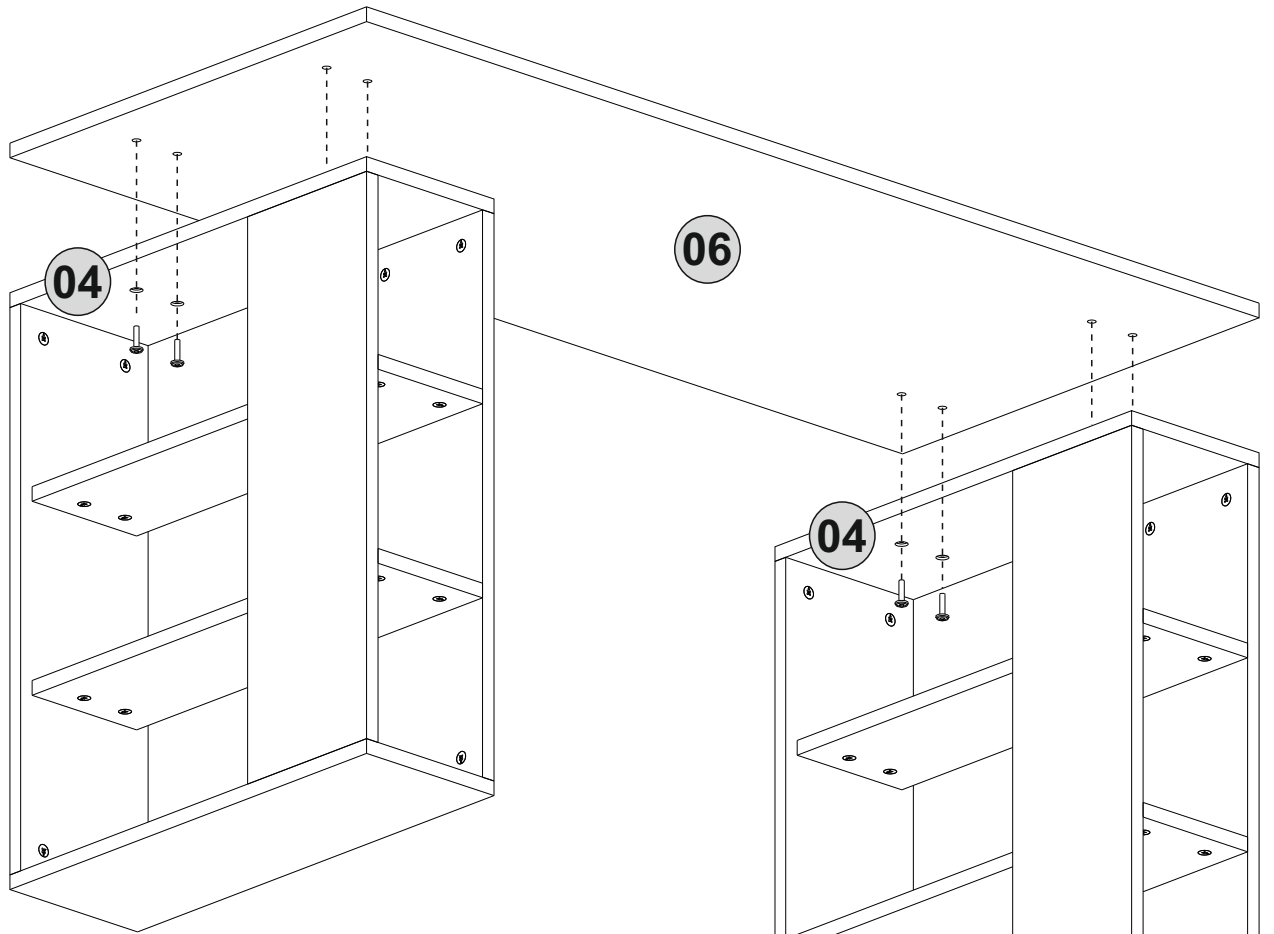
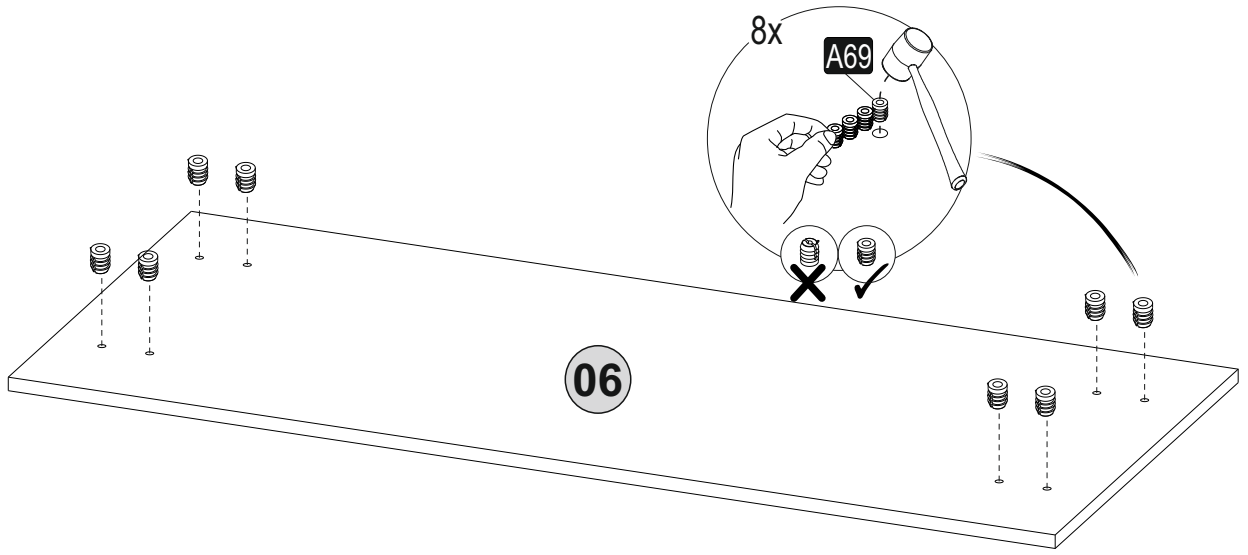
5. step



6. step



7 step



8 step

