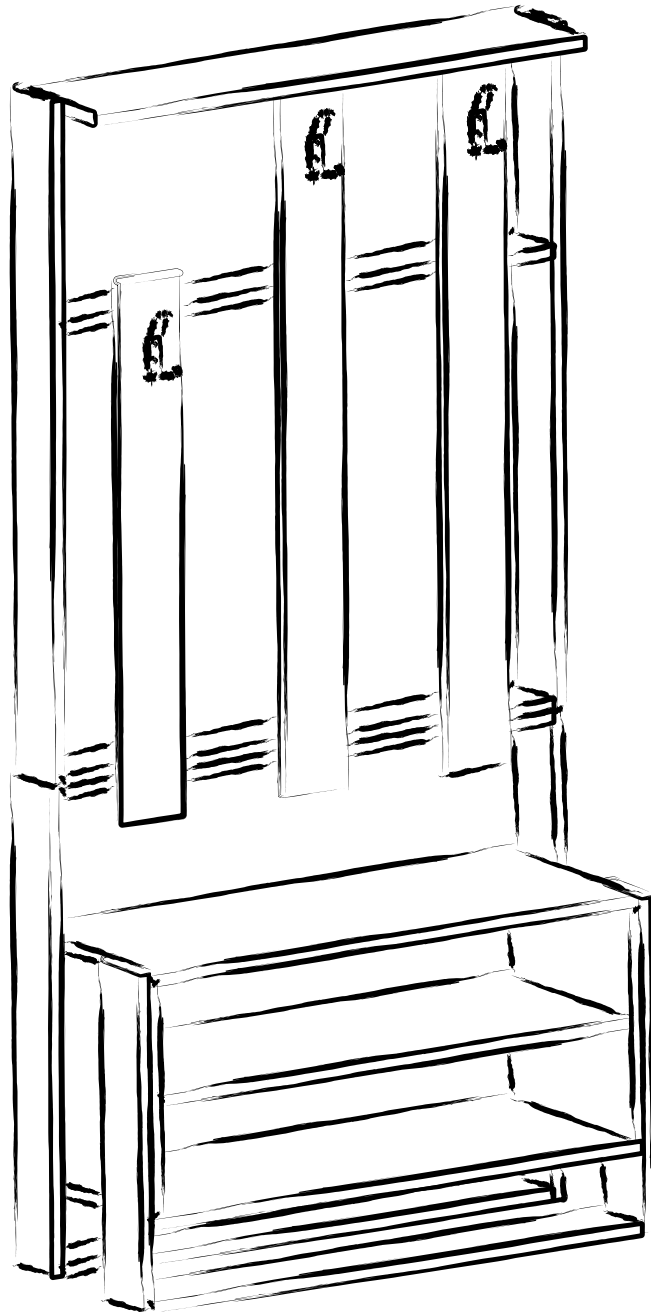
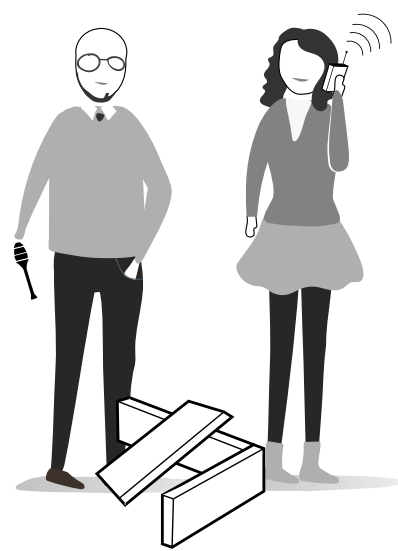
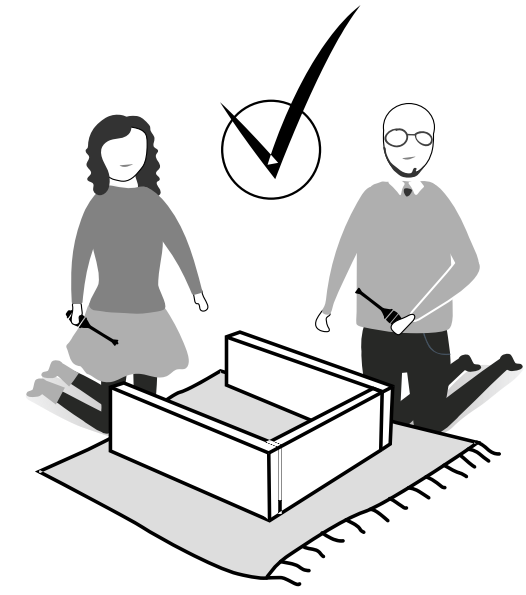
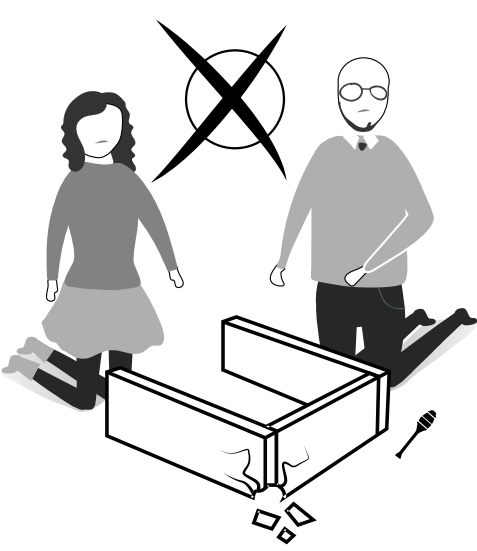
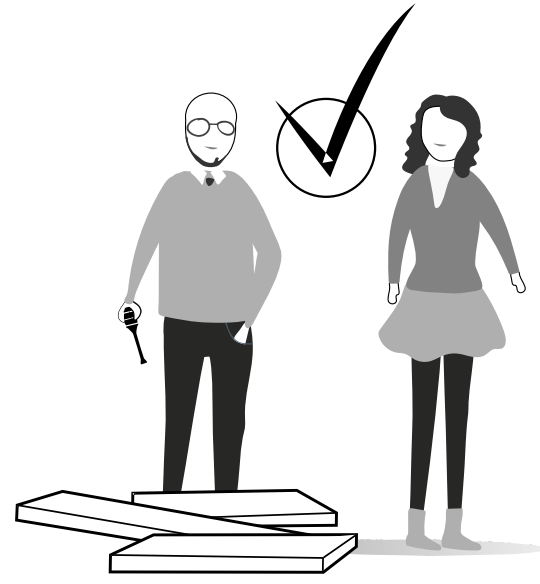
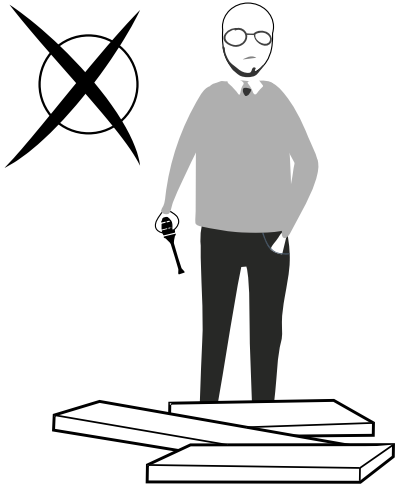


GP037-0003,1

---

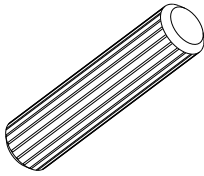




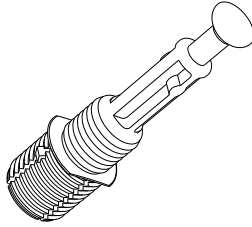
# ATTENTION !!

Minifix is the main connection material used in ada products.  
Before starting assembly, please check the drawings below.

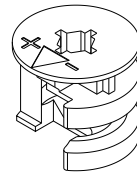
A04



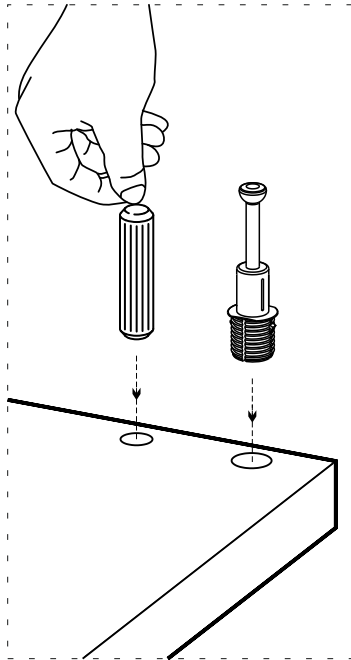
A23



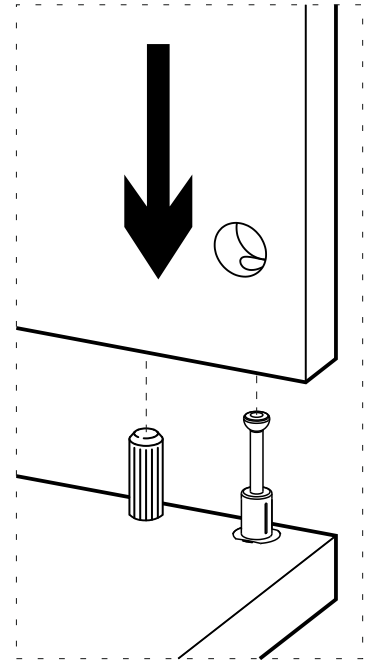
A22



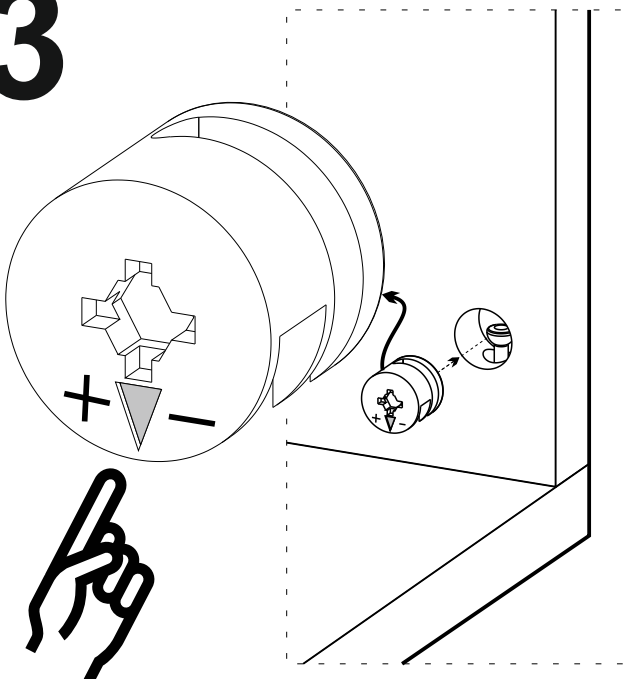
1



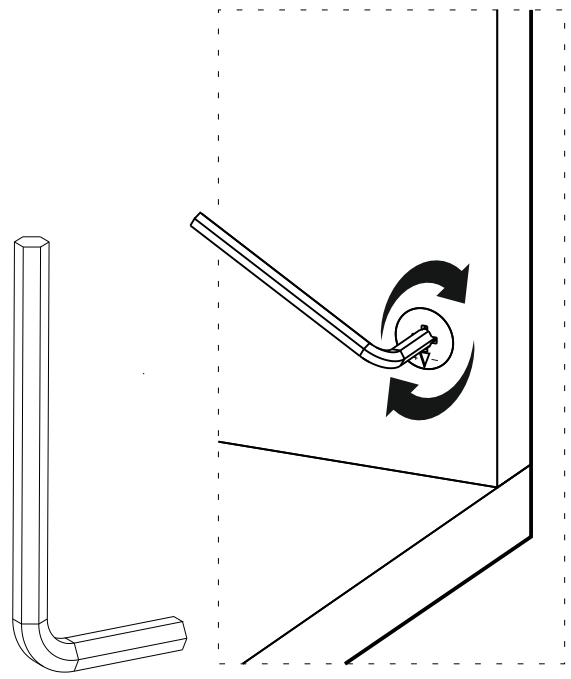
2



3




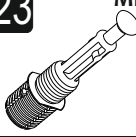

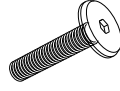

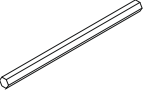
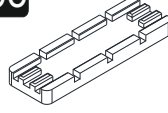
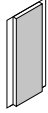
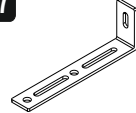
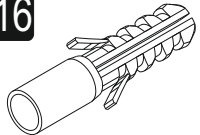
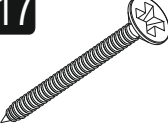


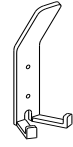


4

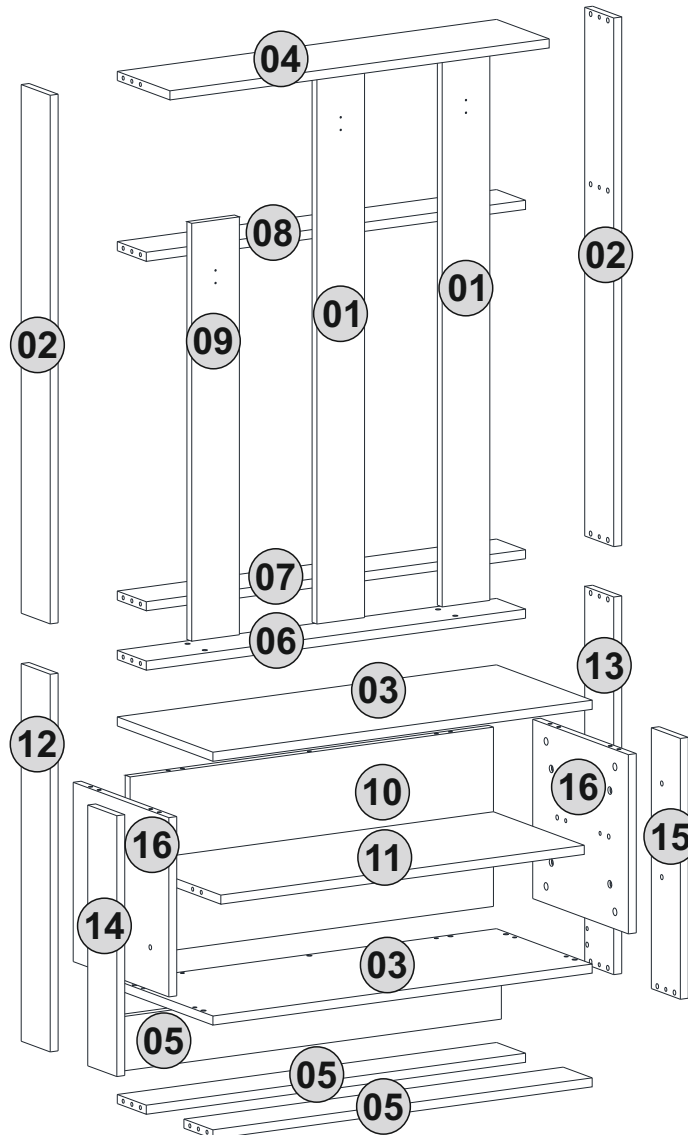


Follow the installation steps in the order as shown.  
Position the parts as shown in the installation guide steps.

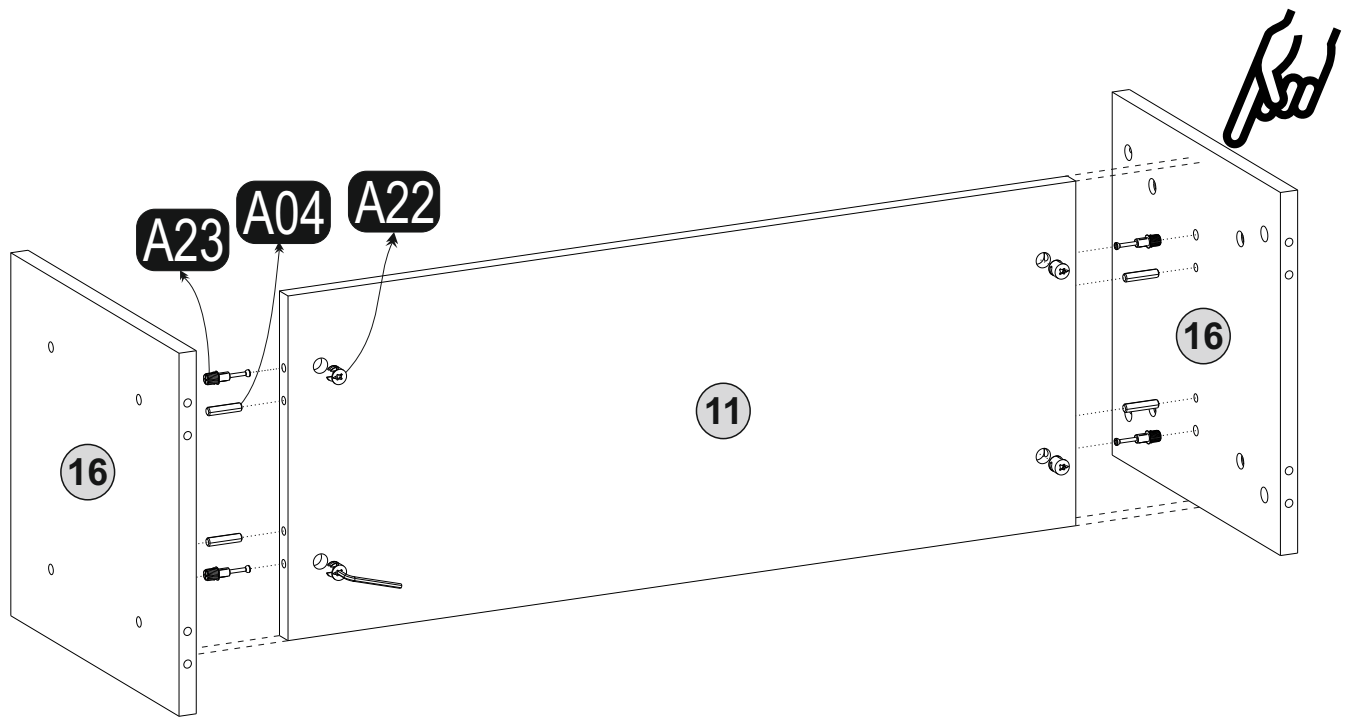


# ACCESSORY LIST

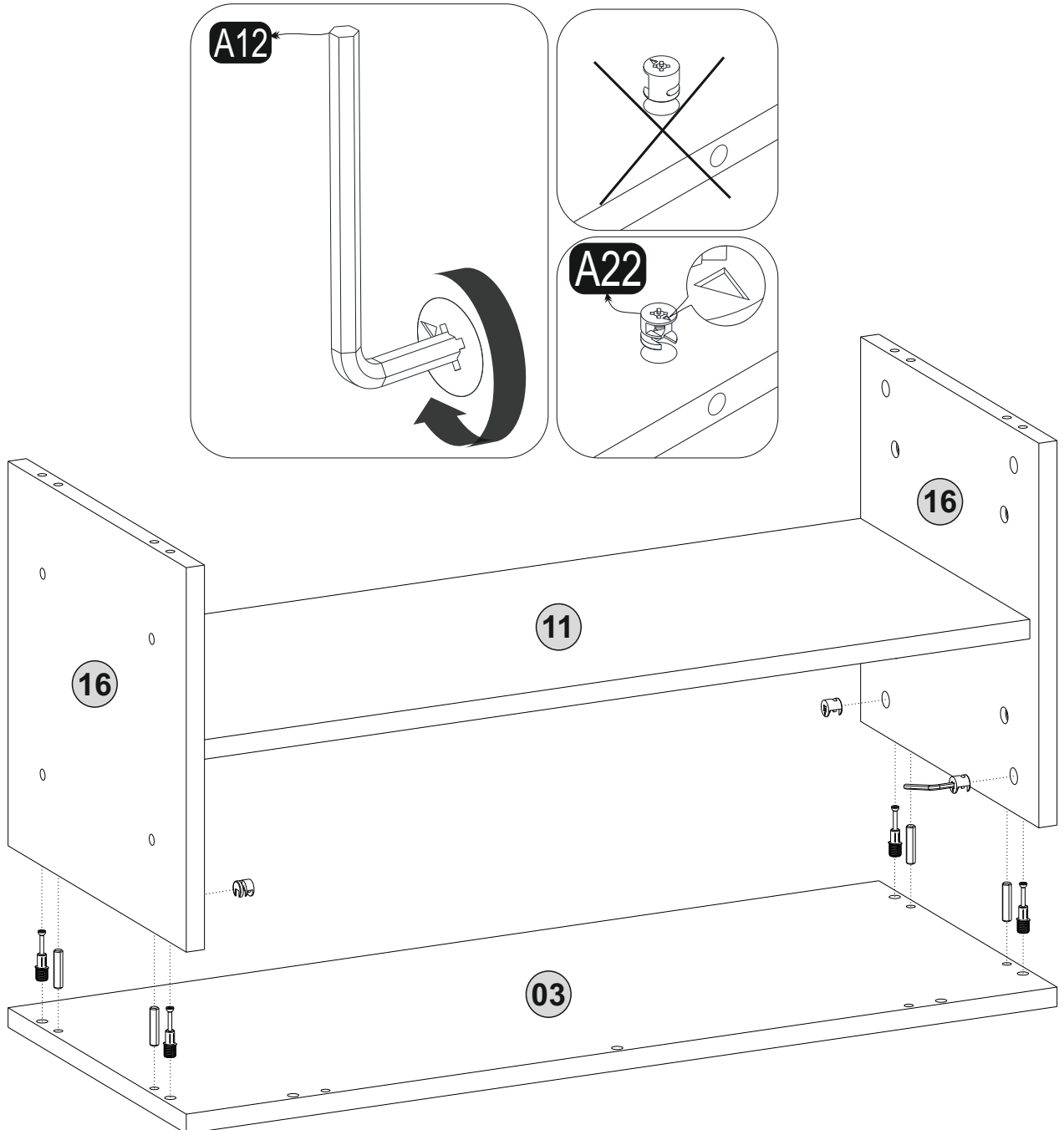
|   |  |  |   |   |
|---|--|--|---|---|
| <b>A22</b><br><br>Minifix k18<br><b>62x</b>  | <b>A23</b><br><br>Minifix M10<br><b>62x</b> | <b>A04</b><br><br>Ø8<br><b>32x</b>          | <b>B03</b><br><br>25 mm<br><b>12x</b>  | <b>A12</b><br><br>4 SW<br><b>1x</b>  |
| <b>A26</b><br><br><b>1x</b>                  | <b>A08</b><br><br>Pabuç<br><b>6x</b>        | <b>Y03</b><br><br>Ctpb<br><b>6x</b>         | <b>A87</b><br><br>15x90x30<br><b>1x</b> | <b>A16</b><br><br>Ø8<br><b>1x</b>    |
| <b>A17</b><br><br>4x50<br><b>1x</b>          | <b>A18</b><br><br>3,5x18<br><b>2x</b>       | <b>A06</b><br><br>18 mm<br>C1 44x<br>C2 30x | <b>Z40</b><br><br>20X3<br><b>3x</b>    | <b>A69</b><br><br>P.D.<br><b>12x</b> |
| <b>A50</b><br><br>3,5x16(black)<br><b>6x</b> |  |  |   |   |



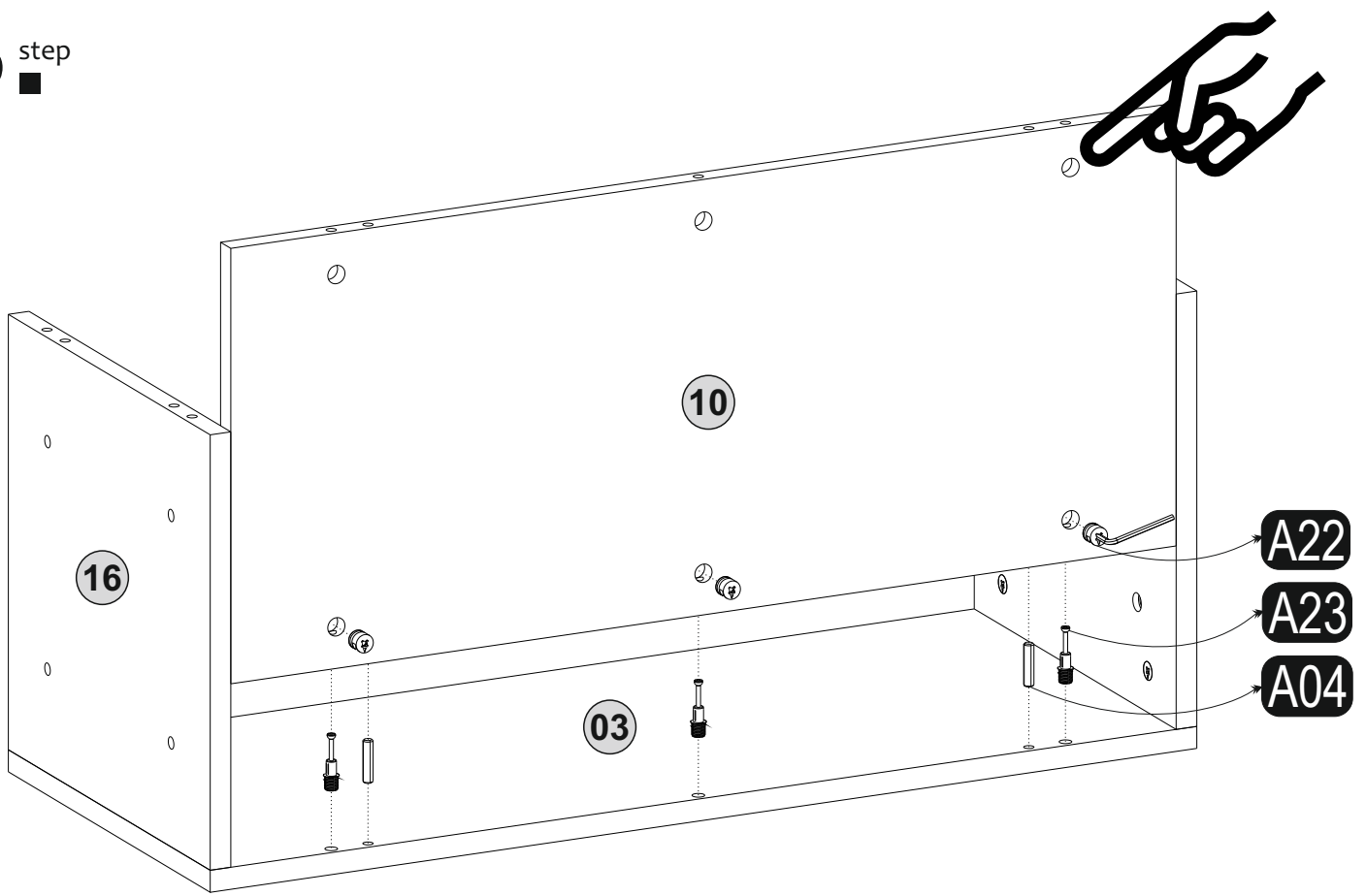
**1.** step



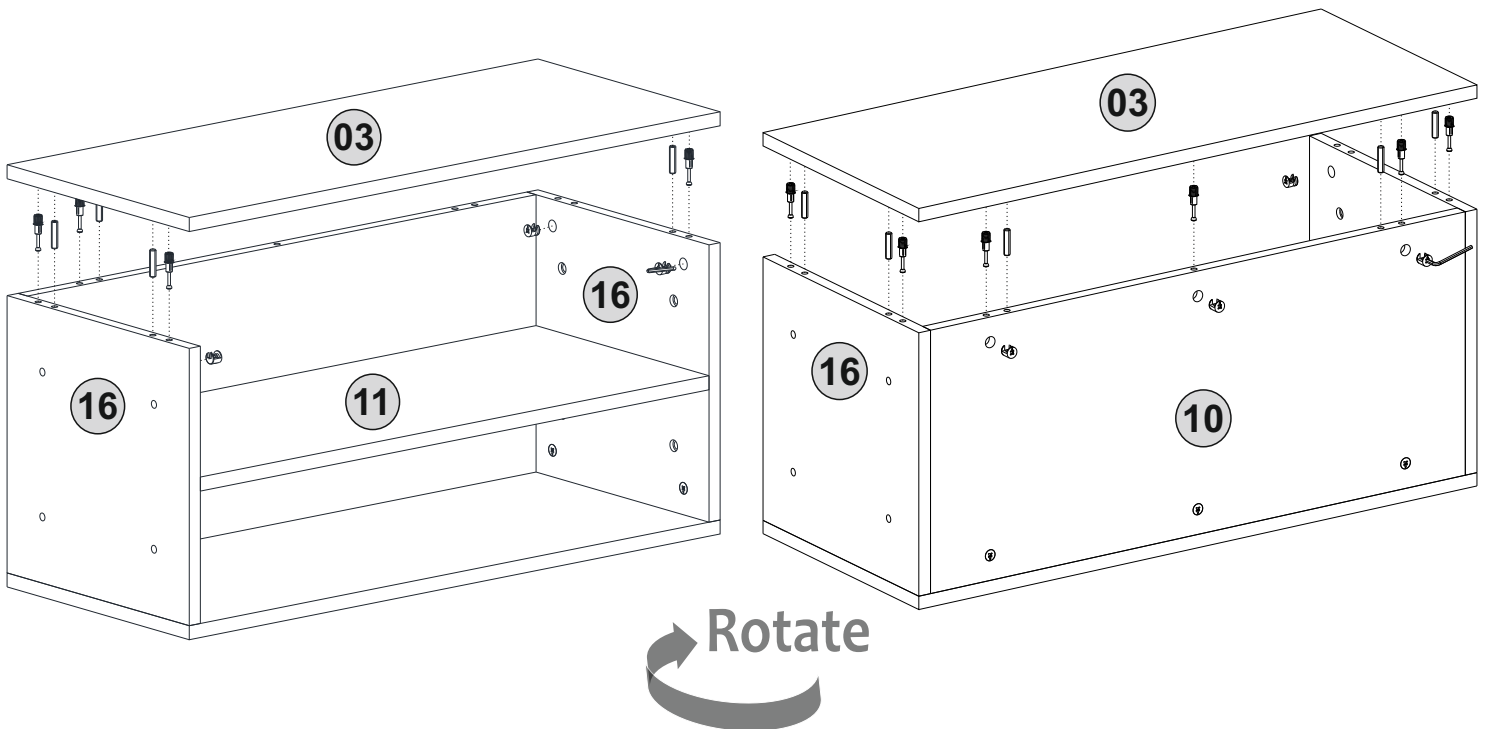
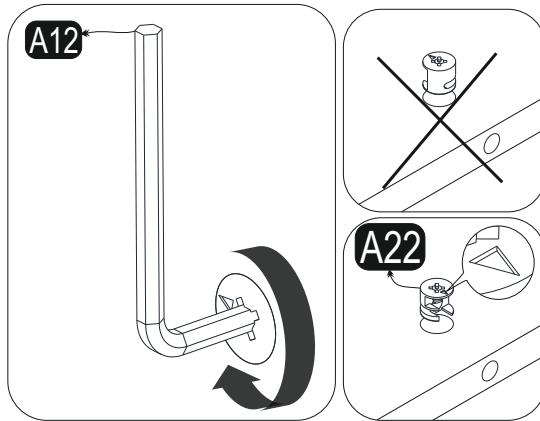
**2.** step



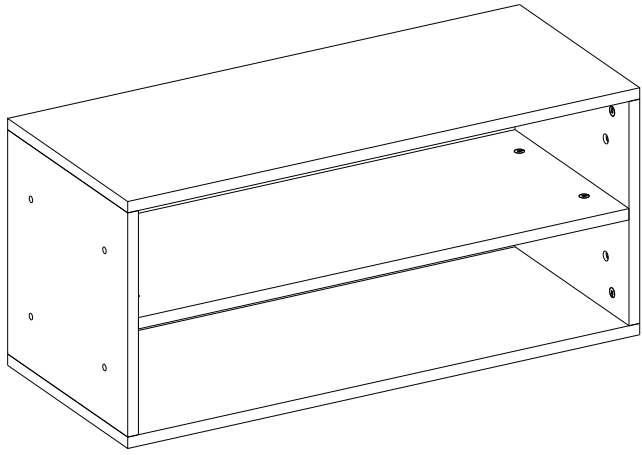
# 3 step



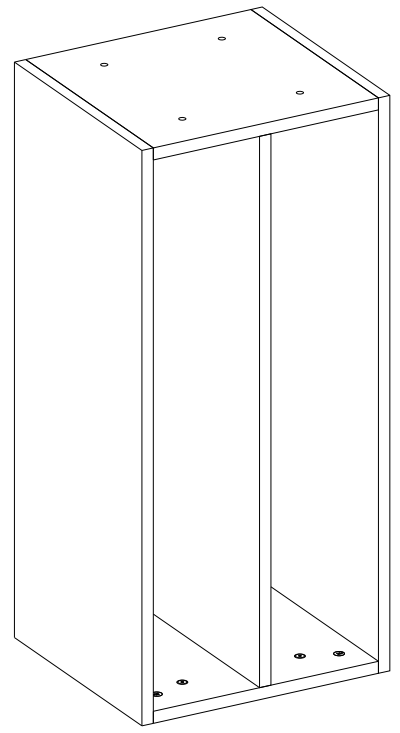
# 4 step



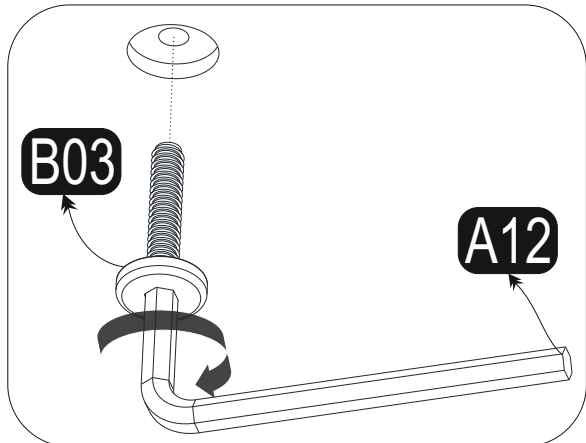
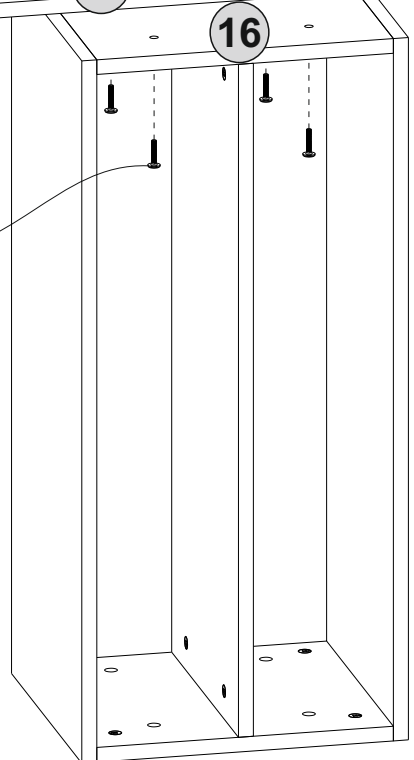
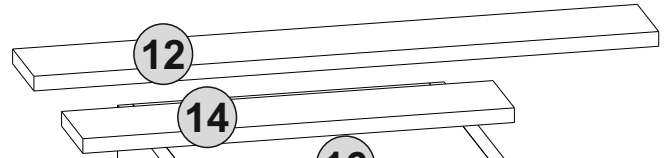
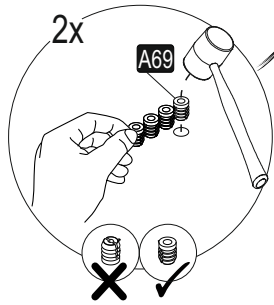
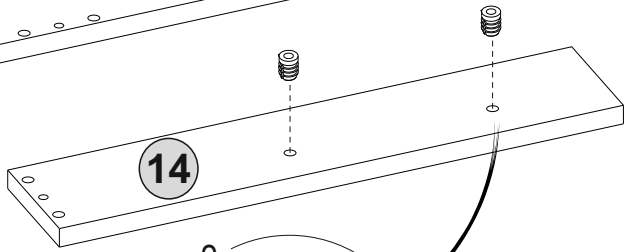
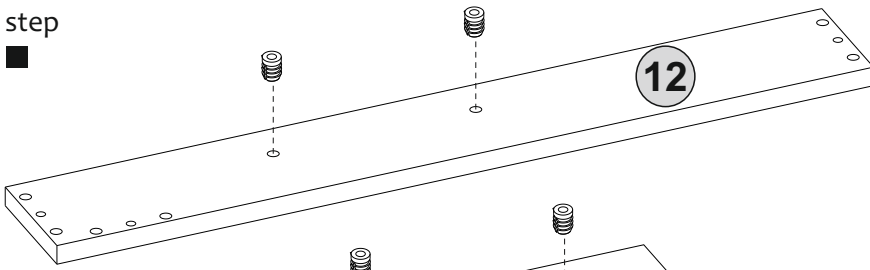
# 5. step



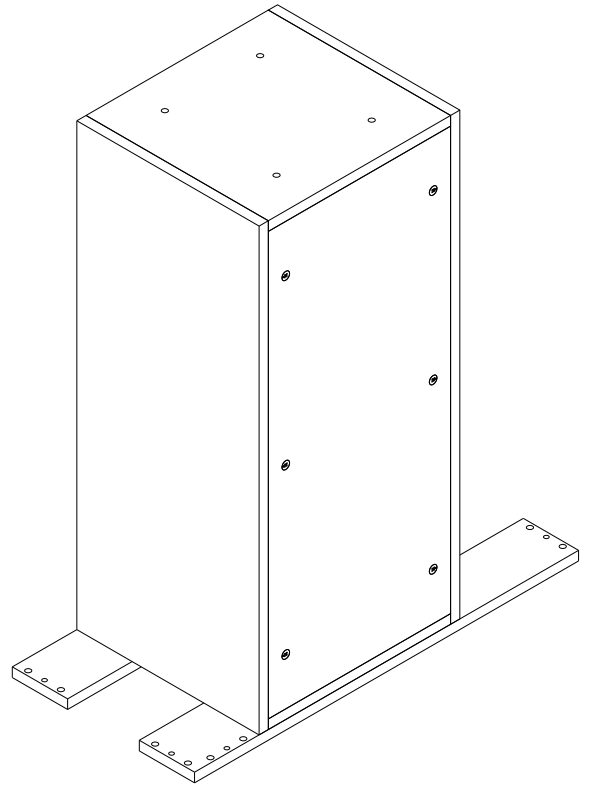
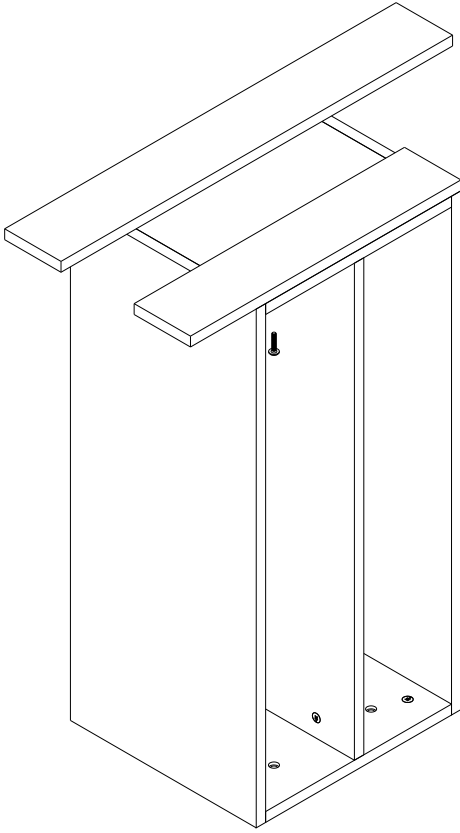
Rotate



# 6. step

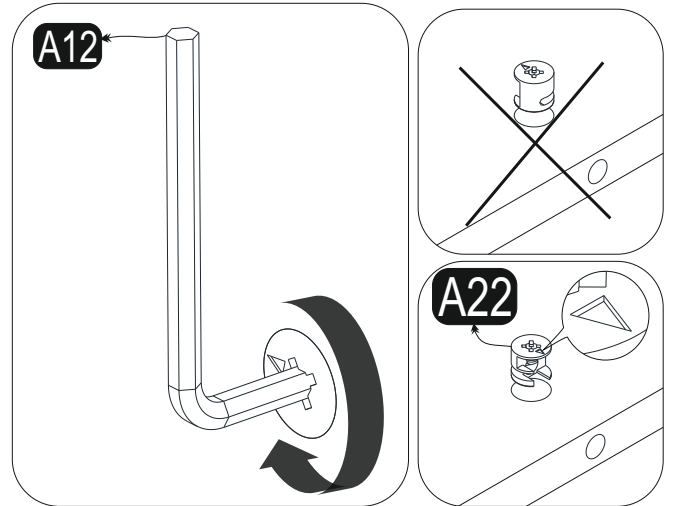
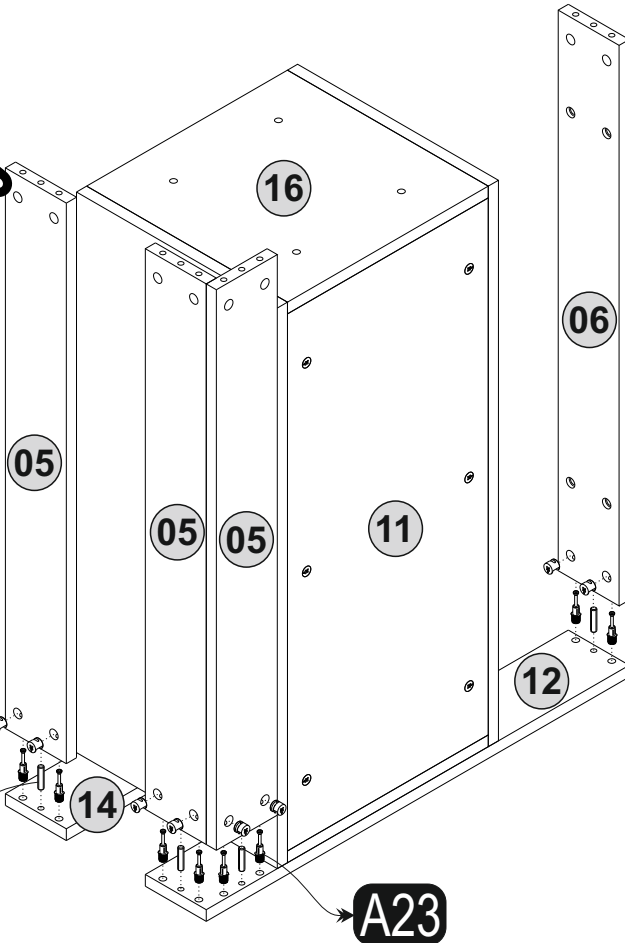


# 7. step



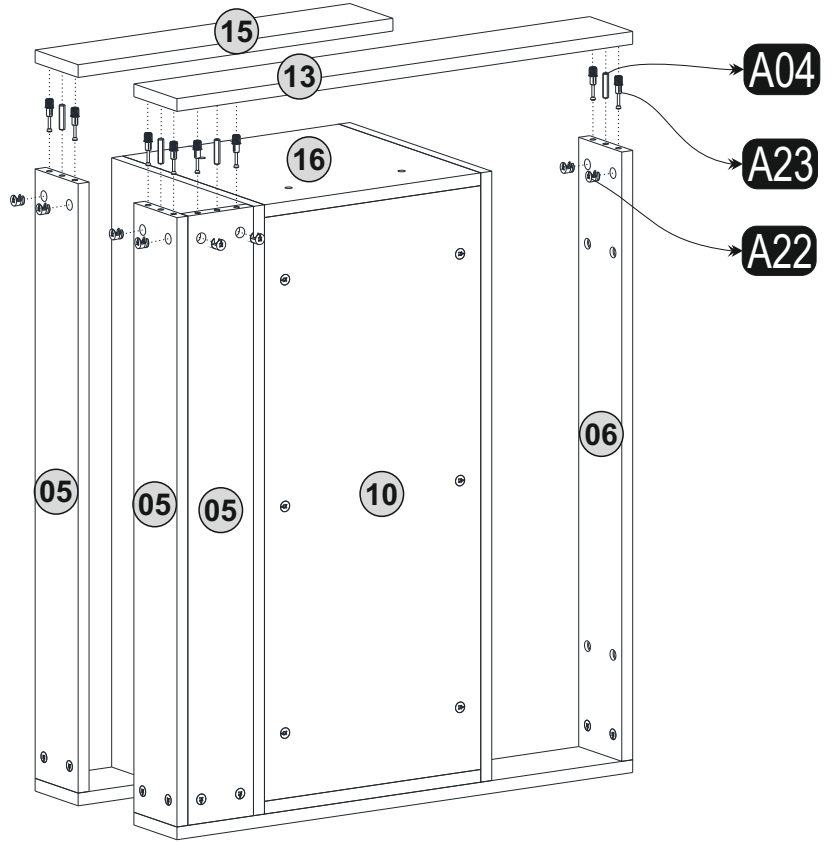
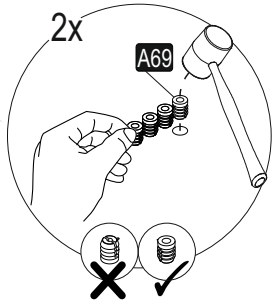
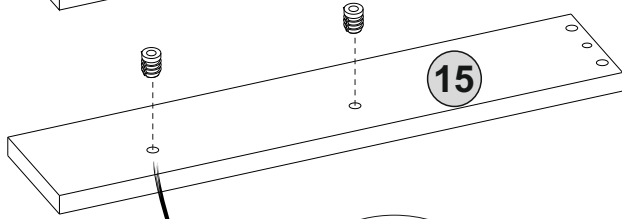
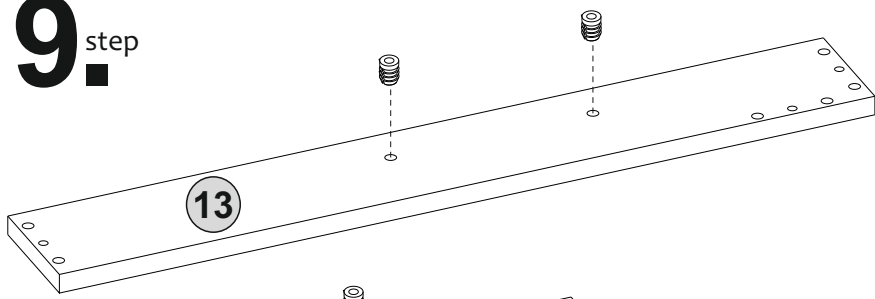
Rotate

# 8. step

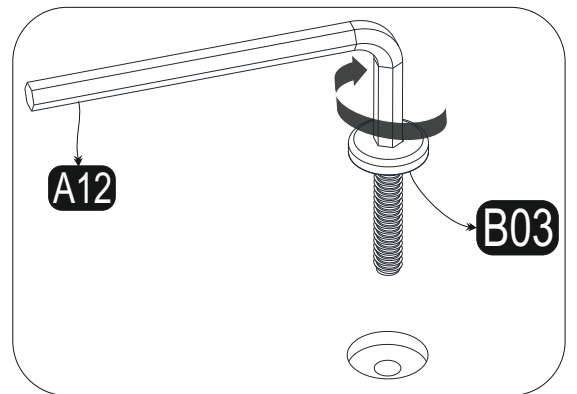
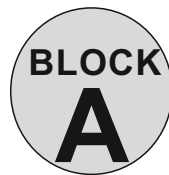
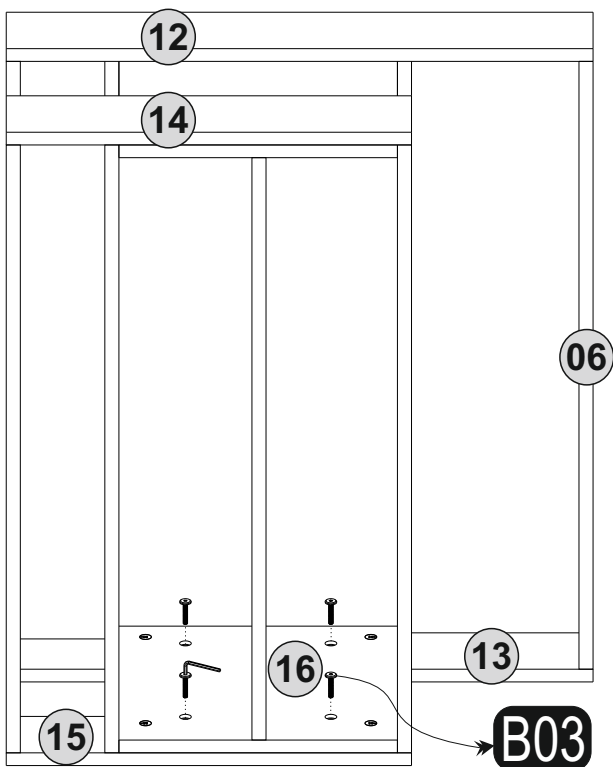
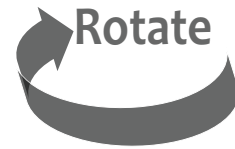




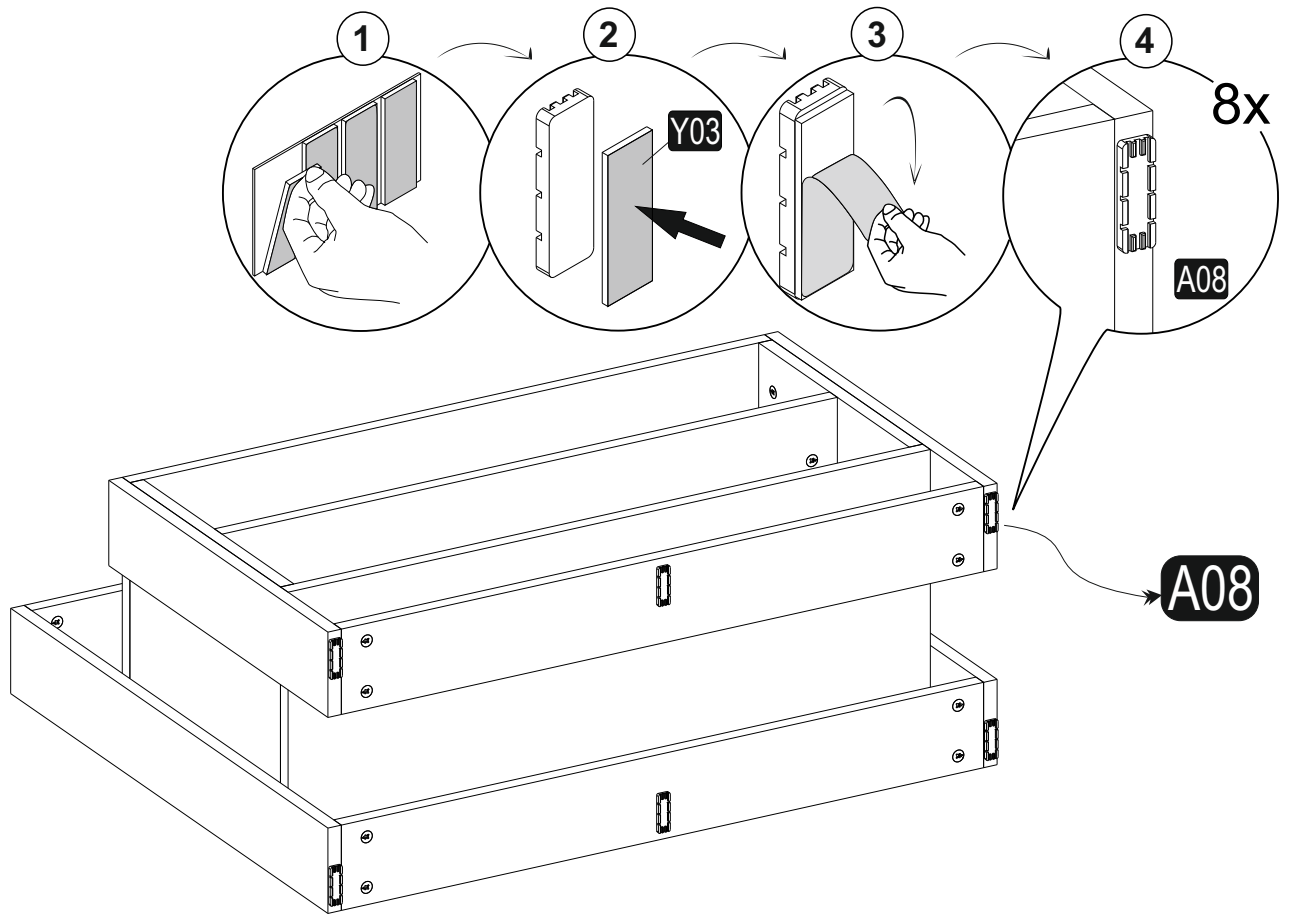
# 9. step



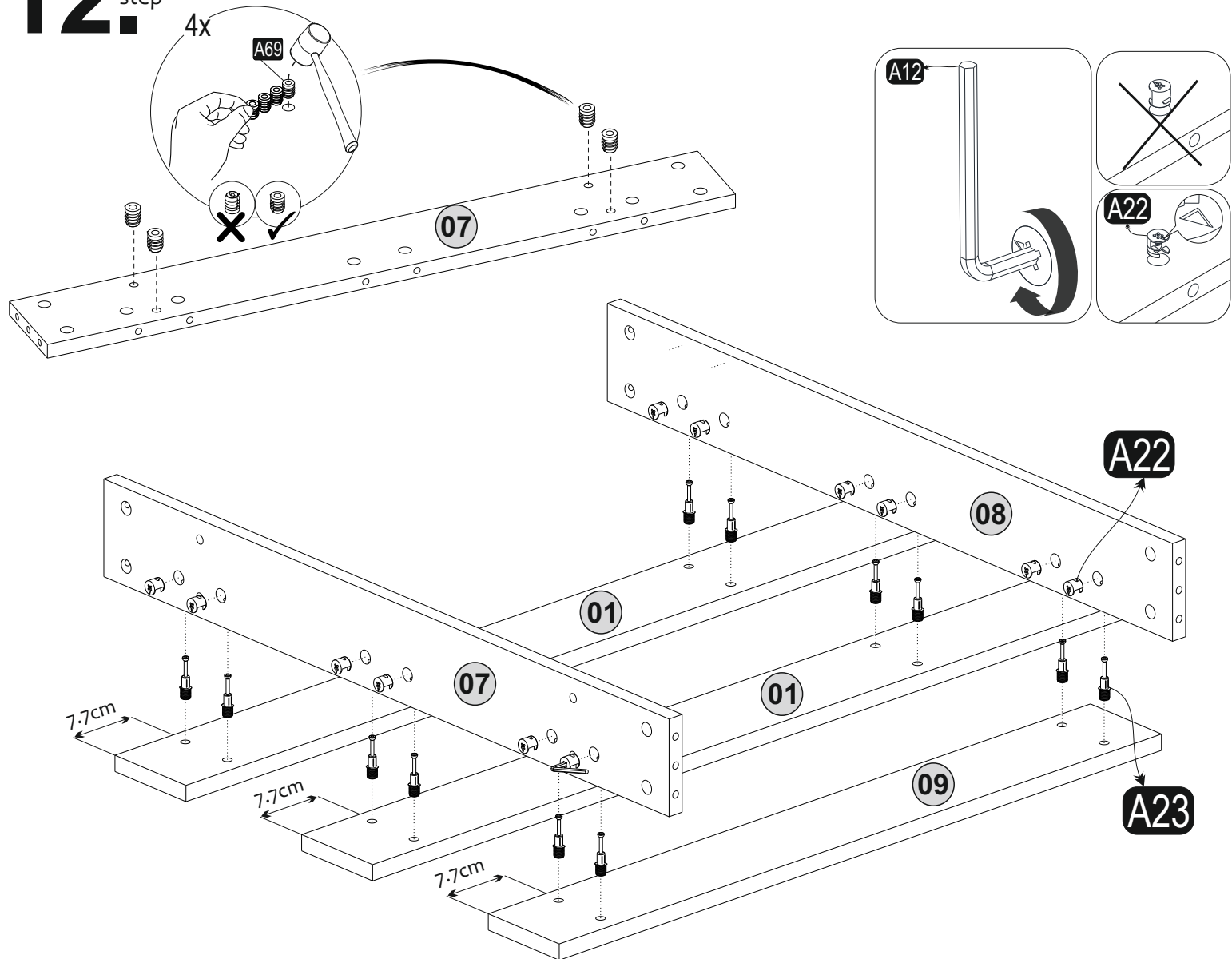
# 10. step



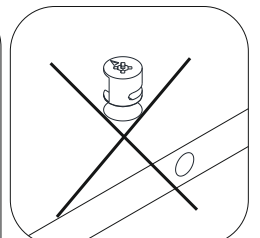
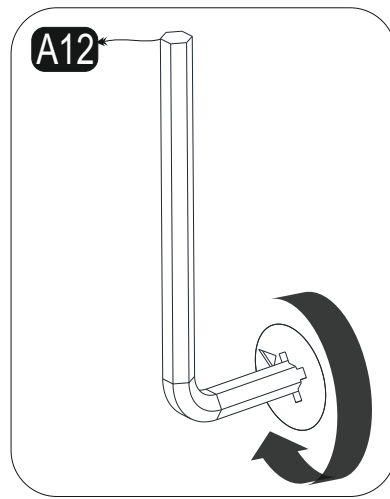
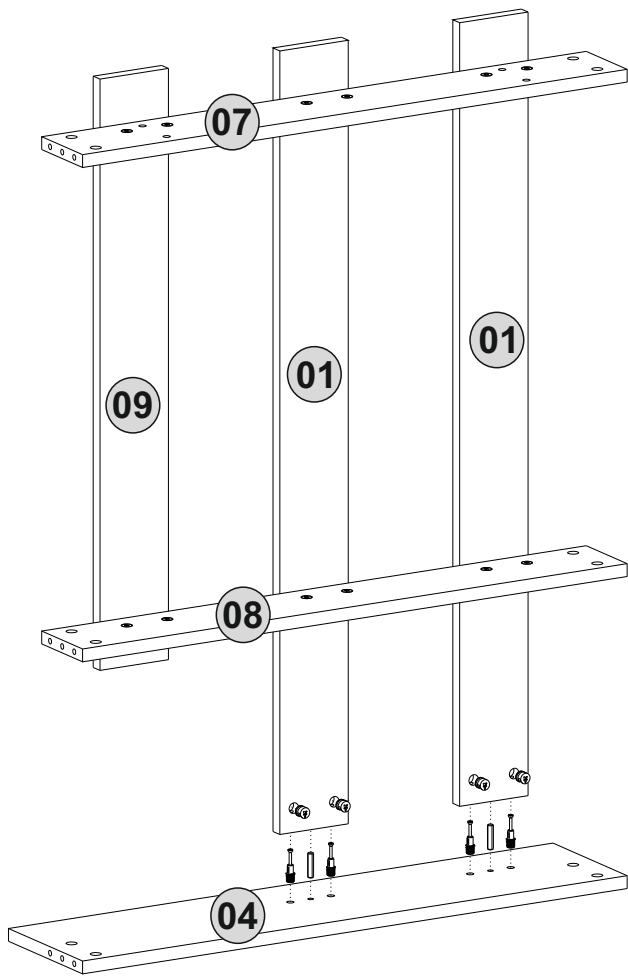
# 11. step



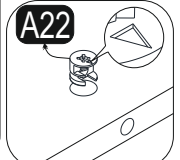
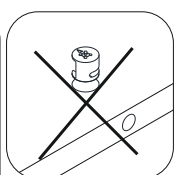
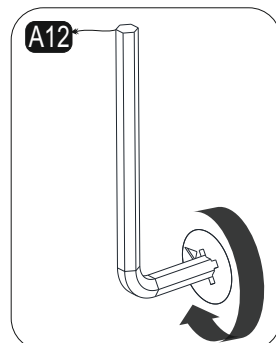
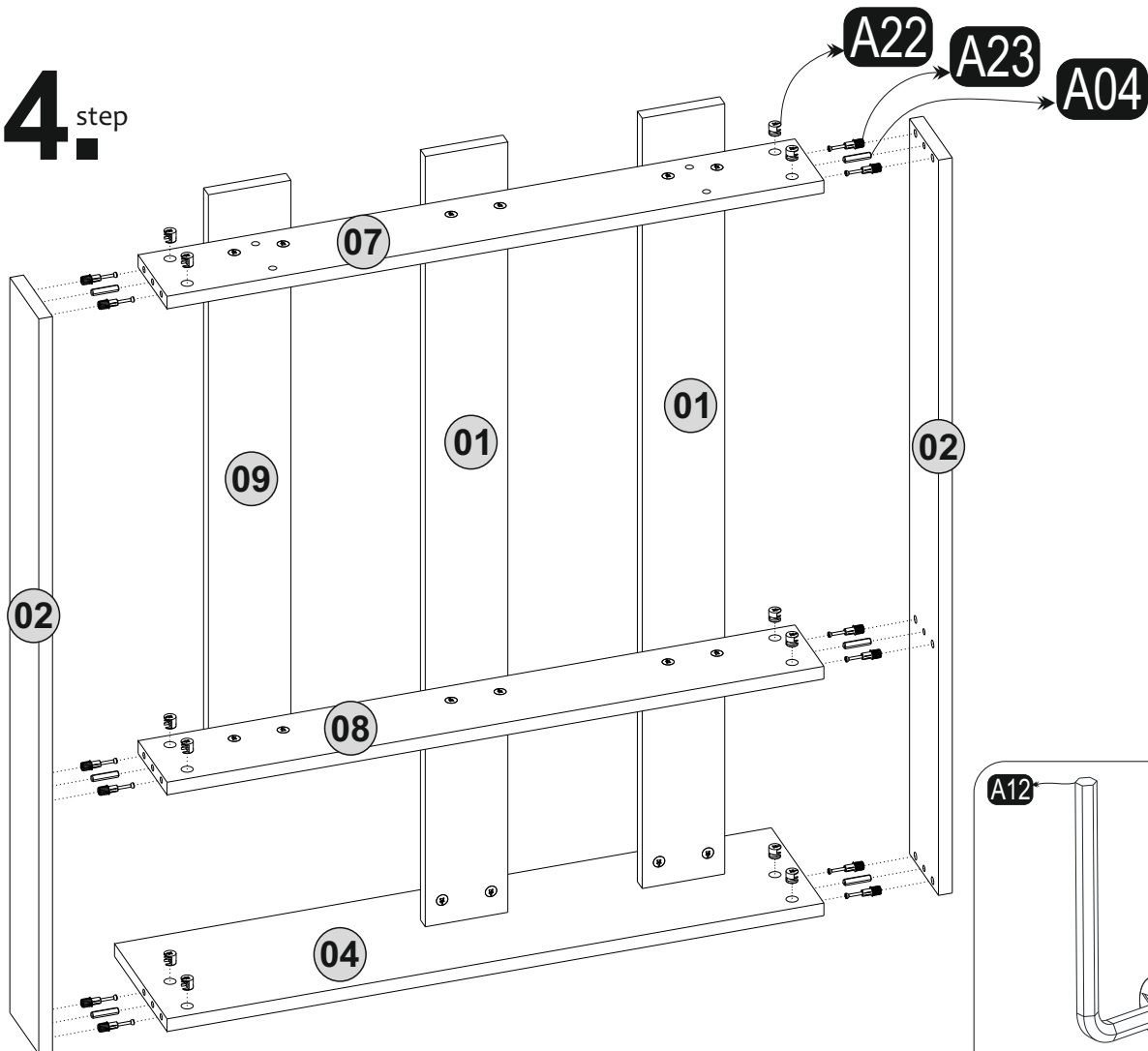
# 12. step



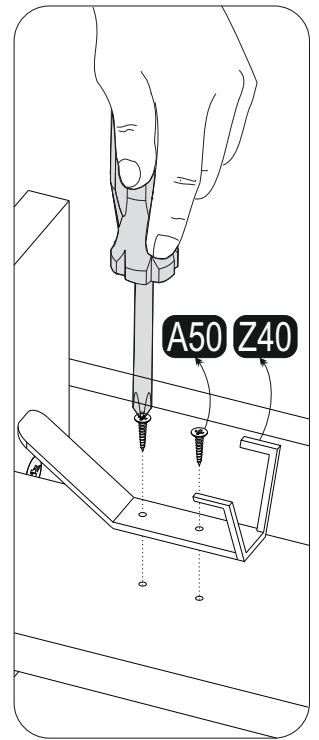
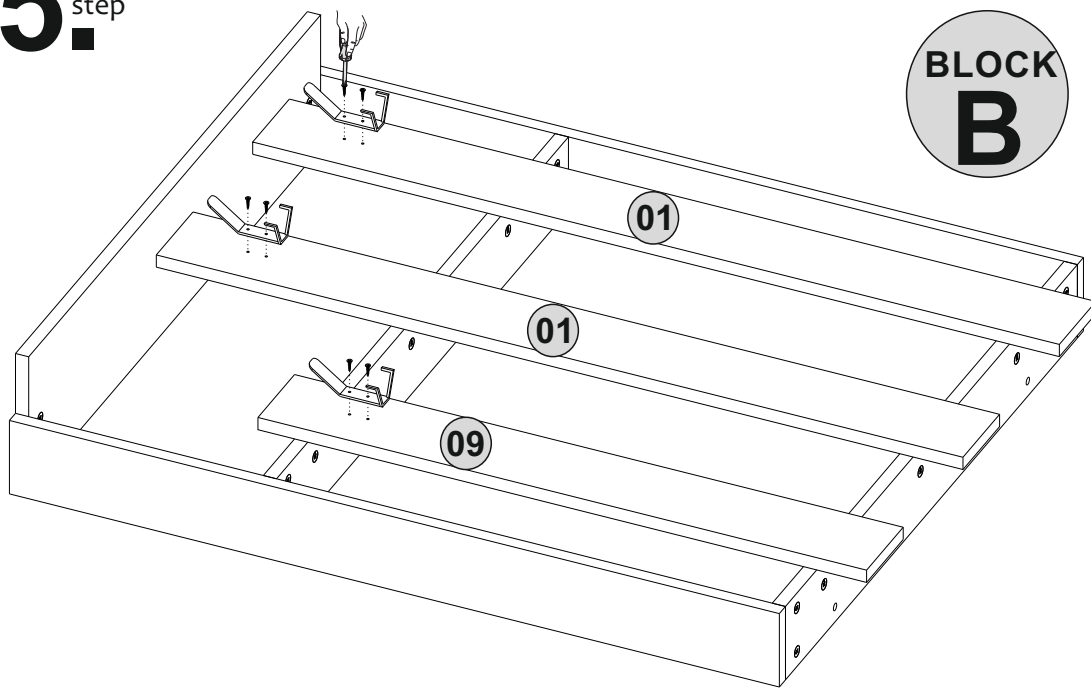
# 13. step



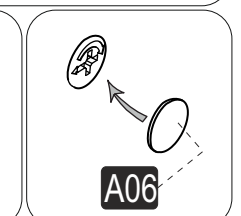
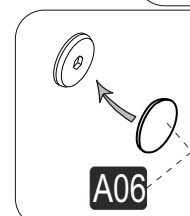
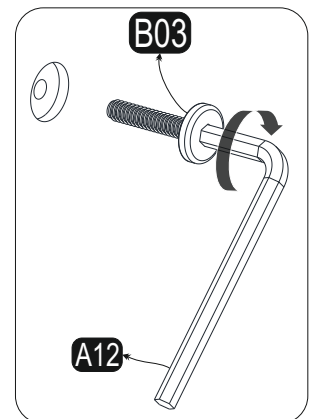
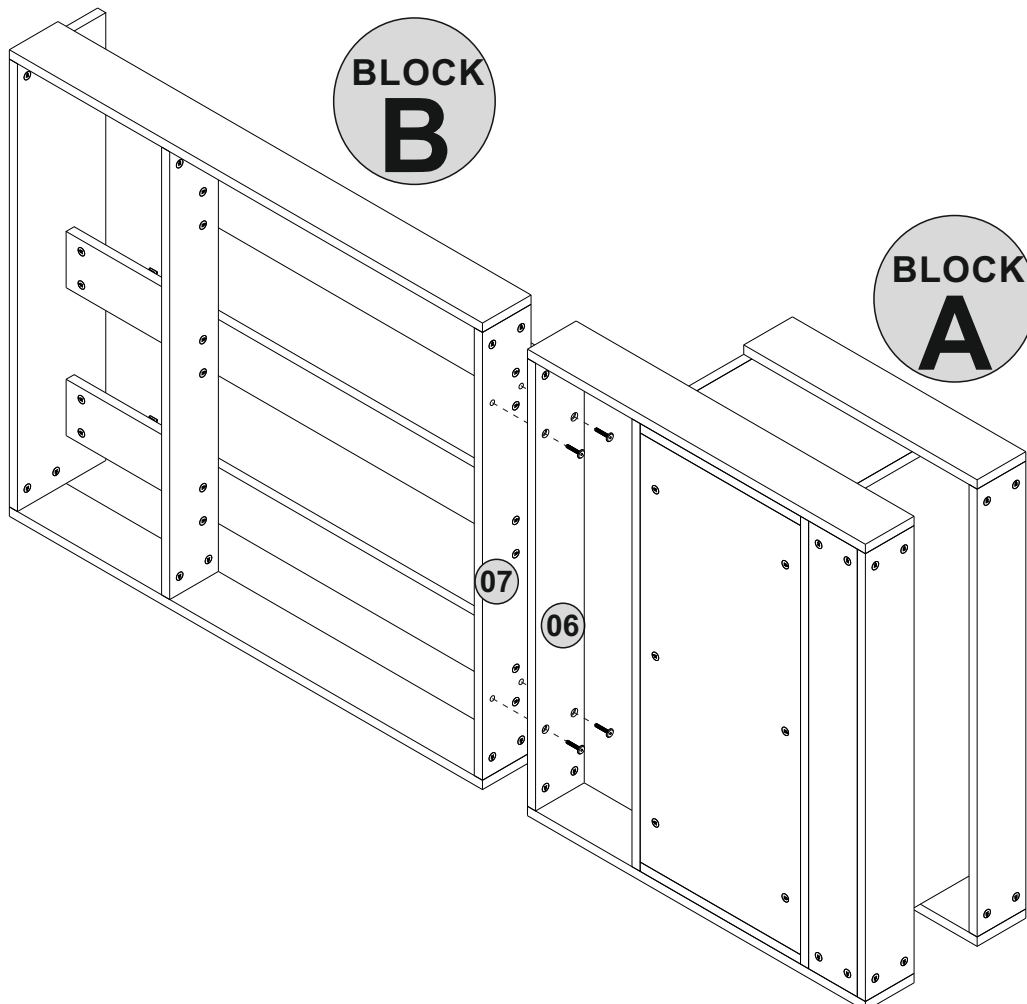
# 14. step



# 15<sup>step</sup>



# 16<sup>step</sup>



# 17. step

