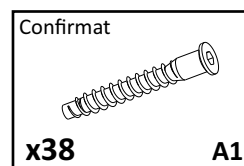
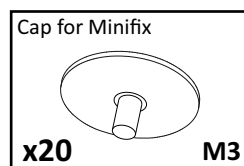
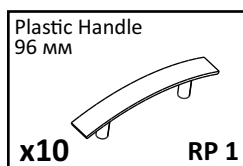
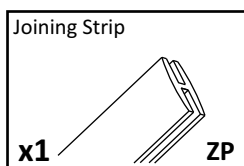
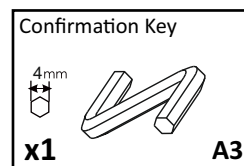
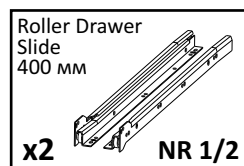
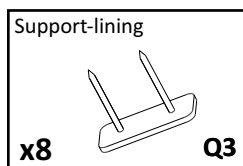
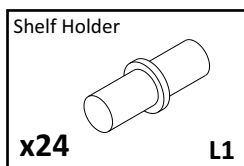
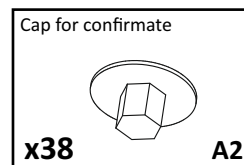
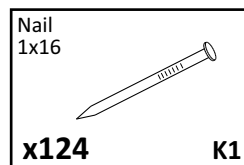
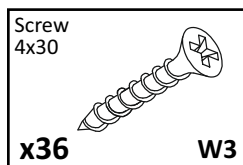
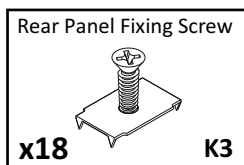
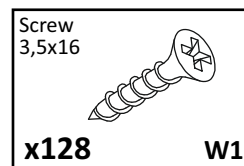
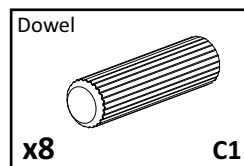
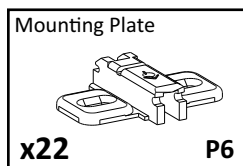
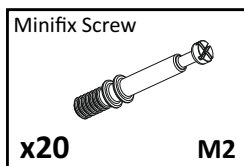
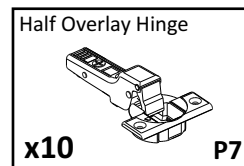
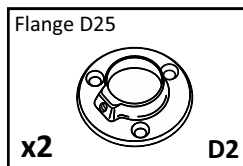
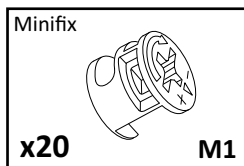
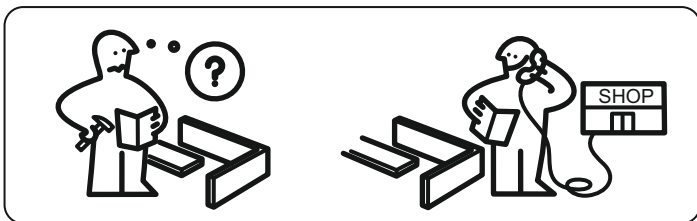
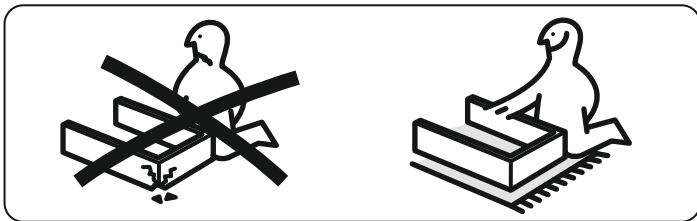
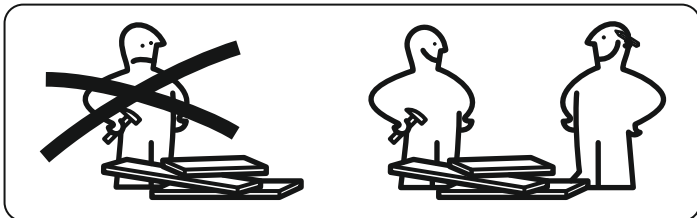


No	a*b	X	Pack
1	2284x560	1	4
2	2284x560	1	4
3	2000x580	1	3
4	1966x560	1	3
5	1966x560	1	3
6	1672x560	1	2
7	1672x560	1	2
8	1692x496	2	1
9	1246x496	1	1
10	1246x496	1	1
11	983x560	1	5
12	500x560	1	6
13	500x560	1	6
14	476x544	6	2
15	504x496	1	6
16	504x496	1	6
17	504x496	1	6
18	504x496	1	6
19	220x996	2	5
20	80x1966	1	3
21	1966x80	1	3
22	925x150	4	5
23	400x150	4	1
24	100x400	2	2
25	2216x498	4	4
26	957x400	2	4





## GENERAL TECHNICAL INSTRUCTIONS FOR FURNITURE ASSEMBLY

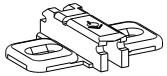
- CHECK COMPATIBILITY OF PARTS AND ACCESSORIES BEFORE ASSEMBLY.
- FOR FURNITURE ASSEMBLY, WE RECOMMEND USING THE SERVICES OF QUALIFIED SPECIALISTS.
- DO ASSEMBLY ON A SURFACE COVERED WITH CLOTH OR CARDBOARD TO PREVENT SCRATCHES.

## CARE AND MAINTENANCE OF FURNITURE

- KEEP THE FURNITURE FROM PROLONGED CONTACT WITH WATER OR HOT STEAM.
- ENSURE SUFFICIENT DISTANCE FROM ELECTRICAL APPLIANCES AND HEATERS.
- IF THERE IS DIRTY ON THE FURNITURE, REMOVE IT WITH A DAMP CLOTH AND THEN WIPE IT DRY. DO NOT USE ABRASIVE MATERIALS.

# 1

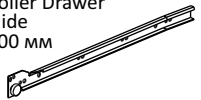
Mounting Plate



x22

P6

Roller Drawer Slide  
400 mm



x2

NR 1

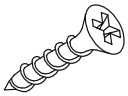
Minifix



x20

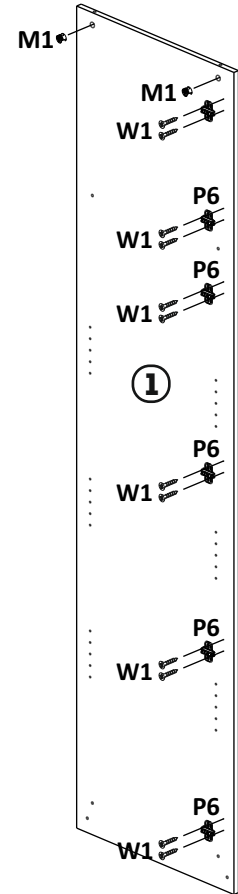
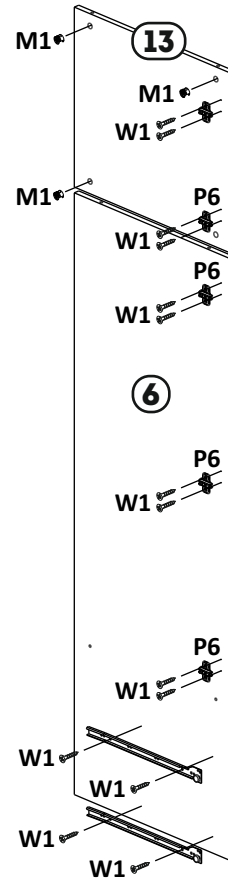
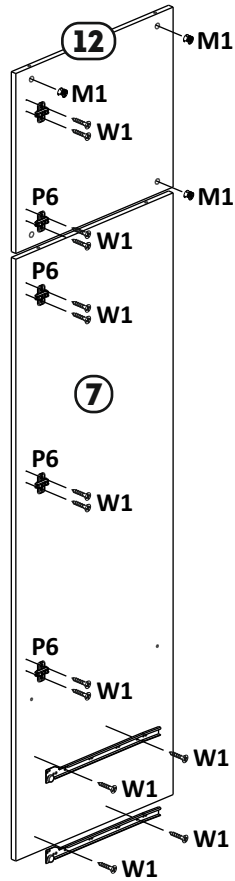
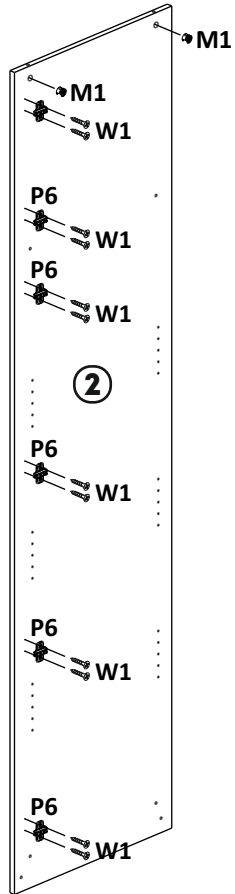
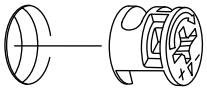
M1

Screw  
3,5x16



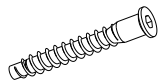
x52

W1



**2**

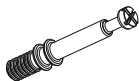
Confirmat



x6

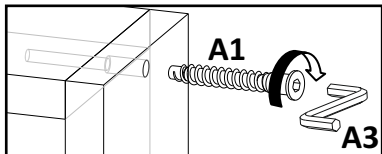
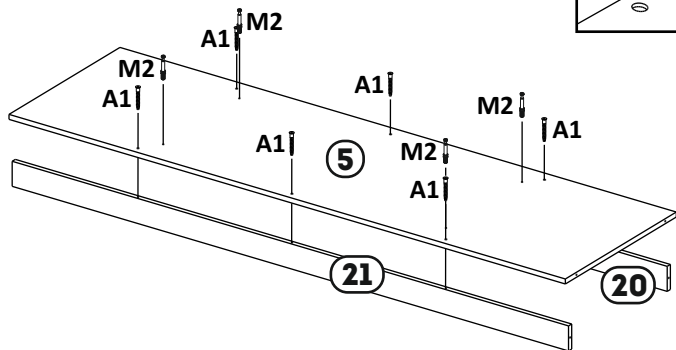
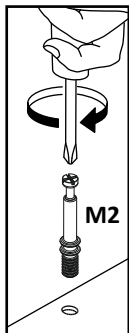
A1

Minifix Screw



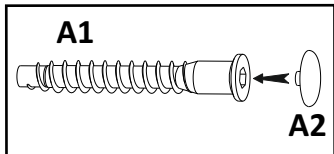
x4

M2



A1

A3

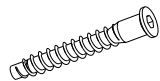


A1

A2

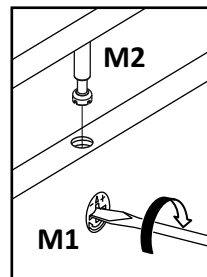
**3**

Confirmat



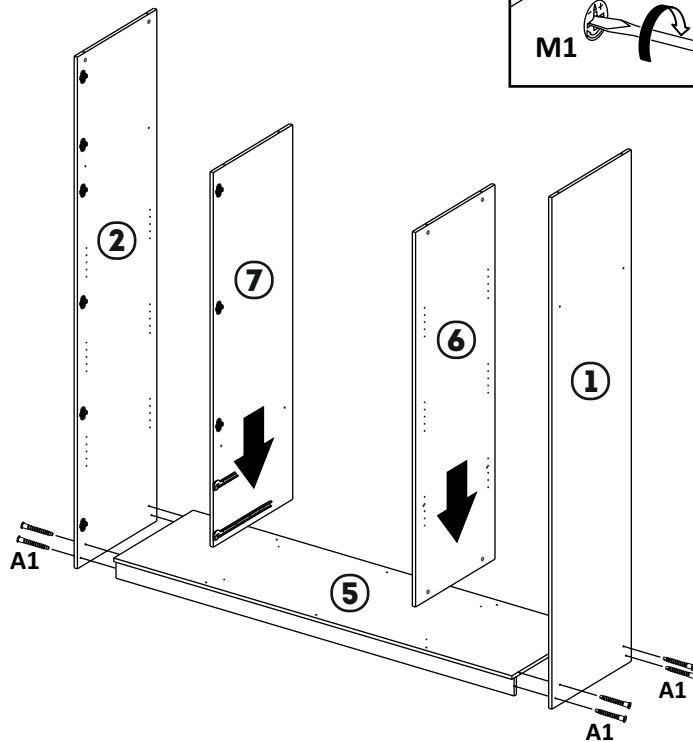
x8

A1



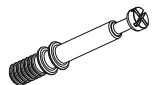
M2

M1

**6**

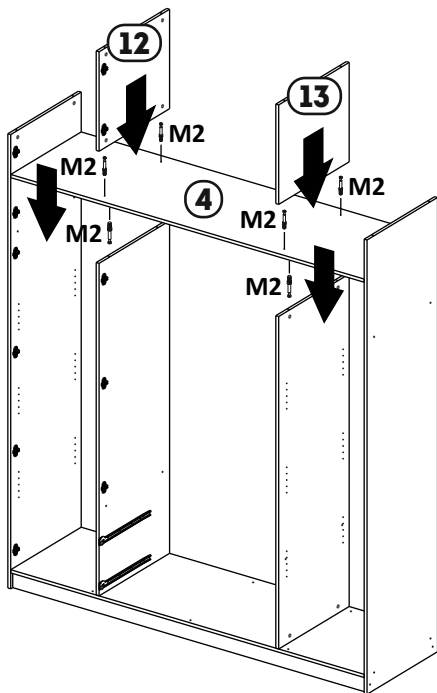
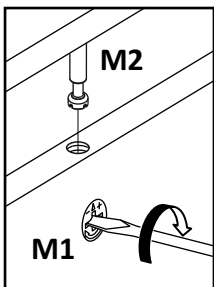
4

Minifix Screw



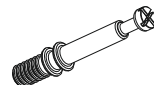
x8

M2



5

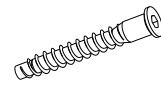
Minifix Screw



x8

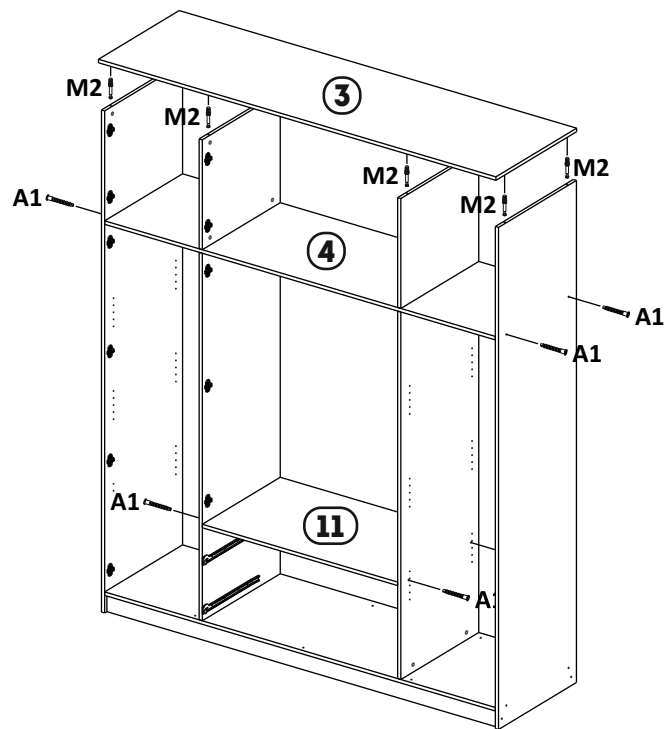
M2

Confirmat



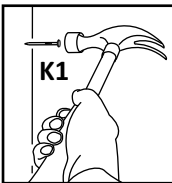
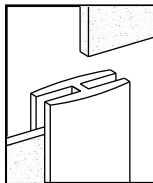
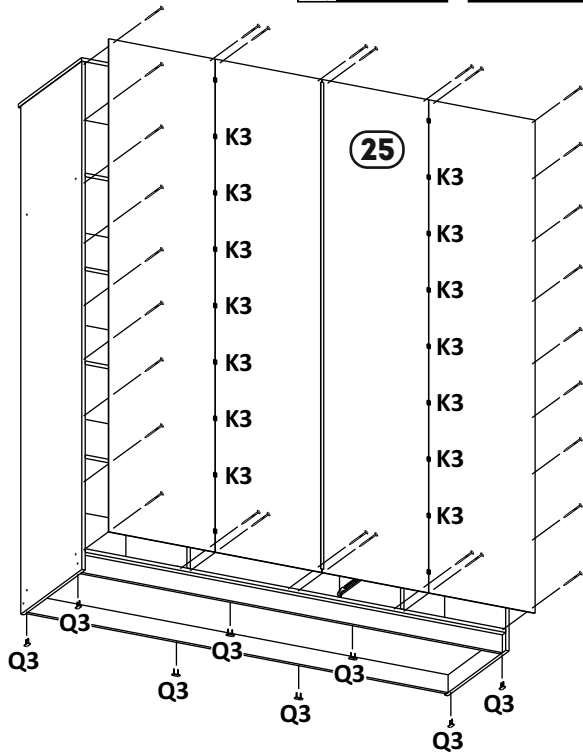
x8

A1

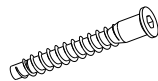


**6**

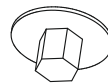
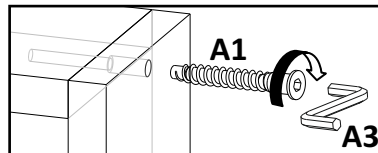
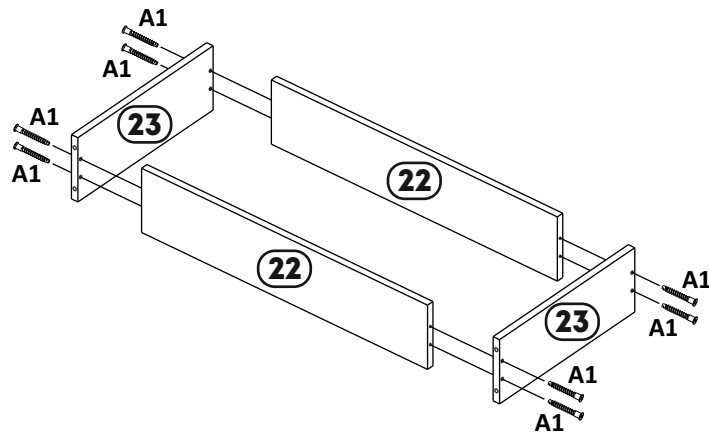
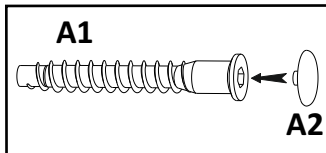
Rear Panel Fixing Screw

**x18****K3****K1****7**

Confirmat

**x8****A1**

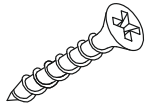
Cap for confirmate

**x8****A2****A1****A2****A3****A1****A2****8**



8

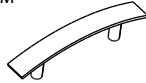
Screw  
4x30



x4

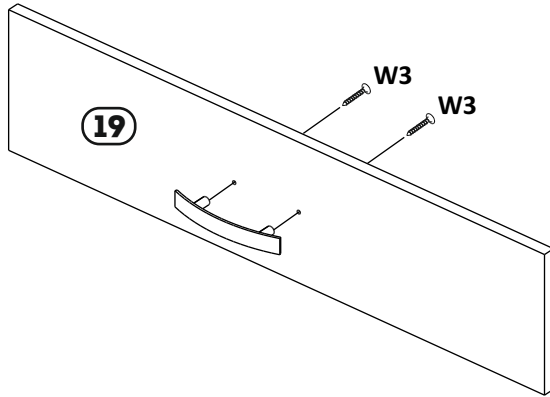
W3

Plastic Handle  
96 mm



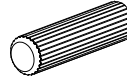
x2

RP 1



9

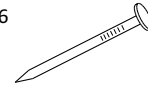
Dowel



x4

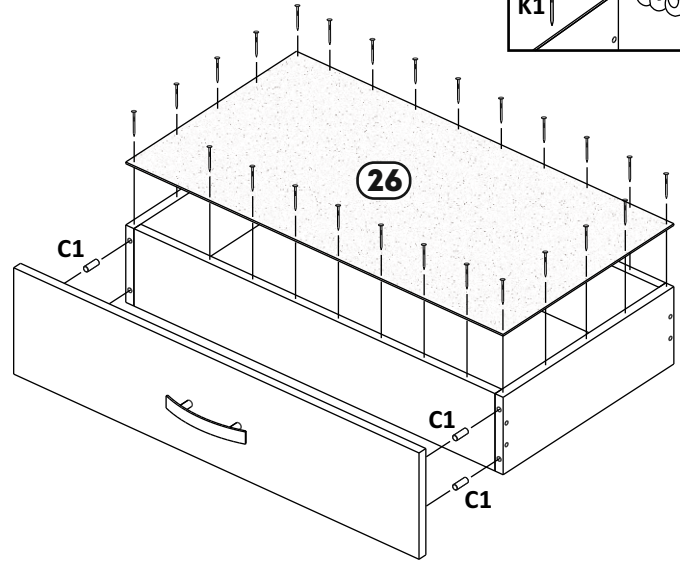
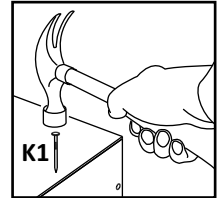
C1

Nail  
1x16



x26

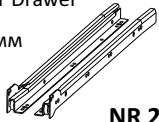
K1



# 10

Roller Drawer  
Slide  
400 mm

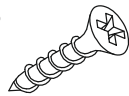
x1



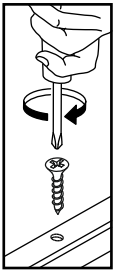
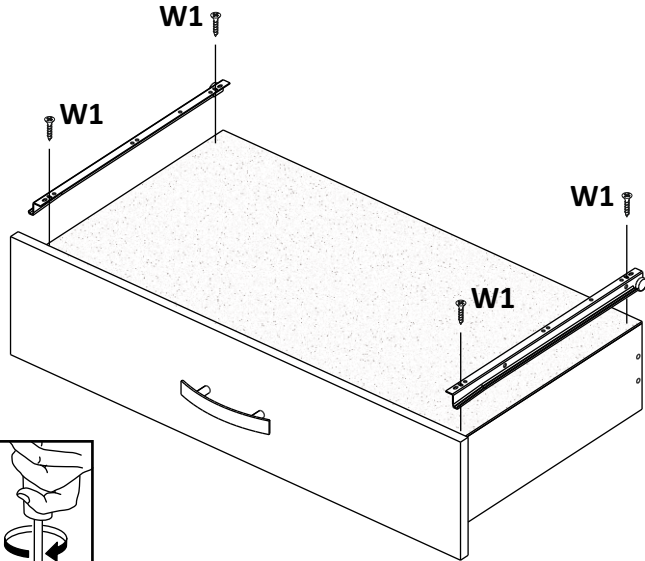
NR 2

Screw  
3,5x16

x4



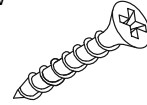
W1



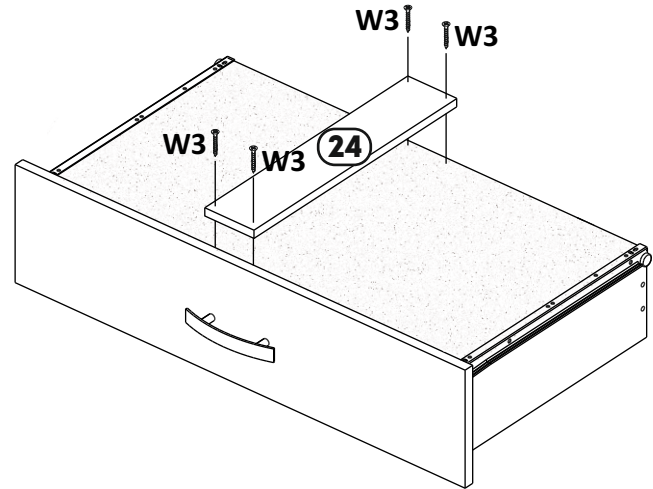
# 11

Screw  
4x30

x4

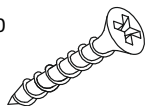


W3



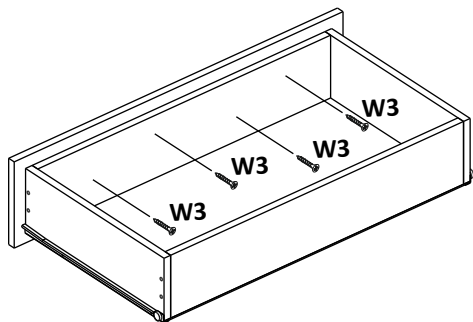
# 12

Screw  
3,5x30



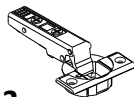
x4

W3



# 13

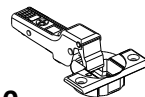
Full Overlay Hinge



x12

P5

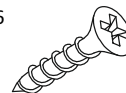
Half Overlay Hinge



x10

P7

Screw  
3,5x16



x44

W1

